



US00D709985S

(12) **United States Design Patent**
Deguchi

(10) **Patent No.:** **US D709,985 S**

(45) **Date of Patent:** **** Jul. 29, 2014**

(54) **FISHING REEL**

D595,806 S * 7/2009 Nago D22/140
D674,868 S * 1/2013 Deguchi et al. D22/140

(71) Applicant: **Shimano Inc.**, Osaka (JP)

* cited by examiner

(72) Inventor: **Tomoya Deguchi**, Osaka (JP)

Primary Examiner — Catheri Oliver-Garcia

(73) Assignee: **Shimano Inc.**, Osaka (JP)

(74) *Attorney, Agent, or Firm* — Global IP Counselors

(**) Term: **14 Years**

(57) **CLAIM**

The ornamental design for a fishing reel, as shown and described.

(21) Appl. No.: **29/457,380**

DESCRIPTION

(22) Filed: **Jun. 10, 2013**

(30) **Foreign Application Priority Data**

Dec. 17, 2012 (JP) 2012-030690

(51) **LOC (10) Cl.** **22-05**

(52) **U.S. Cl.**
USPC **D22/140**

(58) **Field of Classification Search**
USPC D22/137-142; 242/234-240, 223-224,
242/314-315, 318, 322-323, 370
See application file for complete search history.

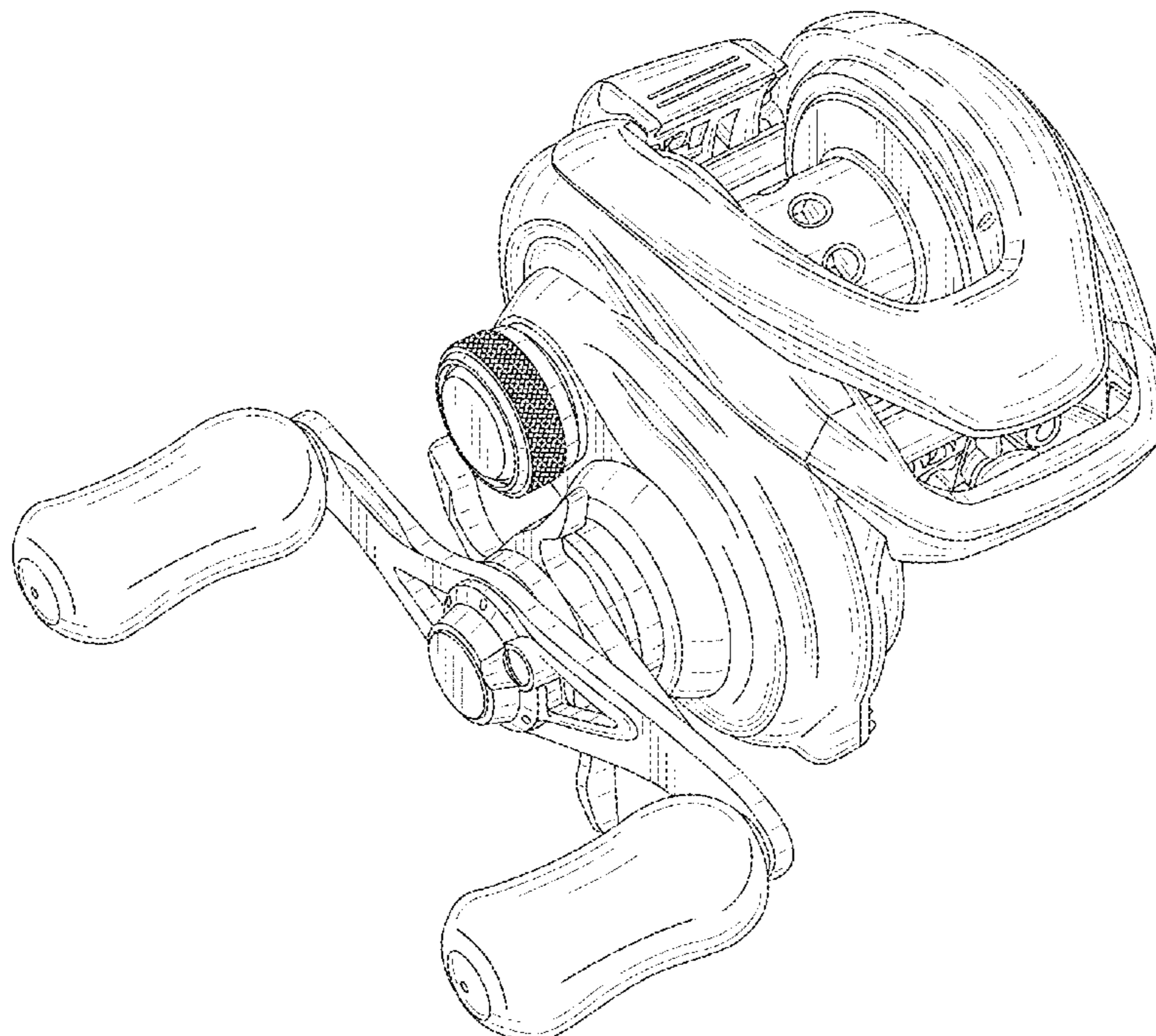
FIG. 1 is a top perspective view of a fishing reel in accordance with my new design;
FIG. 2 is a bottom perspective view of a fishing reel in accordance with my new design;
FIG. 3 is a first side elevational view of the fishing reel illustrated in FIG. 1;
FIG. 4 is a second side elevational view of the fishing reel illustrated in FIG. 1;
FIG. 5 is a top plan view of the fishing reel illustrated in FIG. 1;
FIG. 6 is a bottom plan view of the fishing reel illustrated in FIG. 1;
FIG. 7 is a rear elevational view of the fishing reel illustrated in FIG. 1; and,
FIG. 8 is a front elevational view of the fishing reel illustrated in FIG. 1.

(56) **References Cited**

U.S. PATENT DOCUMENTS

6,032,894 A * 3/2000 Chapman et al. 242/310
D579,075 S * 10/2008 Sekimoto et al. D22/140

1 Claim, 7 Drawing Sheets



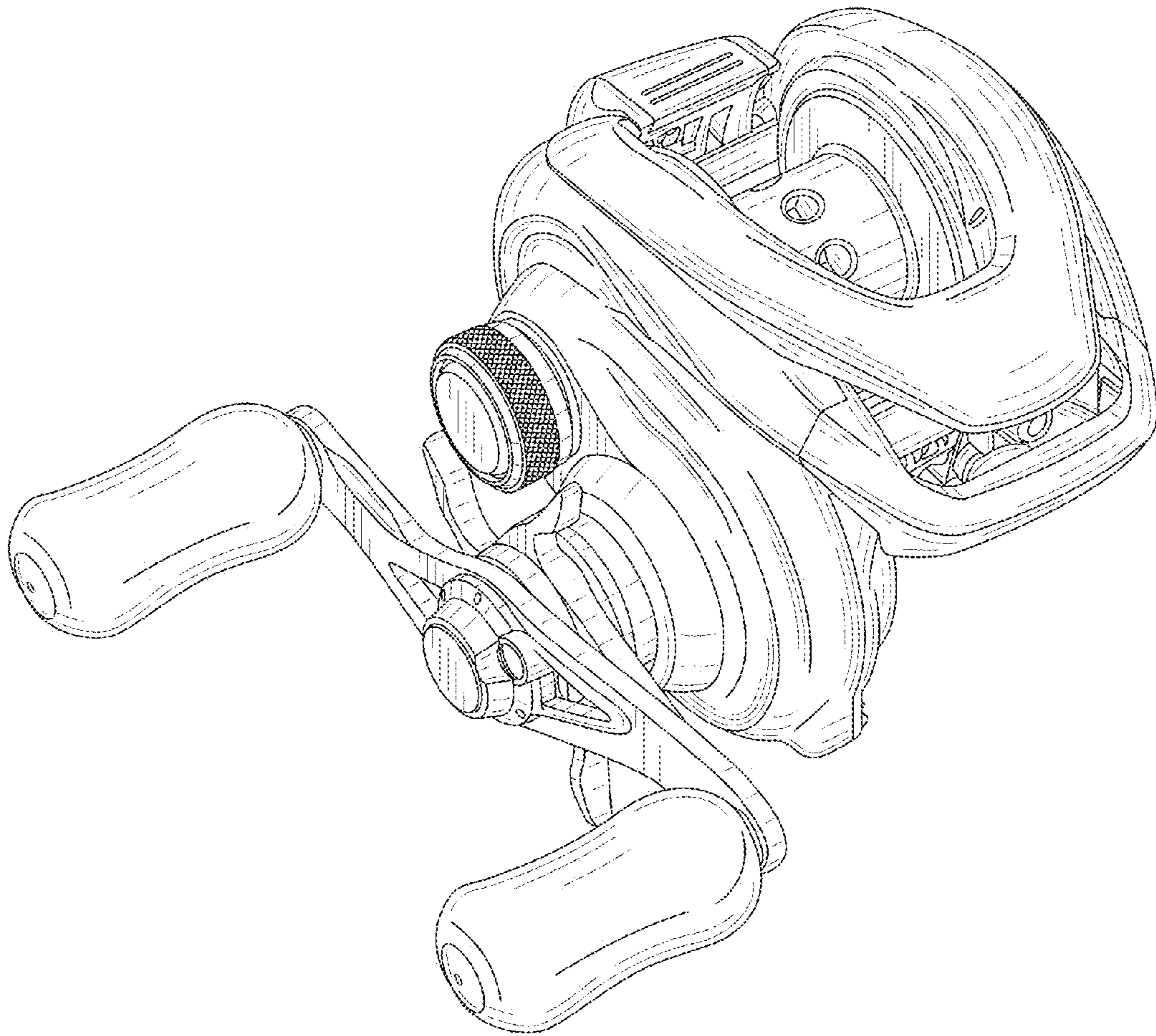


FIG. 1

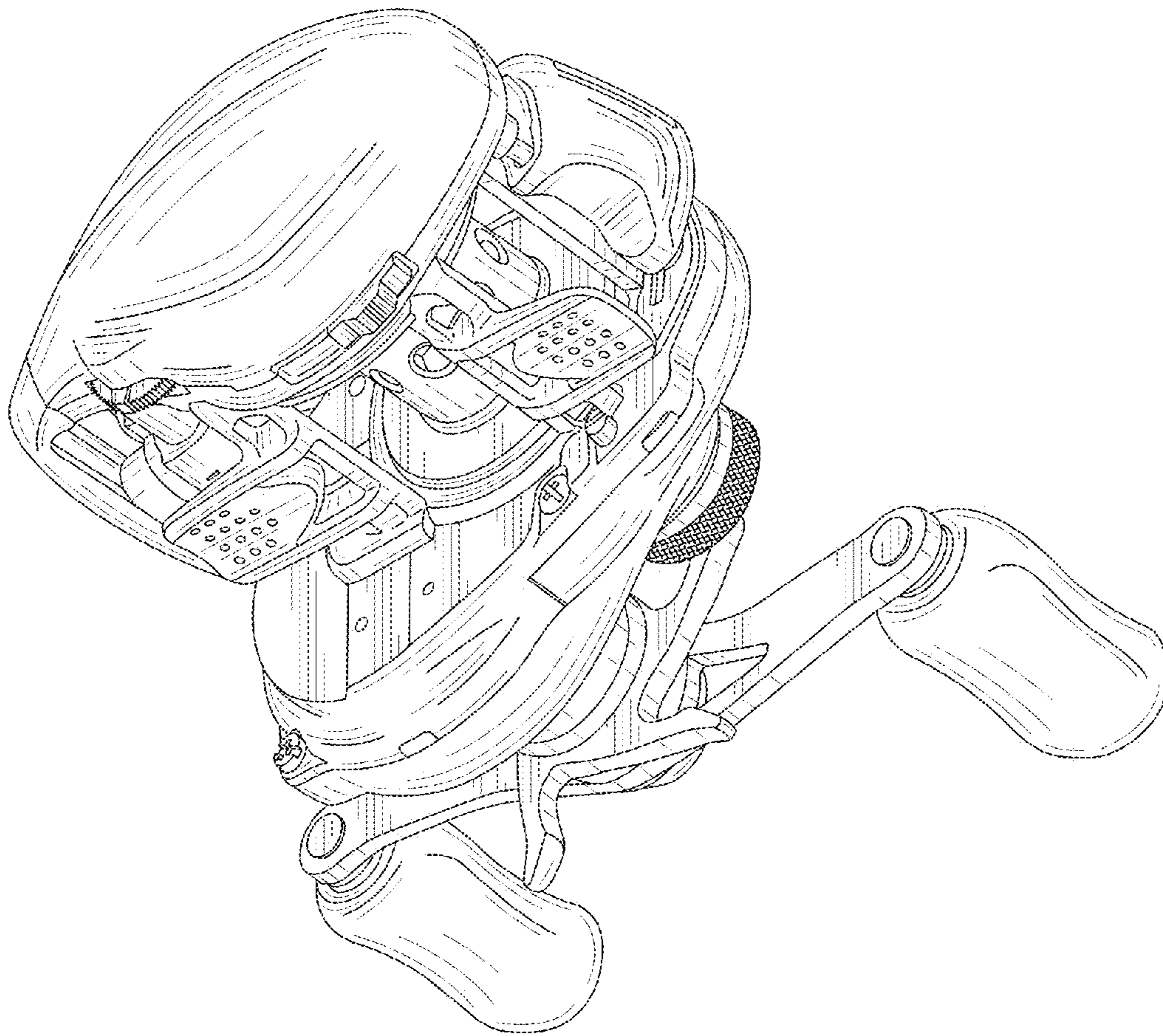


FIG. 2

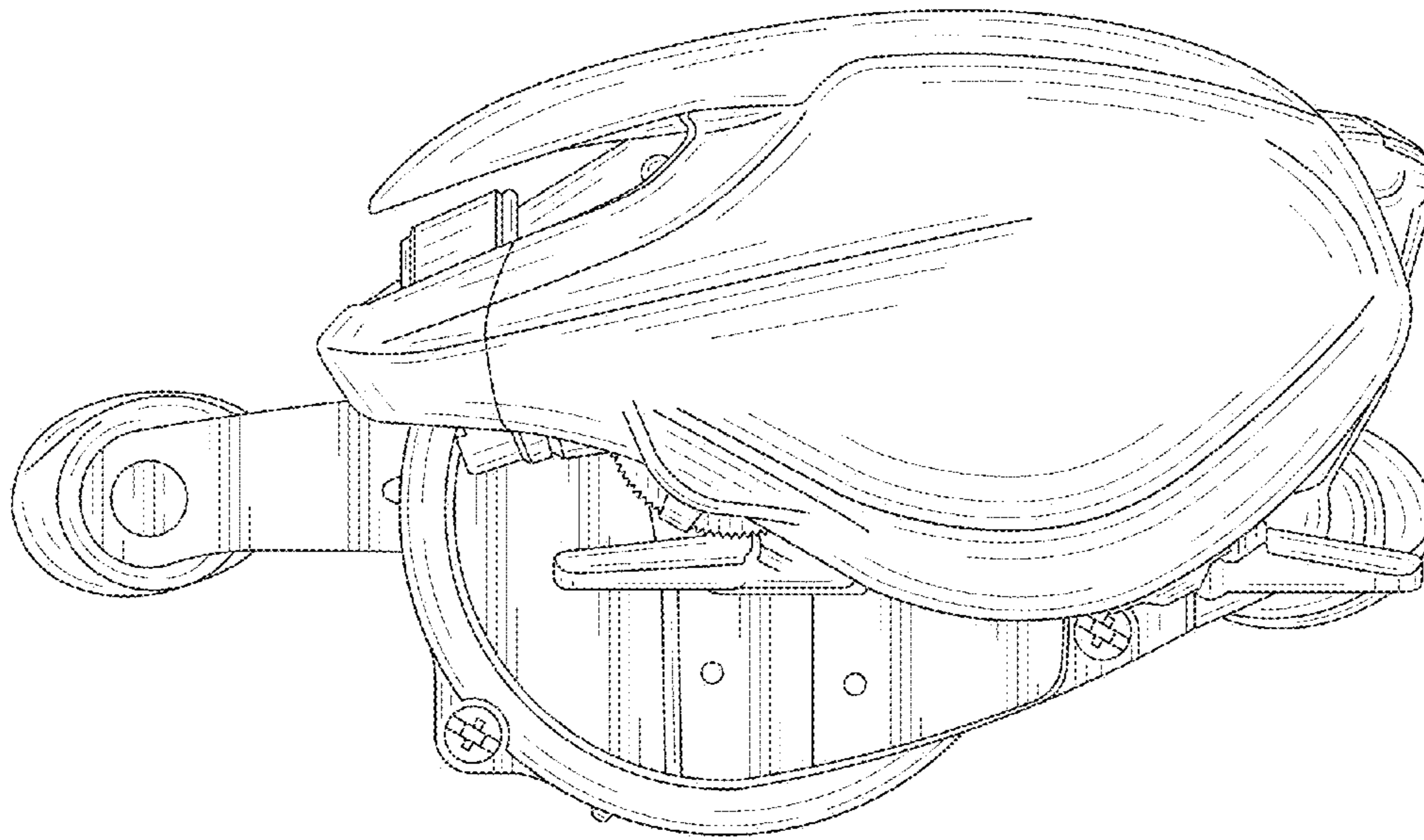


FIG. 3

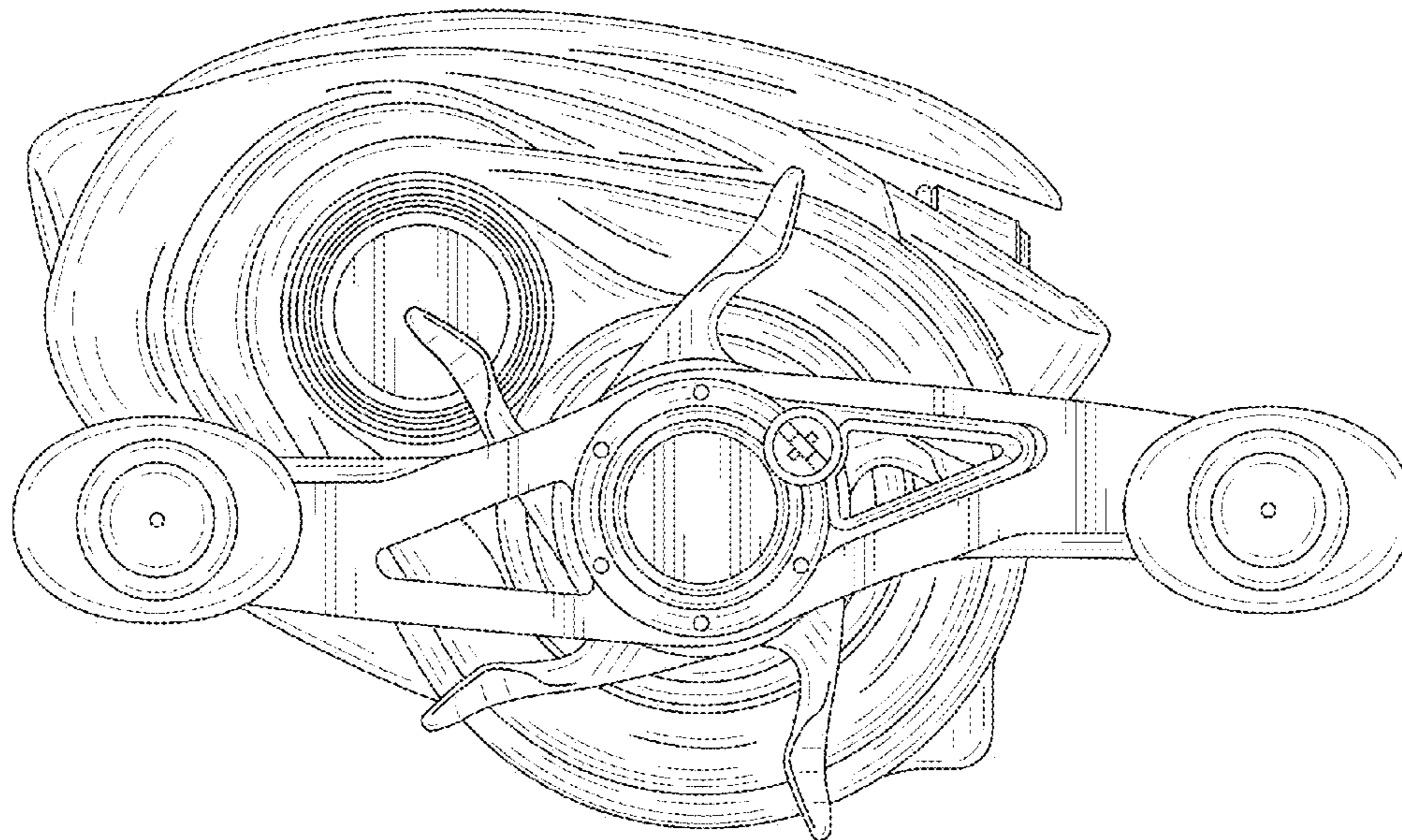


FIG. 4

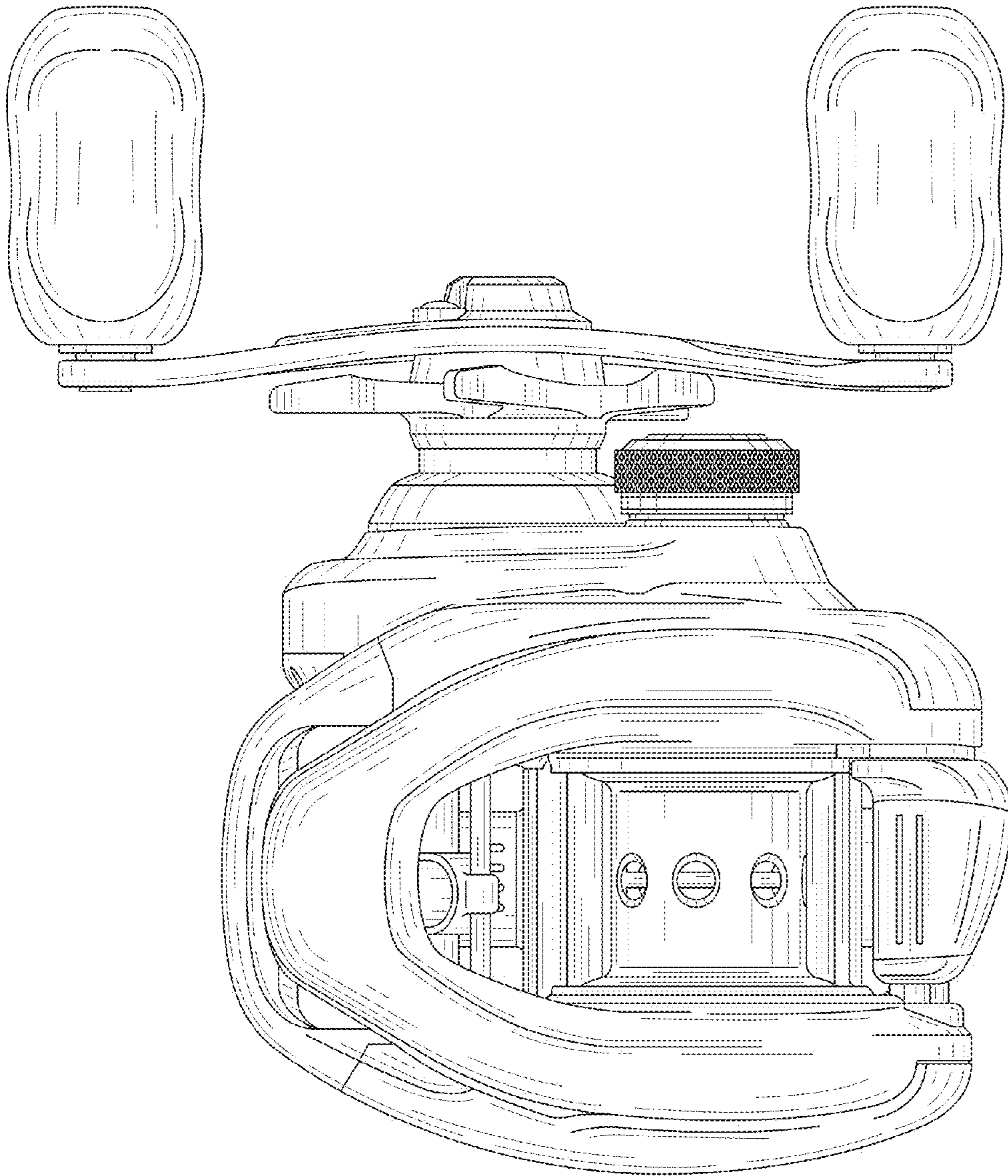


FIG. 5

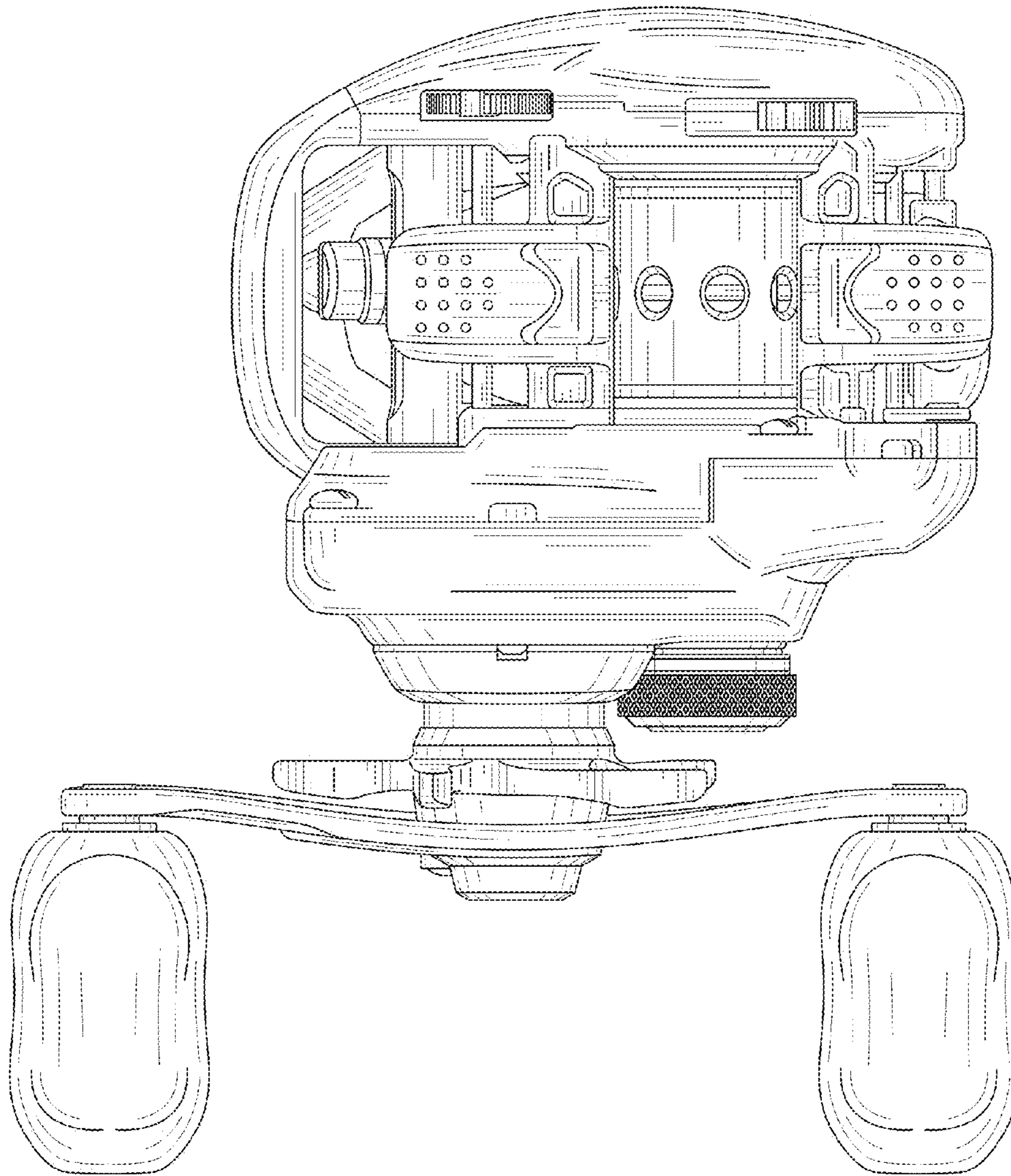


FIG. 6

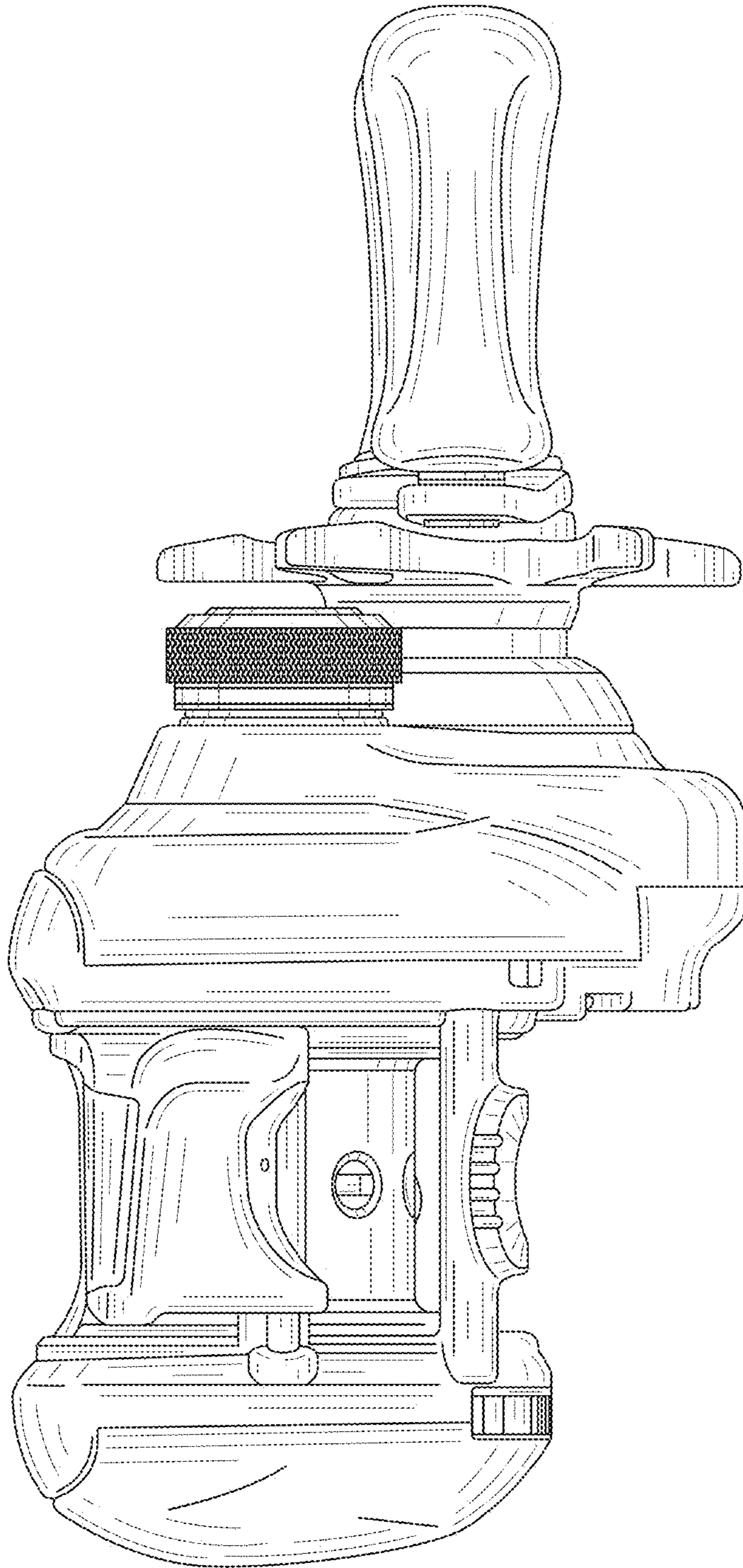


FIG. 7

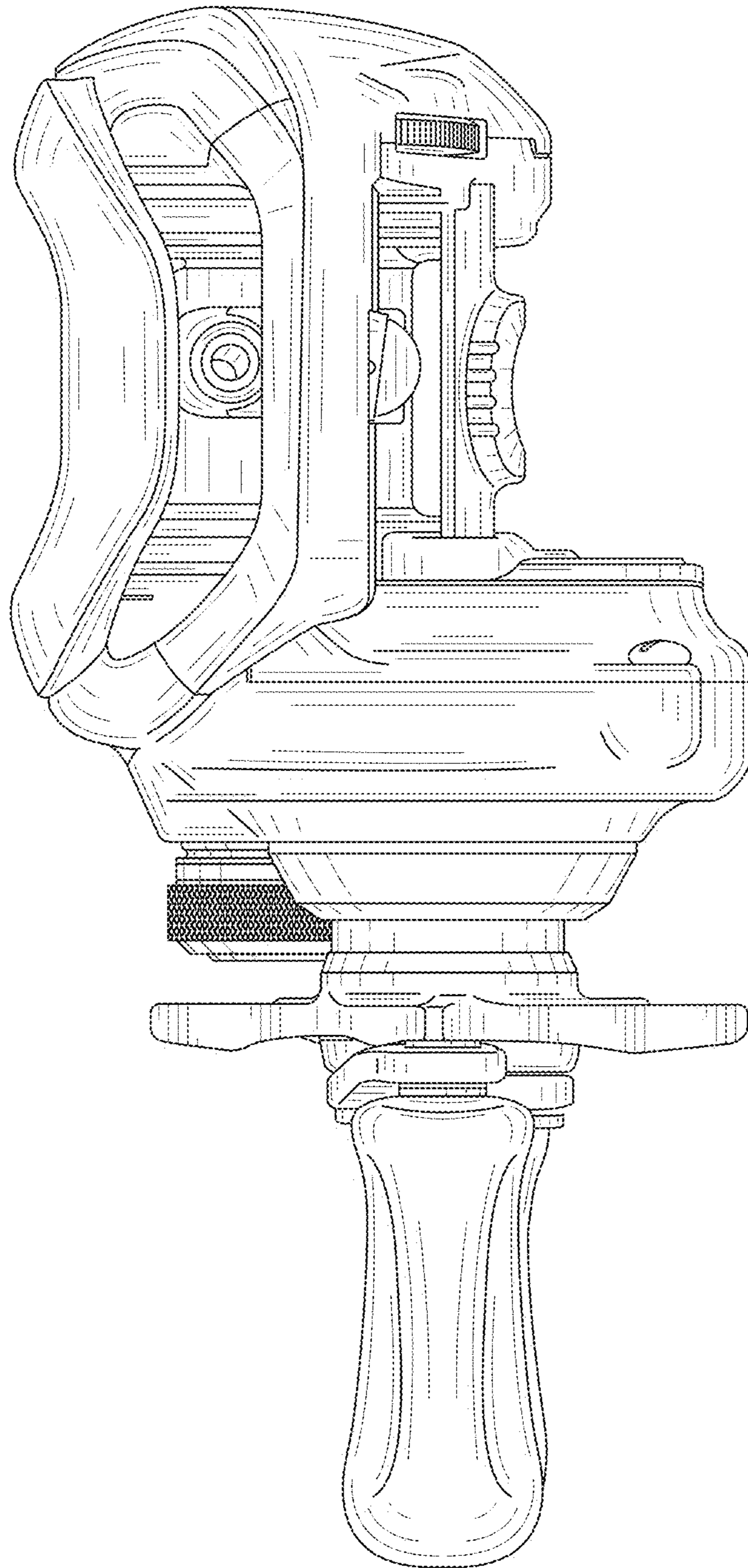


FIG. 8