



US00D709984S

(12) **United States Design Patent**
Cook, Jr. et al.

(10) **Patent No.:** **US D709,984 S**
(45) **Date of Patent:** **** Jul. 29, 2014**

(54) **FISHING LURE**

(71) Applicants: **Victor J. Cook, Jr.**, Columbus, OH
(US); **Grant Koppers**, Niagara-On-The-Lake (CA)

(72) Inventors: **Victor J. Cook, Jr.**, Columbus, OH
(US); **Grant Koppers**, Niagara-On-The-Lake (CA)

(73) Assignee: **Koppers Fishing & Tackle Corp** (CA)

(**) Term: **14 Years**

(21) Appl. No.: **29/459,955**

(22) Filed: **Jul. 5, 2013**

(51) **LOC (10) Cl.** **22-05**

(52) **U.S. Cl.**
USPC **D22/132**

(58) **Field of Classification Search**
CPC A01K 85/005; A01K 85/00; A01K 85/02;
A01K 85/16
USPC D22/126-133; 43/42.26, 42.39, 42.03,
43/42.08, 42.11, 42.12, 42.45, 42.13,
43/42.28, 26.2, 42.1, 42.36, 42.43
See application file for complete search history.

(56) **References Cited**

U.S. PATENT DOCUMENTS

4,962,609	A *	10/1990	Walker	43/42.06
7,310,906	B1 *	12/2007	Woller, Sr.	43/42.31
D587,335	S *	2/2009	Tsai	D22/131
D619,197	S *	7/2010	Anderson et al.	D22/131
D624,146	S *	9/2010	Minkler	D22/126
7,827,730	B1 *	11/2010	Jensen et al.	43/42.31
D676,099	S *	2/2013	Cook et al.	D22/132

OTHER PUBLICATIONS

Author: Koppers Fishing and Tackle Corp.; Title: LiveTarget Master Catalog 2012; Item: Catalog; Date: 2012; Pages: cover, back, pp. 3,4; Vol No: none; Paublisher: Koppers. Fishing and Tackle Corp.; City-country: Niagara-On-The-Lake, Canada.

* cited by examiner

Primary Examiner — Catheri Oliver-Garcia

(74) *Attorney, Agent, or Firm* — Wm. Cates Rambo

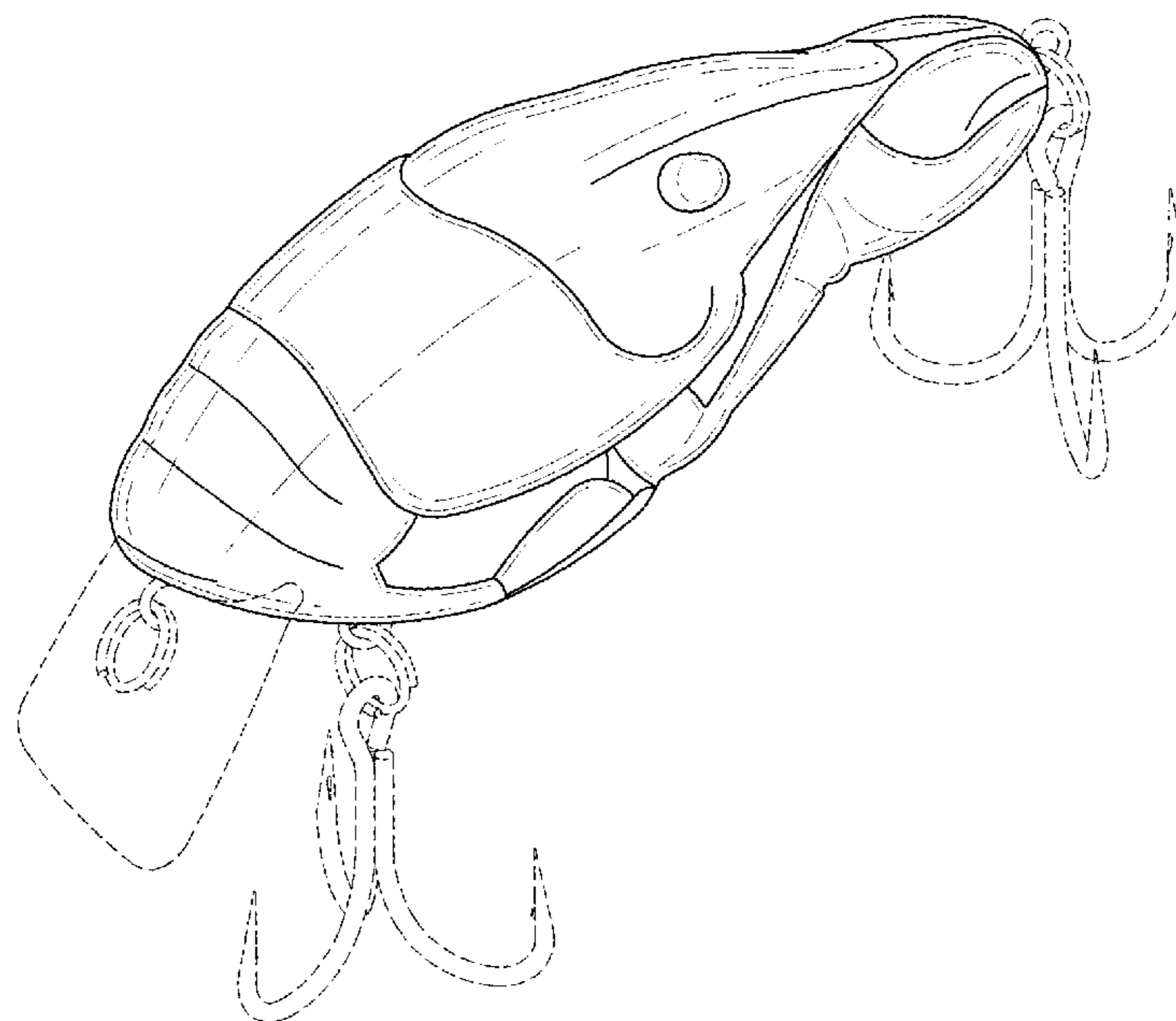
(57) **CLAIM**

The ornamental design for a fishing lure, as shown and described.

DESCRIPTION

FIG. 1 is a perspective view of a fishing lure; FIG. 2 is a right side elevational view thereof; FIG. 3 is a left side elevational view thereof; FIG. 4 is a top plan view thereof; FIG. 5 is a bottom plan view thereof; FIG. 6 is a rear elevational view thereof; FIG. 7 is a front elevational view thereof; FIG. 8 is a perspective view of a modified form of the fishing lure; FIG. 9 is a right side elevational view of the modified form; FIG. 10 is a left side elevational view of said modified form; FIG. 11 is a top plan view of said modified form; FIG. 12 is a bottom plan view of the modified form; FIG. 13 is a rear elevational view of the modified form; and, FIG. 14 is a front elevational view of the modified form. The portions shown in broken lines are included for illustrative purposes only and form no part of the claimed design.

1 Claim, 6 Drawing Sheets



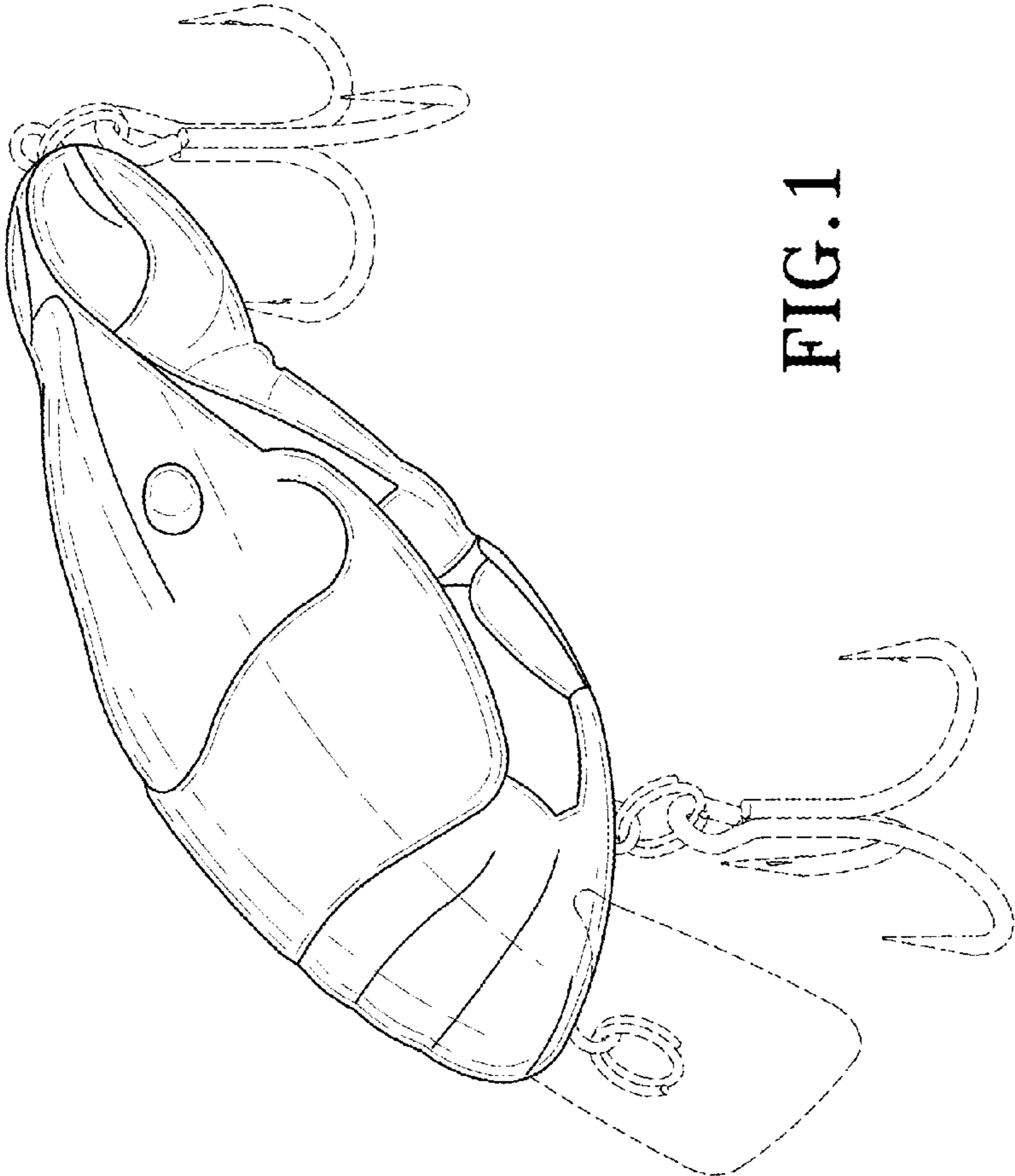


FIG. 1

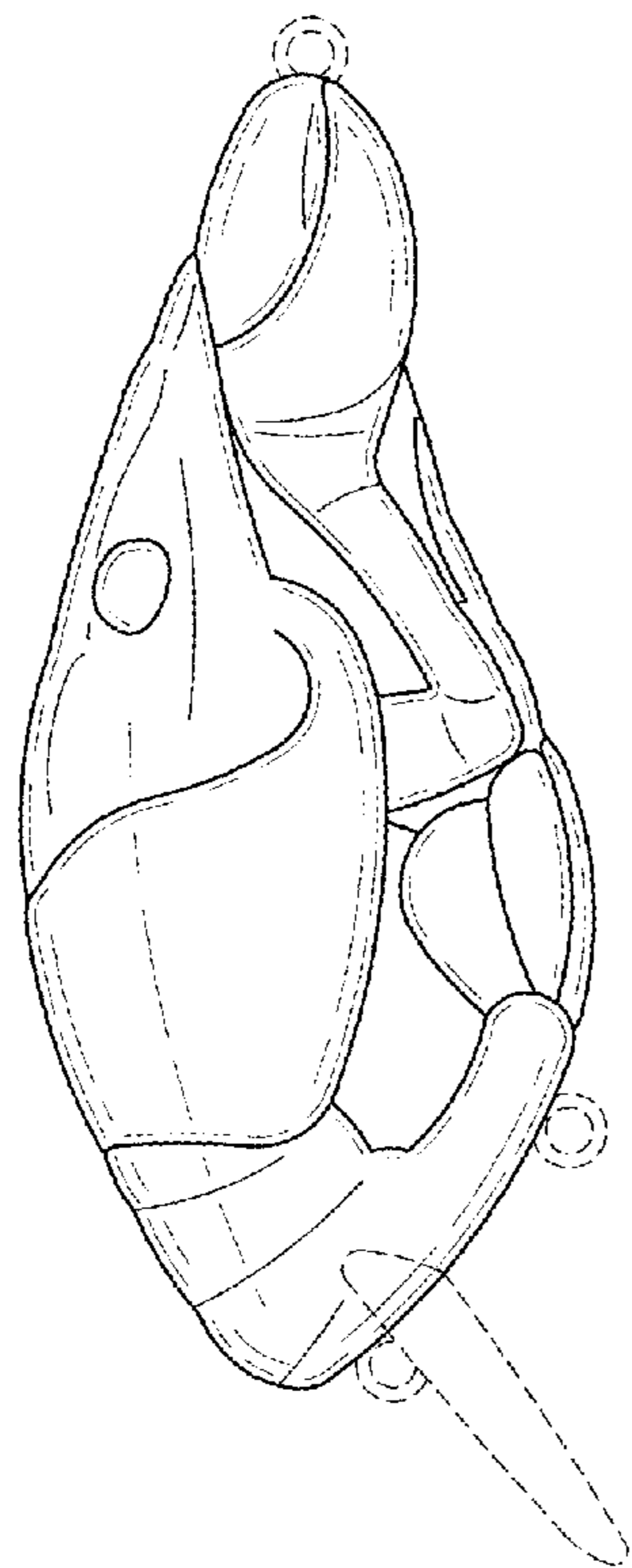


FIG. 2



FIG. 3

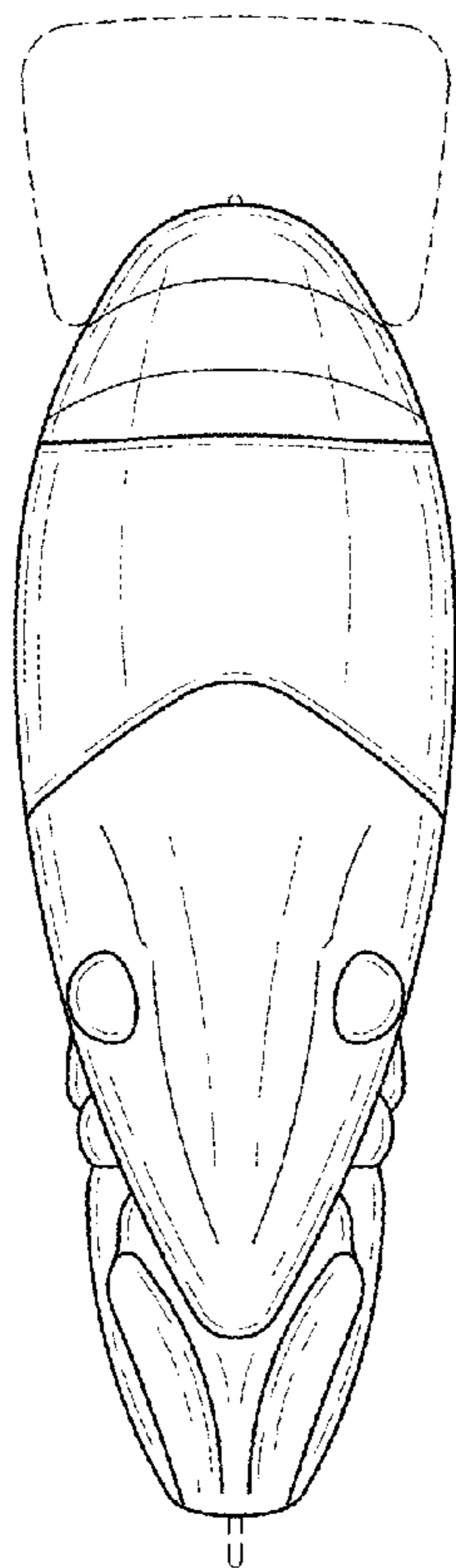


FIG. 4

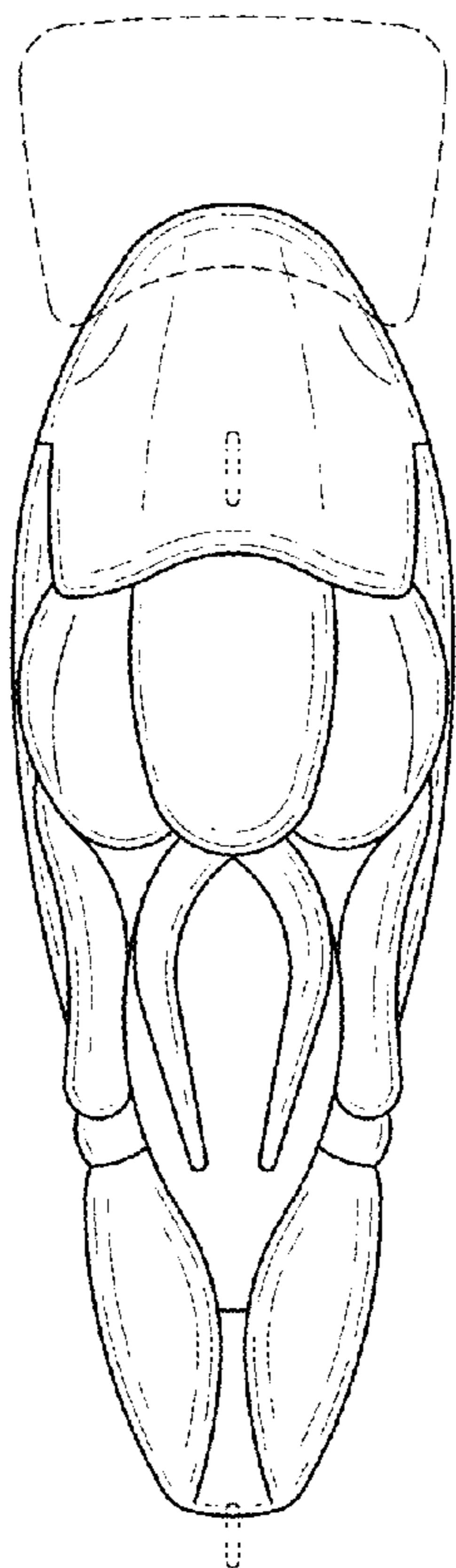


FIG. 5

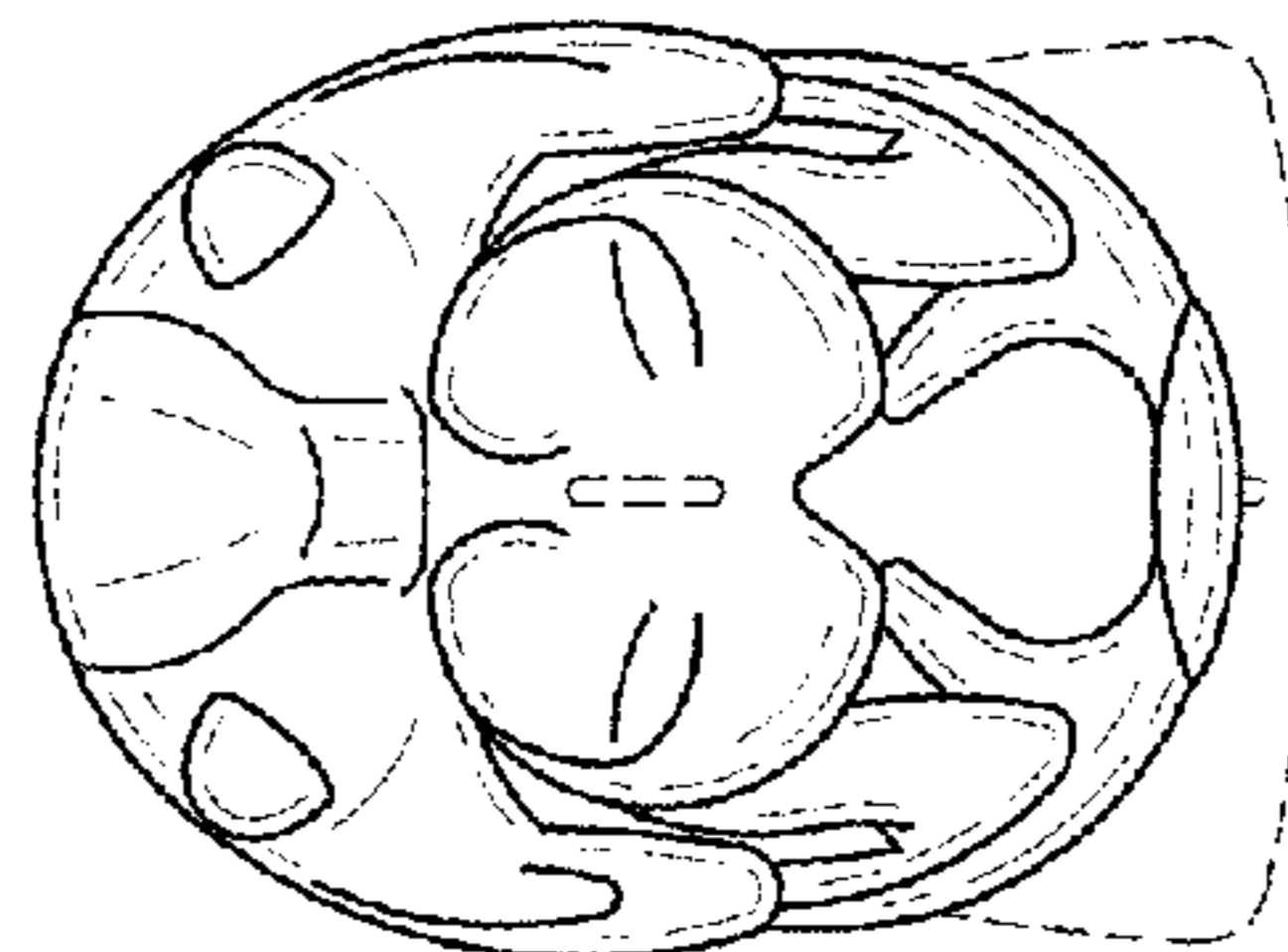


FIG. 6

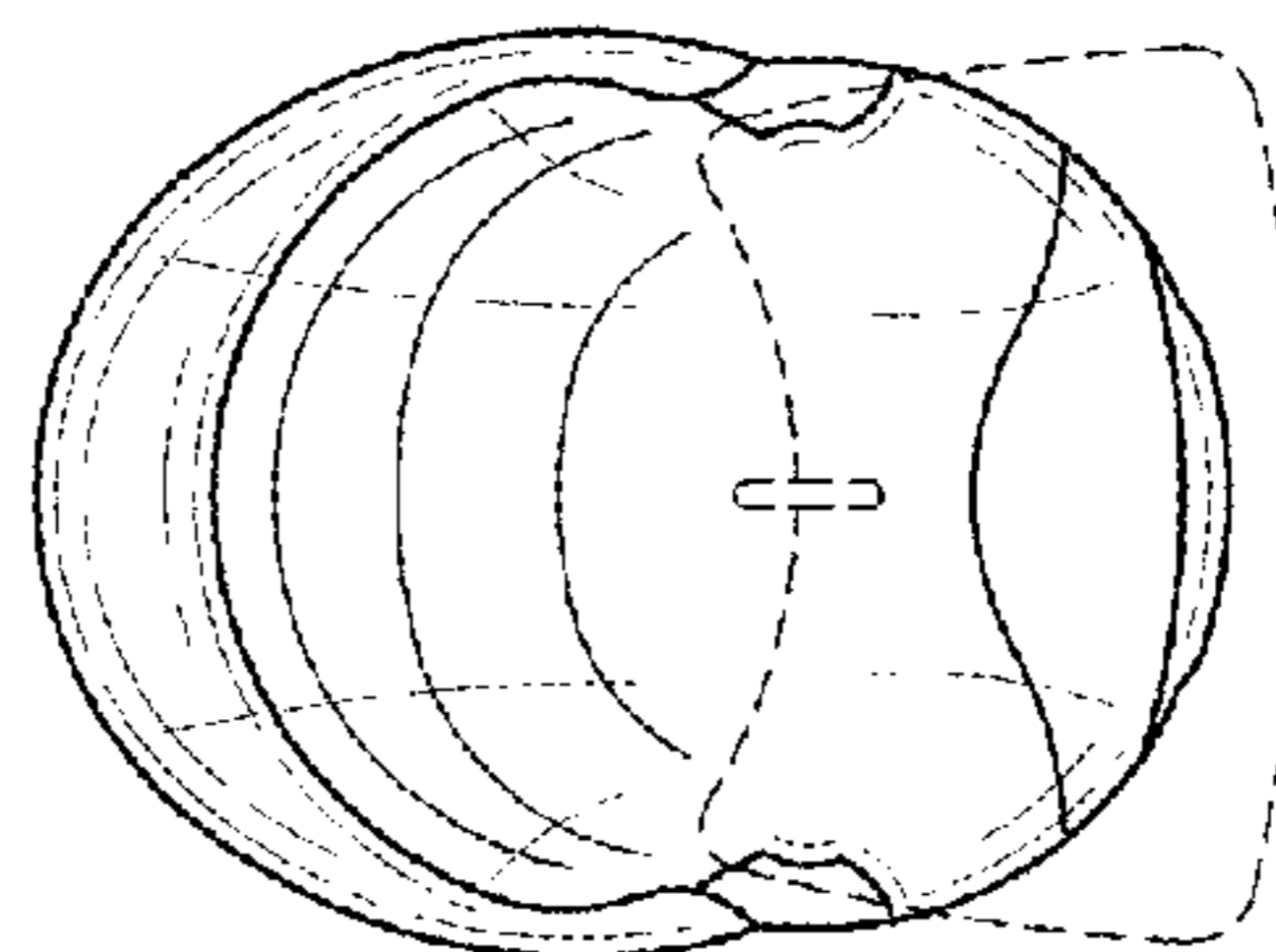


FIG. 7

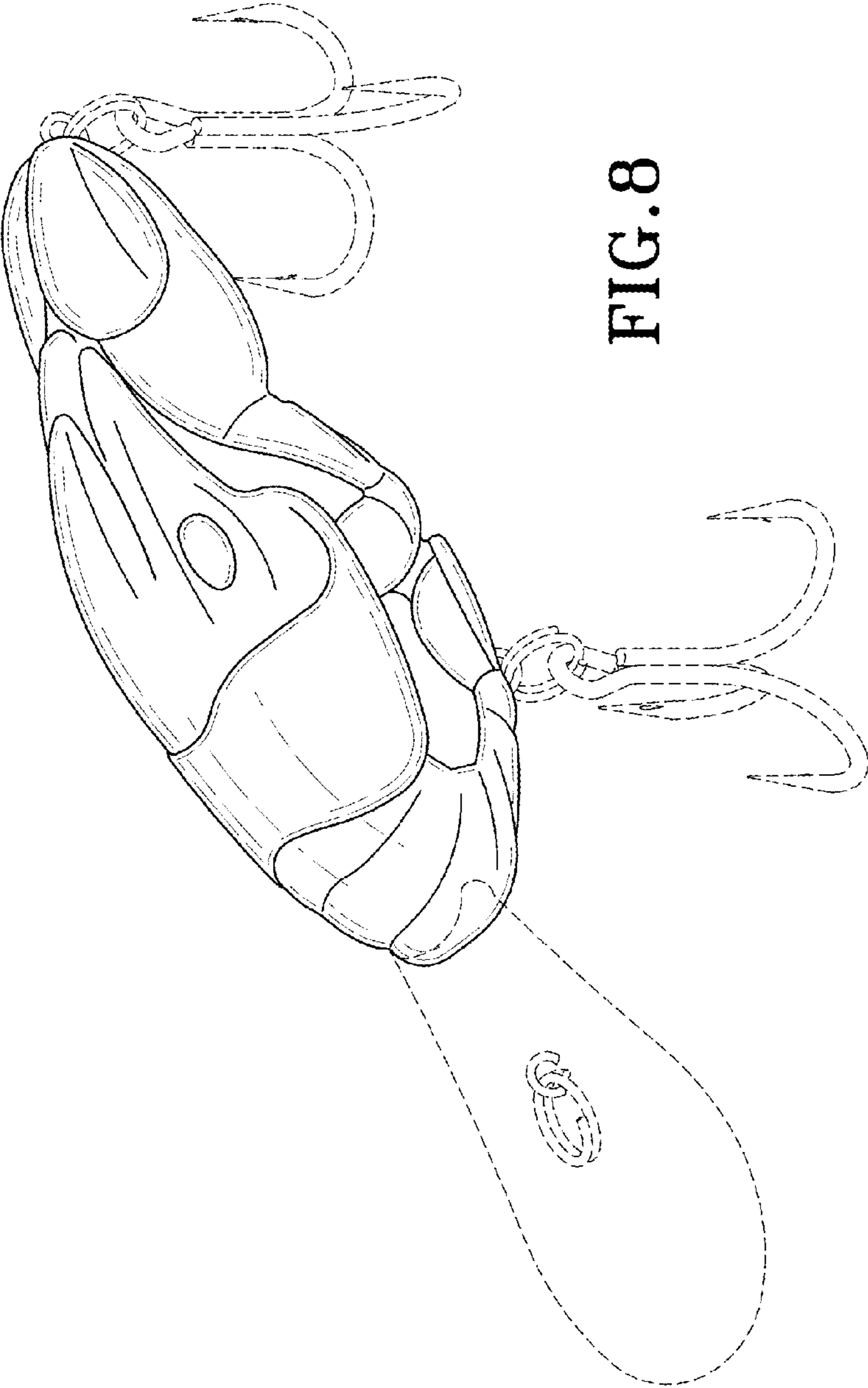


FIG. 8

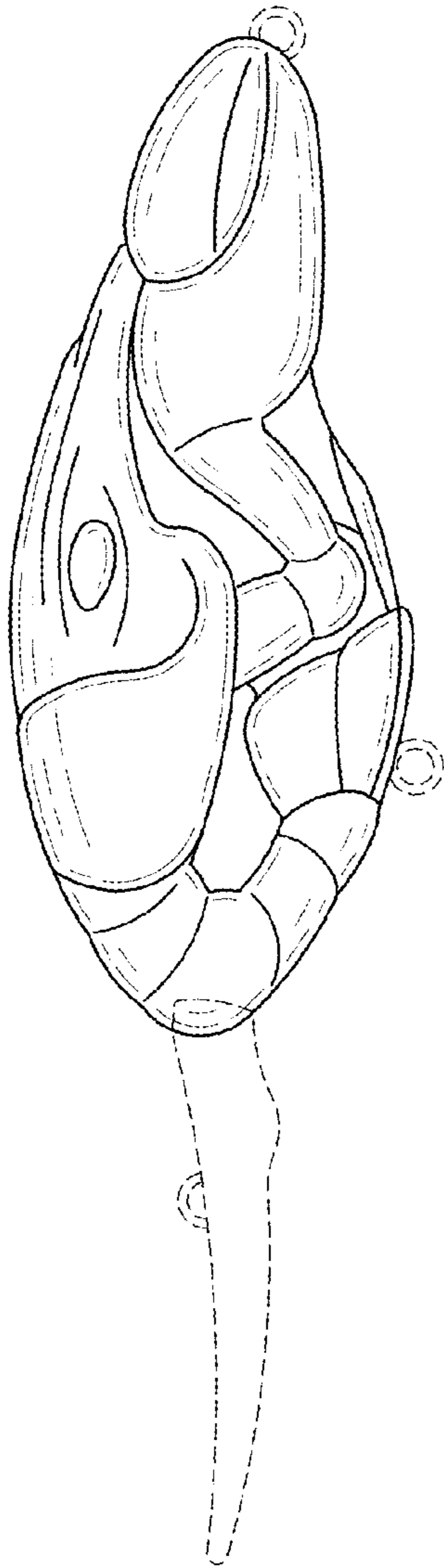


FIG. 9

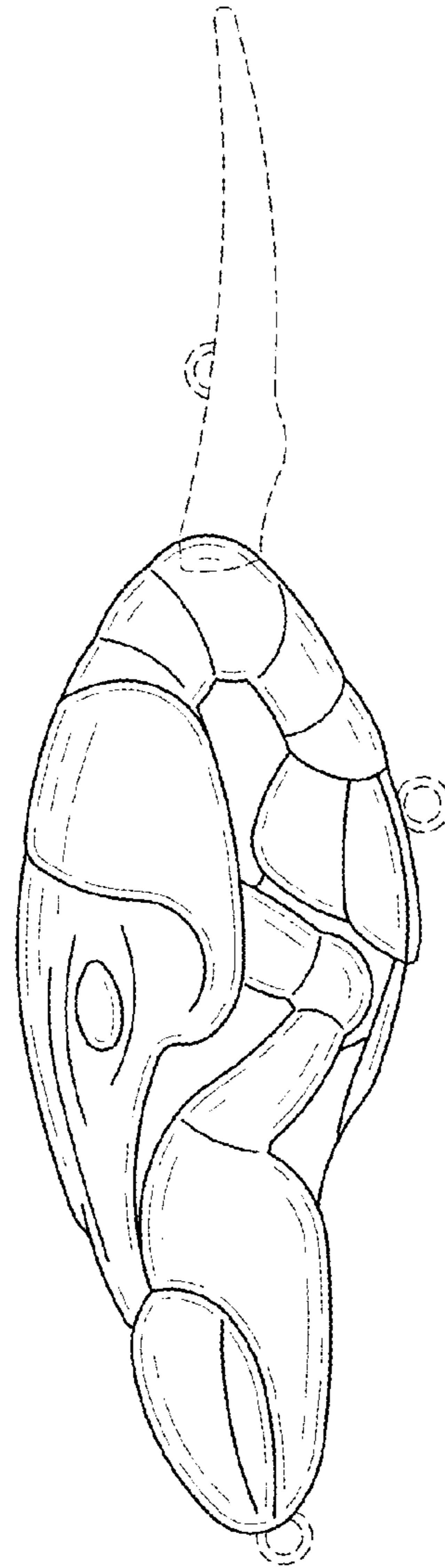


FIG. 10

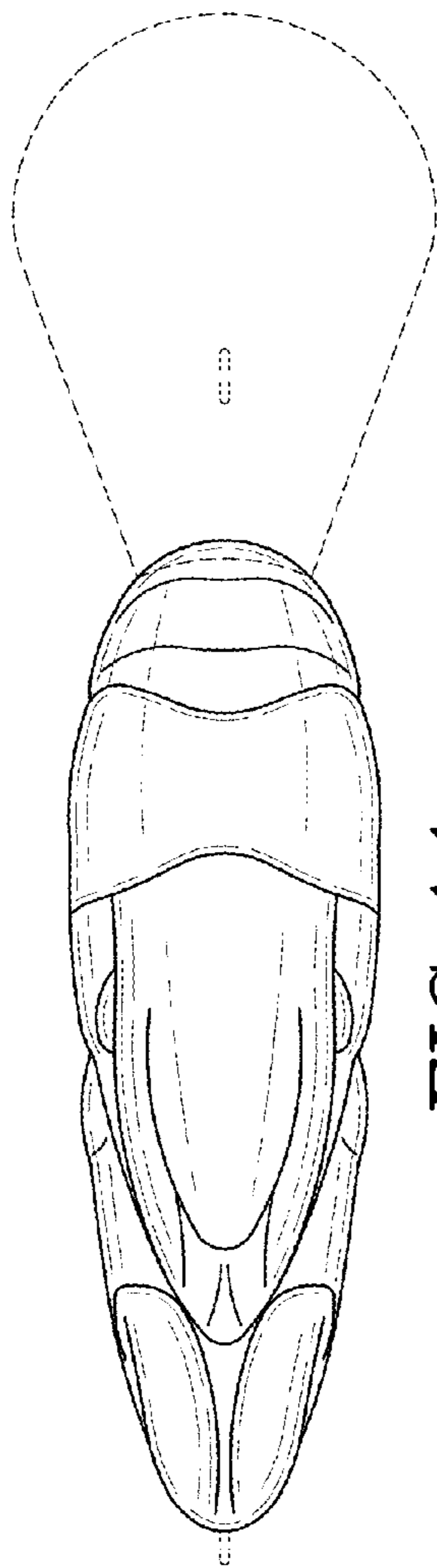


FIG. 11

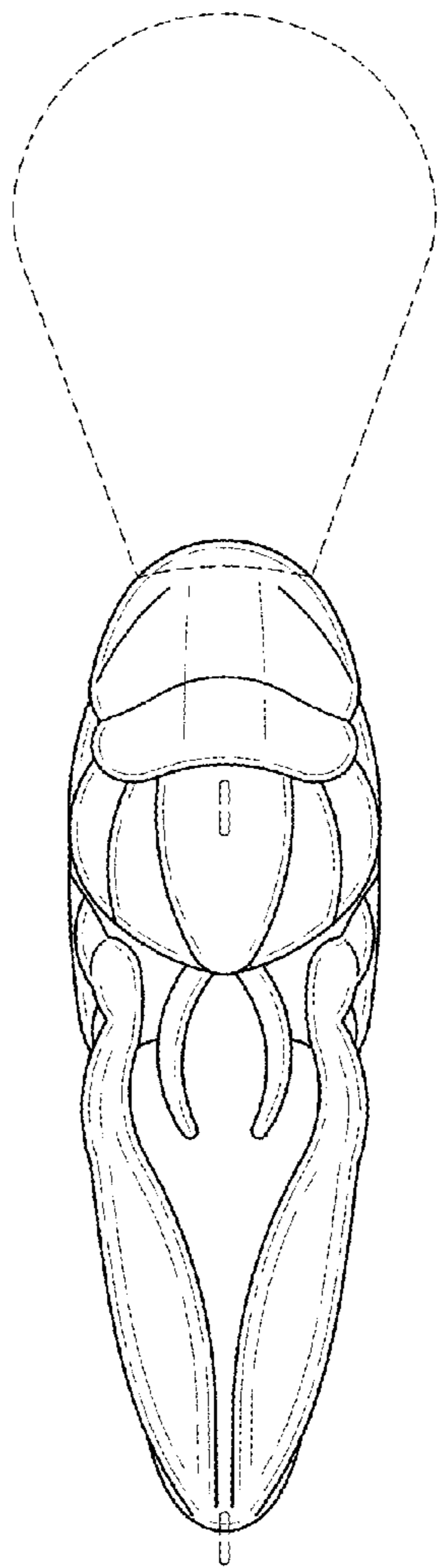


FIG. 12

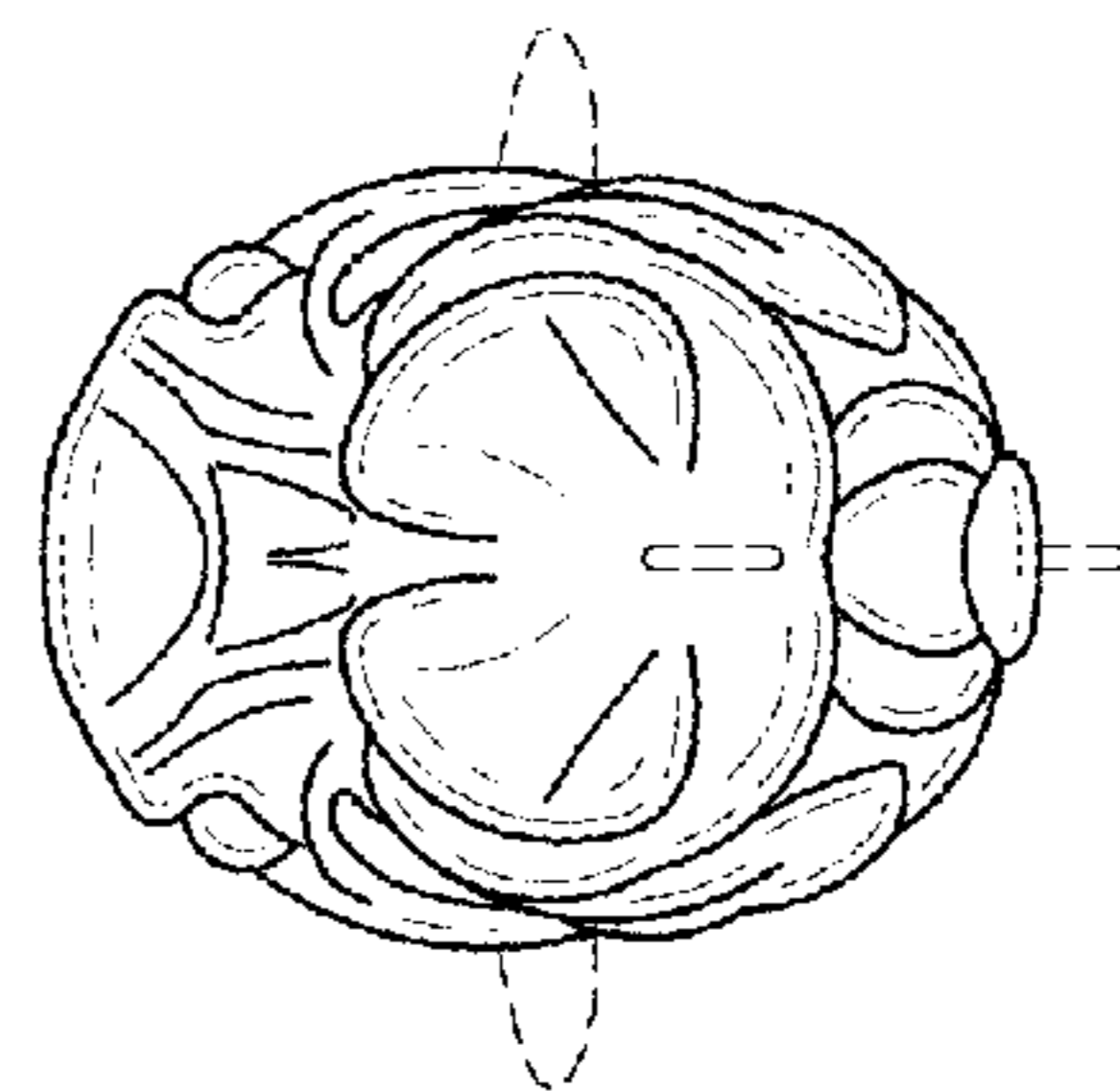


FIG. 13

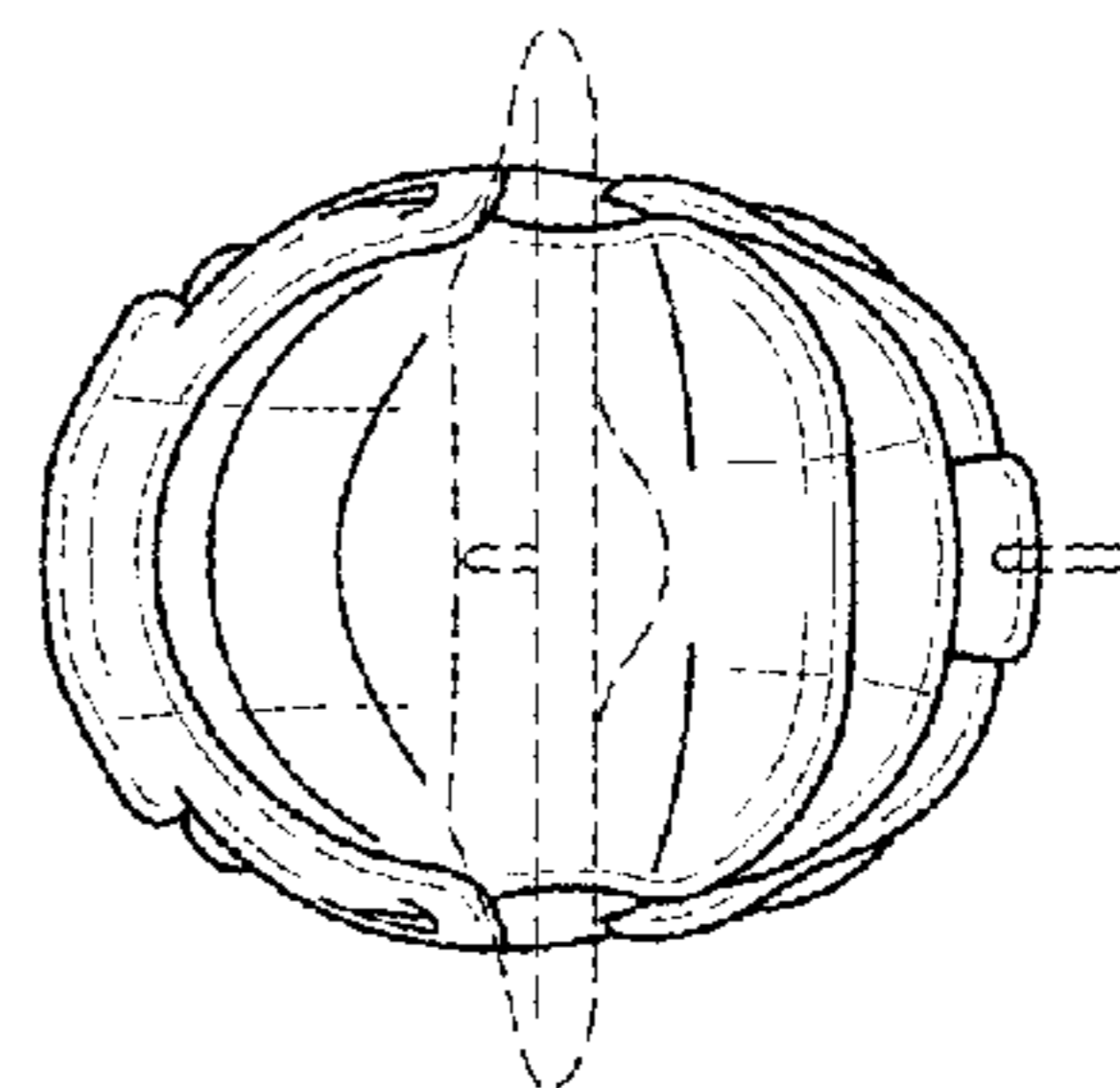


FIG. 14