



US00D709982S

(12) **United States Design Patent**
Freeman et al.

(10) **Patent No.:** **US D709,982 S**
(45) **Date of Patent:** **** Jul. 29, 2014**

(54) **KNIFE HANDLE**

(75) Inventors: **Jeff Freeman**, Tigard, OR (US); **Nolan Leh**, Portland, OR (US)

(73) Assignee: **Fiskars Brands, Inc.**, Madison, WI (US)

(**) Term: **14 Years**

(21) Appl. No.: **29/428,036**

(22) Filed: **Jul. 25, 2012**

(51) **LOC (10) Cl.** **22-02**

(52) **U.S. Cl.**
USPC **D22/118; D8/107**

(58) **Field of Classification Search**
USPC **D8/14, 98, 99, 107, 303; D7/401.2, D7/649; D22/118; 30/340**
See application file for complete search history.

(56) **References Cited**

U.S. PATENT DOCUMENTS

5,528,834	A	*	6/1996	Seber et al.	30/340
D375,243	S	*	11/1996	Hasegawa	D8/107
D375,995	S	*	11/1996	Thompson	D22/118
D553,468	S		10/2007	Freeman	
D581,241	S		11/2008	Freeman	
D582,243	S		12/2008	Freeman et al.	
D582,747	S		12/2008	Freeman et al.	
D610,646	S		2/2010	Harsey, Jr. et al.	
D614,933	S		5/2010	Freeman et al.	
D636,051	S		4/2011	Freeman et al.	
D636,052	S		4/2011	Freeman et al.	
D636,053	S		4/2011	Freeman et al.	
D638,904	S		5/2011	Freeman et al.	
D639,632	S		6/2011	Freeman et al.	
D661,367	S		6/2012	Seeds et al.	
D694,064	S	*	11/2013	Costa	D7/401.2
D698,406	S	*	1/2014	Ameis	D22/118

OTHER PUBLICATIONS

U.S. Appl. No. 29/391,770, filed May 12, 2011, Seeds et al.

* cited by examiner

Primary Examiner — Phillip S Hyder

(74) *Attorney, Agent, or Firm* — Foley & Lardner LLP

(57) **CLAIM**

We claim the ornamental design for a knife handle, as shown and described.

DESCRIPTION

FIG. 1 is a rear perspective view of the claimed design according to one embodiment.

FIG. 2 is a left side view thereof.

FIG. 3 is a right side view thereof.

FIG. 4 is a front view thereof.

FIG. 5 is a rear view thereof.

FIG. 6 is top view thereof.

FIG. 7 is a bottom view thereof.

FIG. 8 is a rear perspective view of the claimed design according to another embodiment.

FIG. 9 is a left side view thereof.

FIG. 10 is a right side view thereof.

FIG. 11 is a front view thereof.

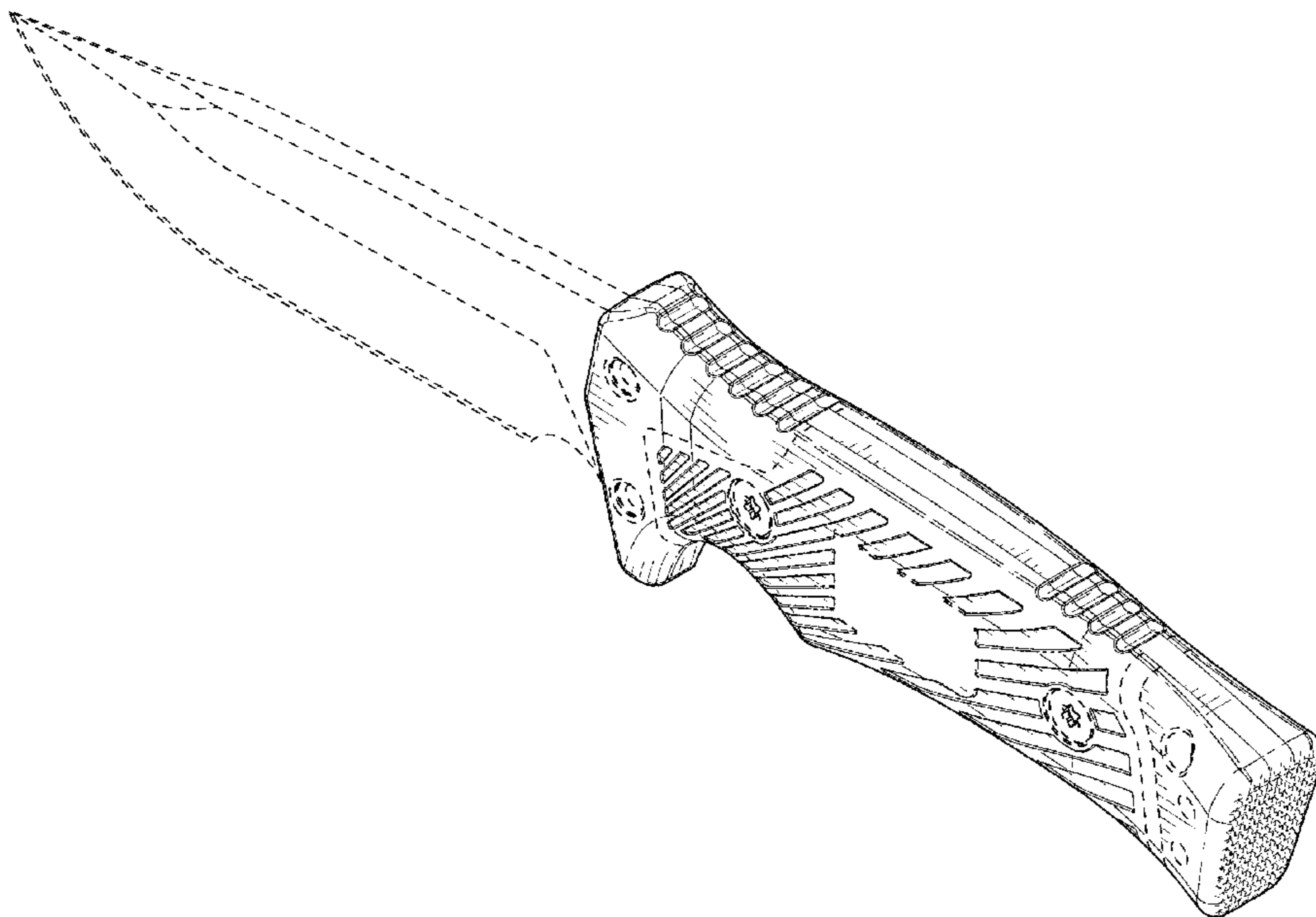
FIG. 12 is a rear view thereof.

FIG. 13 is top view thereof; and,

FIG. 14 is a bottom view thereof.

The broken line showings of the blade are provided for purposes of environment and form no part of the claimed design. The broken lines portions of the knife handle form no part of the claimed design.

1 Claim, 6 Drawing Sheets



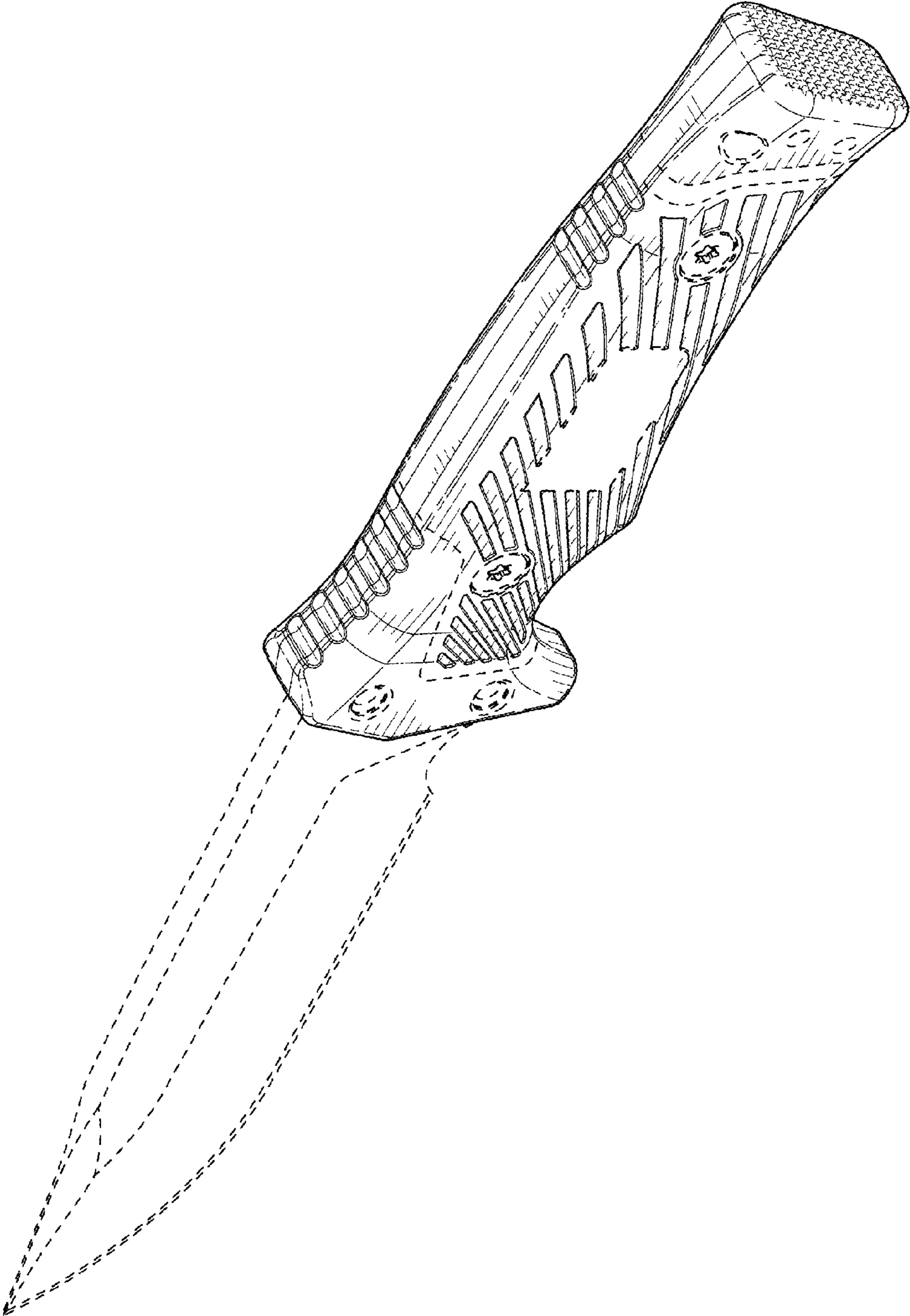


FIG. 1

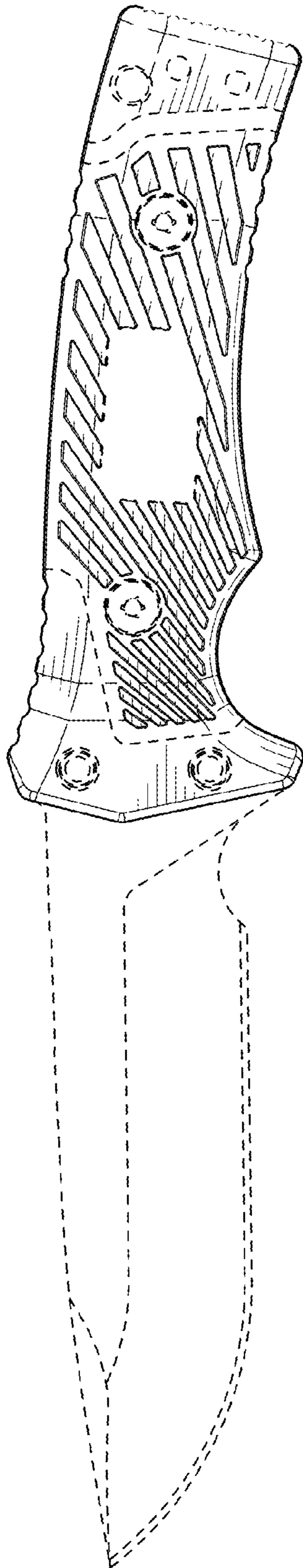


FIG. 2

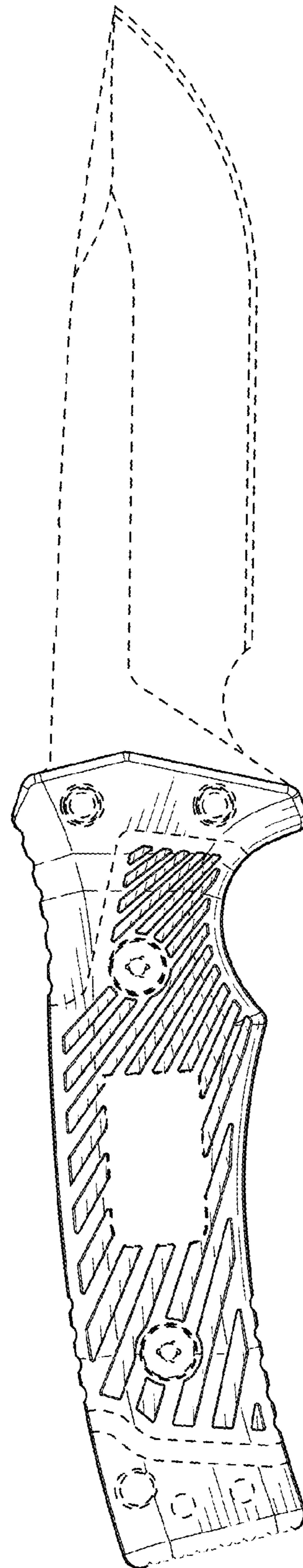


FIG. 3

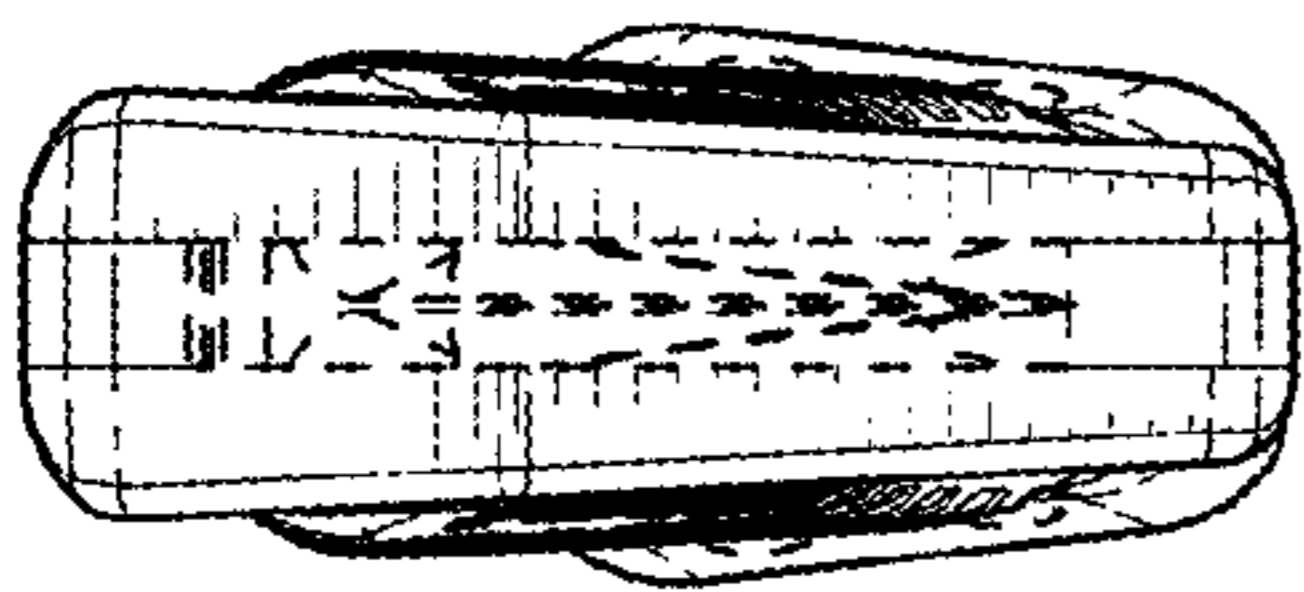


FIG. 4

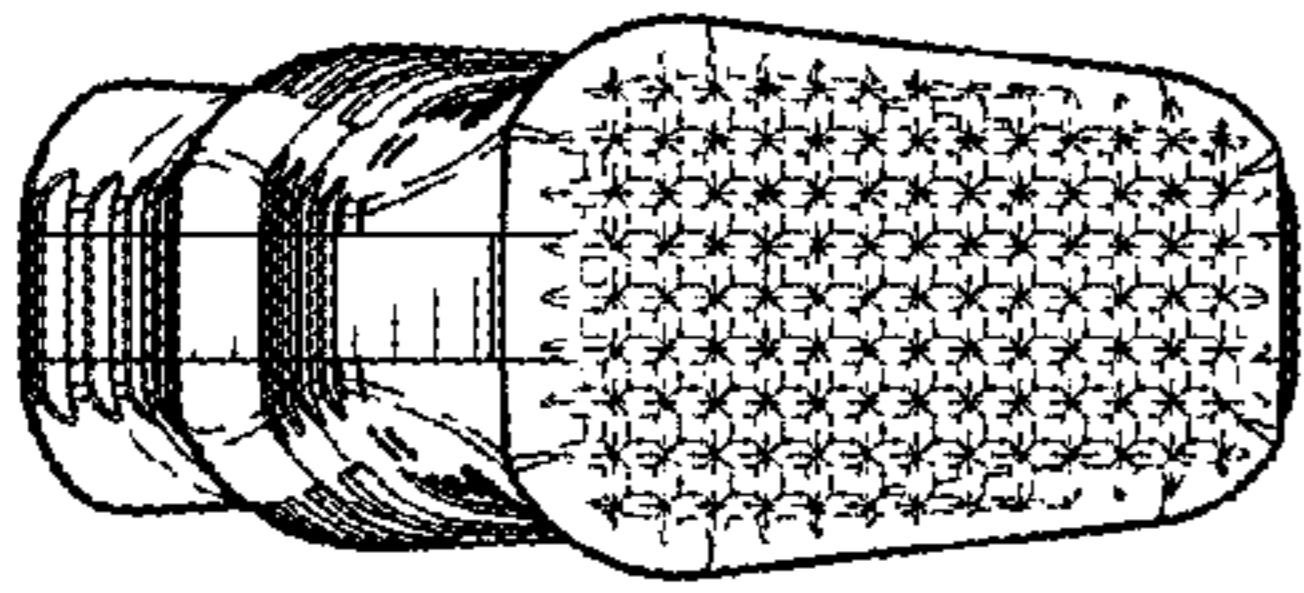


FIG. 5

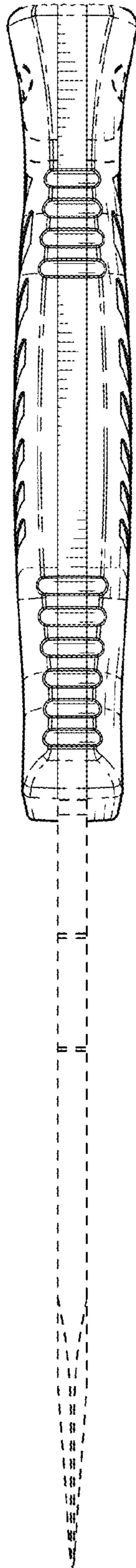


FIG. 6

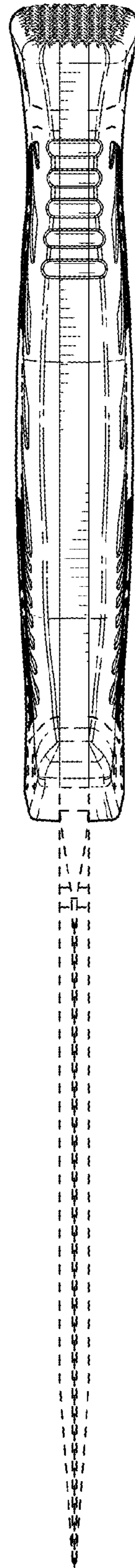


FIG. 7

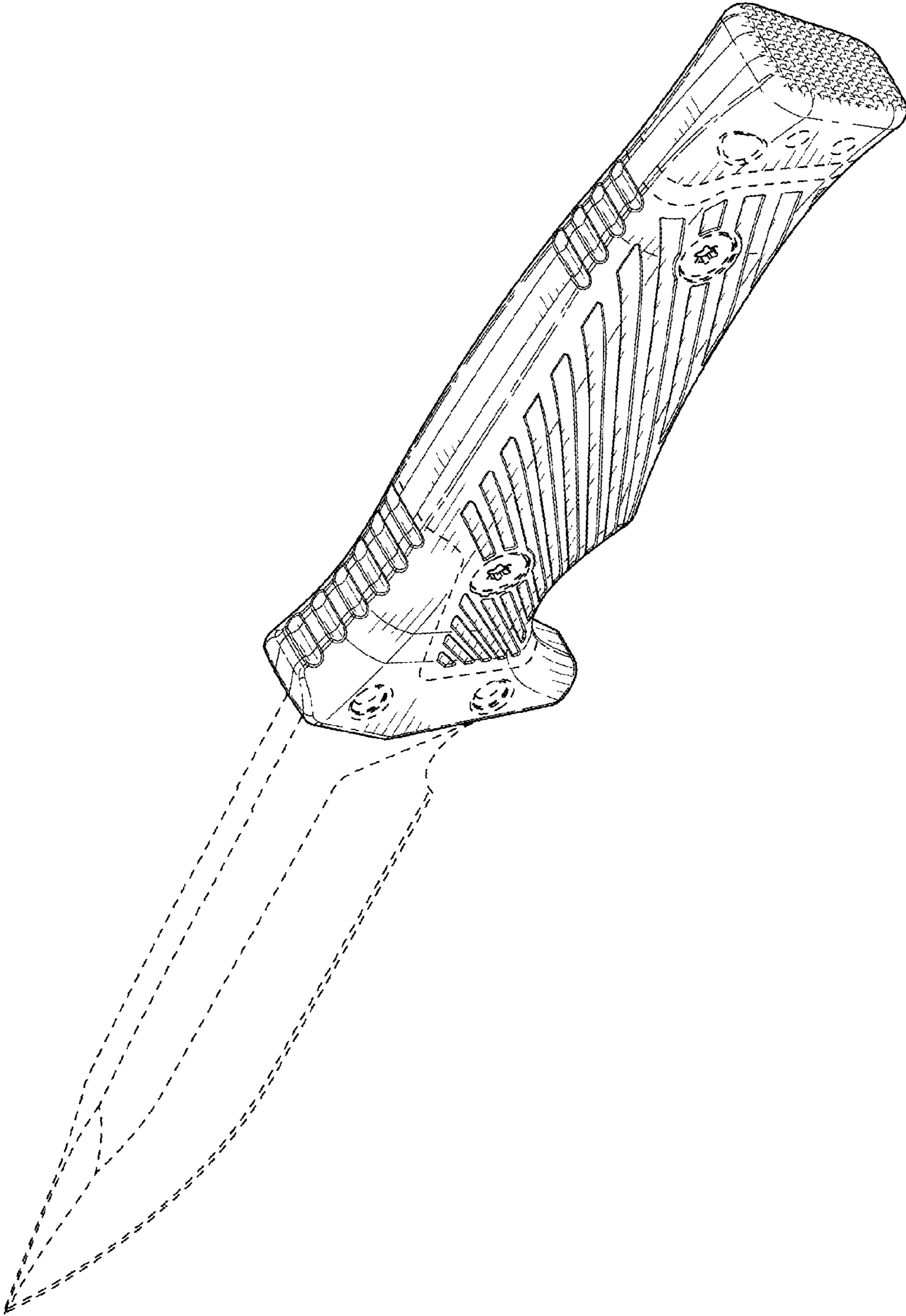


FIG. 8

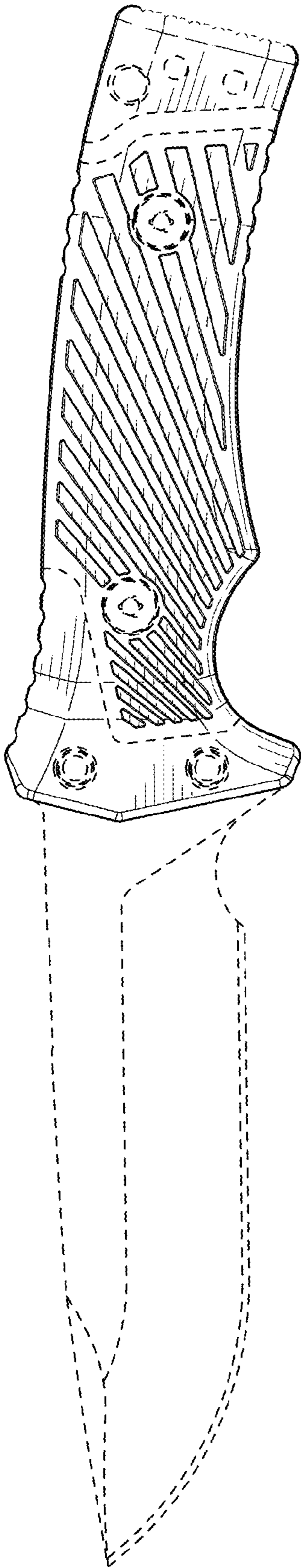


FIG. 9

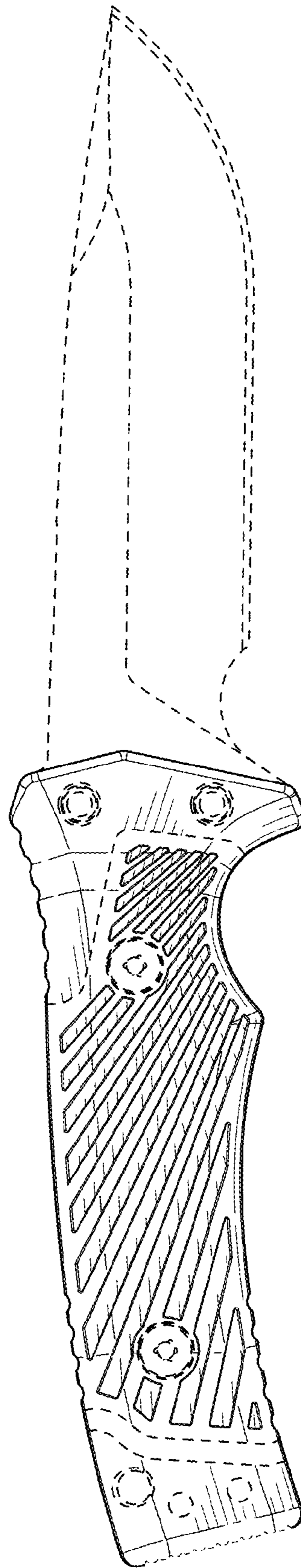


FIG. 10

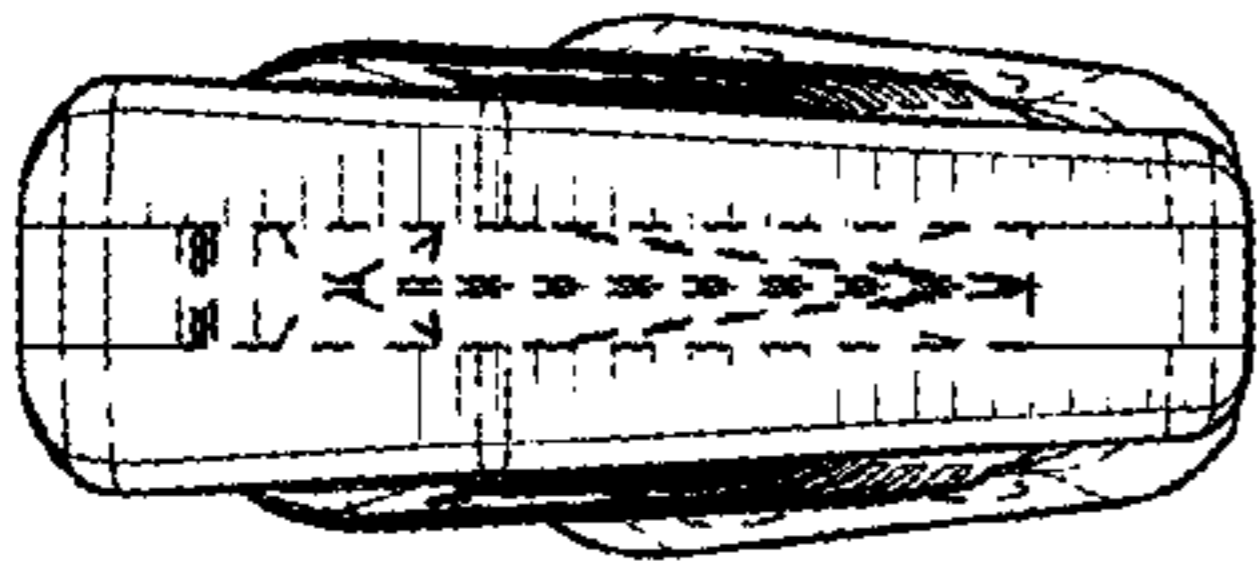


FIG. 11

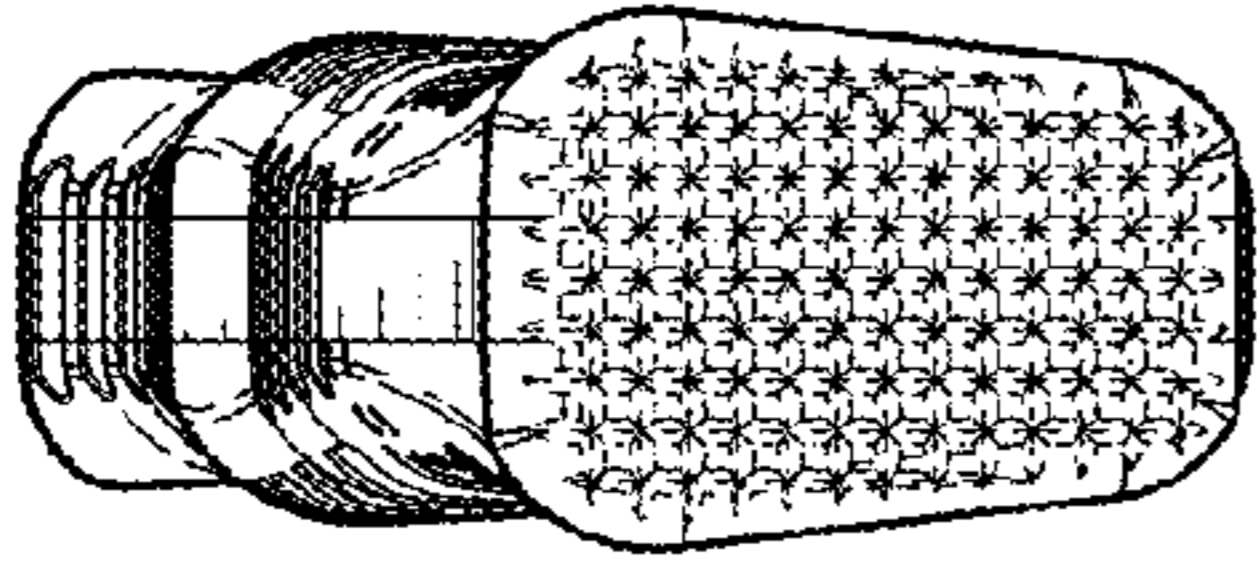


FIG. 12

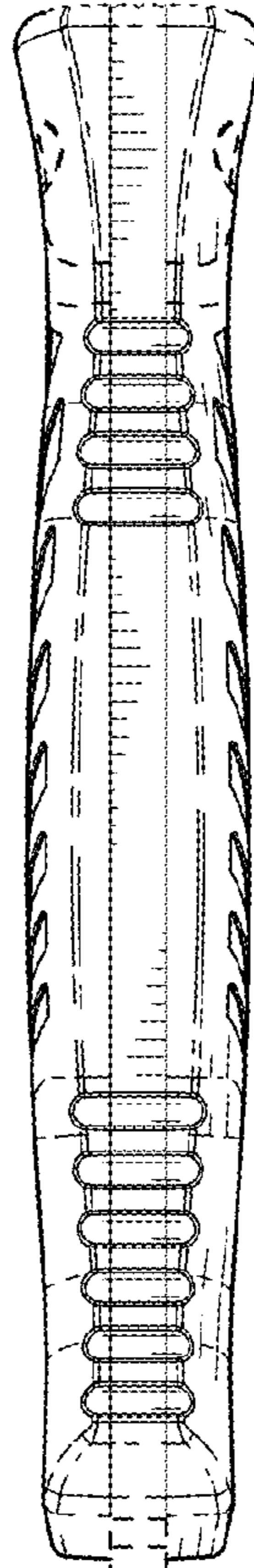


FIG. 13

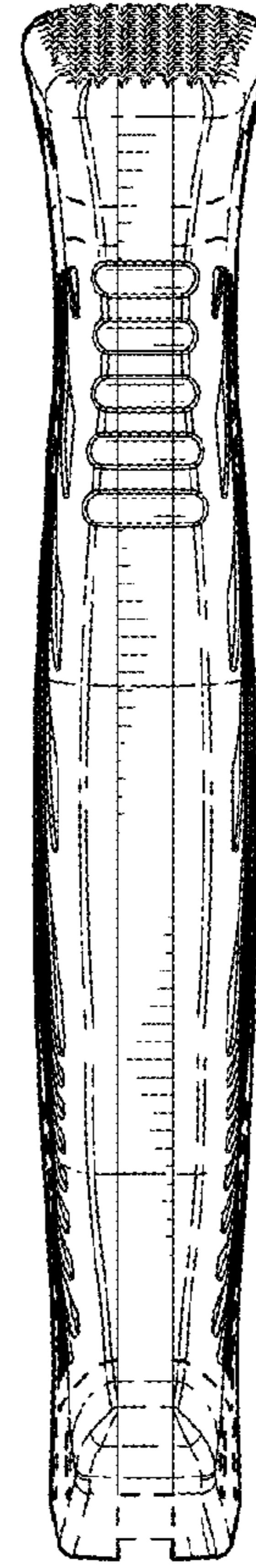


FIG. 14