



US00D709981S

(12) **United States Design Patent**
Johnston et al.

(10) **Patent No.:** **US D709,981 S**
(45) **Date of Patent:** **** Jul. 29, 2014**

(54) **LASER DEVICE**

2013/0074351 A1* 3/2013 Kowalczyk et al. 33/286

(71) Applicant: **Crimson Trace, Inc.**, Wilsonville, OR
(US)

* cited by examiner

(72) Inventors: **William Johnston**, Sherwood, OR (US);
Drew Essig, Portland, OR (US); **Daniel Hughes**,
Damascus, OR (US); **Christopher John Murray**,
Philadelph, PA (US); **Jeffrey James Smith**, Honeoye
Fall, NY (US)

Primary Examiner — Michael A Pratt

(74) *Attorney, Agent, or Firm* — Schwabe, Williamson &
Wyatt, P.C.

(73) Assignee: **Crimson Trace, Inc.**, Wilsonville, OR
(US)

(57) **CLAIM**

I claim an ornamental design for a laser device, as shown and
described.

(**) Term: **14 Years**

DESCRIPTION

(21) Appl. No.: **29/443,182**

(22) Filed: **Jan. 14, 2013**

(51) **LOC (10) Cl.** **22-01**

(52) **U.S. Cl.**
USPC **D22/108**

(58) **Field of Classification Search**
USPC D22/108–109; 42/111–128; 89/1.61,
89/200–204; 356/247–256
See application file for complete search history.

FIG. 1 is a perspective view of one embodiment of the present
invention;

FIG. 2 is a front view of the embodiment of FIG. 1;

FIG. 3 is a rear view of the embodiment of FIG. 1;

FIG. 4 is a right side view of the embodiment of FIG. 1;

FIG. 5 is a left side view of the embodiment of FIG. 1 and the
opposite side of FIG. 4;

FIG. 6 is a top view of the embodiment of FIG. 1;

FIG. 7 is a bottom view of the embodiment of FIG. 1;

FIG. 8 is a side view of the embodiment of FIG. 1;

FIG. 9 is a rear perspective view of an alternate embodiment
of the present invention;

FIG. 10 is a front perspective view of the alternate embodi-
ment shown in FIG. 9;

FIG. 11 is a rear perspective view of an alternate embodiment
of the present invention; and,

FIG. 12 is a front perspective view of the embodiment shown
in FIG. 11.

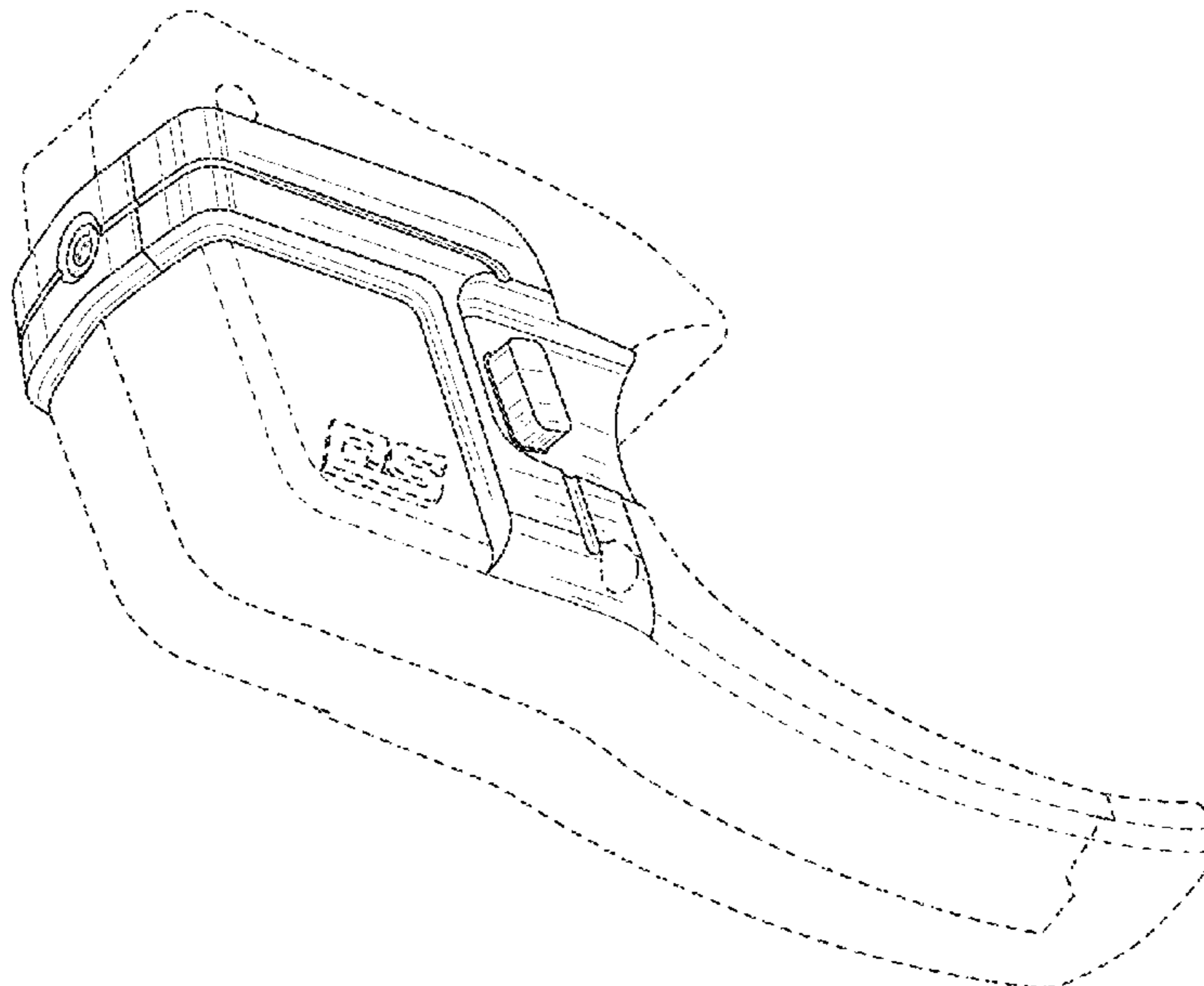
The dashed lines are included for illustrating environmental
structure and form no part of the claimed design.

(56) **References Cited**

U.S. PATENT DOCUMENTS

8,256,154	B2 *	9/2012	Danielson et al.	42/146
D669,958	S *	10/2012	Essig et al.	D22/108
D687,120	S *	7/2013	Hughes et al.	D22/109
D692,518	S *	10/2013	Anderson et al.	D22/109
D694,848	S *	12/2013	Anderson et al.	D22/109
D696,376	S *	12/2013	Anderson et al.	D22/109

1 Claim, 11 Drawing Sheets



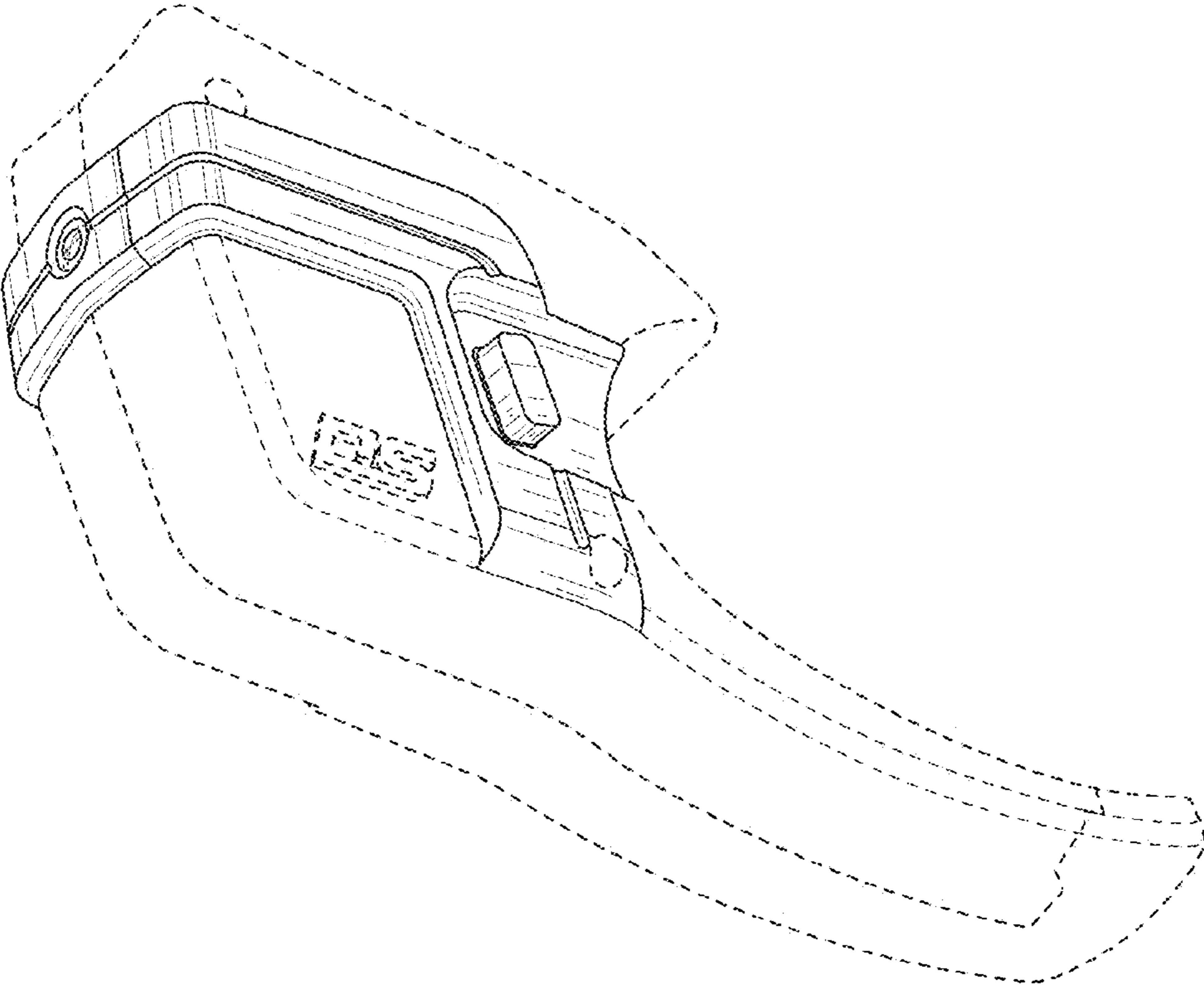


FIG. 1

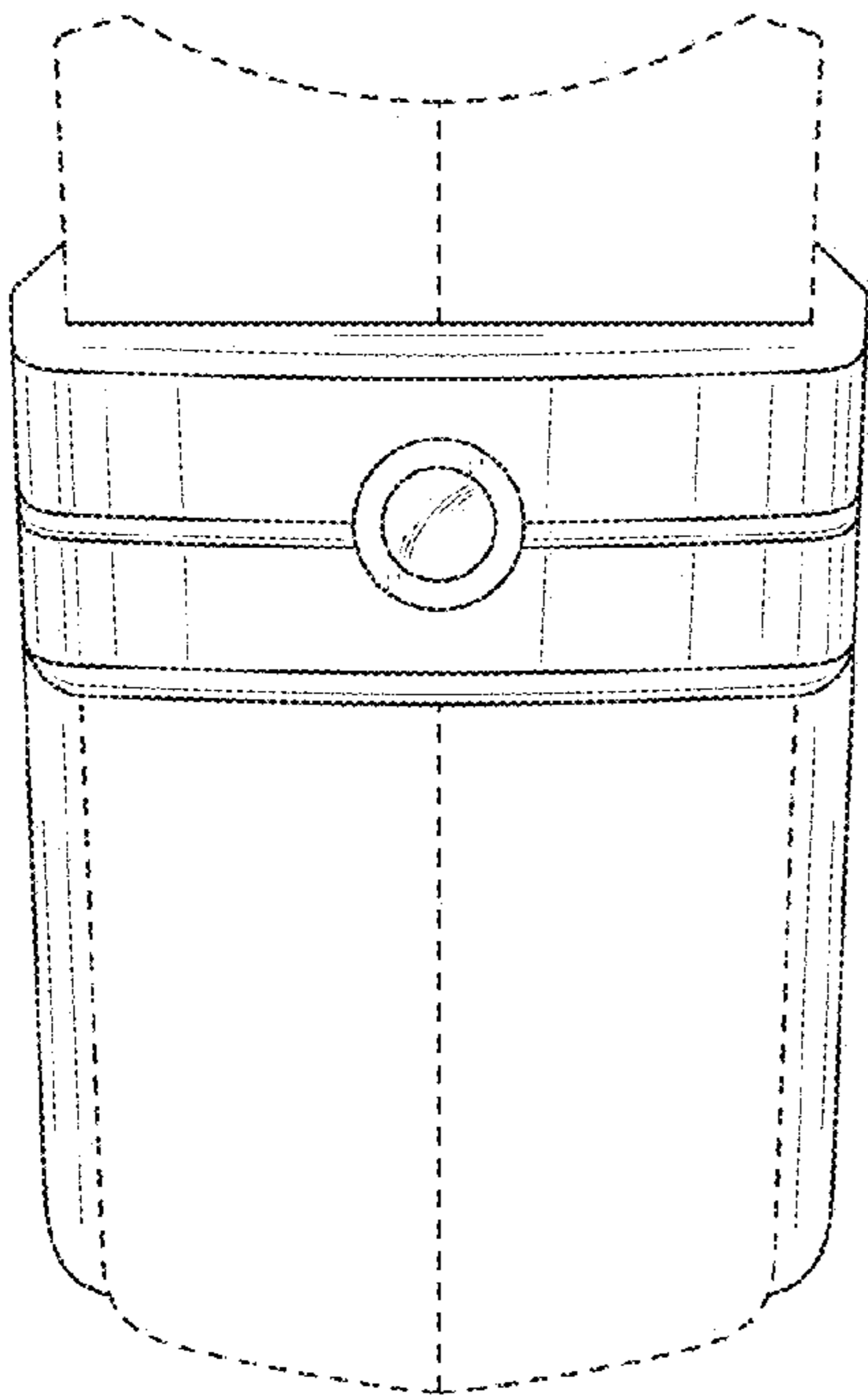


FIG. 2

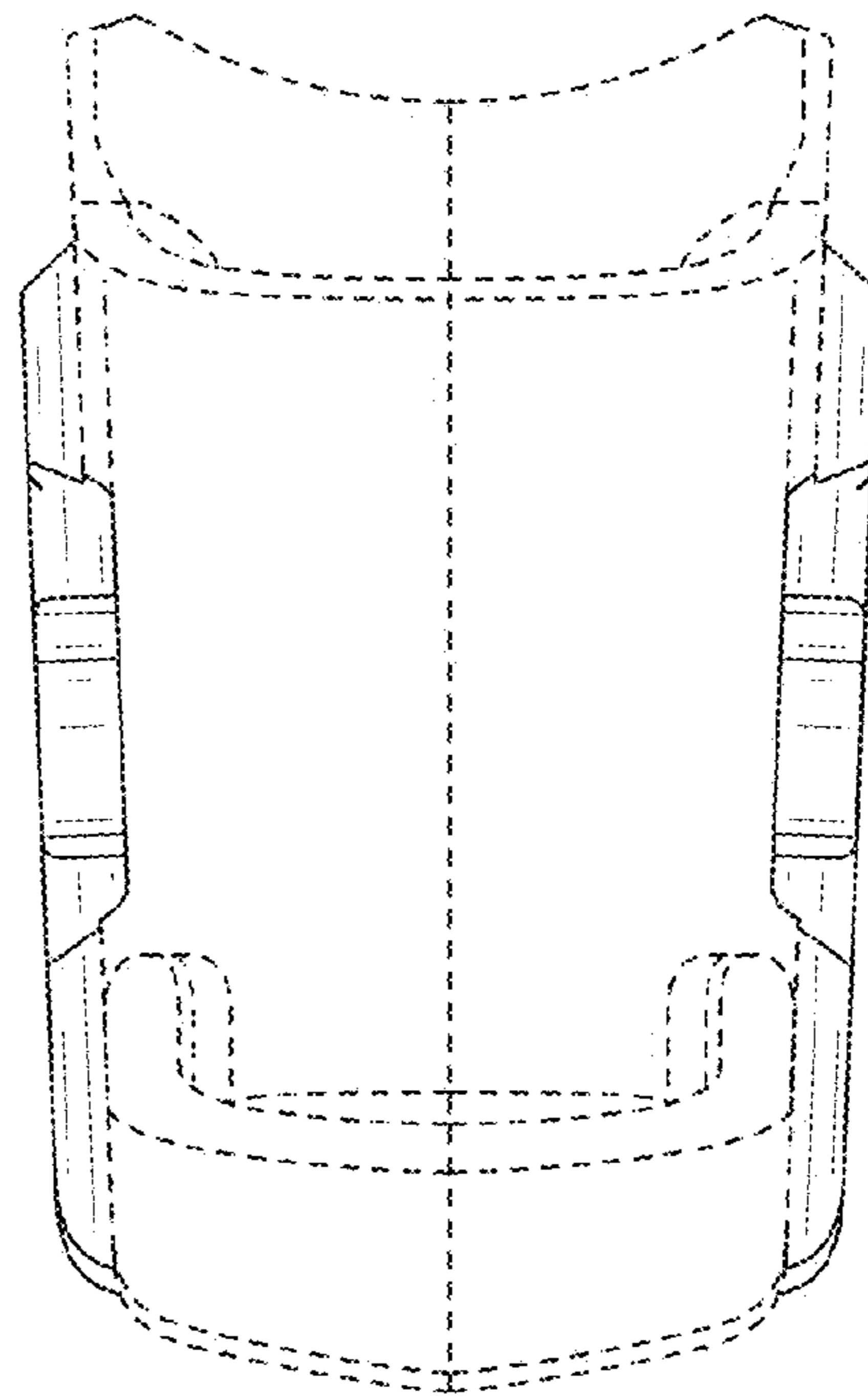


FIG. 3

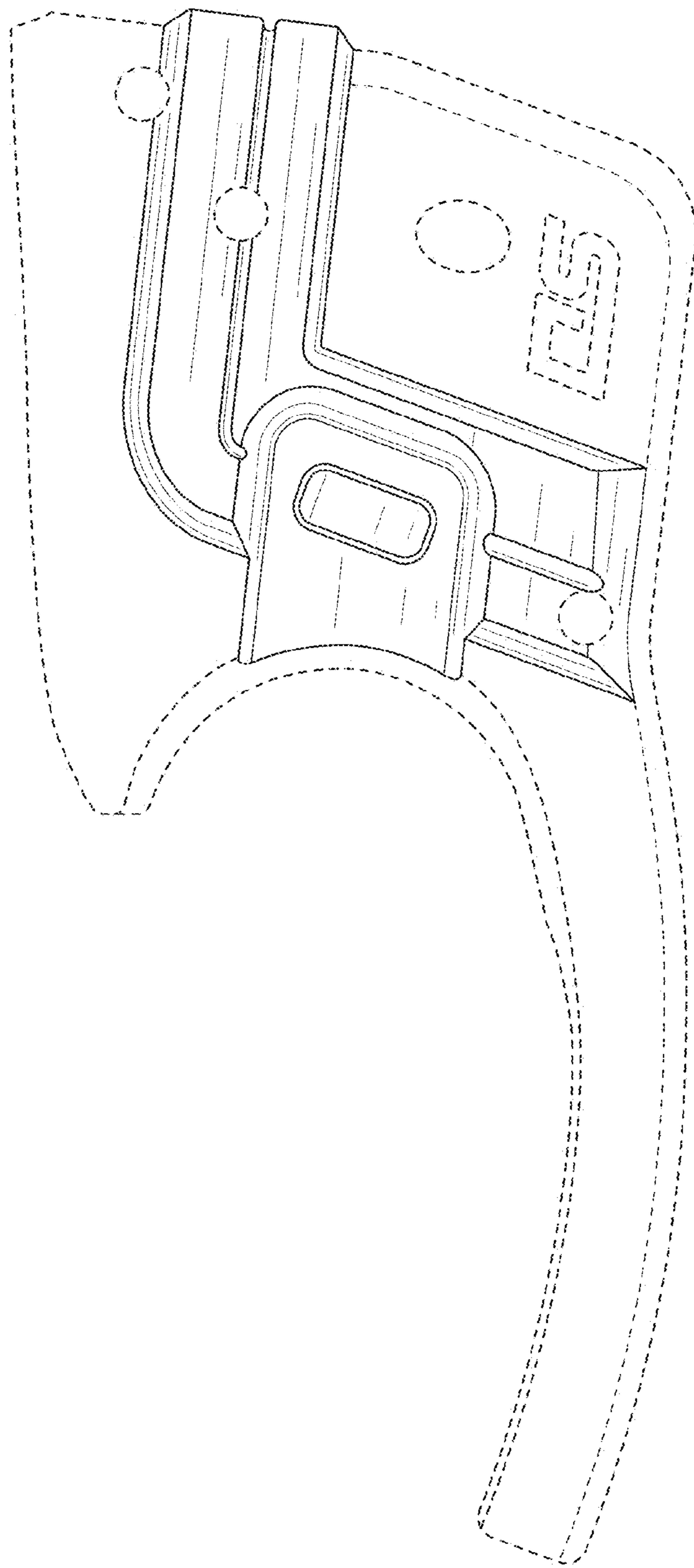


FIG. 4

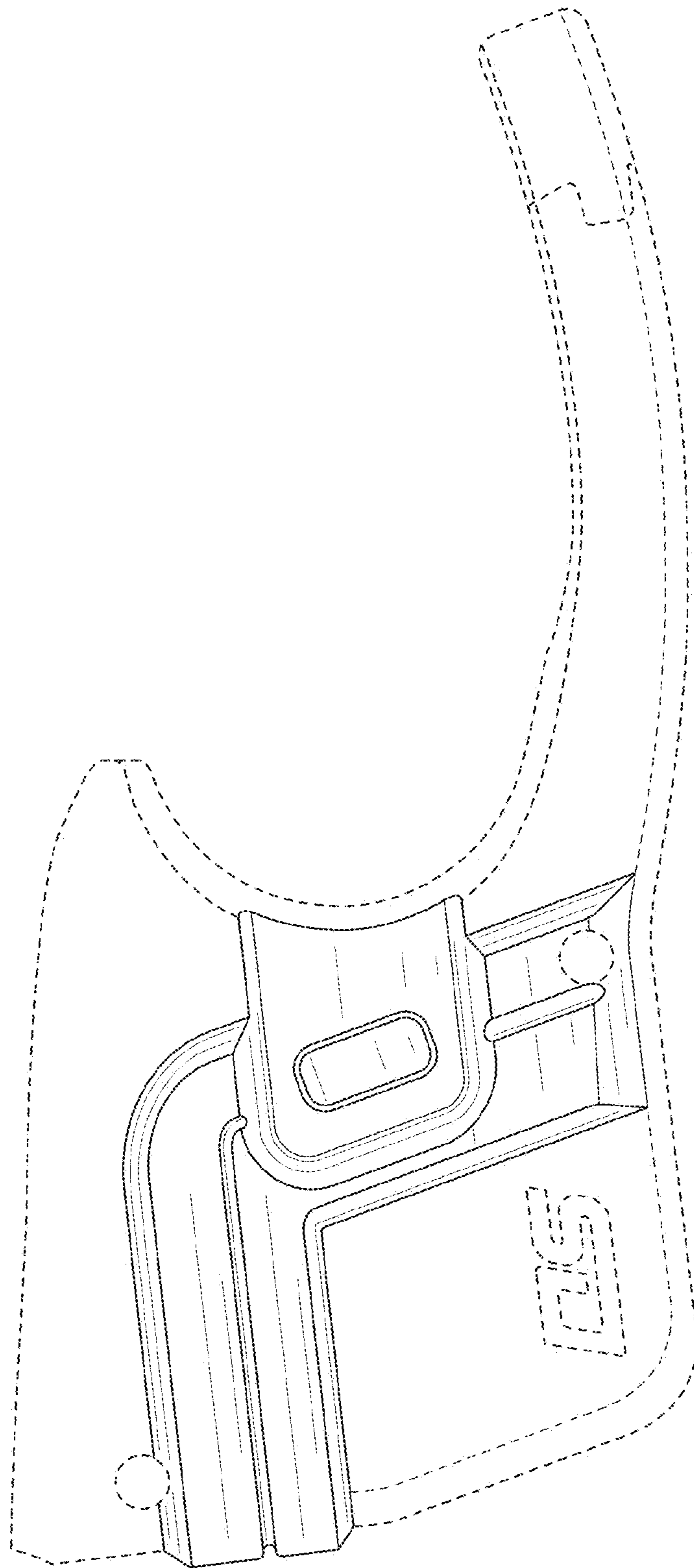


FIG. 5

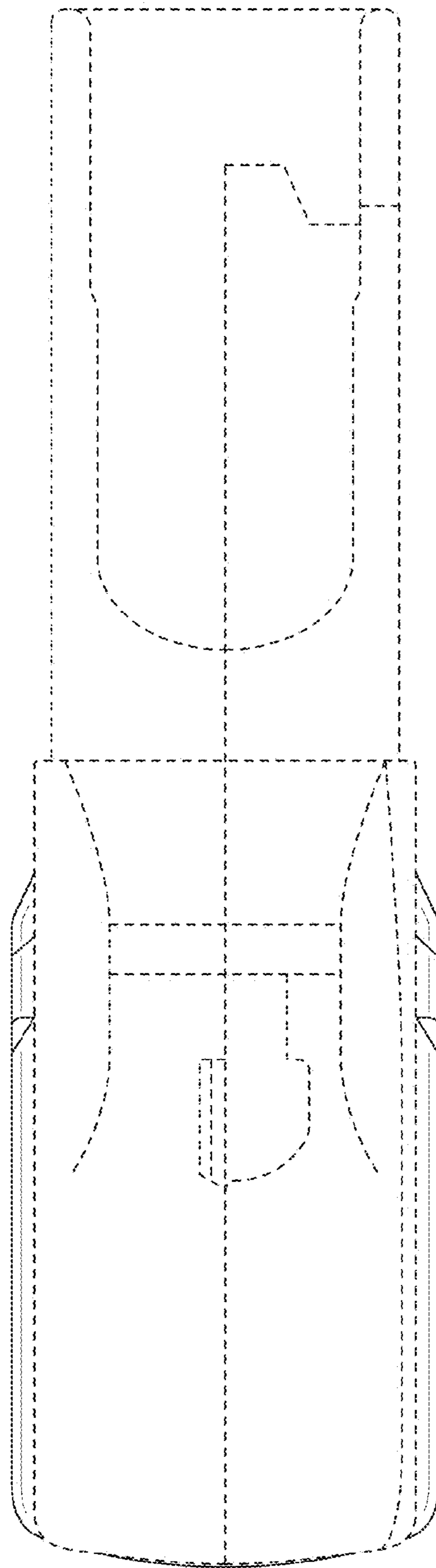


FIG. 6

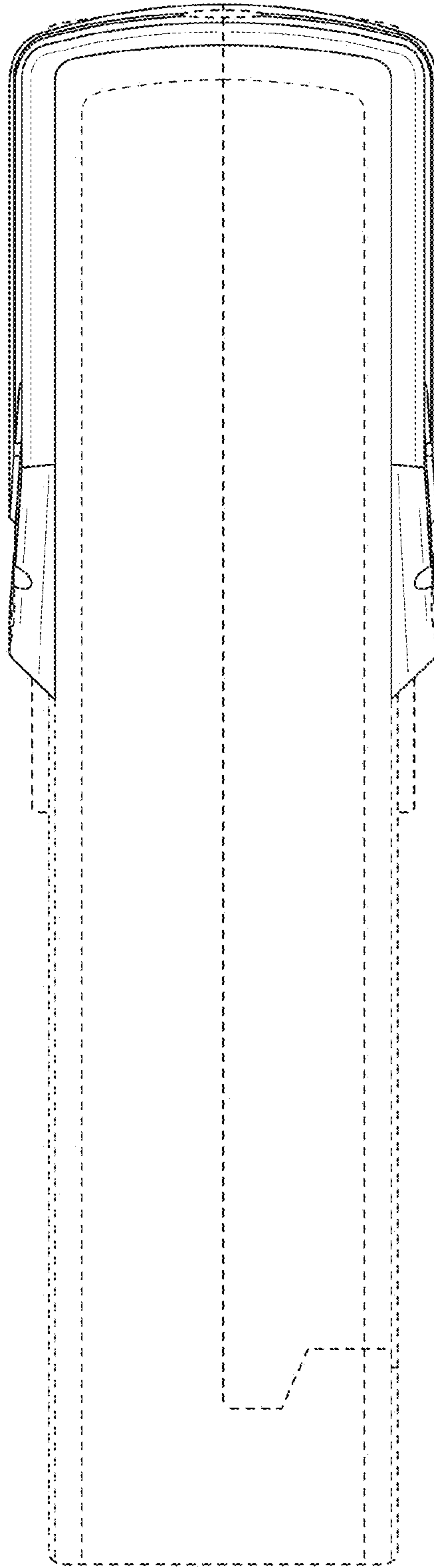


FIG. 7

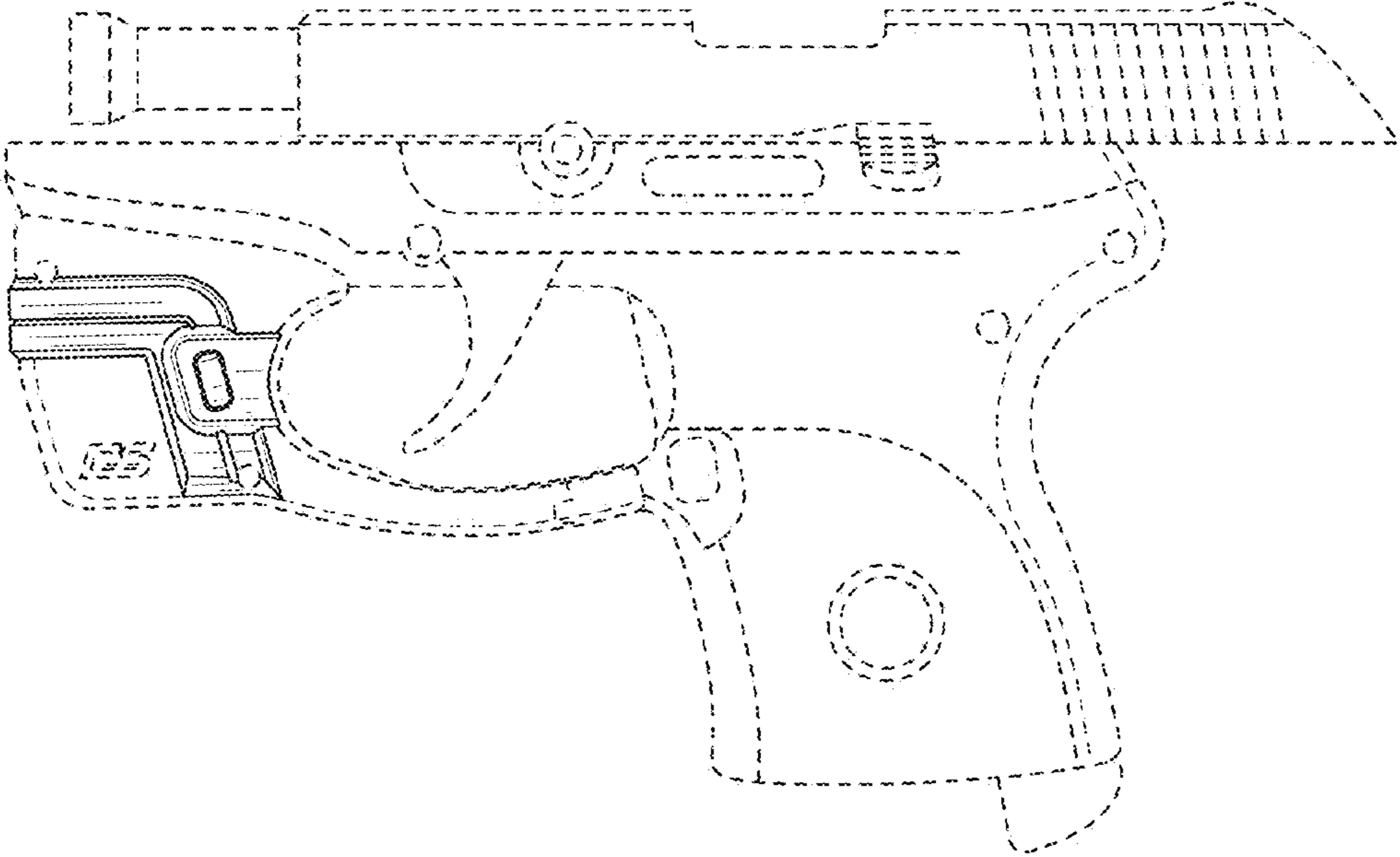


FIG. 8

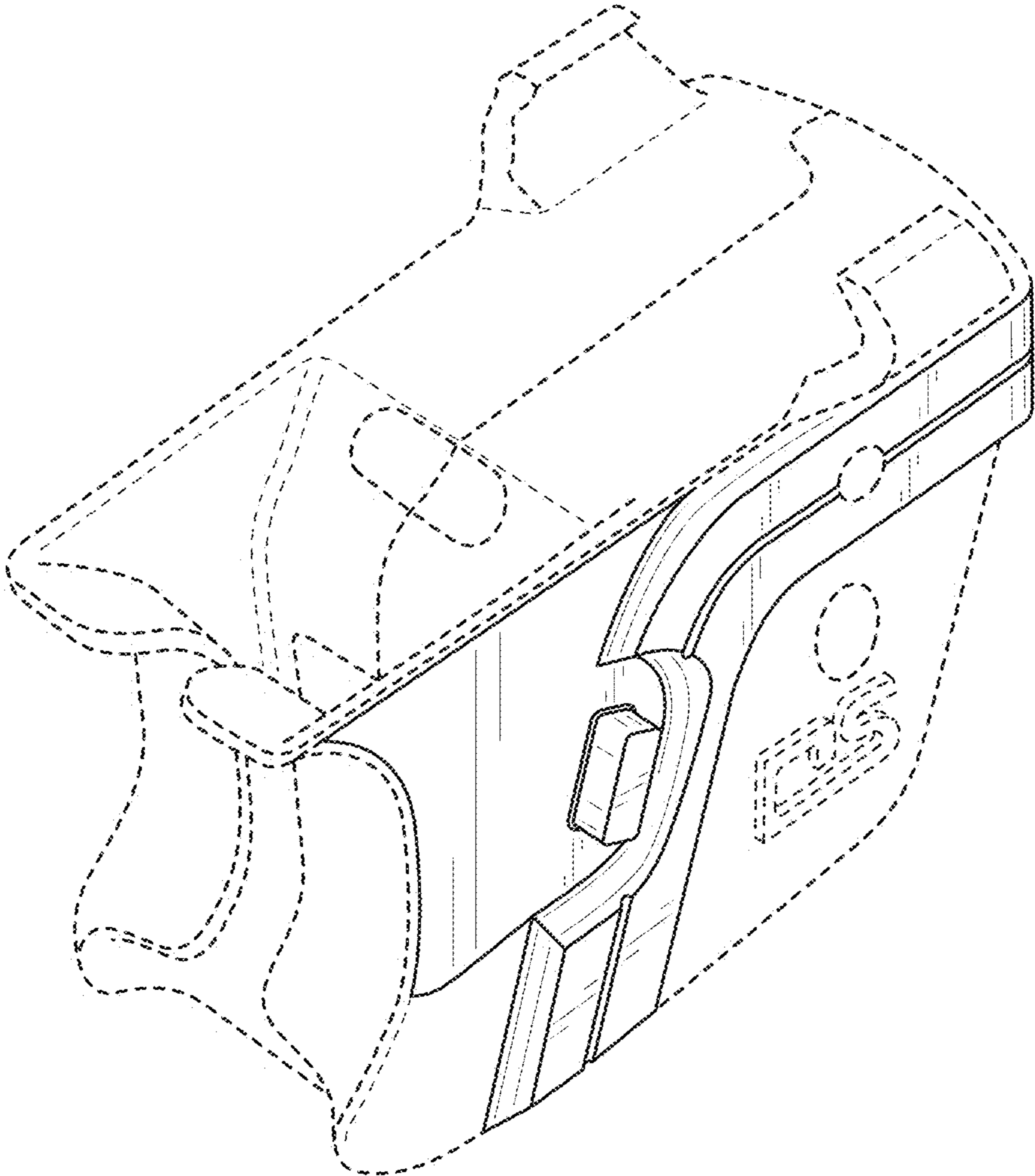


FIG. 9

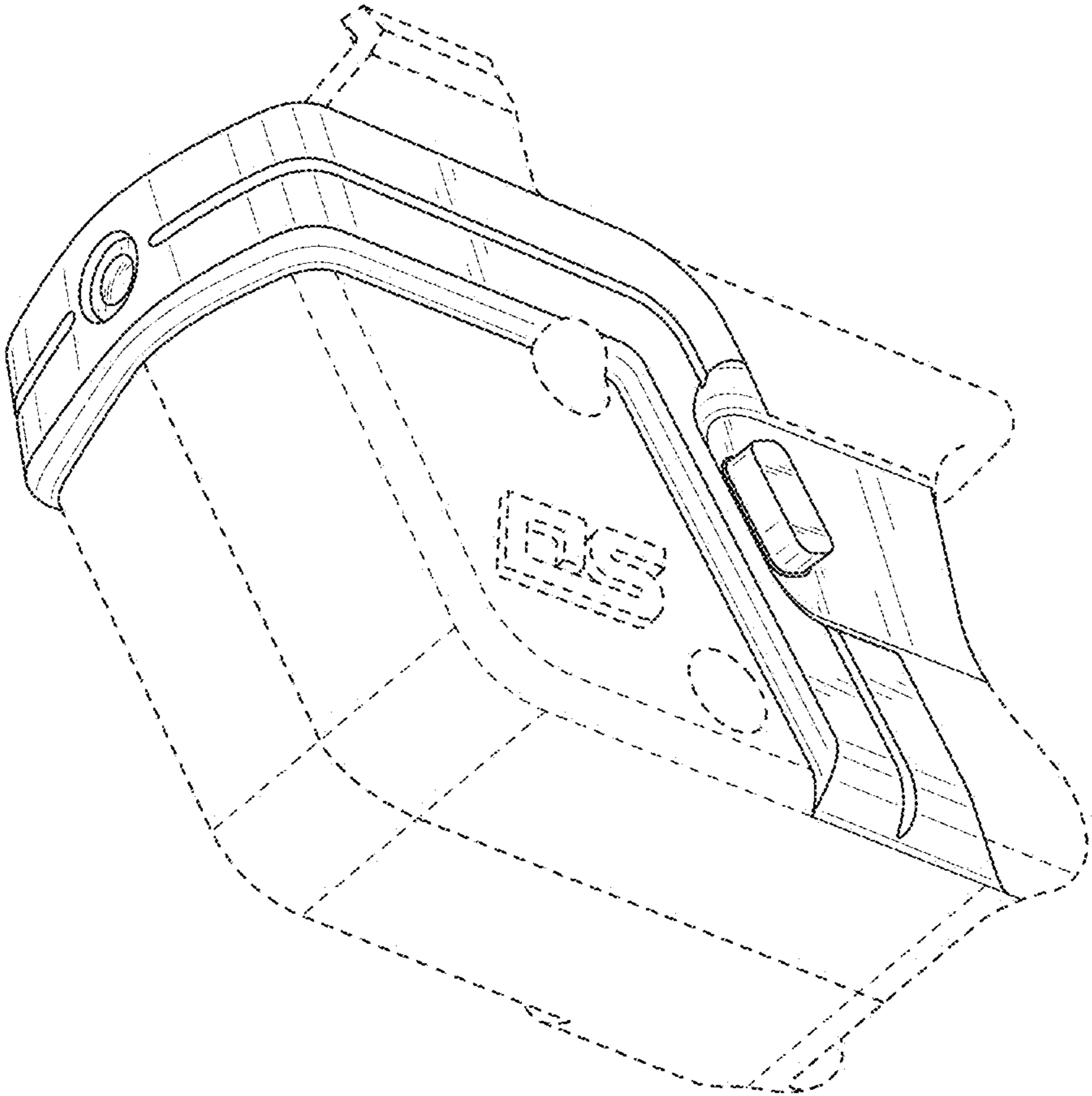


FIG. 10

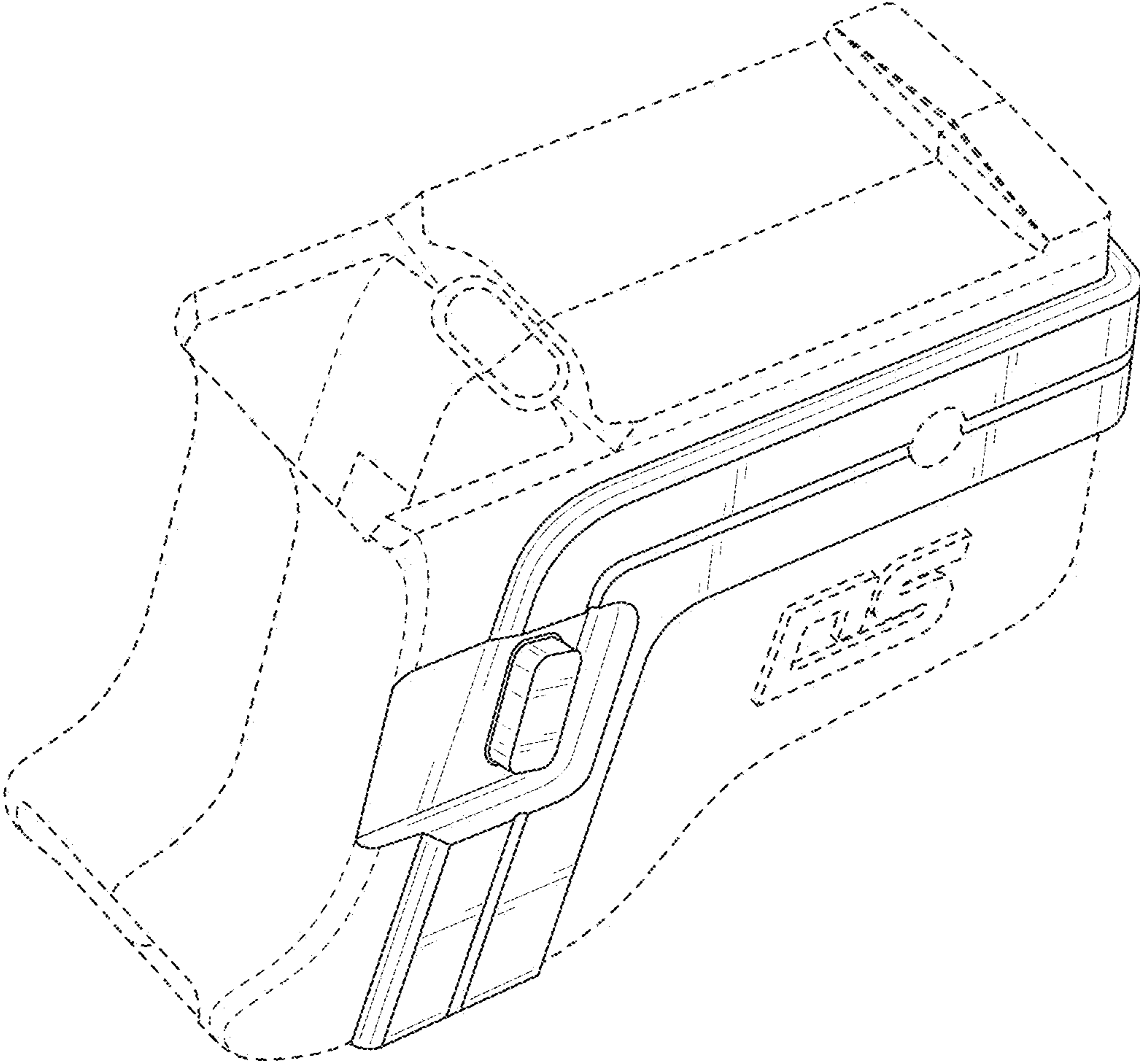


FIG. 11

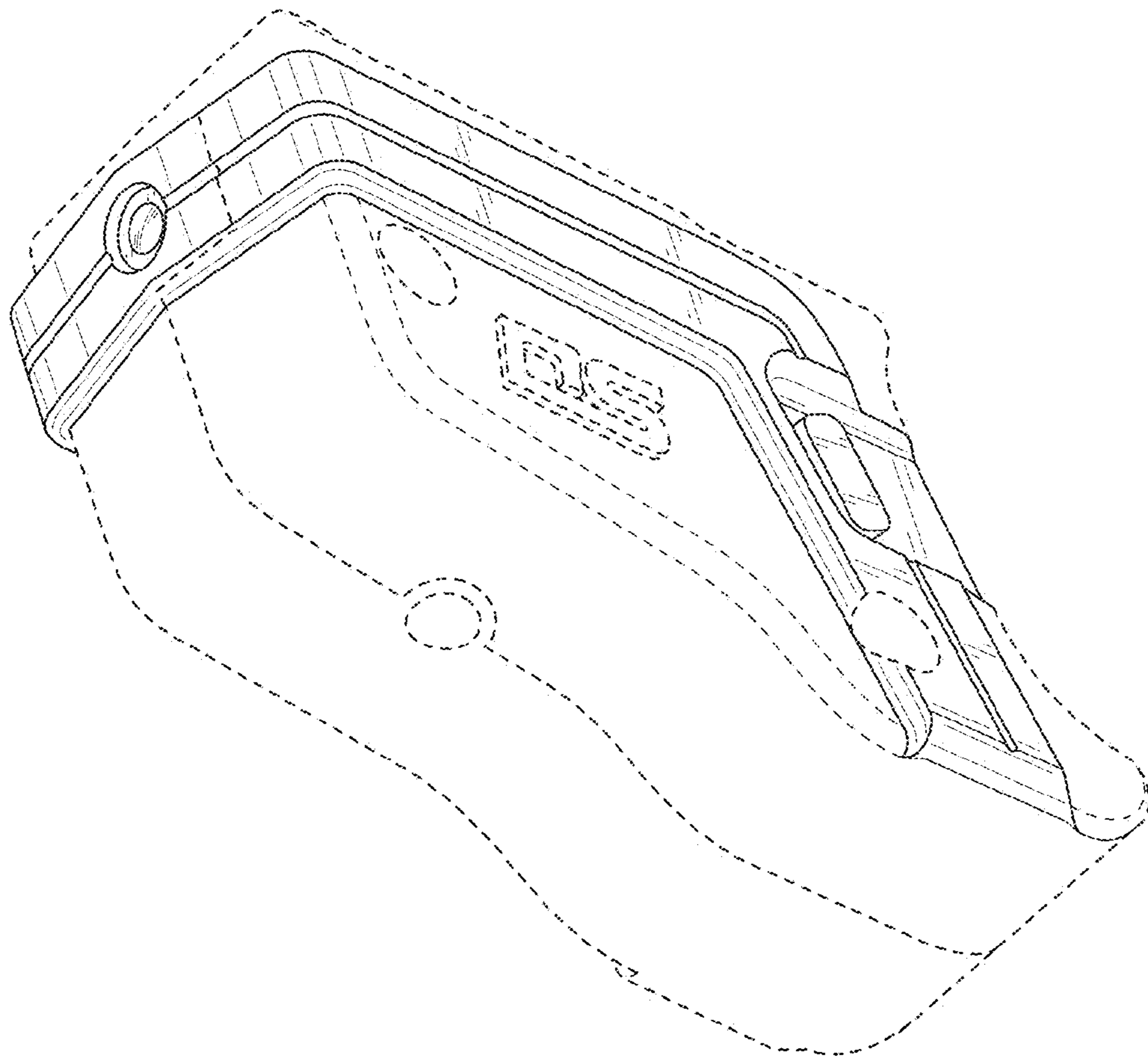


FIG. 12