



US00D709980S

(12) **United States Design Patent**
Komatsu et al.

(10) **Patent No.:** **US D709,980 S**
(45) **Date of Patent:** **** Jul. 29, 2014**

(54) **RIFLE TAIL**

(71) Applicant: **Browning Arms Company**, Morgan,
UT (US)
(72) Inventors: **Takahiro Komatsu**, Kochi Prefecture
(JP); **Shunji Okazaki**, Kochi Prefecture
(JP); **Peter Sodoma**, Layton, UT (US)
(73) Assignee: **Browning Arms Company**, Morgan,
UT (US)

(**) Term: **14 Years**

(21) Appl. No.: **29/443,061**

(22) Filed: **Jan. 11, 2013**

(51) **LOC (10) Cl.** **22-01**

(52) **U.S. Cl.**
USPC **D22/108**

(58) **Field of Classification Search**
USPC D22/103, 108; 42/71.01; 89/40.06,
89/41.19, 37.04, 33.04, 191.01, 200-204;
D21/572-575

See application file for complete search history.

(56) **References Cited**

U.S. PATENT DOCUMENTS

2,144,241	A *	1/1939	Eiane	89/145
2,396,404	A *	3/1946	Williams et al.	42/125
2,629,175	A *	2/1953	Merritt	42/128
3,387,400	A *	6/1968	Badali et al.	42/70.01
4,015,357	A *	4/1977	Andersson	42/16
4,688,345	A *	8/1987	Kilgour	42/127
4,860,480	A *	8/1989	Ruger	42/124
5,410,834	A *	5/1995	Benton et al.	42/75.02

* cited by examiner

Primary Examiner — Michael A Pratt

(74) *Attorney, Agent, or Firm* — Squire Patton Boggs (US)
LLP

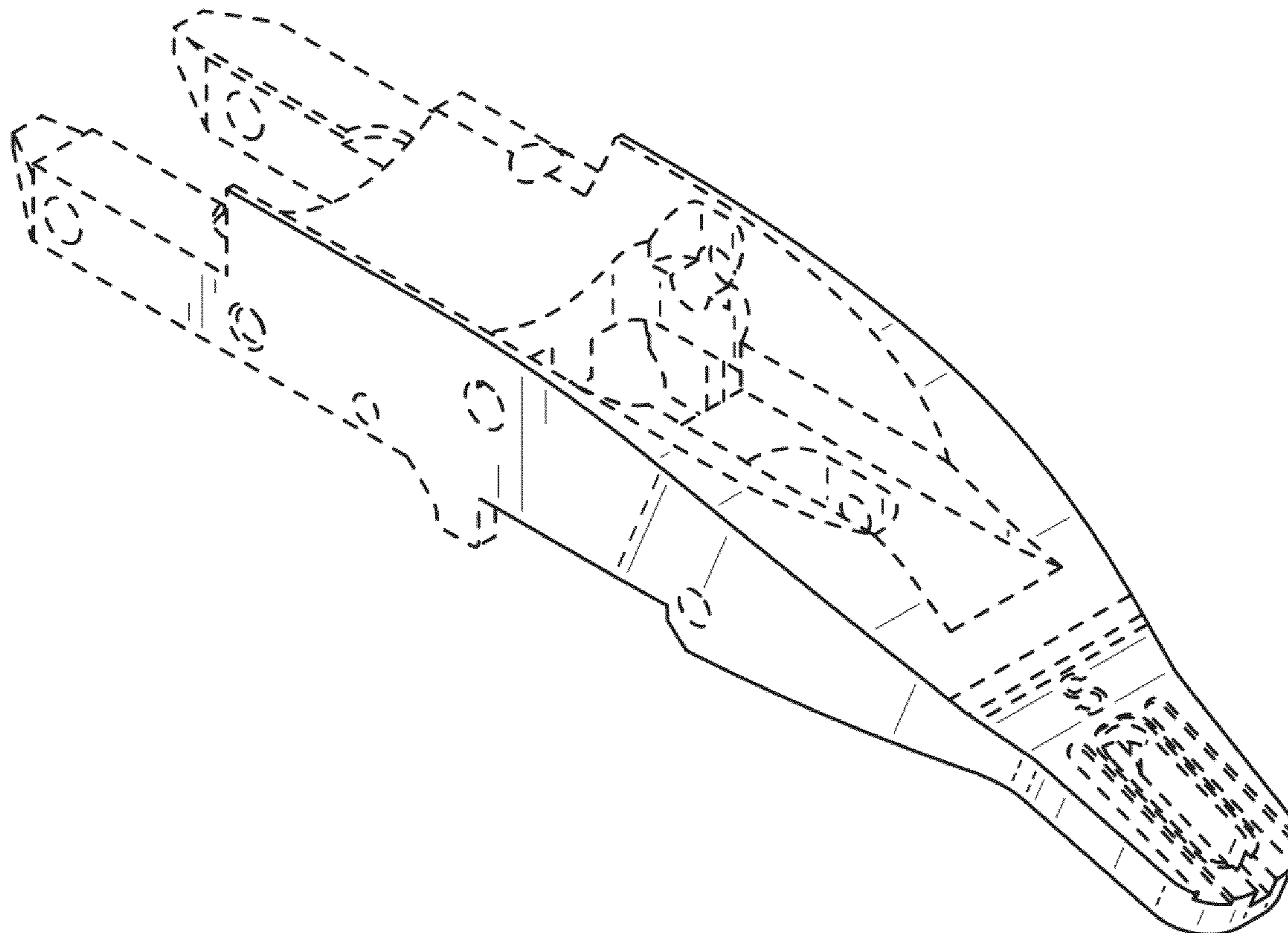
(57) **CLAIM**

The ornamental design for a rifle tail, as shown and described.

DESCRIPTION

FIG. 1 is a left side perspective view of the rifle tail.
FIG. 2 is a right side perspective view of the rifle tail.
FIG. 3 is a front end view of the rifle tail.
FIG. 4 is a back end view of the rifle tail.
FIG. 5 is a left side view of the rifle tail.
FIG. 6 is a right side view of the rifle tail.
FIG. 7 is a top view of the rifle tail; and,
FIG. 8 is a bottom view of the rifle tail.

1 Claim, 4 Drawing Sheets



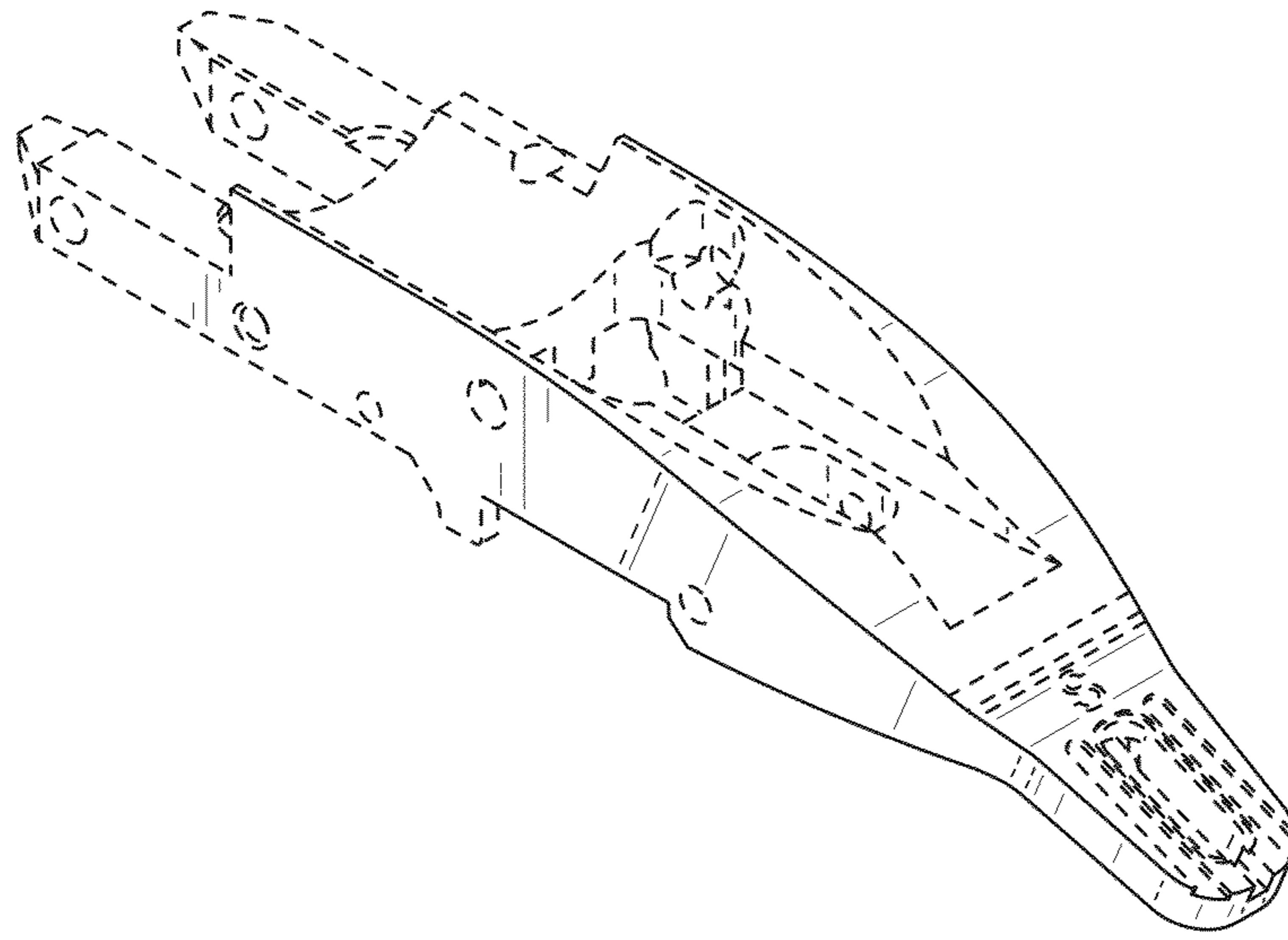


FIG. 1

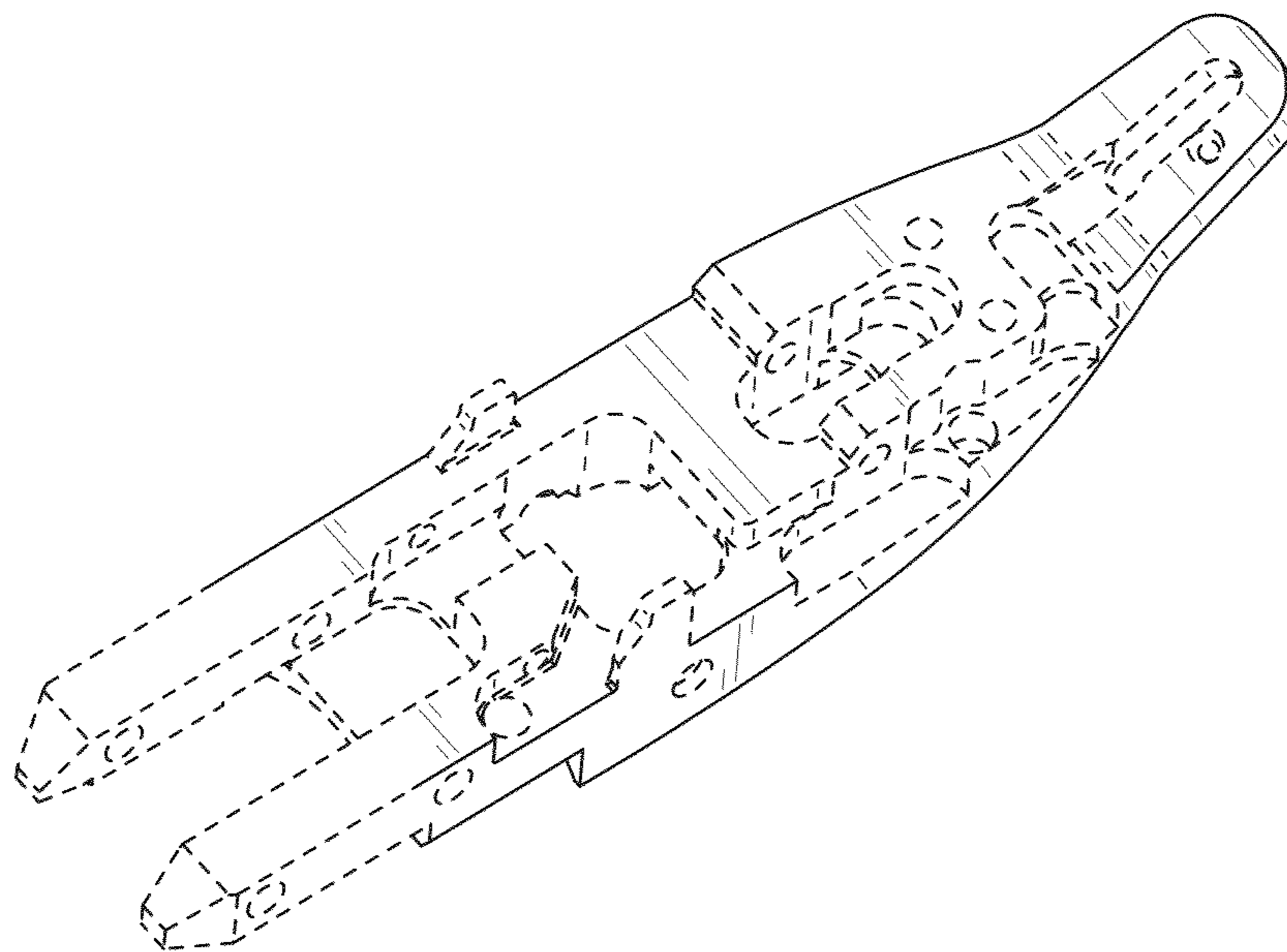


FIG. 2

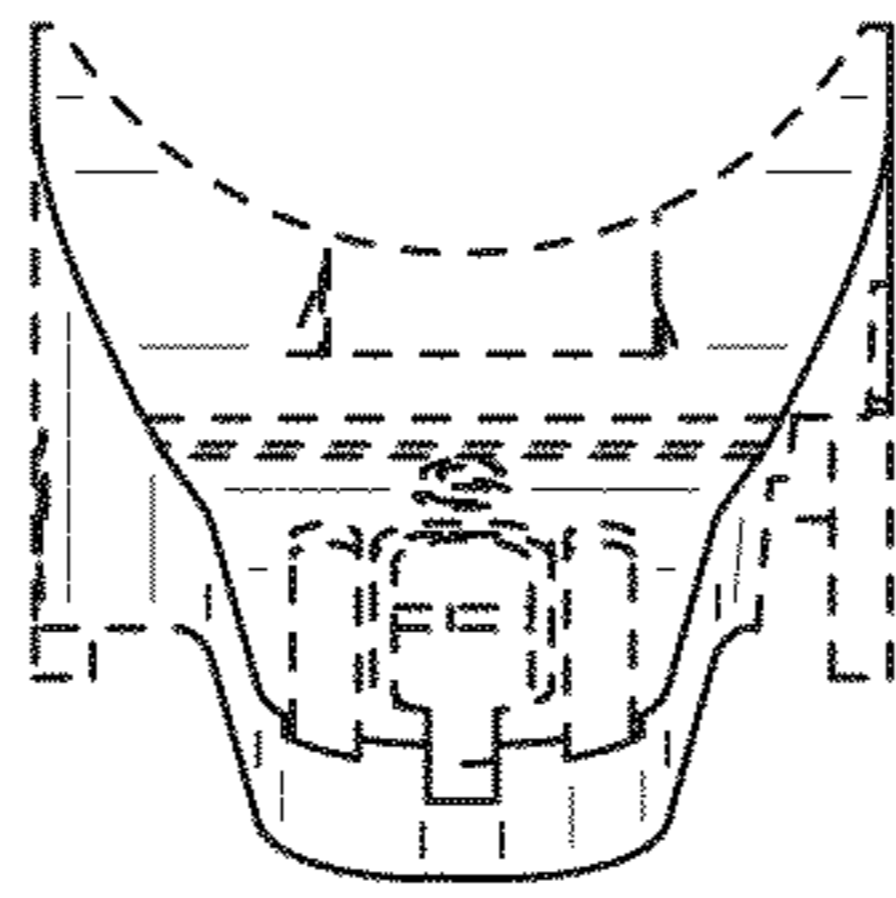


FIG. 3

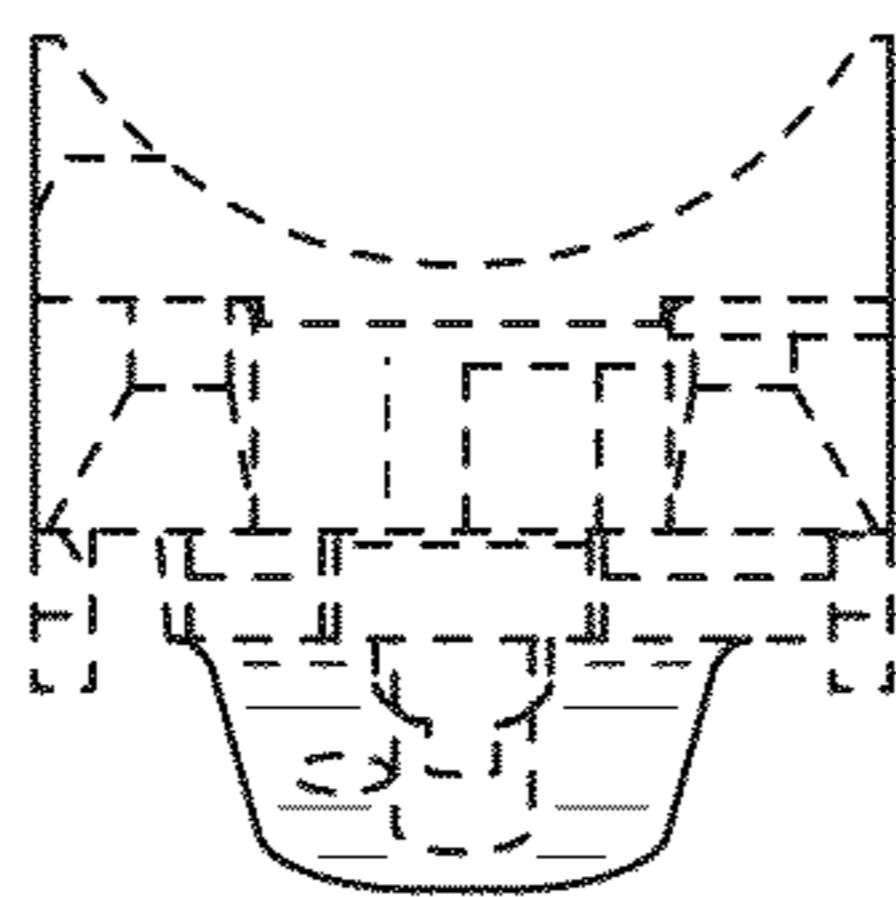


FIG. 4

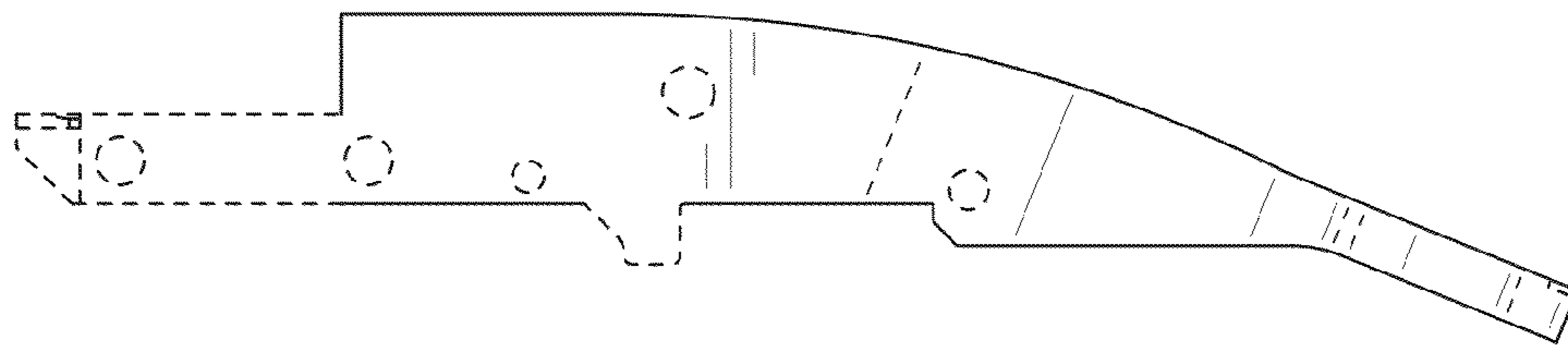


FIG. 5

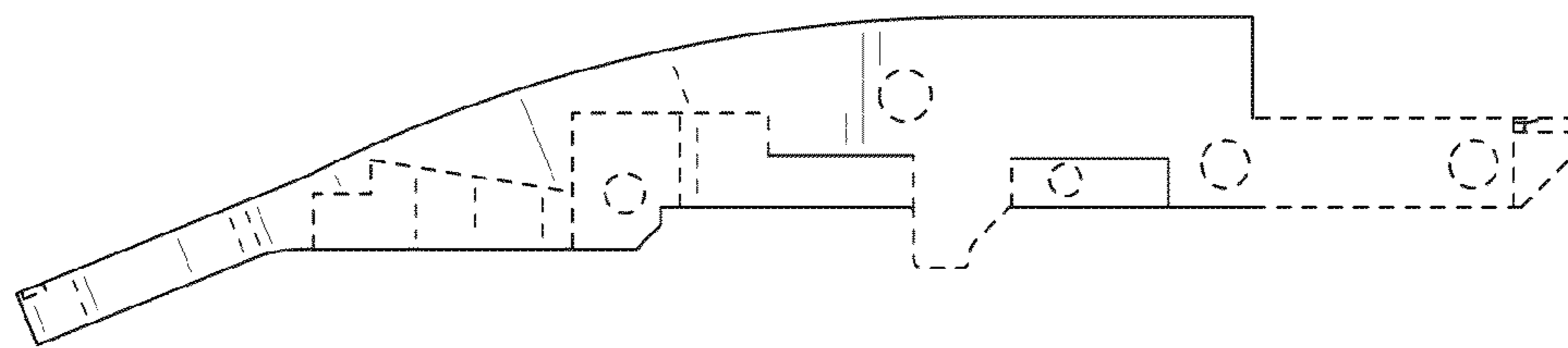


FIG. 6

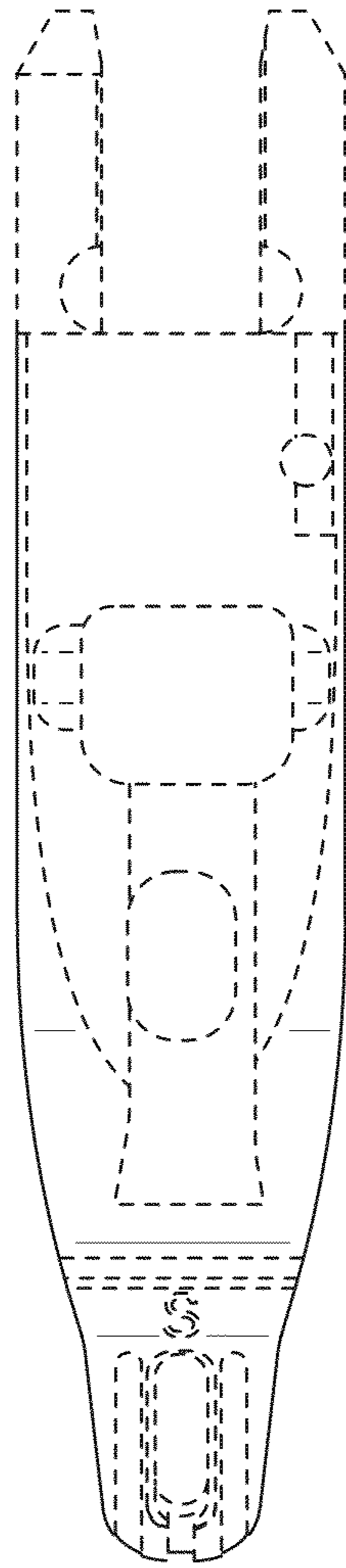


FIG. 7

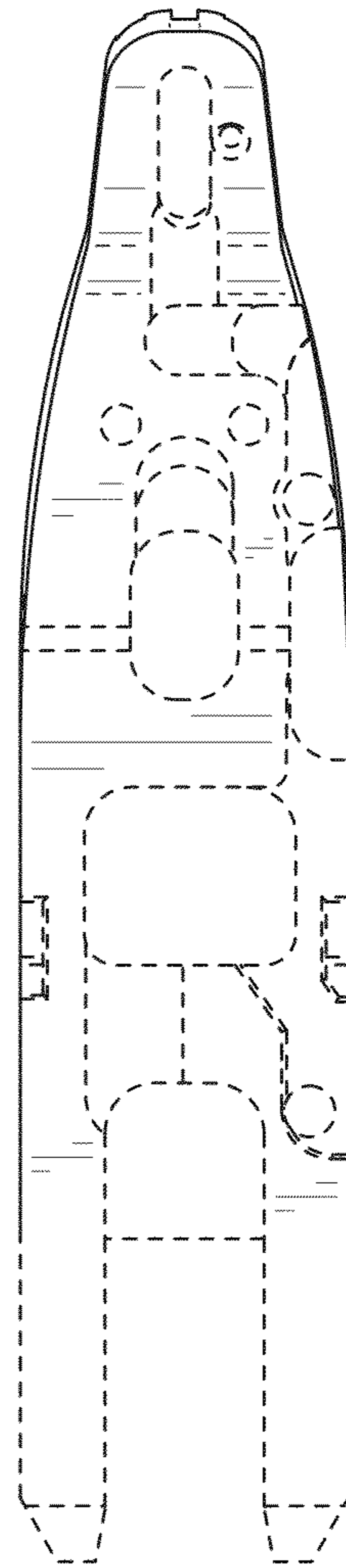


FIG. 8