



US00D709979S

(12) **United States Design Patent**
Prieto

(10) **Patent No.:** **US D709,979 S**
(45) **Date of Patent:** **** Jul. 29, 2014**

- (54) **MODIFIED MOUNTING CLAMP**
- (75) Inventor: **Jaime Prieto**, Forth Worth, TX (US)
- (73) Assignee: **Alliance Sports Group, L.P.**, Grand Prairie, TX (US)
- (**) Term: **14 Years**
- (21) Appl. No.: **29/424,931**
- (22) Filed: **Jun. 18, 2012**
- (51) **LOC (10) Cl.** **22-01**
- (52) **U.S. Cl.**
USPC **D22/108**
- (58) **Field of Classification Search**
USPC D22/100, 101, 104, 108; 42/71.01,
42/71.02, 73, 124, 125, 126; 89/37.01,
89/37.04; D8/396
See application file for complete search history.

D415,239 S	10/1999	Fell et al.
6,017,008 A	1/2000	Farley
D424,651 S	5/2000	Primeau, IV
6,277,069 B1	8/2001	Gray
6,435,565 B2	8/2002	Potts et al.
6,536,982 B2	3/2003	Gibbons et al.
6,668,479 B1	12/2003	Obong
7,308,739 B2	12/2007	Andersen et al.
7,314,331 B1	1/2008	Koros et al.
D588,227 S	3/2009	Swenson et al.
D657,840 S	4/2012	Prieto
D693,423 S *	11/2013	Beckett et al. D22/108

* cited by examiner

Primary Examiner — Deanna L Pratt
Assistant Examiner — Harold Blackwell, II
(74) *Attorney, Agent, or Firm* — Thorpe North & Western LLP

(57) **CLAIM**
The ornamental design for the modified mounting clamp, as shown and described herein.

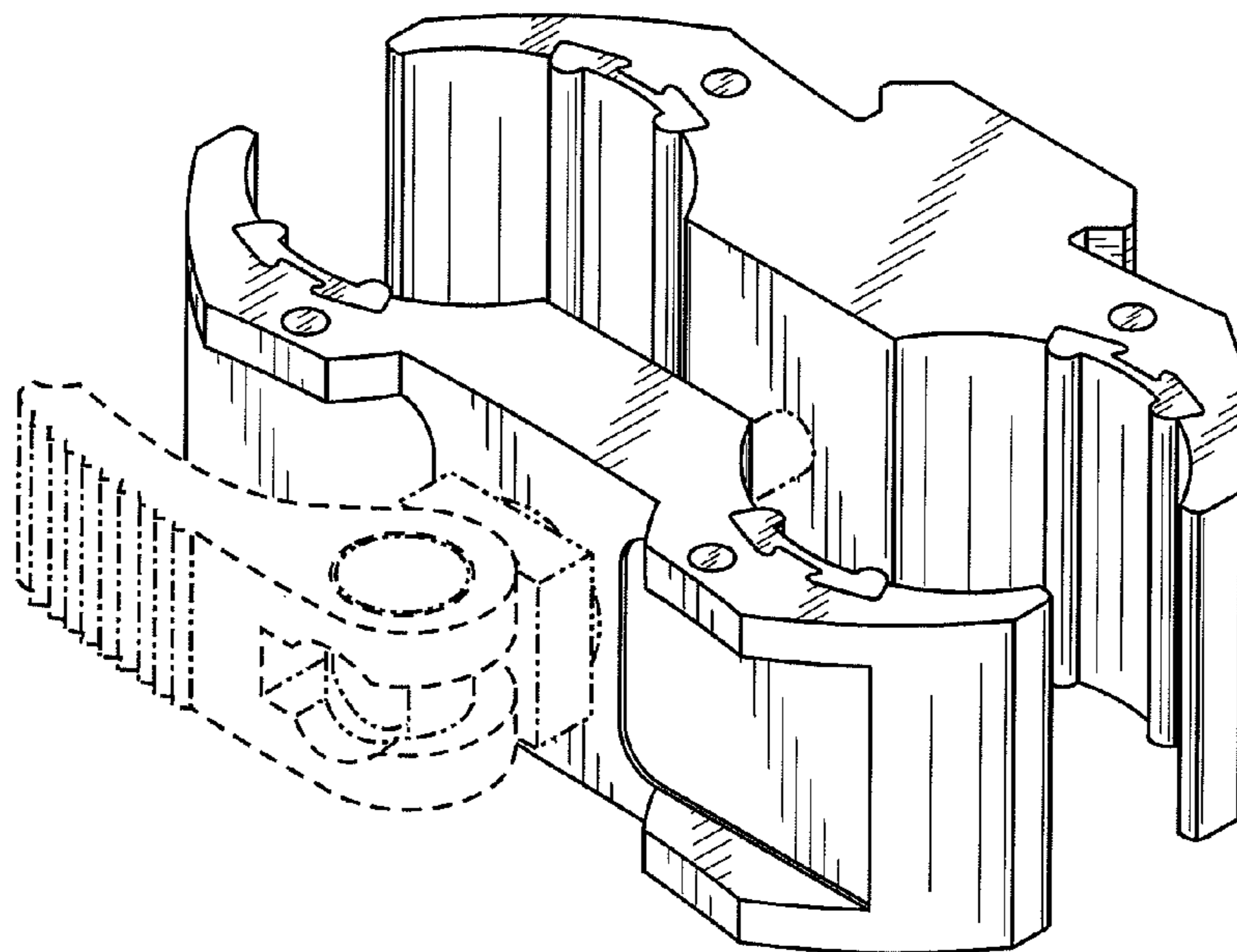
(56) **References Cited**
U.S. PATENT DOCUMENTS

2,452,406 A	10/1948	Volkery et al.
4,097,169 A	6/1978	Kelly
D281,804 S *	12/1985	Bechtel D22/108
D281,894 S *	12/1985	Bechtel D22/108
4,799,641 A	1/1989	Koreski
D318,313 S	7/1991	Bechtel
D331,442 S	12/1992	Bechtel
5,172,877 A	12/1992	Hattori et al.
5,181,684 A	1/1993	Sager
5,593,205 A	1/1997	Vanderminden, Sr. et al.
D394,096 S	5/1998	Edgar
5,769,556 A	6/1998	Colley
5,921,517 A	7/1999	Meuth
5,931,423 A	8/1999	Heideloff
5,941,483 A	8/1999	Baginski

DESCRIPTION

FIG. 1 is an elevated, perspective view of the modified mounting clamp in accordance with my invention;
FIG. 2 is an additional elevated, perspective view of the modified mounting clamp in accordance with my invention
FIG. 3 is a side view thereof;
FIG. 4 is a top view thereof;
FIG. 5 is a bottom view thereof;
FIG. 6 is an end view, taken from the left side of FIG. 3; and,
FIG. 7 is an end view, taken from the right side of FIG. 3.
The broken lines in the drawings illustrate portions of the modified mounting clamp which form no part of the claimed design.

1 Claim, 3 Drawing Sheets



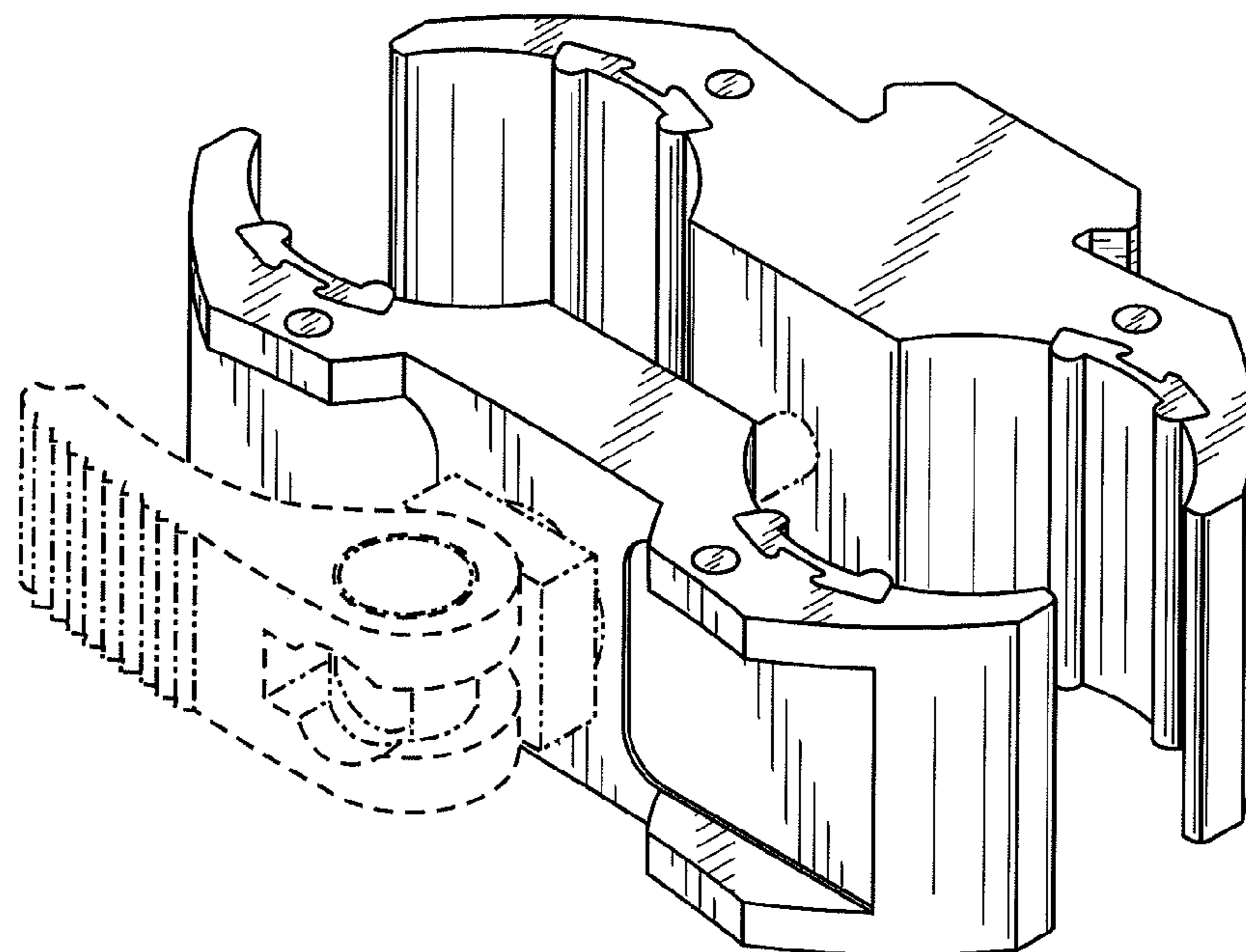


FIG. 1

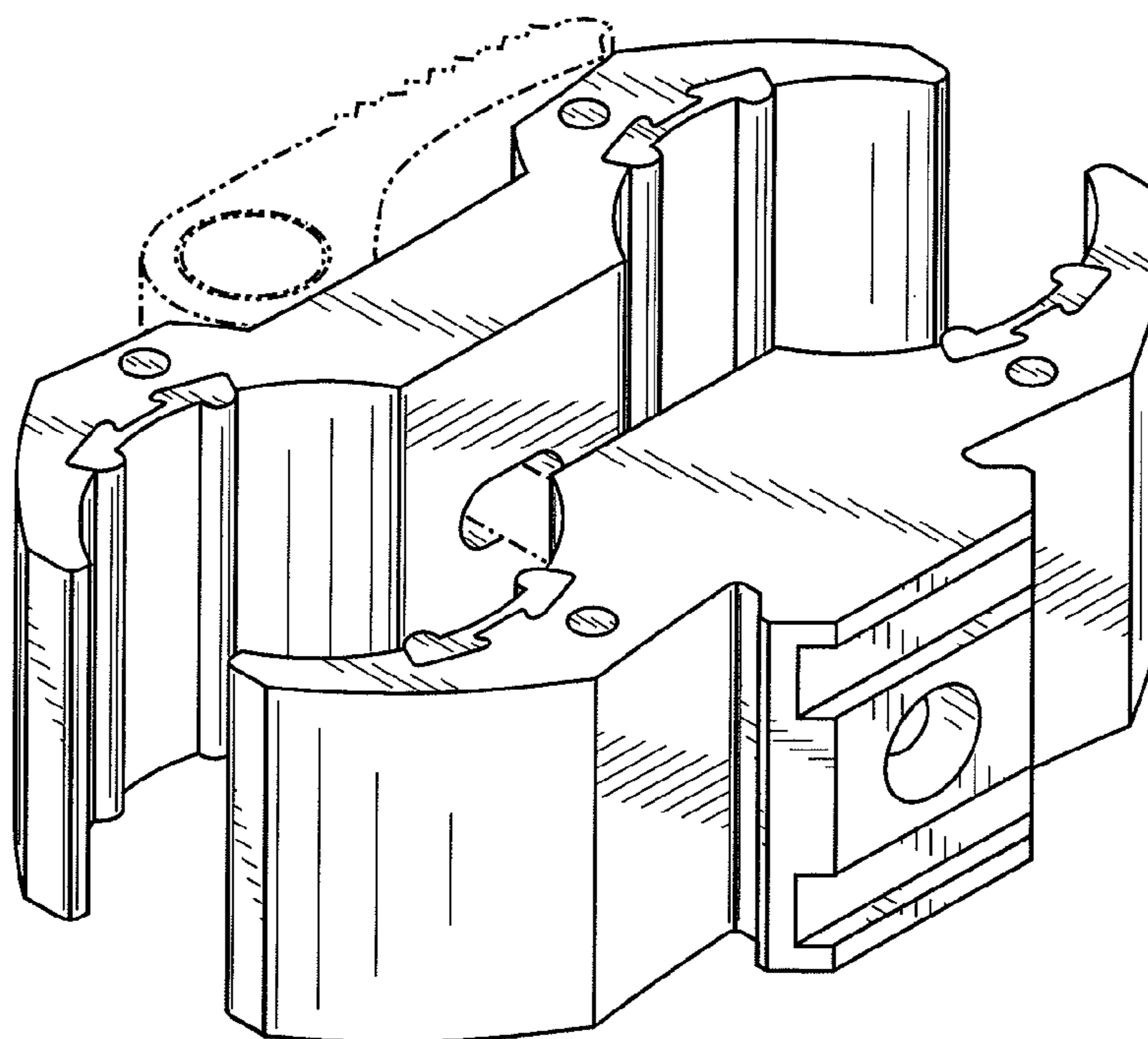


FIG. 2

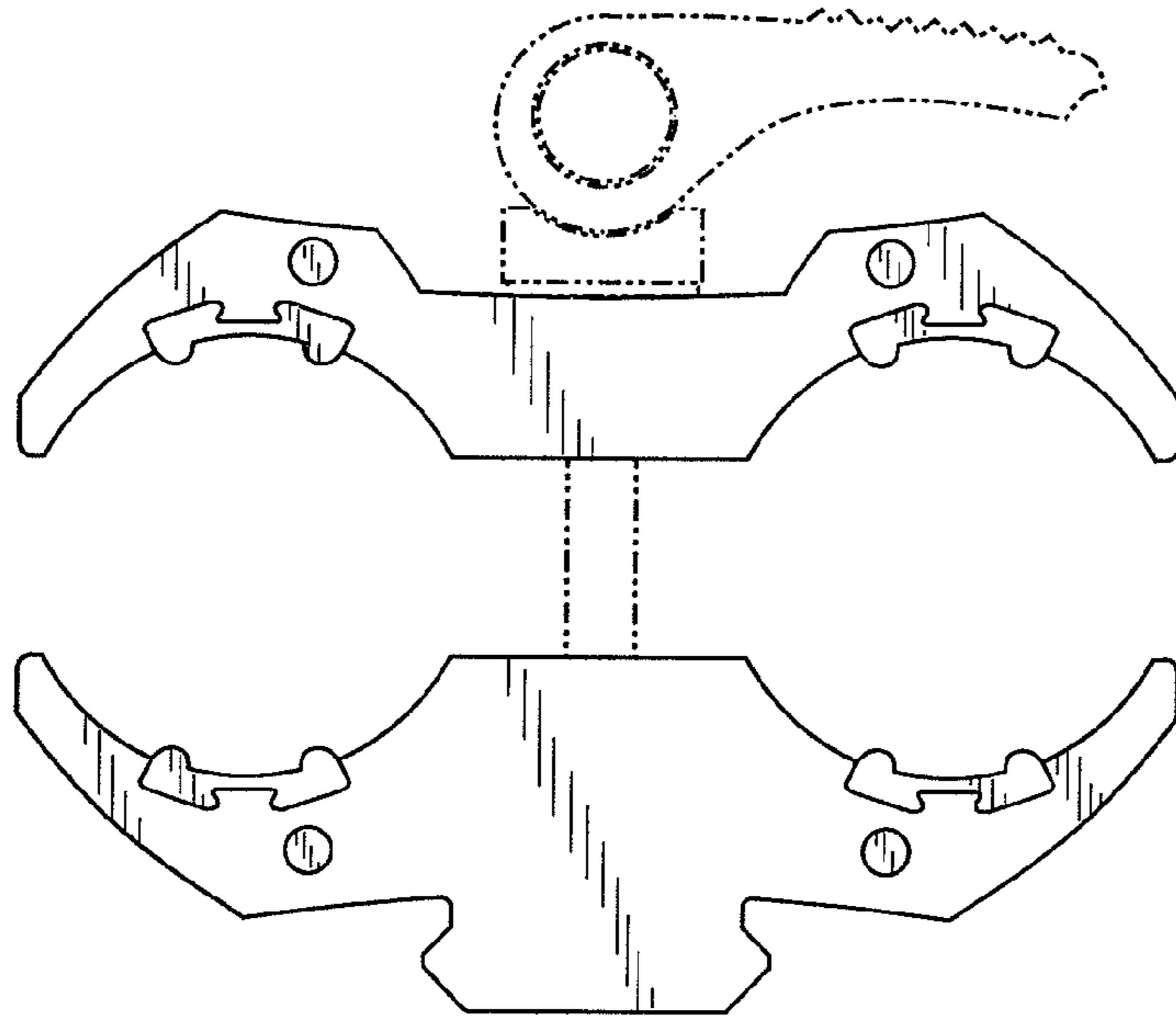


FIG. 3

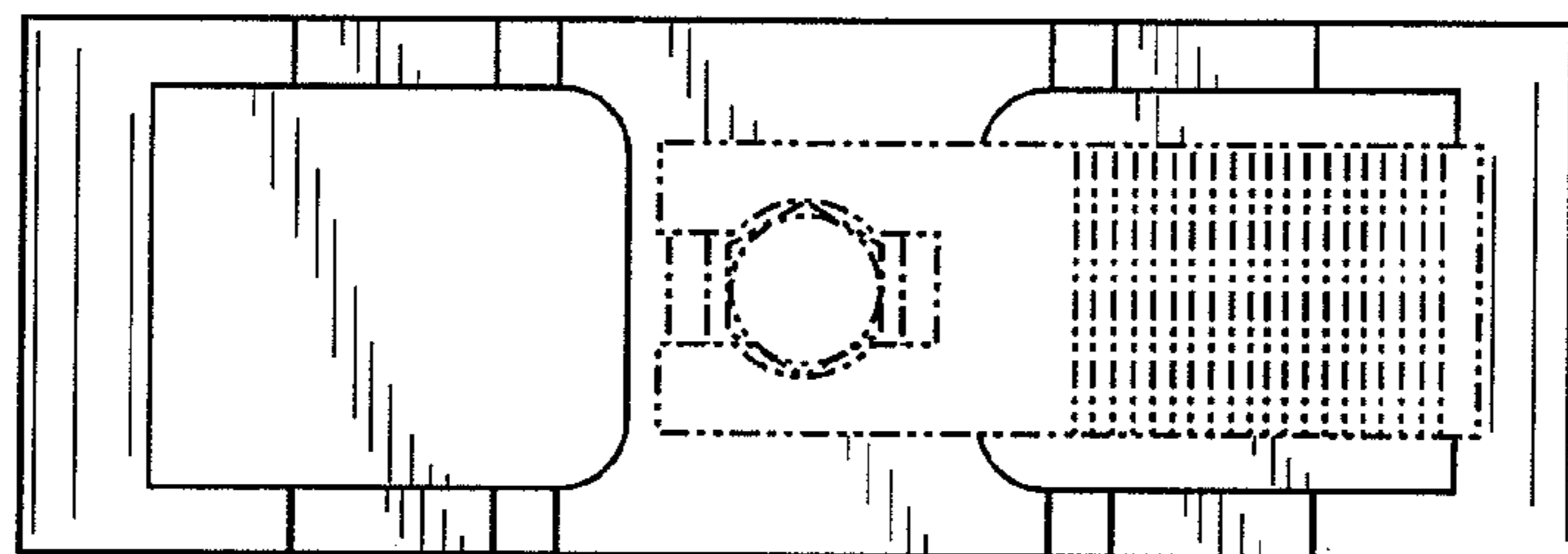


FIG. 4

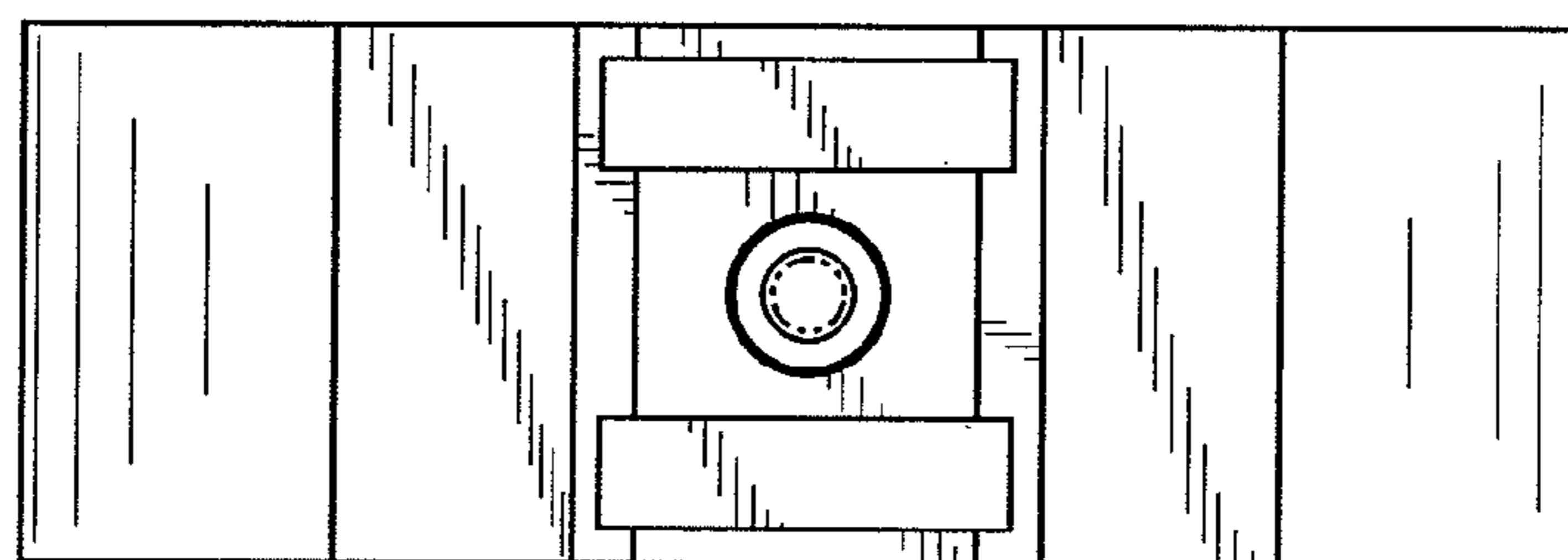


FIG. 5

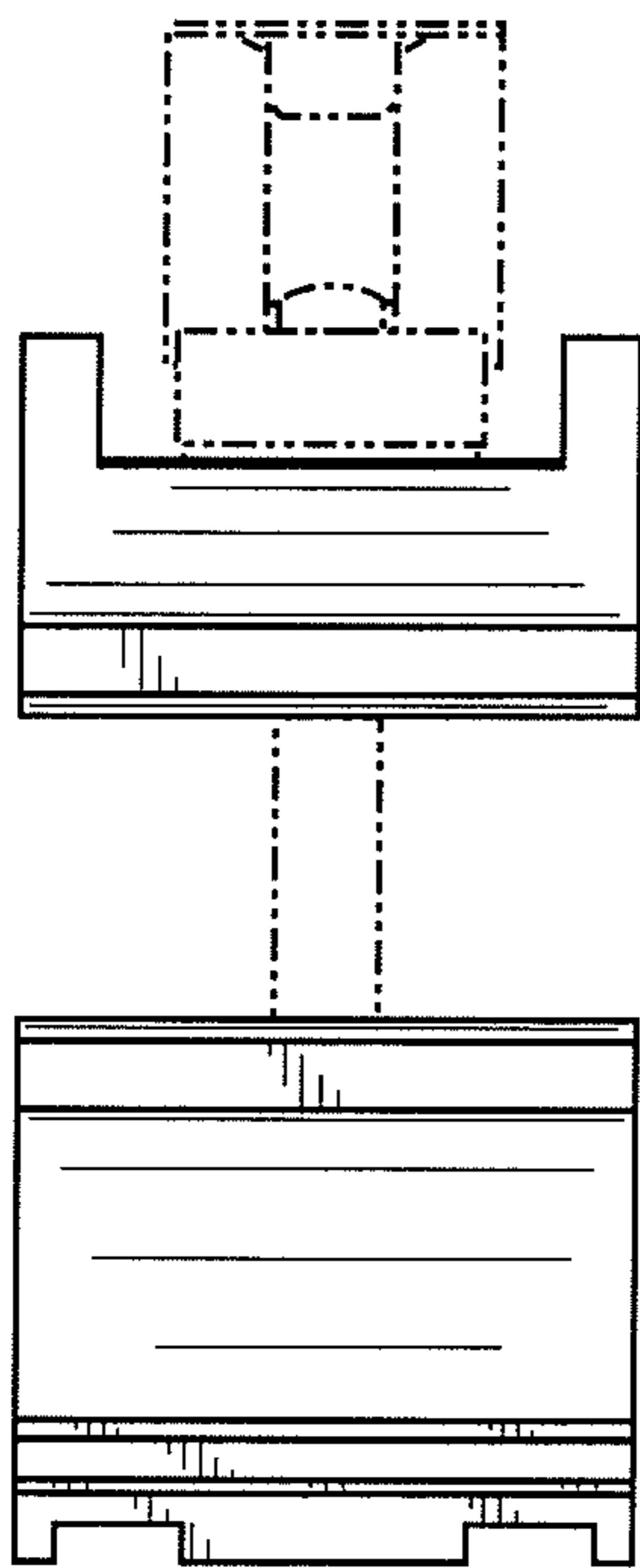


FIG. 6

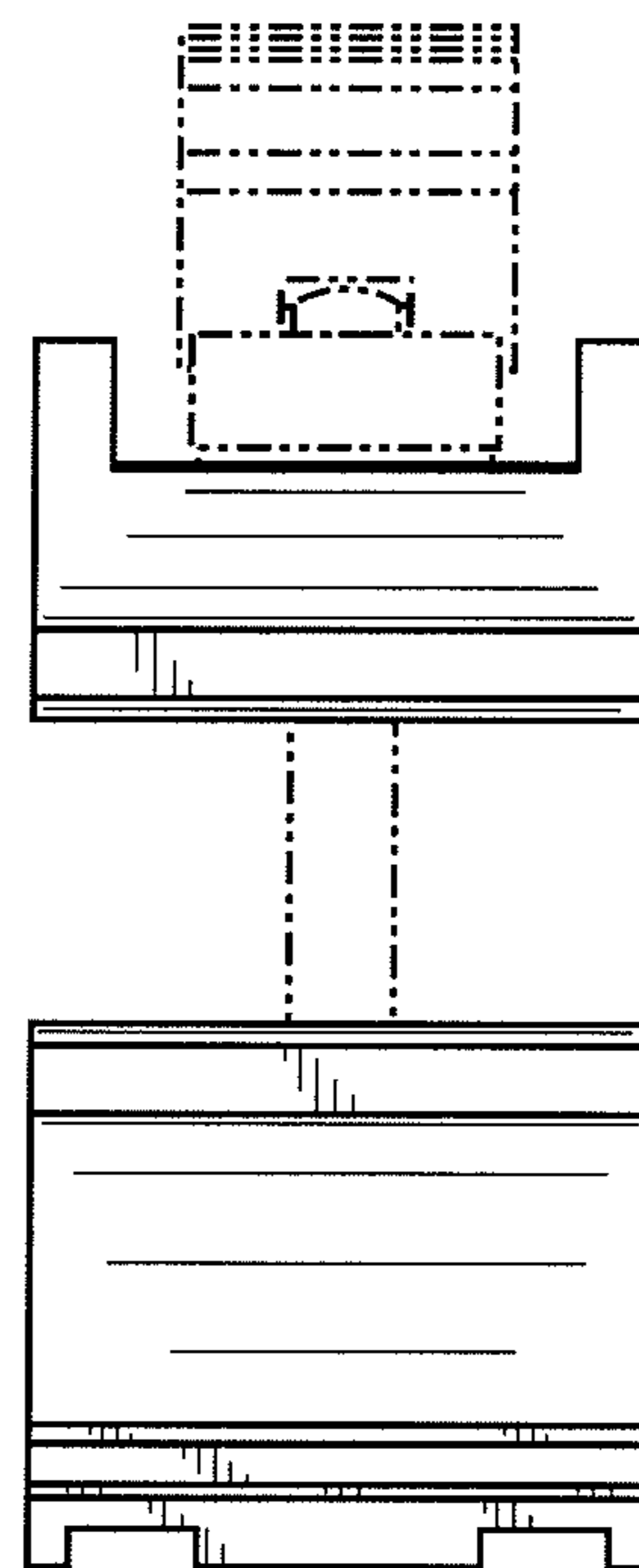


FIG. 7