



US00D709978S

(12) **United States Design Patent**  
**Pierce**

(10) **Patent No.:** **US D709,978 S**

(45) **Date of Patent:** **\*\* Jul. 29, 2014**

(54) **ARROWHEAD**

(71) Applicant: **Rac Em Bac, L.L.C.**, DeQuincy, LA  
(US)

(72) Inventor: **William Fred Pierce**, DeQuincy, LA  
(US)

(73) Assignee: **Rac Em Bac, L.L.C.**, DeQuincy, LA  
(US)

(\*\*) Term: **14 Years**

(21) Appl. No.: **29/443,324**

(22) Filed: **Jan. 16, 2013**

(51) **LOC (10) Cl.** ..... **22-01**

(52) **U.S. Cl.**  
USPC ..... **D22/107**

(58) **Field of Classification Search**  
USPC ..... D22/107, 115; 473/582, 578; 43/6;  
403/349

See application file for complete search history.

(56) **References Cited**

**U.S. PATENT DOCUMENTS**

4,944,520 A \* 7/1990 Fingerson et al. .... 473/582  
6,077,179 A \* 6/2000 Liechty, II ..... 473/582

6,258,000	B1 *	7/2001	Liechty, II	.....	473/583
6,306,053	B1 *	10/2001	Liechty, II	.....	473/583
6,887,172	B2 *	5/2005	Arasmith	.....	473/583
D566,805	S *	4/2008	Earl	.....	D22/115
7,422,533	B1 *	9/2008	Johnson	.....	473/584
D583,897	S *	12/2008	Ward	.....	D22/107
7,771,297	B2 *	8/2010	Kuhn	.....	473/583
7,951,023	B2 *	5/2011	Perkins, Jr.	.....	473/583
8,480,520	B2 *	7/2013	Webber et al.	.....	473/582
8,545,349	B1 *	10/2013	Budris et al.	.....	473/583
2002/0055404	A1 *	5/2002	Liechty, II	.....	473/583

\* cited by examiner

*Primary Examiner* — Michael A Pratt

(74) *Attorney, Agent, or Firm* — Schultz & Associates, P.C.

(57) **CLAIM**

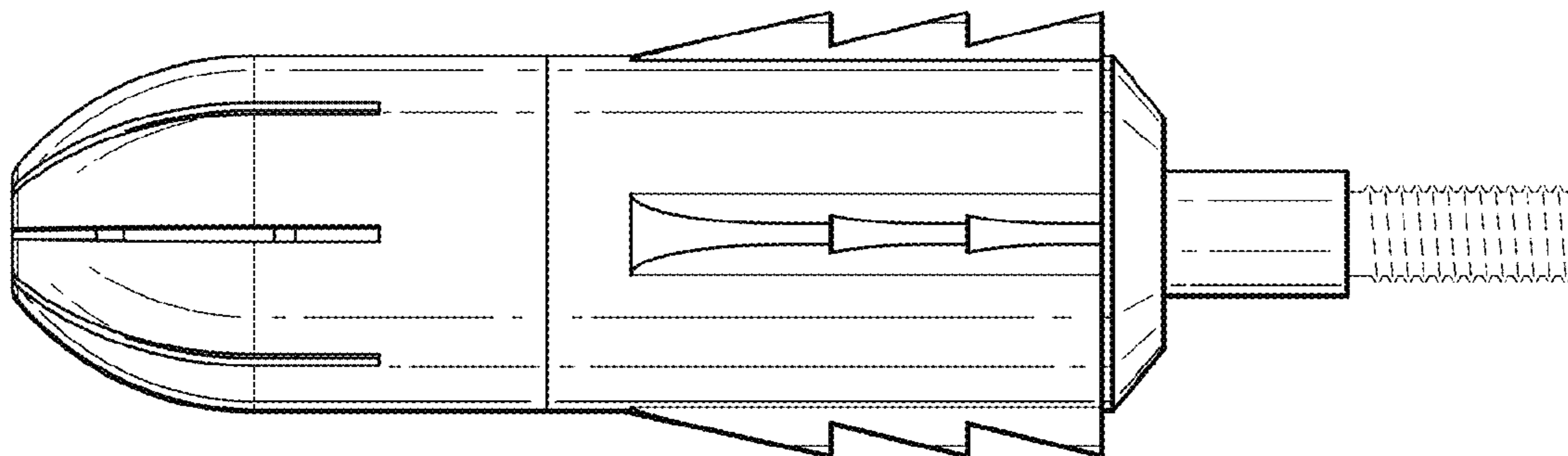
The ornamental design for an arrowhead, as shown and described.

**DESCRIPTION**

FIG. 1 is a side view of an arrowhead showing my new design; FIG. 2 is an end view thereof; and, FIG. 3 is an end view thereof.

Any broken lines shown represent unclaimed subject matter and form no part of the claimed design.

**1 Claim, 1 Drawing Sheet**



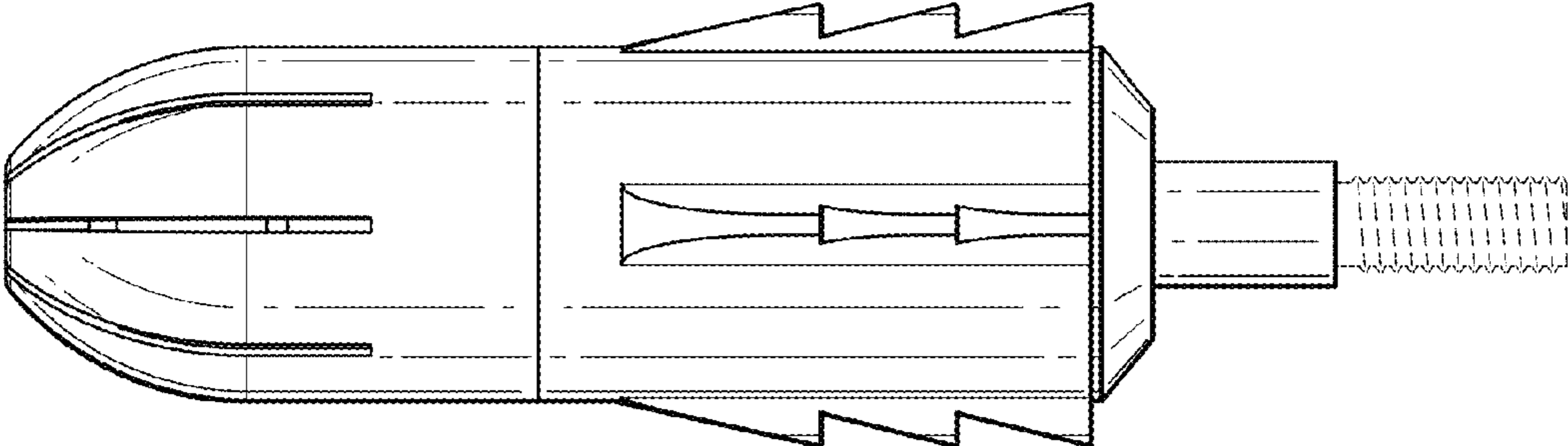


FIG. 1

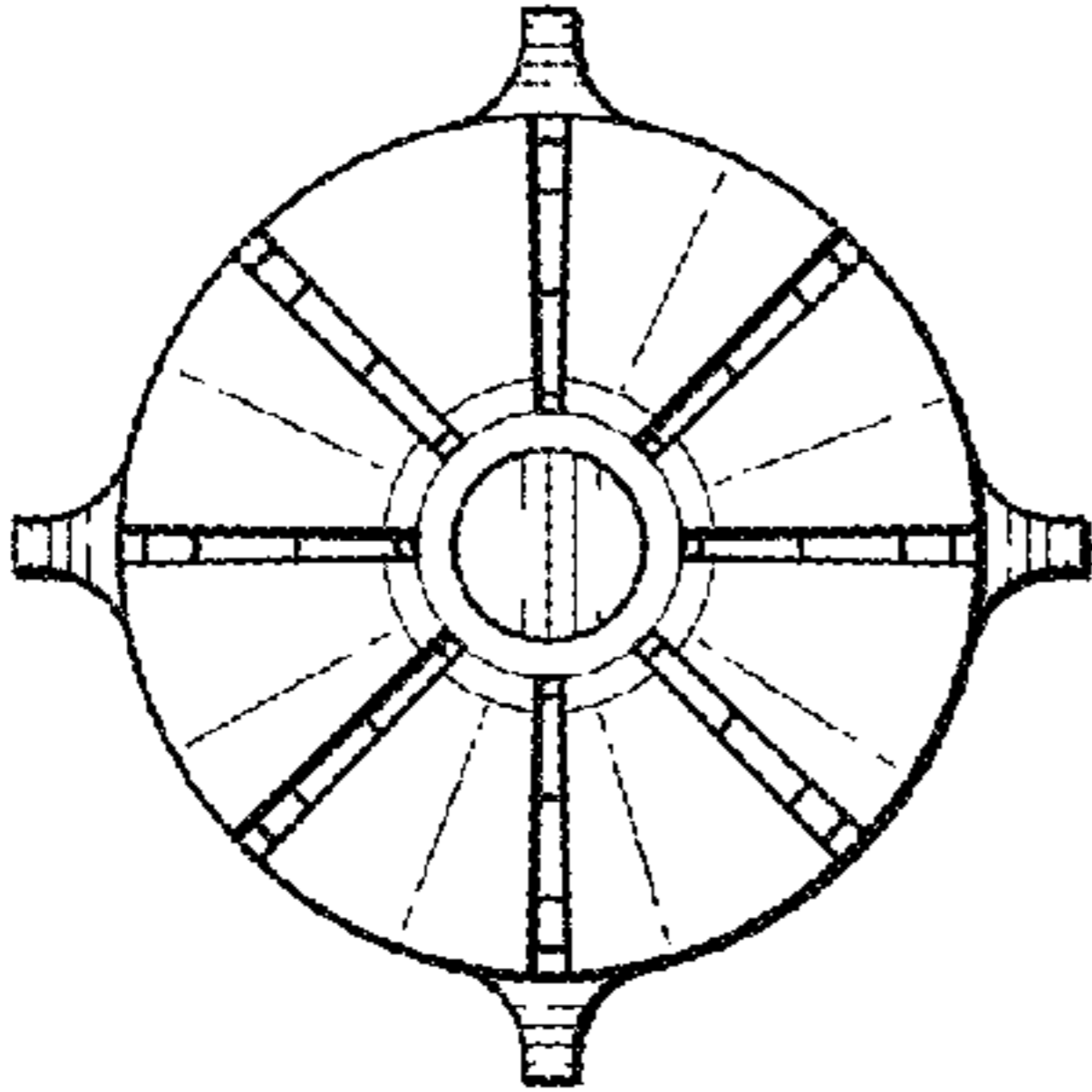


FIG. 2

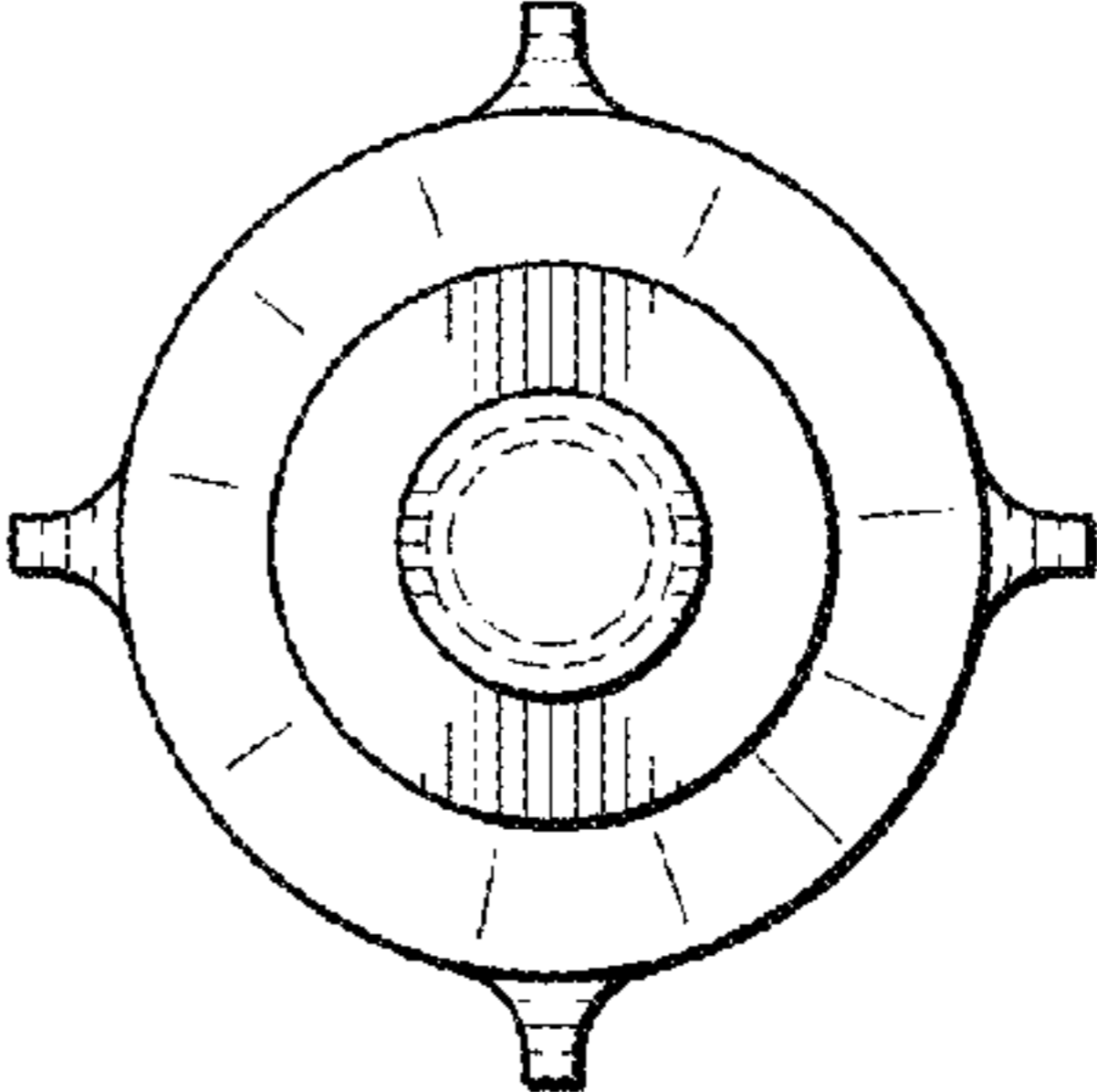


FIG. 3