



US00D709977S

(12) **United States Design Patent**
Mills

(10) **Patent No.:** **US D709,977 S**

(45) **Date of Patent:** **** Jul. 29, 2014**

(54) **GOLF TRAINING DEVICE**

(71) Applicant: **Steven Mills**, Marion, OH (US)

(72) Inventor: **Steven Mills**, Marion, OH (US)

(**) Term: **14 Years**

(21) Appl. No.: **29/457,955**

(22) Filed: **Jun. 14, 2013**

(51) **LOC (10) Cl.** **21-02**

(52) **U.S. Cl.**
USPC **D21/791**

(58) **Field of Classification Search**
USPC D21/789, 791, 753; 473/206, 212, 219,
473/227, 294
See application file for complete search history.

(56) **References Cited**

U.S. PATENT DOCUMENTS

760,161	A *	5/1904	Smith	473/294
2,938,728	A *	5/1960	Green	473/206
4,145,054	A *	3/1979	Stewart	473/227
4,819,944	A *	4/1989	Doane	473/256
D356,135	S *	3/1995	Slusher	D21/759
6,071,199	A *	6/2000	Suzuki	473/294
6,491,591	B1 *	12/2002	Schuster	473/212
D538,873	S *	3/2007	Officer	D21/791

D579,068	S *	10/2008	Souders et al.	D21/753
D581,005	S *	11/2008	Rush	D21/791
2006/0122000	A1 *	6/2006	Paredes et al.	473/219

* cited by examiner

Primary Examiner — Mitchell Siegel

(74) *Attorney, Agent, or Firm* — Dale J. Ream

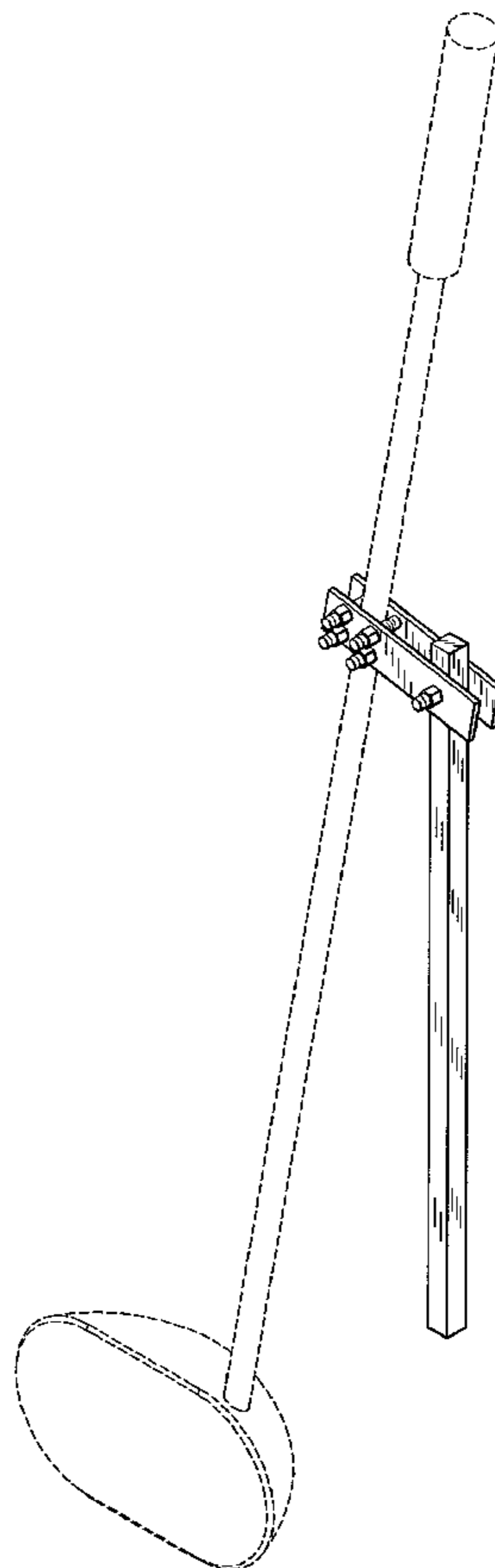
(57) **CLAIM**

The ornamental design for a golf training device, as shown and described.

DESCRIPTION

FIG. 1 is a perspective view of a golf training device showing my new design in use with a golf club;
FIG. 2 is a perspective view of a golf training device showing my new design;
FIG. 3 is a front view thereof;
FIG. 4 is a back view thereof;
FIG. 5 is a left side view thereof;
FIG. 6 is a right side view thereof;
FIG. 7 is a top view thereof; and,
FIG. 8 is a bottom view thereof.
In the drawings, the broken lines showing a golf club illustrate environment and form no part of the claimed design.

1 Claim, 4 Drawing Sheets



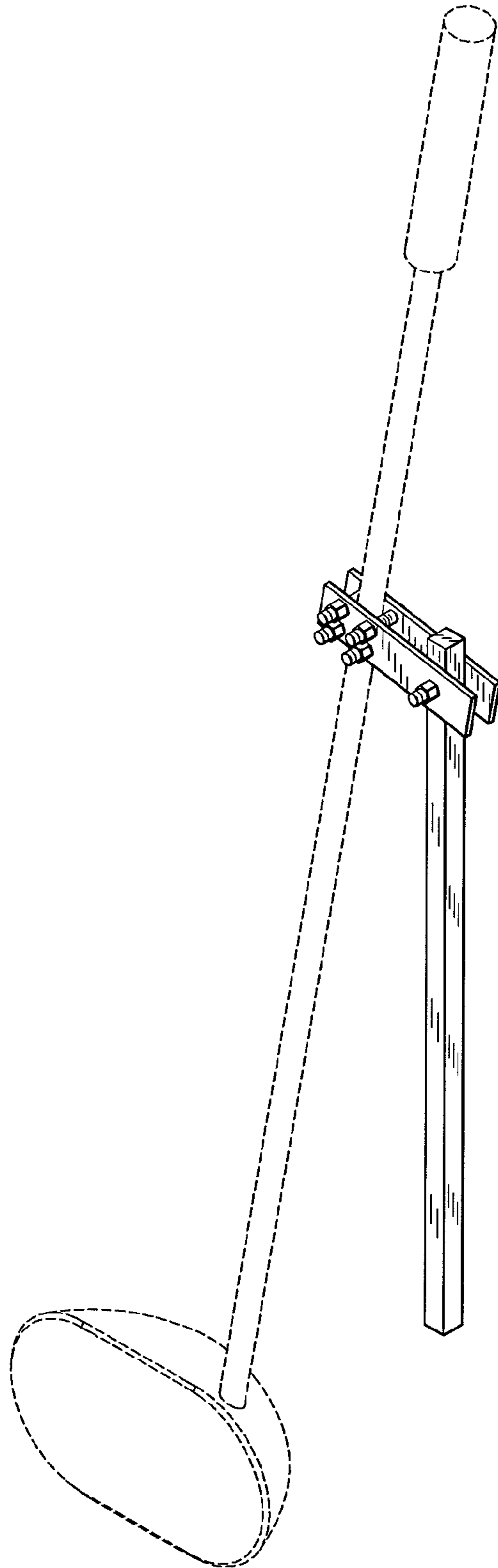


Fig. 1

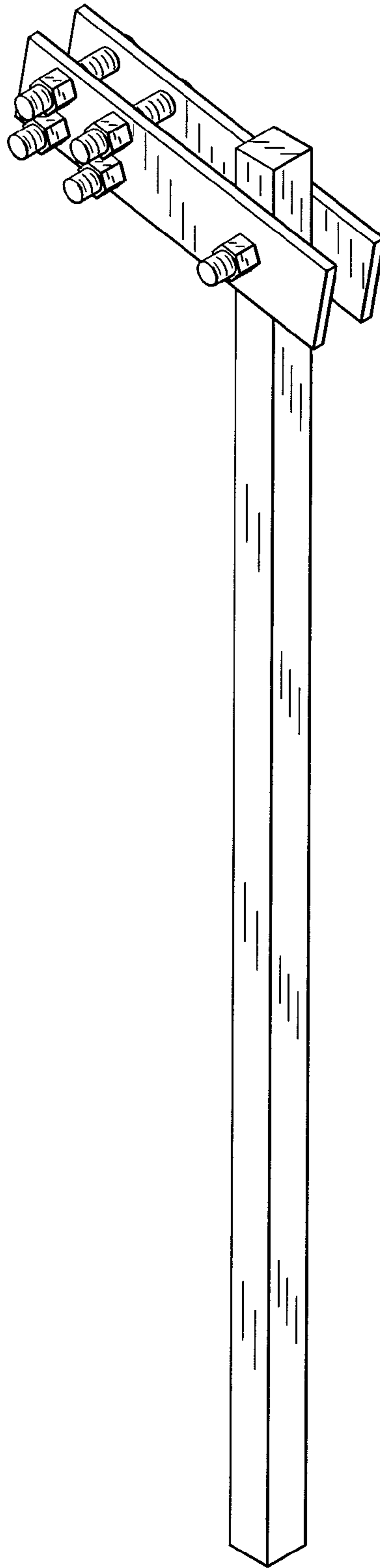


Fig. 2

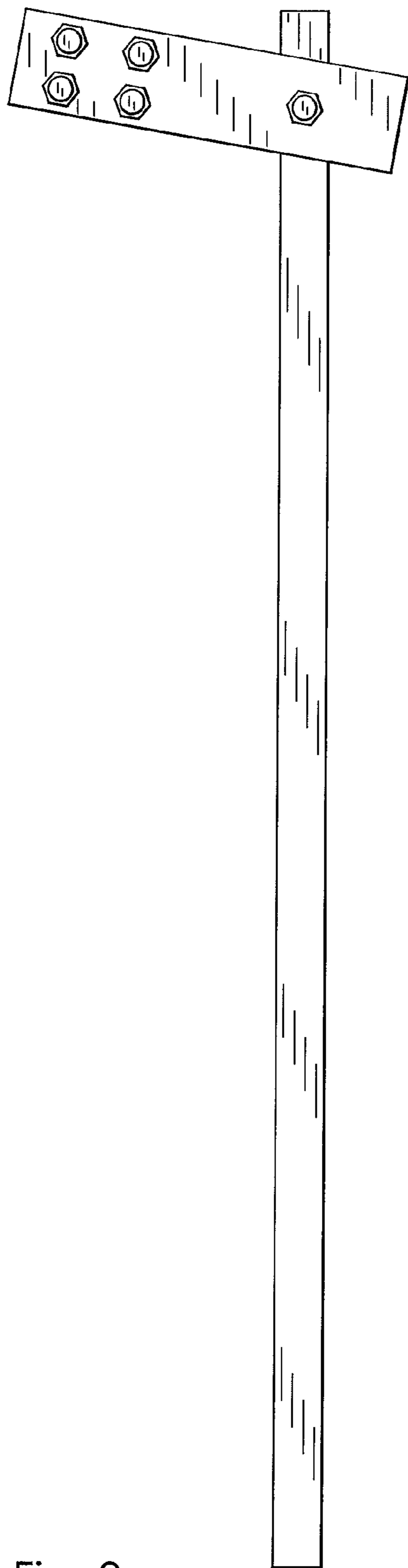


Fig. 3

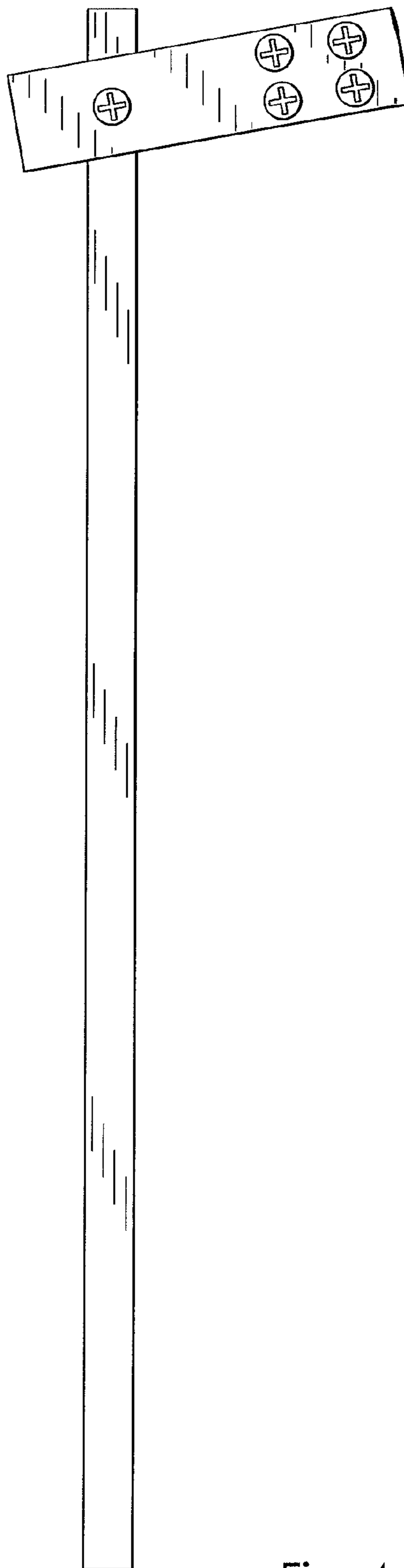


Fig. 4

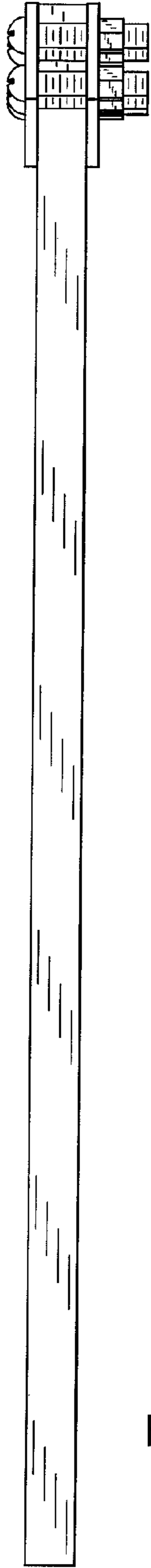


Fig. 5

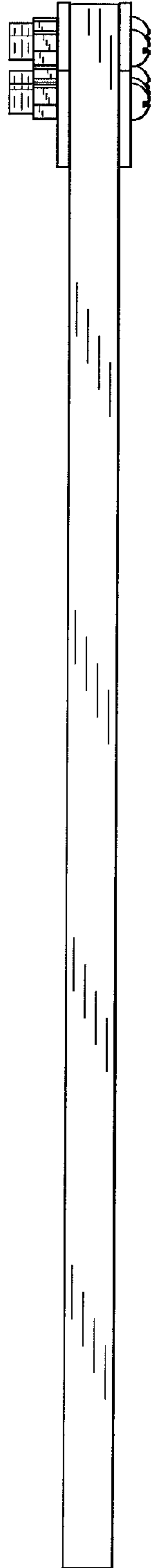


Fig. 6

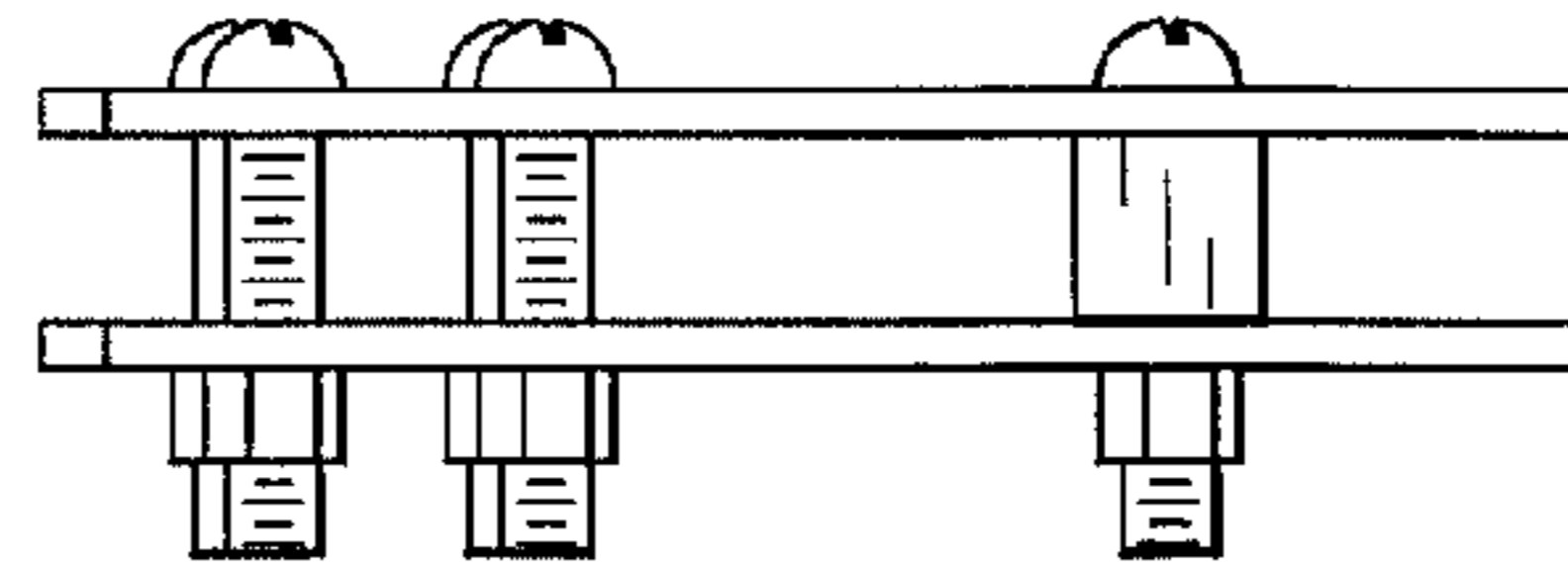


Fig. 7

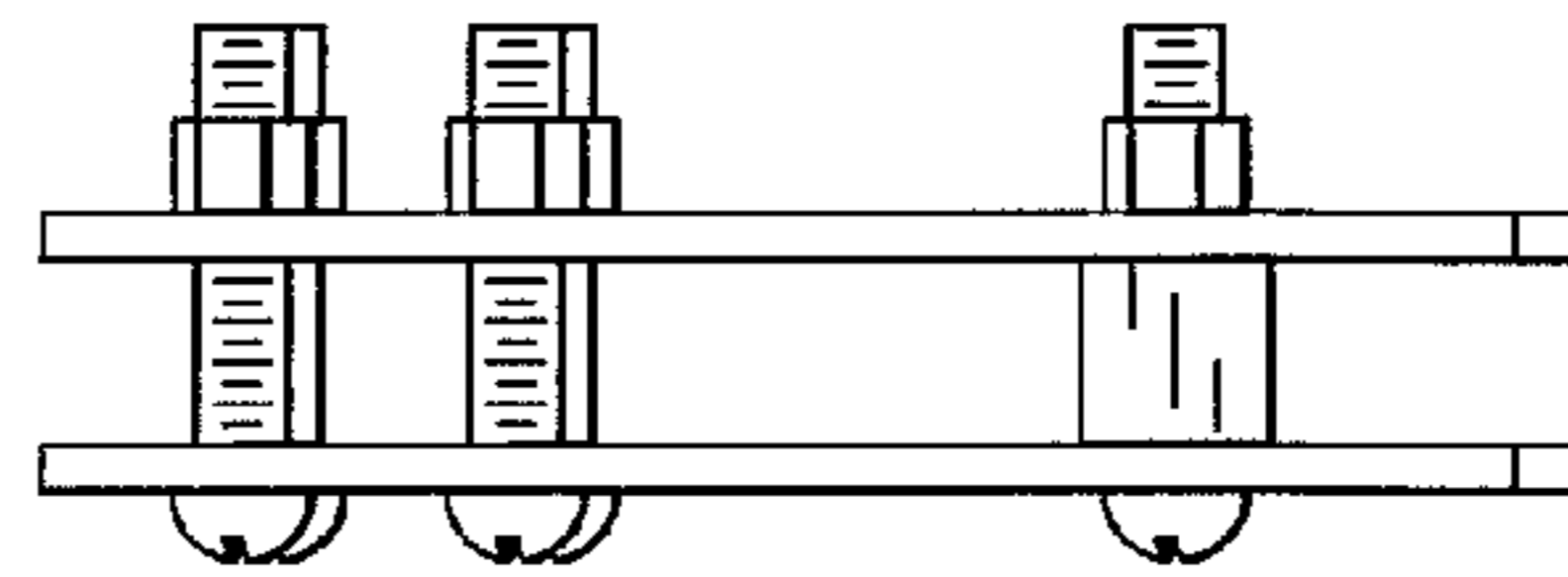


Fig. 8