



US00D709976S

(12) **United States Design Patent**  
**Clauder et al.**

(10) **Patent No.:** **US D709,976 S**

(45) **Date of Patent:** **\*\* Jul. 29, 2014**

- (54) **SUSPENDED BOXING BAG**
- (71) Applicant: **Combat Brands, LLC**, Lenexa, KS (US)
- (72) Inventors: **Darrin Ray Clauder**, Olathe, KS (US);  
**Nathaniel Shelby Abner**, Prairie Village, KS (US)
- (73) Assignee: **Combat Brands, LLC**, Lenexa, KS (US)
- (\*\*) Term: **14 Years**
- (21) Appl. No.: **29/450,303**
- (22) Filed: **Mar. 15, 2013**
- (51) **LOC (10) Cl.** ..... **21-02**
- (52) **U.S. Cl.**  
USPC ..... **D21/787**
- (58) **Field of Classification Search**  
USPC ..... D21/438, 439, 465, 576, 585, 594, 623,  
D21/662, 680–683, 698, 722, 725, 787, 788,  
D21/798; 482/83–90; 473/441–445  
See application file for complete search history.

|                   |         |         |       |         |
|-------------------|---------|---------|-------|---------|
| D409,670 S *      | 5/1999  | Kuo     | ..... | D21/662 |
| 6,106,443 A *     | 8/2000  | Kuo     | ..... | 482/83  |
| 6,390,958 B1 *    | 5/2002  | Chu     | ..... | 482/90  |
| 6,461,281 B2 *    | 10/2002 | Bouvier | ..... | 482/86  |
| RE39,372 E *      | 11/2006 | Kuo     | ..... | D21/787 |
| 7,278,957 B2 *    | 10/2007 | Ghim    | ..... | 482/83  |
| 7,914,423 B1 *    | 3/2011  | Cogan   | ..... | 482/90  |
| 7,938,759 B1 *    | 5/2011  | Gaynor  | ..... | 482/83  |
| 2003/0216228 A1 * | 11/2003 | Rast    | ..... | 482/84  |

**FOREIGN PATENT DOCUMENTS**

|    |                  |         |
|----|------------------|---------|
| DE | 10323348 B4 *    | 9/2007  |
| KR | 300456198.0001 * | 7/2007  |
| WO | WO 9428981 A1 *  | 12/1994 |

\* cited by examiner

*Primary Examiner* — Catherine Tuttle

(74) *Attorney, Agent, or Firm* — Bryan Edward Meyer

(57) **CLAIM**

The ornamental design for a suspended boxing bag, as shown and described.

**DESCRIPTION**

FIG. 1 is a perspective view of a suspended boxing bag showing our new design.

FIG. 2 is a front elevation view of FIG. 1.

FIG. 3 is a side elevation view of FIG. 1.

FIG. 4 is a top view of FIG. 1; and,

FIG. 5 is a bottom view of FIG. 1.

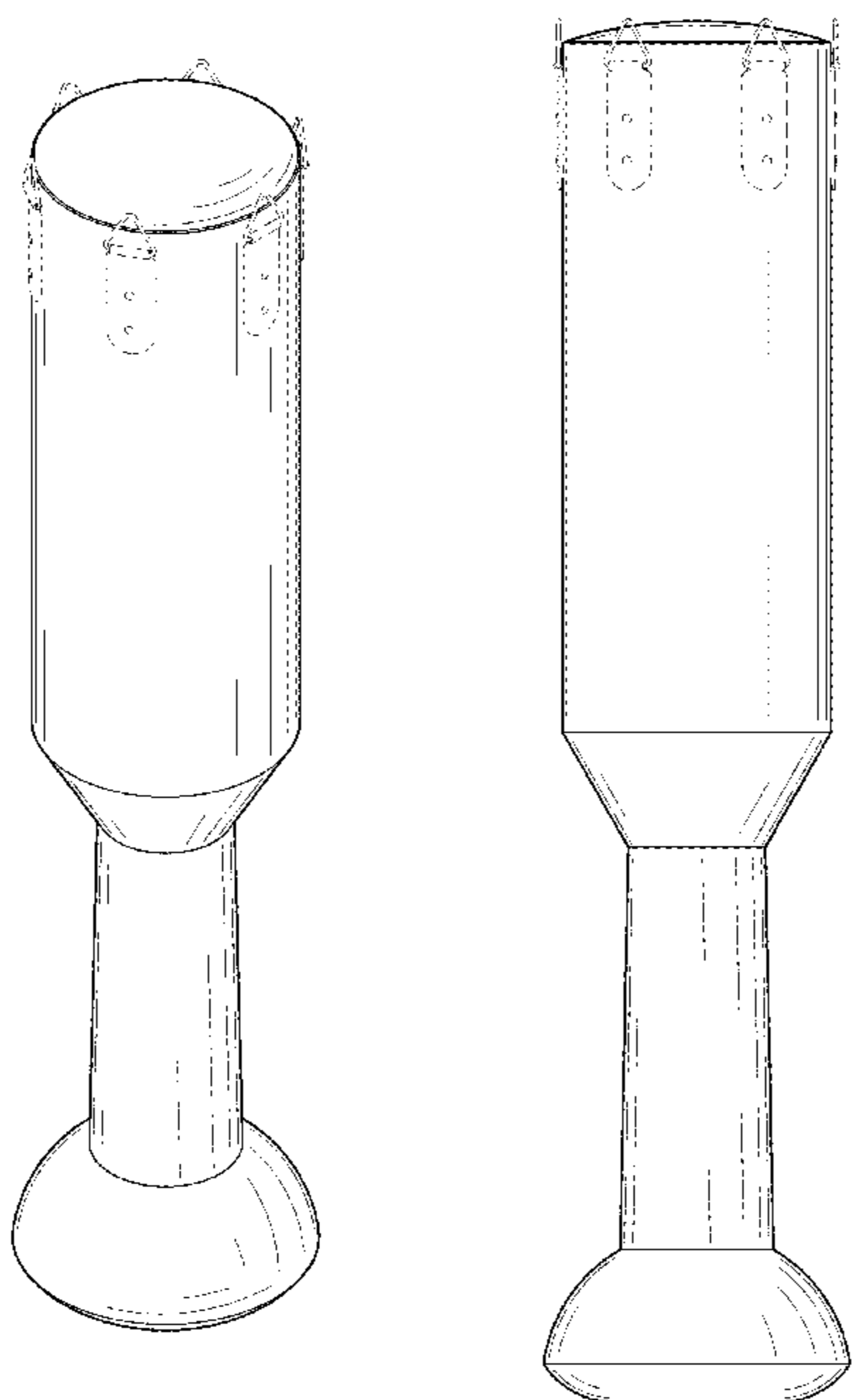
The means for suspending the suspended boxing bag is shown in broken lines for illustrative purposes only and forms no part of the claimed design.

**1 Claim, 3 Drawing Sheets**

(56) **References Cited**

**U.S. PATENT DOCUMENTS**

|               |         |               |       |         |
|---------------|---------|---------------|-------|---------|
| 1,269,559 A * | 6/1918  | Fauver et al. | ..... | 473/441 |
| 2,913,245 A * | 11/1959 | Landis        | ..... | 473/444 |
| 4,491,315 A * | 1/1985  | Dye           | ..... | 482/86  |
| 5,044,626 A * | 9/1991  | Parker, Jr.   | ..... | 482/44  |
| 5,702,327 A * | 12/1997 | Fullbright    | ..... | 482/83  |
| 5,769,761 A * | 6/1998  | Zagata, Jr.   | ..... | 482/87  |
| 5,788,613 A * | 8/1998  | Grimaldi      | ..... | 482/83  |
| D402,725 S *  | 12/1998 | Anterhaus     | ..... | D21/787 |



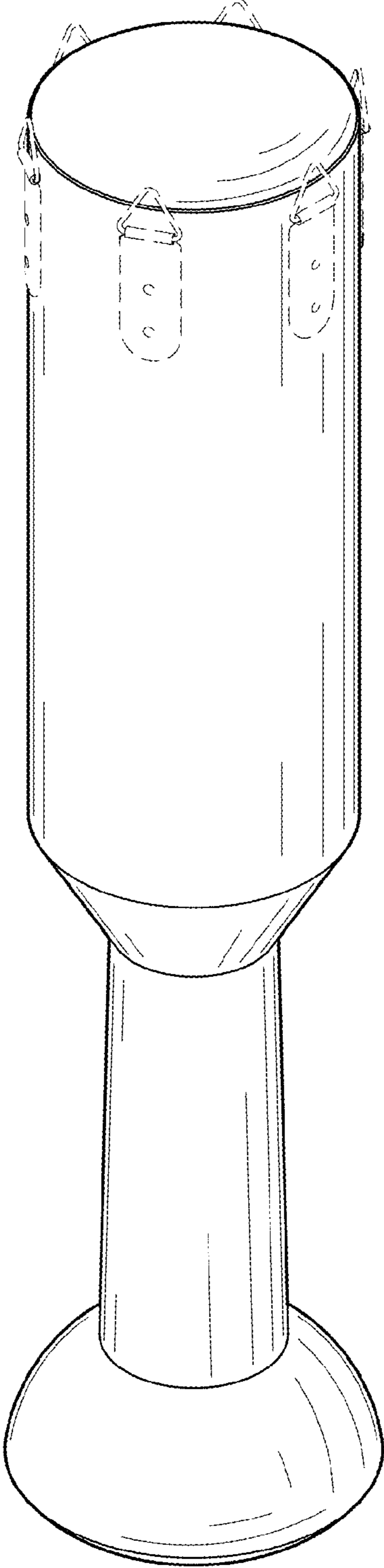


FIG.1

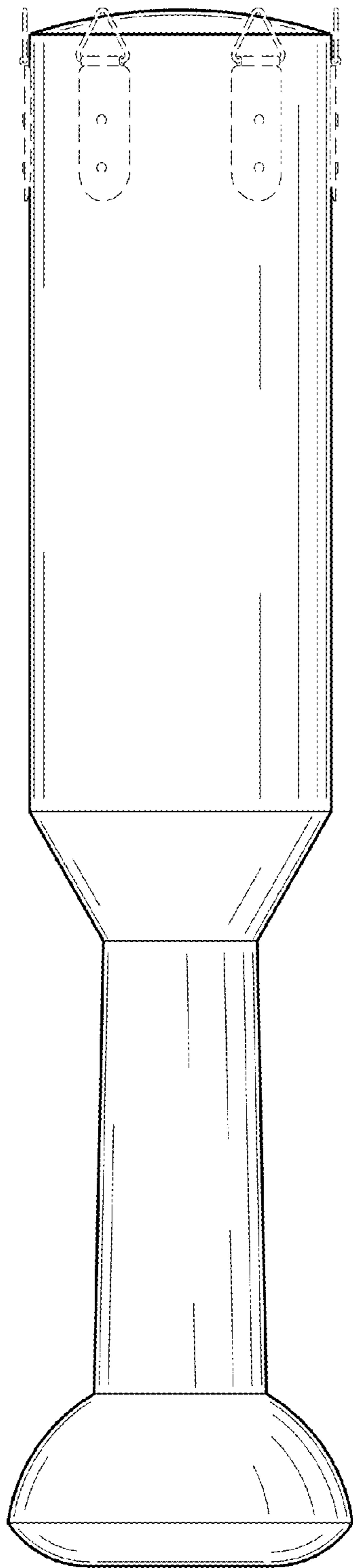


FIG. 2

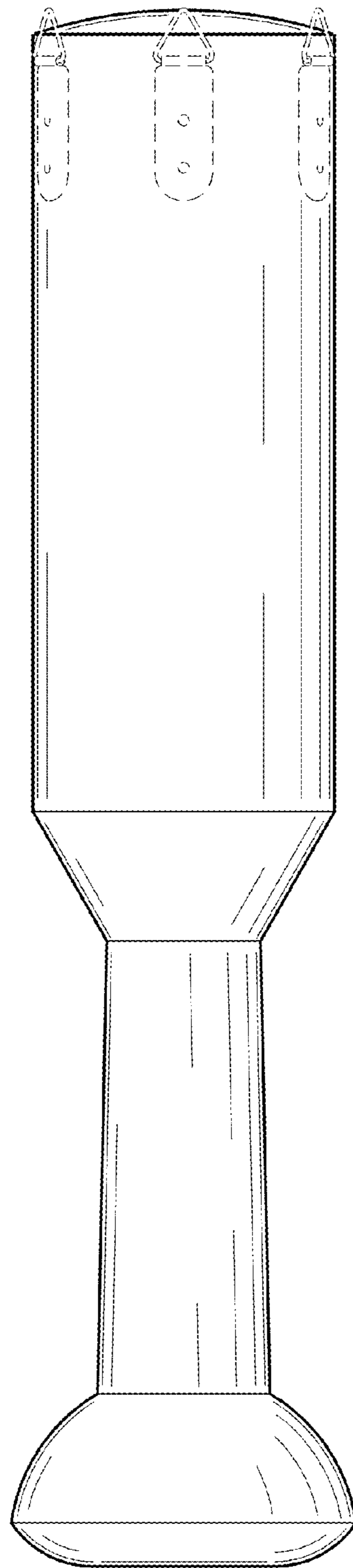


FIG. 3

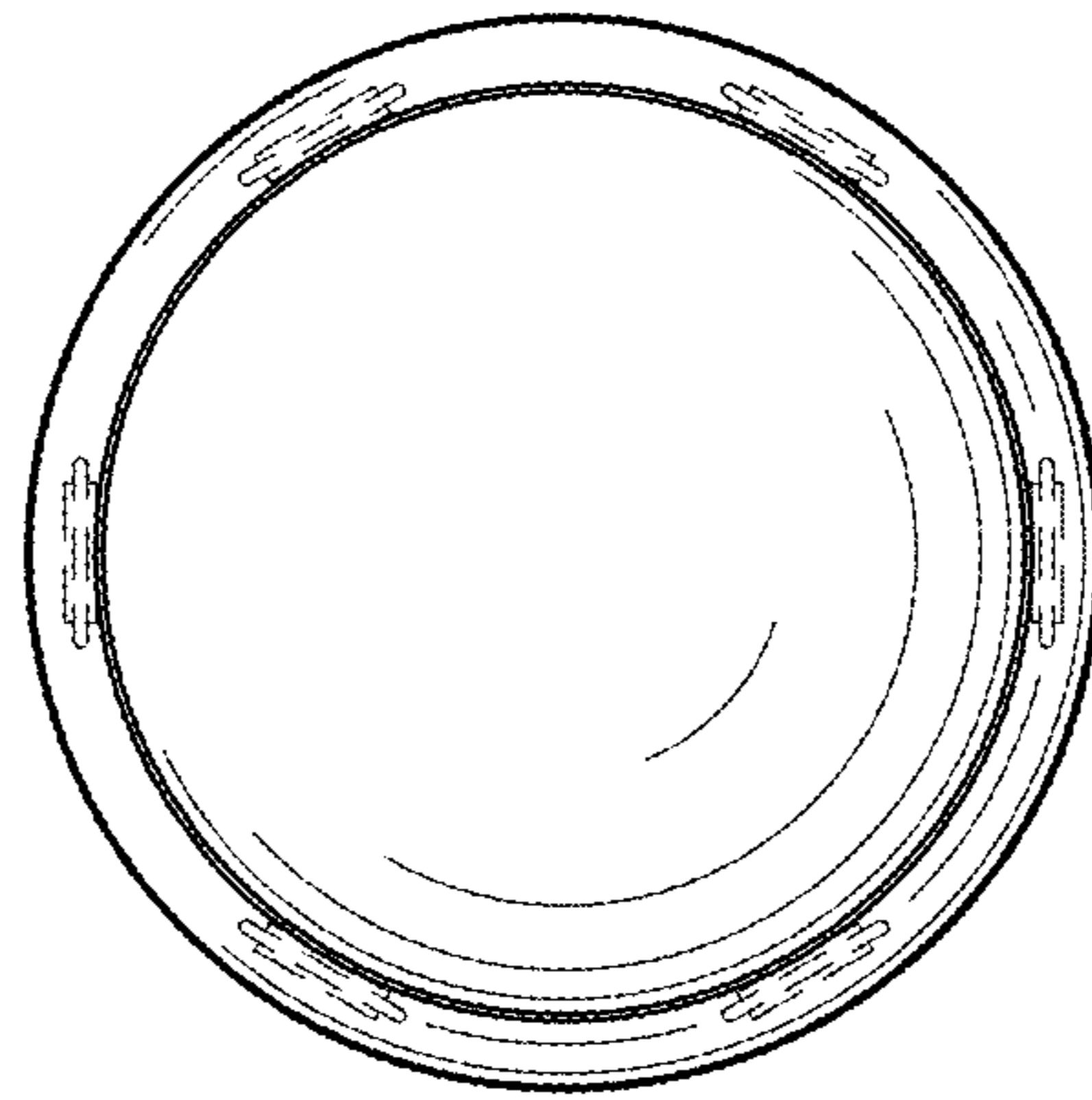


FIG. 4

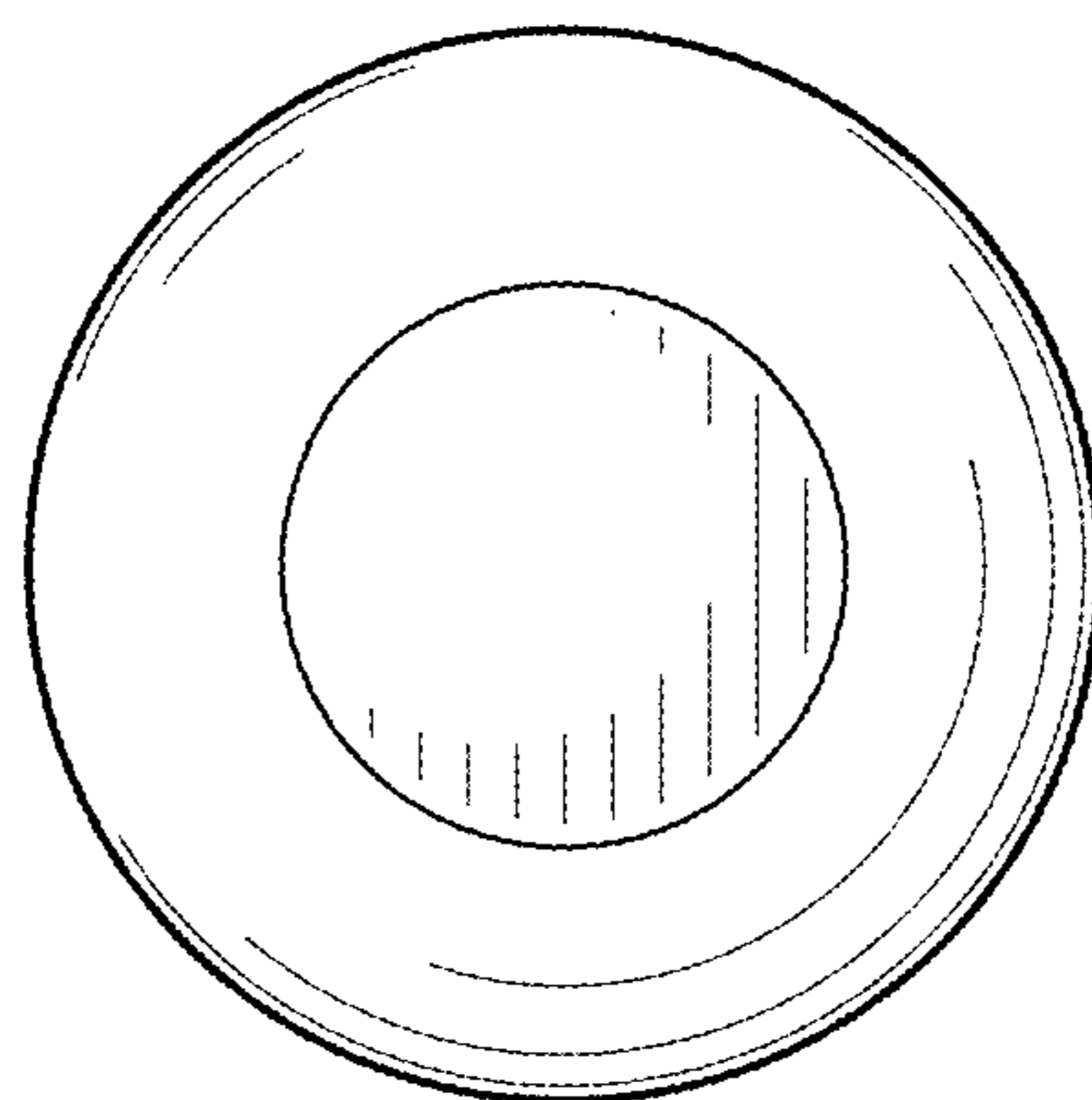


FIG. 5