



US00D709974S

(12) **United States Design Patent**
Oldknow

(10) **Patent No.:** **US D709,974 S**

(45) **Date of Patent:** **** *Jul. 29, 2014**

- (54) **GOLF CLUB HEAD**
- (71) Applicant: **NIKE, Inc.**, Beaverton, OR (US)
- (72) Inventor: **Andrew G. V. Oldknow**, Beaverton, OR (US)
- (73) Assignee: **NIKE, Inc.**, Beaverton, OR (US)
- (*) Notice: This patent is subject to a terminal disclaimer.
- (**) Term: **14 Years**
- (21) Appl. No.: **29/477,438**
- (22) Filed: **Dec. 20, 2013**
- (51) **LOC (10) Cl.** **21-02**
- (52) **U.S. Cl.**
USPC **D21/759**
- (58) **Field of Classification Search**
CPC A63B 53/00; A63B 53/04; A63B 53/047; A63B 53/0475
USPC D21/747-751, 759; 473/324-331, 350
See application file for complete search history.

- 5,544,885 A 8/1996 Besnard et al.
- D379,207 S 5/1997 Besnard et al.
- 5,643,112 A 7/1997 Besnard et al.
- D422,658 S 4/2000 Besnard et al.
- 6,358,158 B2 3/2002 Peters et al.
- 6,554,719 B2 4/2003 Peters et al.
- 6,554,722 B2 4/2003 Erickson et al.
- D475,107 S * 5/2003 Madore D21/759
- D487,127 S * 2/2004 Madore D21/759

(Continued)

OTHER PUBLICATIONS

Nike Golf Catalog, Edwin Watts Golf Official 2011 Buyers Guide, p. 29, published 2011.

(Continued)

Primary Examiner — Mitchell Siegel

(74) *Attorney, Agent, or Firm* — Banner & Witcoff, Ltd.

(57) **CLAIM**

The ornamental design for a golf club head, as shown and described.

DESCRIPTION

FIG. 1 is a toe end perspective rear view of a first embodiment of a golf club head showing my new design;
 FIG. 2 is a rear view thereof;
 FIG. 3 is a heel end view thereof;
 FIG. 4 is a toe end view thereof;
 FIG. 5 is a bottom view thereof;
 FIG. 6 is a top view thereof; and,
 FIG. 7 is a front view thereof.

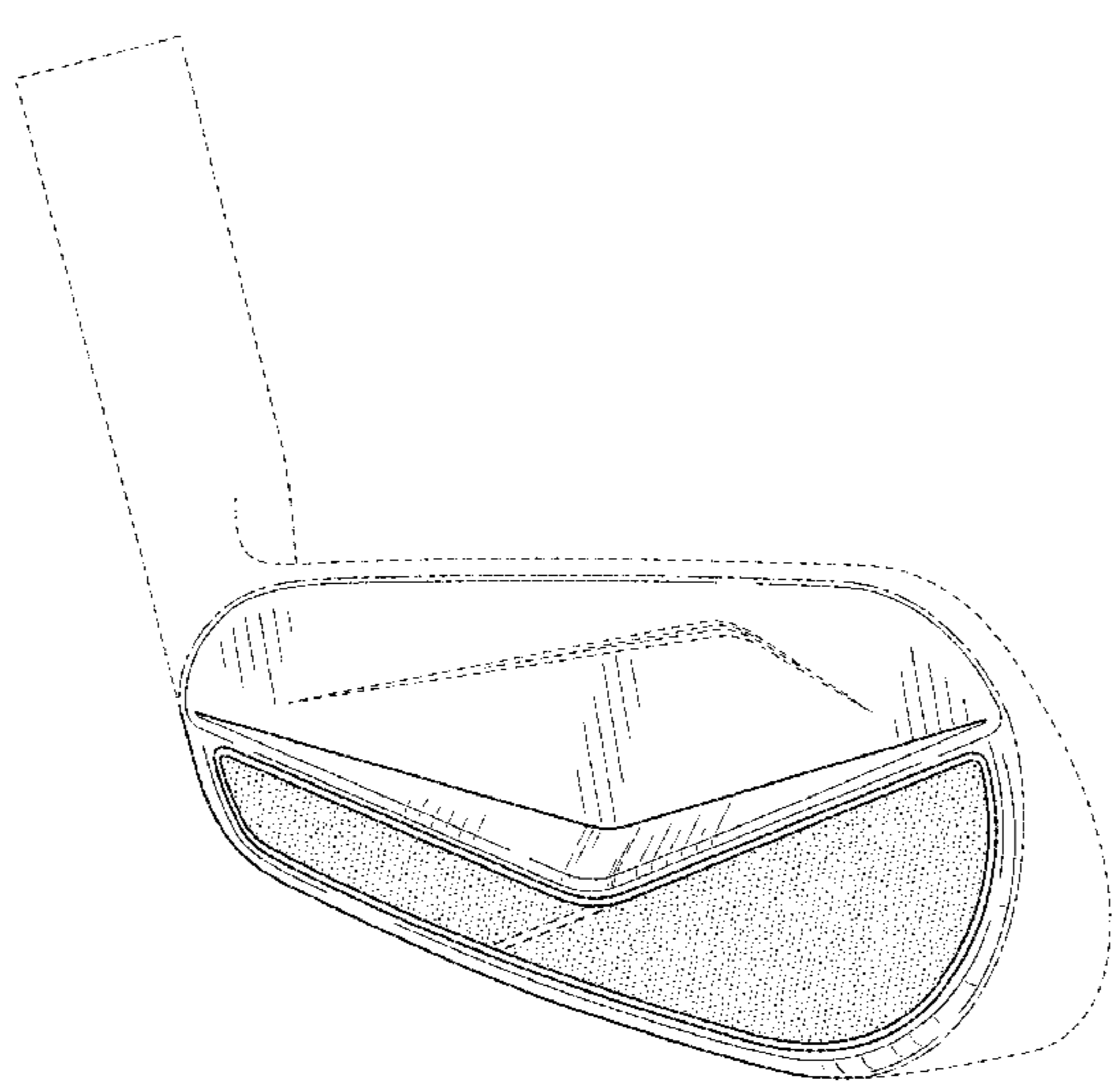
The broken lines immediately adjacent to the shaded area represent unclaimed boundaries of the design. The broken lines within the shaded area and the broken lines showing the remainder of the golf club are for environmental purposes only and form no part of the claimed design. The contrast shading represents a contrast in appearance.

1 Claim, 3 Drawing Sheets

(56) **References Cited**

U.S. PATENT DOCUMENTS

- D179,092 S * 10/1956 Pavlis D21/747
- D179,817 S * 3/1957 Penna D21/751
- D179,818 S * 3/1957 Penna D21/751
- 3,655,188 A 4/1972 Solheim
- 4,635,941 A 1/1987 Yoneyama
- 4,900,028 A 2/1990 Antonious
- 4,907,806 A 3/1990 Antonious
- D320,056 S 9/1991 Antonious
- D322,113 S 12/1991 Antonious
- D322,114 S 12/1991 Antonious
- D337,143 S * 7/1993 Lo D21/750
- D345,775 S * 4/1994 Poincenot et al. D21/750
- D370,514 S 6/1996 Blough et al.



(56)

References Cited

U.S. PATENT DOCUMENTS

D492,377 S 6/2004 Roach et al.
 6,832,962 B2 12/2004 Stites et al.
 6,918,840 B2 7/2005 Stites et al.
 6,935,967 B2 8/2005 Mahaffey et al.
 D526,038 S * 8/2006 Kelley D21/759
 7,153,222 B2 12/2006 Gilbert et al.
 D550,796 S * 9/2007 Nagai et al. D21/759
 D572,327 S 7/2008 Diaz et al.
 D572,328 S 7/2008 Diaz et al.
 D596,251 S 7/2009 Guerrette et al.
 D597,157 S 7/2009 Wallin et al.
 D597,616 S 8/2009 Ines et al.
 D598,061 S 8/2009 Barez et al.
 D614,710 S 4/2010 Kim et al.
 7,744,487 B2 6/2010 Tavares et al.
 D631,110 S 1/2011 Kim et al.
 D643,895 S 8/2011 Wieland
 D647,986 S 11/2011 Atwell et al.

D652,093 S 1/2012 Foster
 D669,947 S 10/2012 Kim et al.
 D674,852 S 1/2013 Hettinger et al.
 D682,959 S 5/2013 Saraie et al.
 D682,962 S 5/2013 Llewellyn et al.
 8,506,423 B2 8/2013 Oldknow et al.
 D696,366 S * 12/2013 Milo et al. D21/747
 D696,367 S * 12/2013 Taylor et al. D21/747
 D704,290 S * 5/2014 Cardani et al. D21/759
 2005/0037860 A1 2/2005 Gilbert et al.

OTHER PUBLICATIONS

Nike Golf Catalog, Edwin Watts Golf Holiday 2010, p. 2, published 2010.
 Nike Golf Catalog, Edwin Watts Golf Late Spring 2004, p. 35, published 2004.
 Nike Golf Catalog, Edwin Watts Golf Spring 2004, p. 39, published 2004.

* cited by examiner

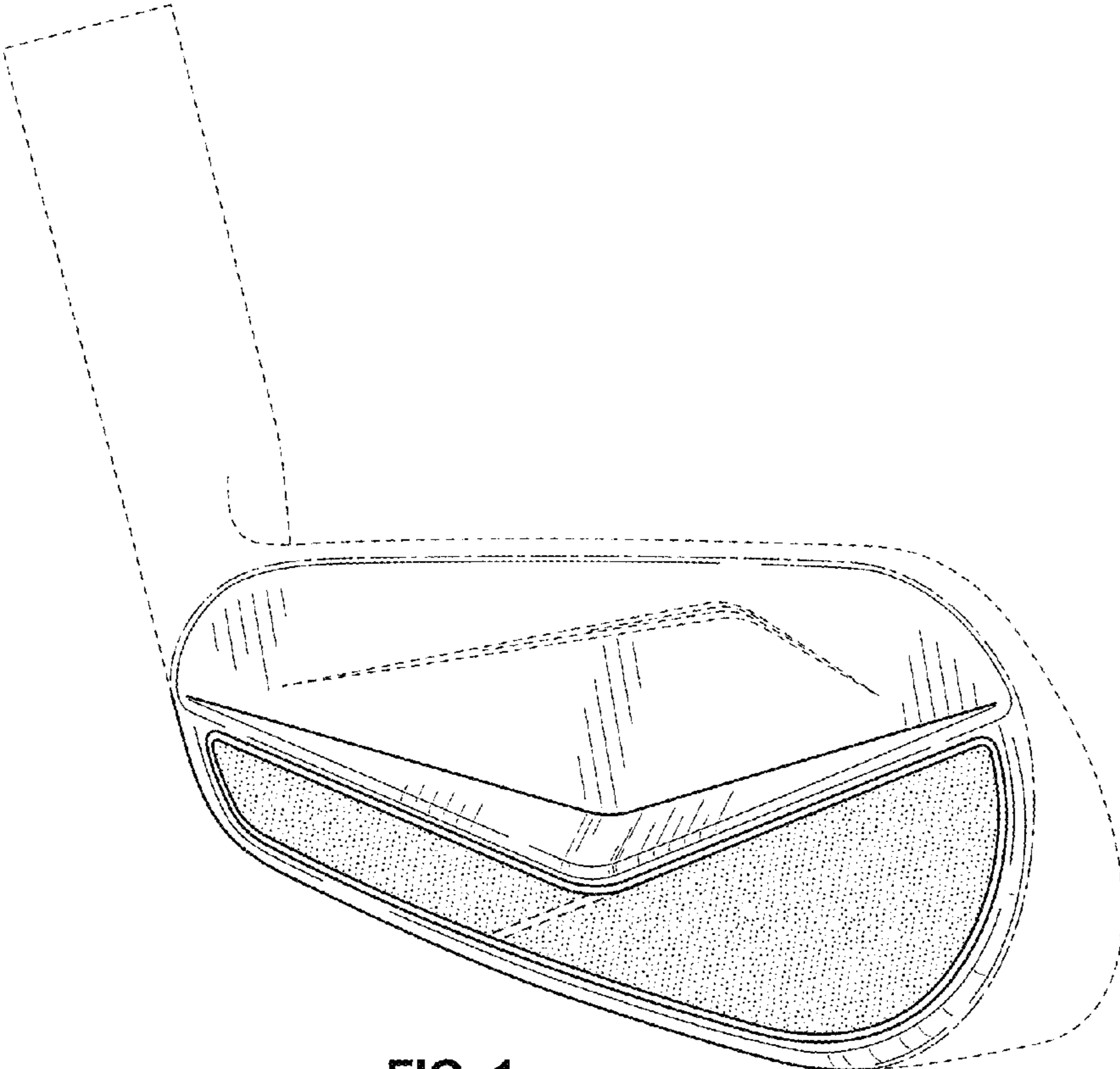


FIG. 1

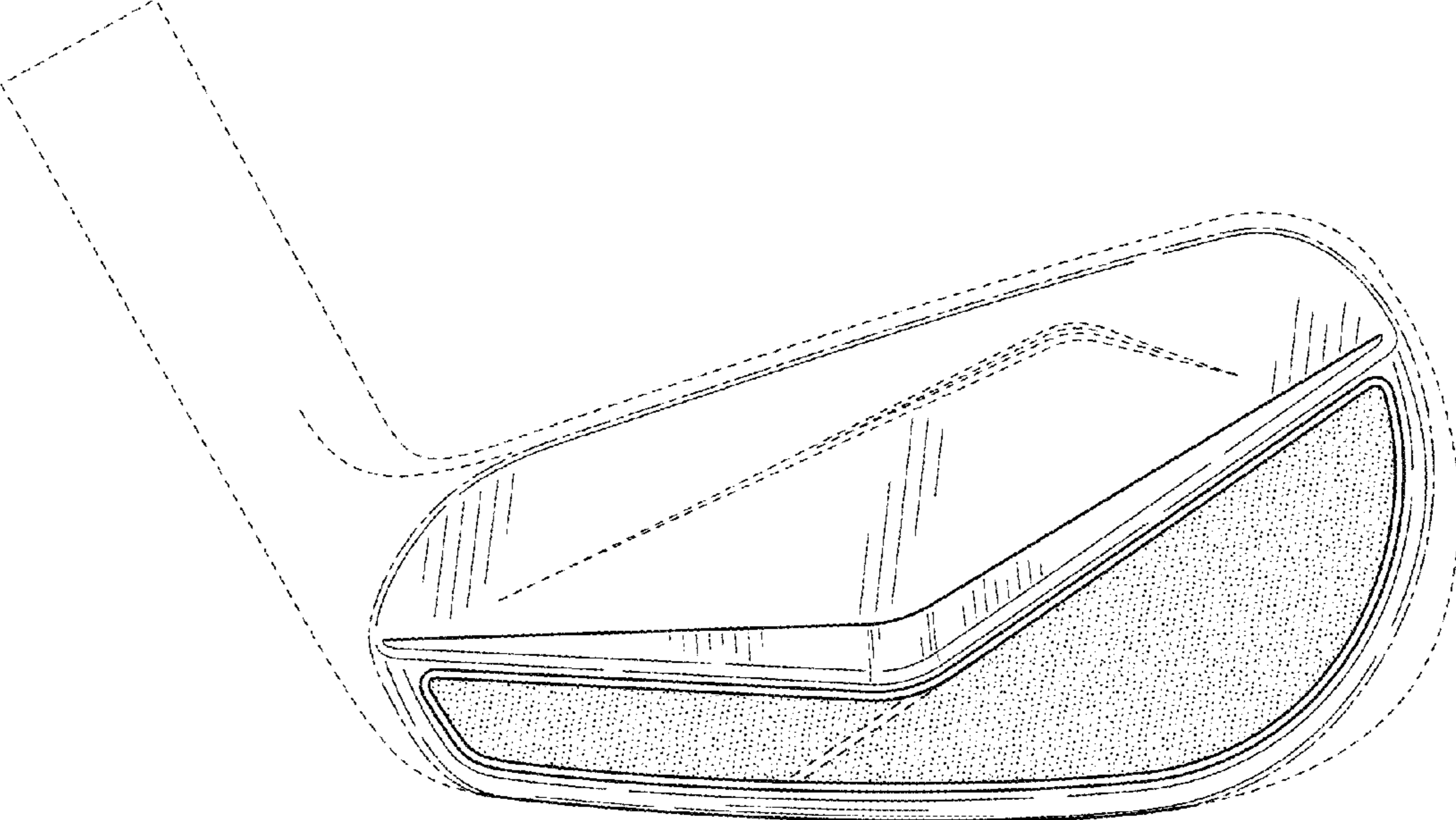


FIG. 2

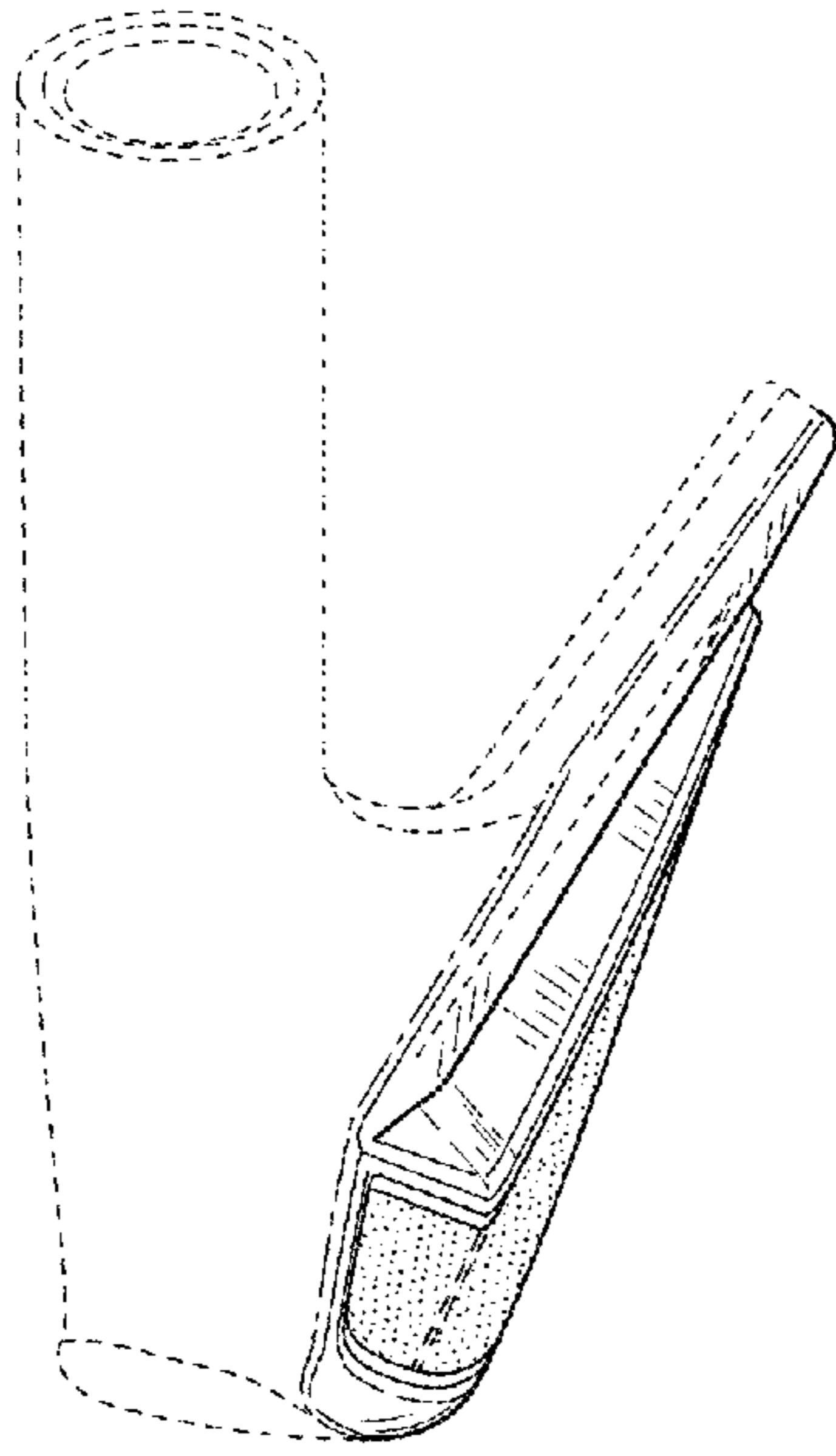


FIG. 3

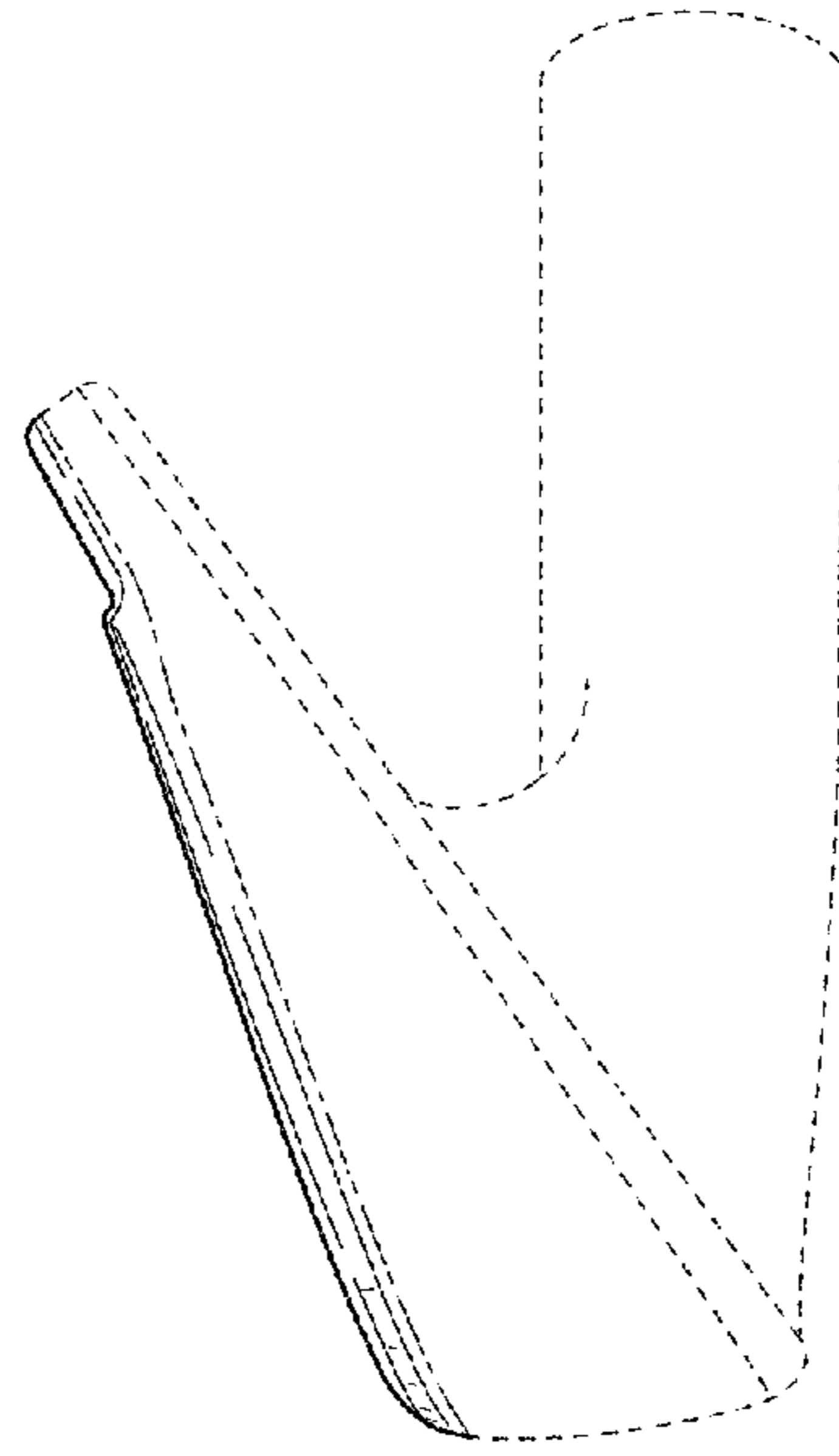


FIG. 4

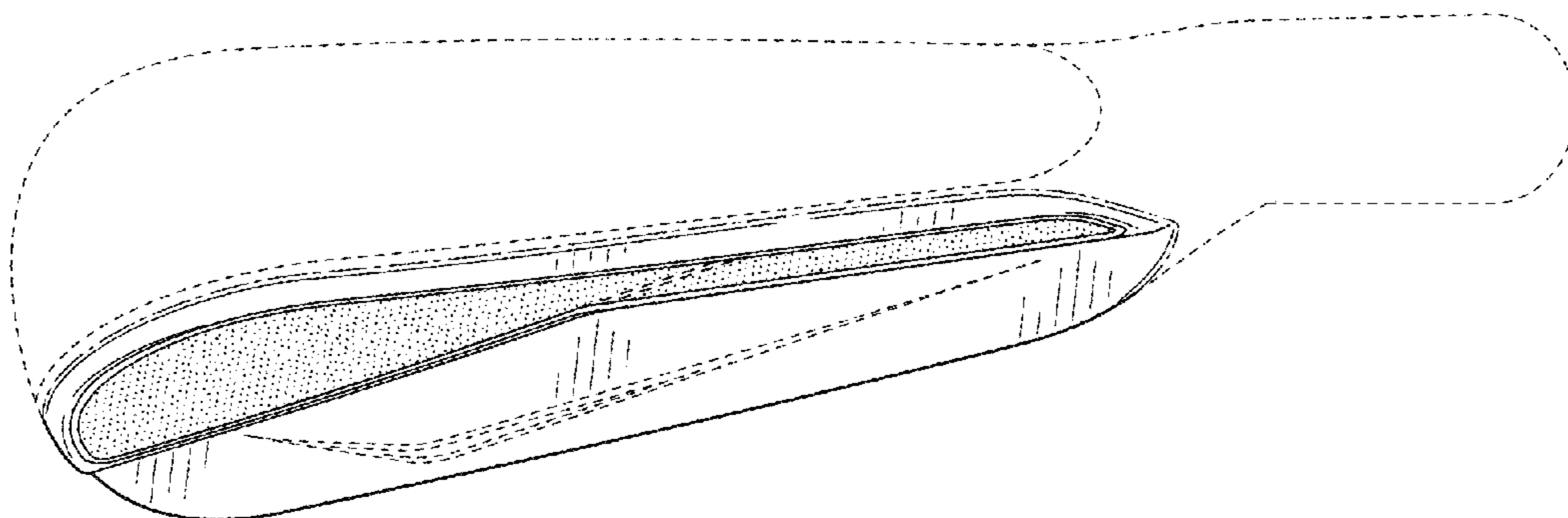


FIG. 5

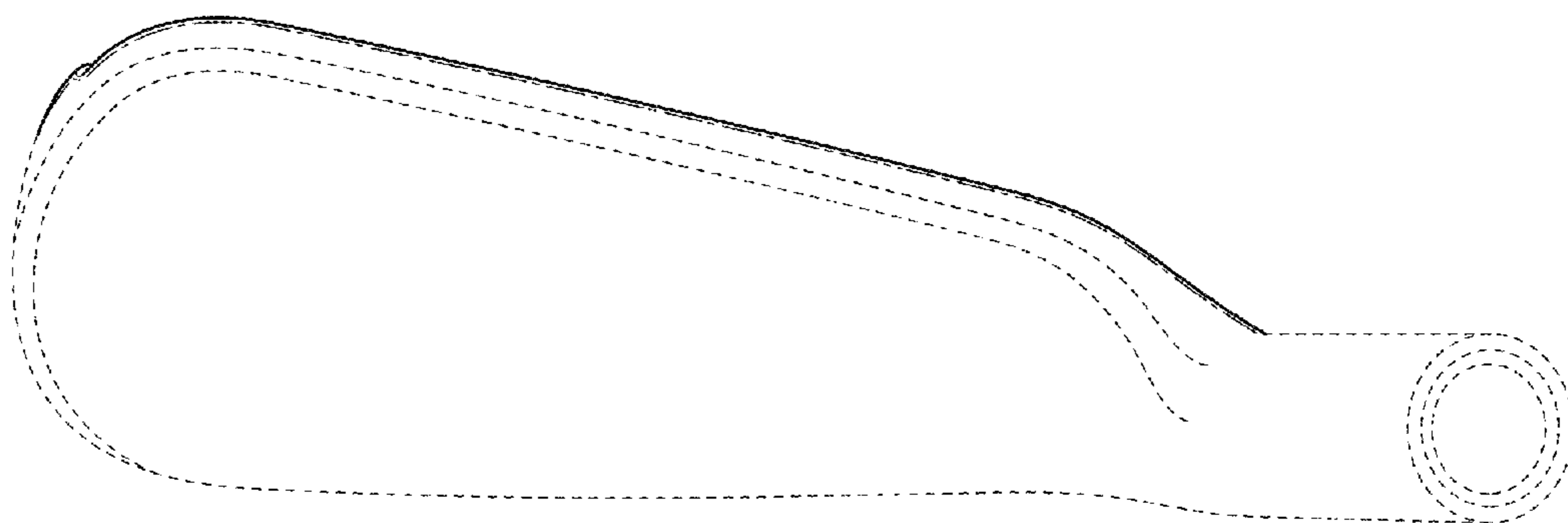


FIG. 6

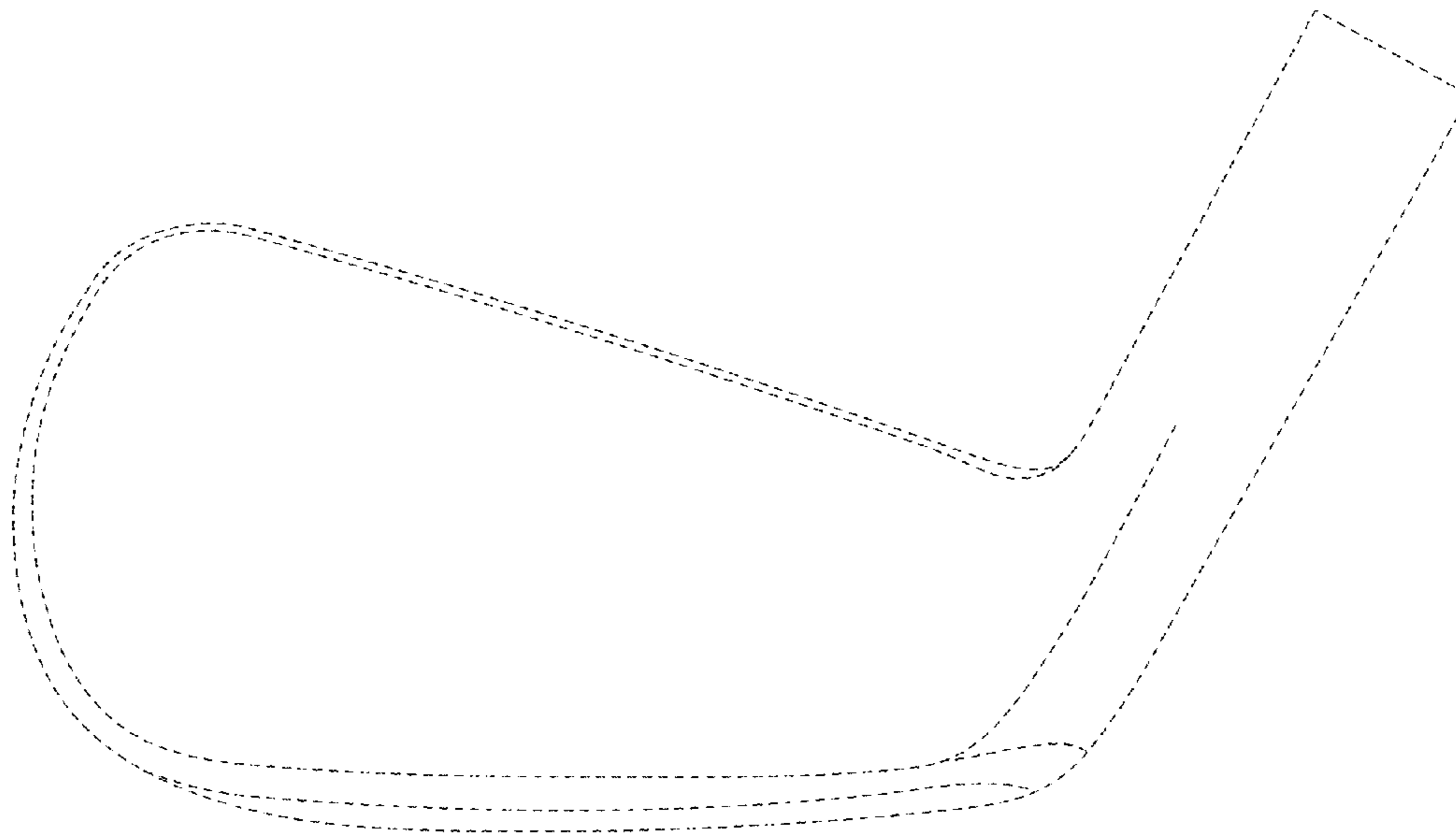


FIG. 7