



US00D709969S

(12) **United States Design Patent**  
**Ho et al.**

(10) **Patent No.:** **US D709,969 S**  
(45) **Date of Patent:** **\*\* Jul. 29, 2014**

(54) **MULTI DIMENSIONAL ABDOMEN EXERCISER**

(76) Inventors: **Wei-Teh Ho**, Taipei (TW); **Willy Ho**, Taipei (TW)

(\*\*) Term: **14 Years**

(21) Appl. No.: **29/431,392**

(22) Filed: **Sep. 6, 2012**

(51) **LOC (10) Cl.** ..... **21-02**

(52) **U.S. Cl.**  
USPC ..... **D21/668**

(58) **Field of Classification Search**  
USPC ..... D21/662, 674, 676, 686, 687, 688, 689,  
D21/694; 482/51, 70-72, 96, 112, 121,  
482/130-132, 135, 140, 142, 147  
See application file for complete search history.

(56) **References Cited**

**U.S. PATENT DOCUMENTS**

4,846,465	A *	7/1989	Iams et al.	482/132
D425,585	S *	5/2000	Wu	D21/676
6,440,045	B1 *	8/2002	Gaston	482/140
7,232,404	B2 *	6/2007	Nelson	482/140
D567,312	S *	4/2008	Tsai	D21/688
7,662,076	B1 *	2/2010	Ho	482/130
D626,608	S *	11/2010	Tsai	D21/689

D631,519	S *	1/2011	Chen	D21/689
7,878,957	B1 *	2/2011	Chen	482/140
8,052,583	B1 *	11/2011	Tsai	482/96
8,105,221	B2 *	1/2012	Splane	482/147
D659,777	S *	5/2012	Watterson et al.	D21/689
2008/0207415	A1 *	8/2008	Tsai	482/147

\* cited by examiner

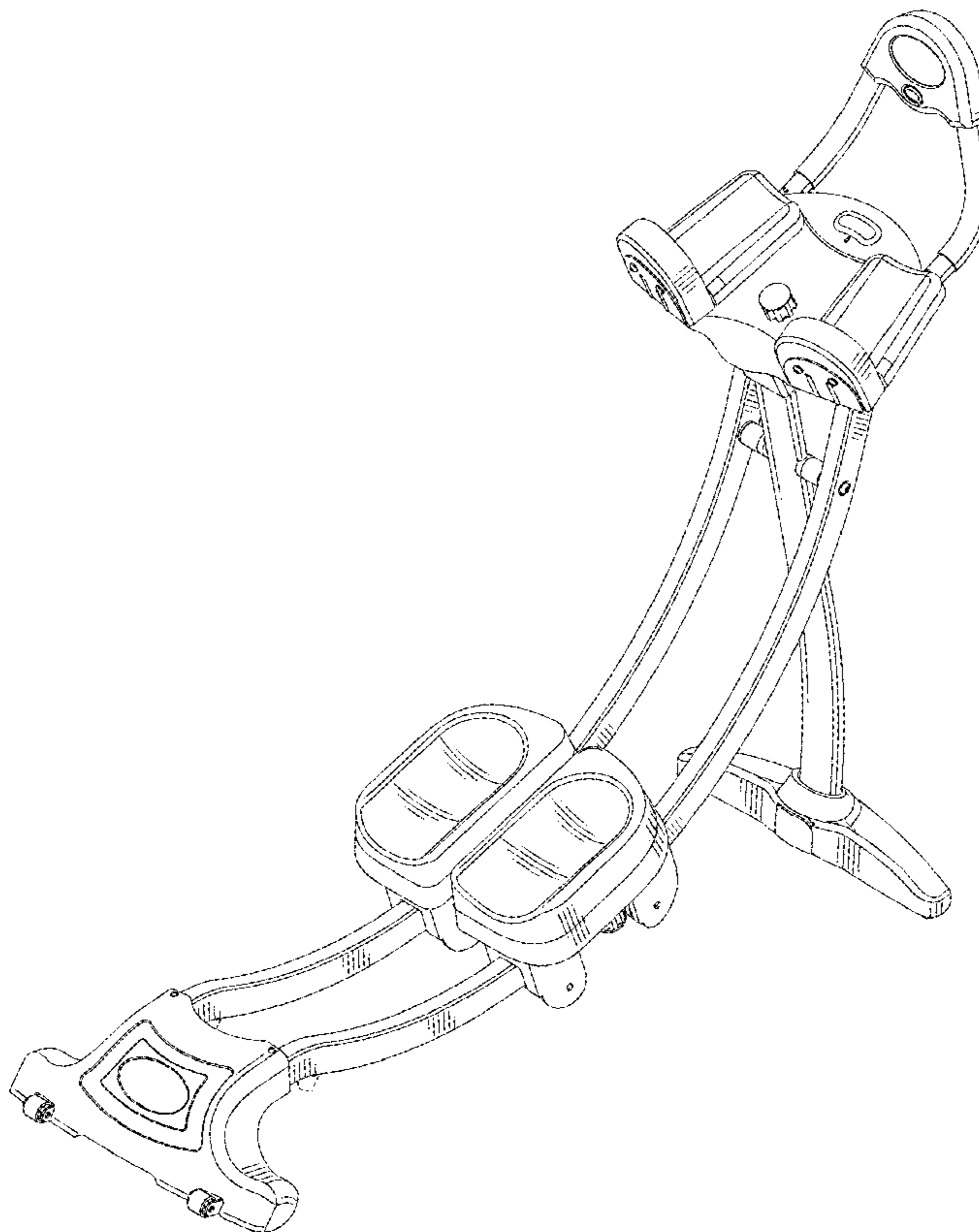
*Primary Examiner* — Phillip S Hyder  
(74) *Attorney, Agent, or Firm* — Blakely Sokoloff Taylor & Zafman LLP

(57) **CLAIM**  
The ornamental design for a multi dimensional abdomen exerciser, as shown and described.

**DESCRIPTION**

FIG. 1 is a perspective view showing the new design for a multi dimensional abdomen exerciser; FIG. 2 is an enlarged front view thereof; FIG. 3 is an enlarged rear view thereof; FIG. 4 is a reduced scale right side view thereof; FIG. 5 is a reduced scale left side view thereof; FIG. 6 is an enlarged top view thereof; and, FIG. 7 is an enlarged bottom view thereof. Broken lines illustrate portions of the multi dimensional abdomen exerciser outside the scope of the claimed design.

**1 Claim, 7 Drawing Sheets**



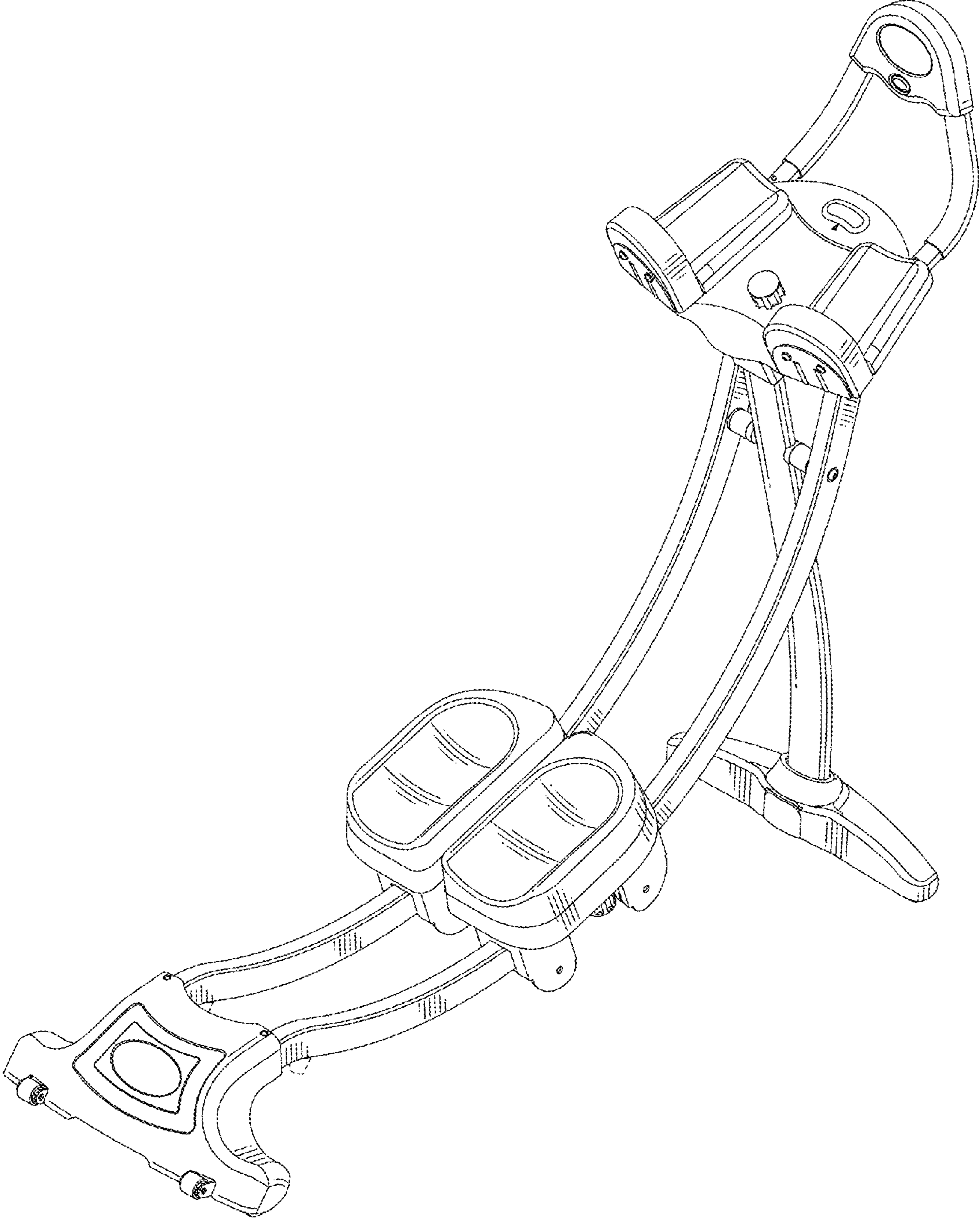


FIG. 1

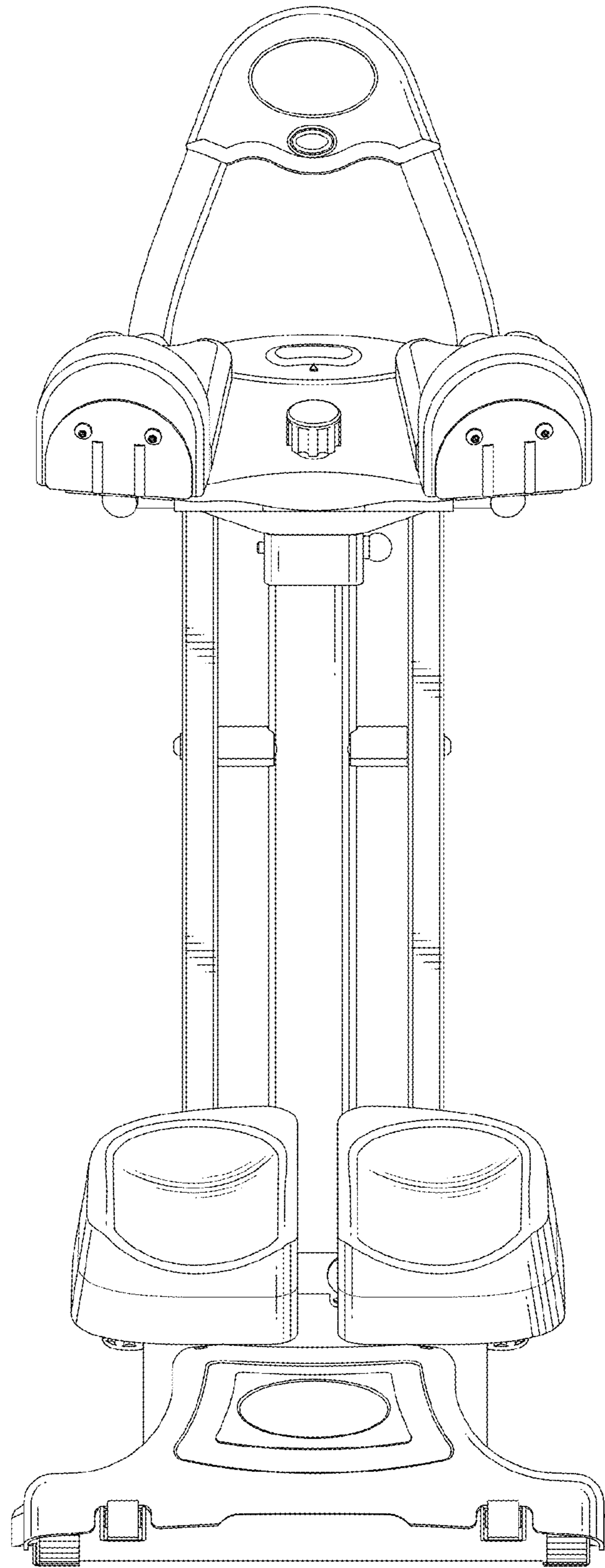


FIG.2

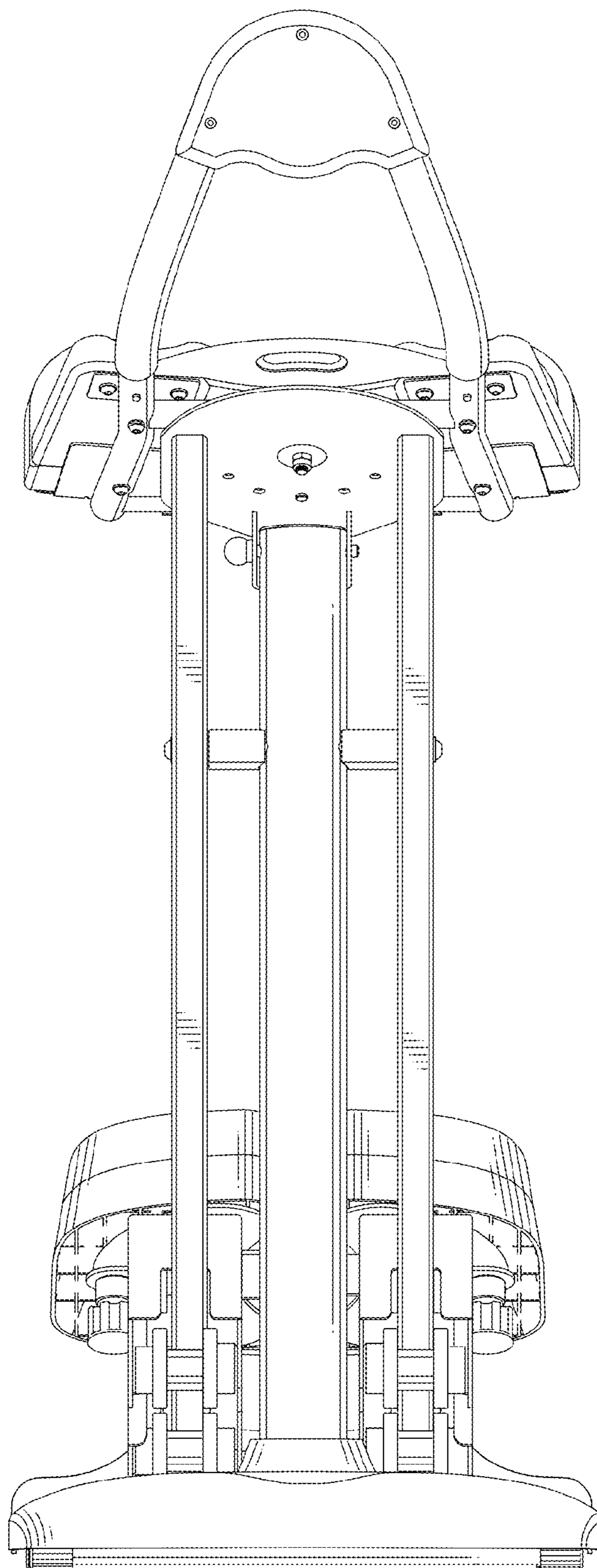


FIG.3

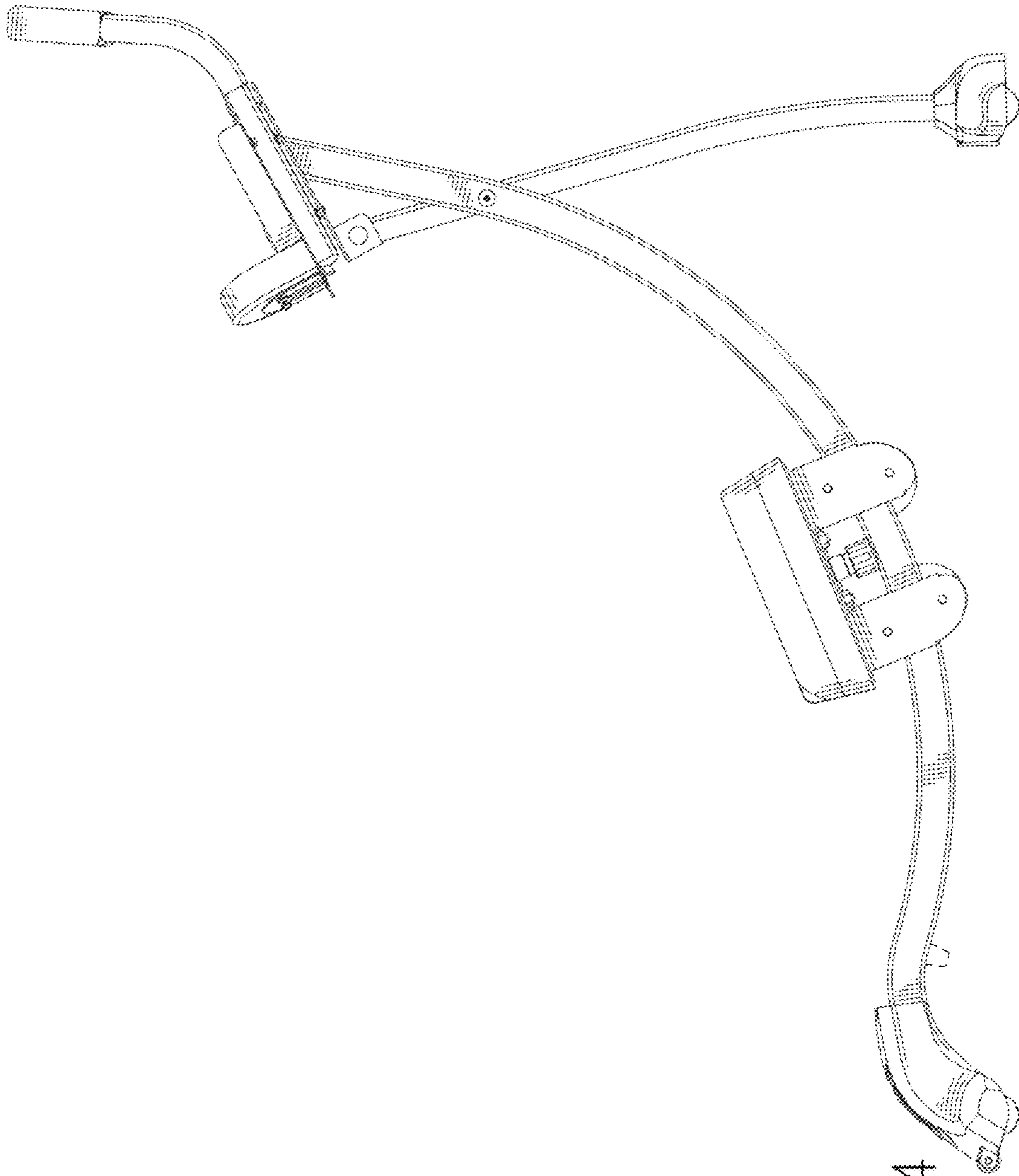


FIG.4

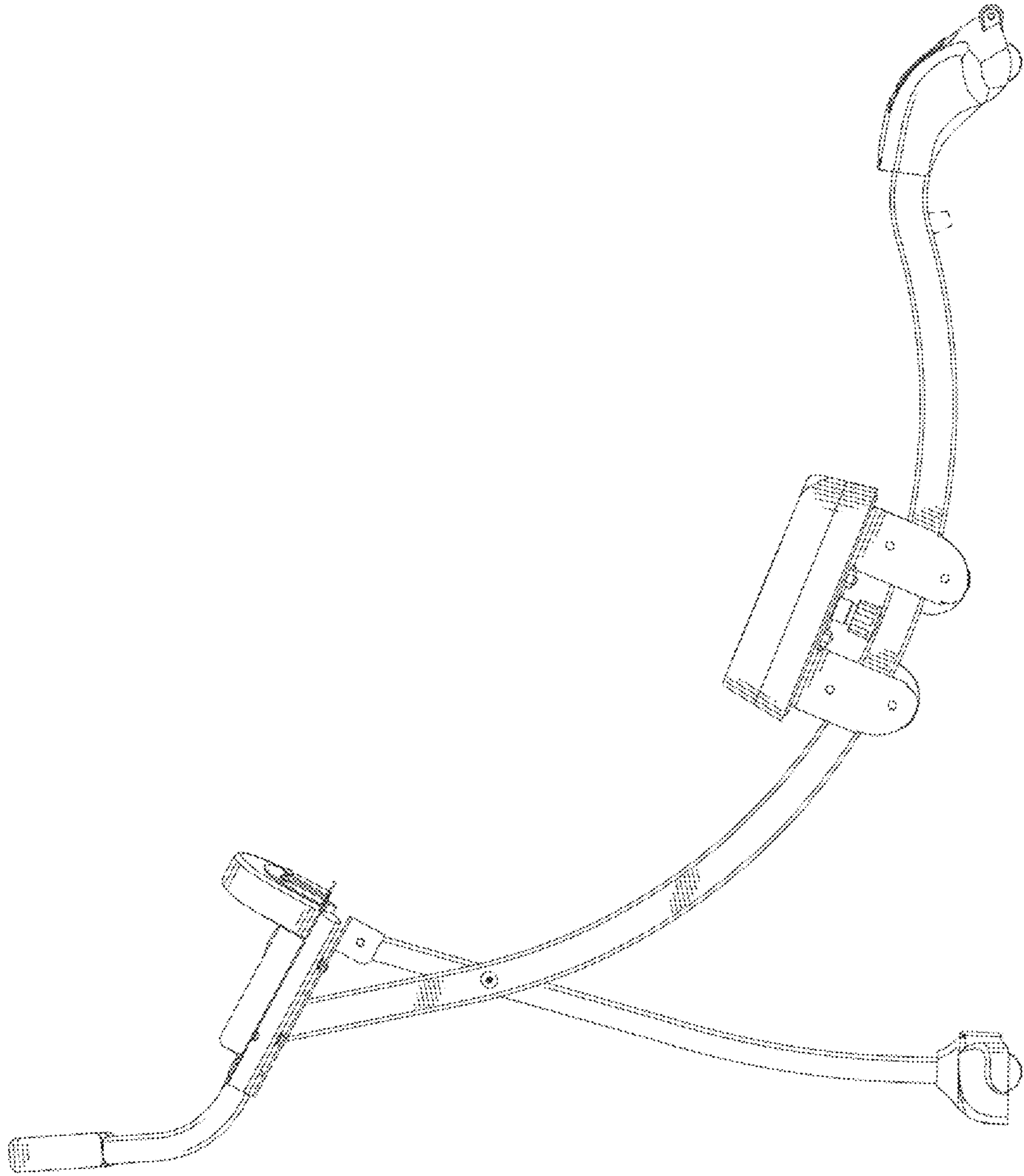


FIG. 5

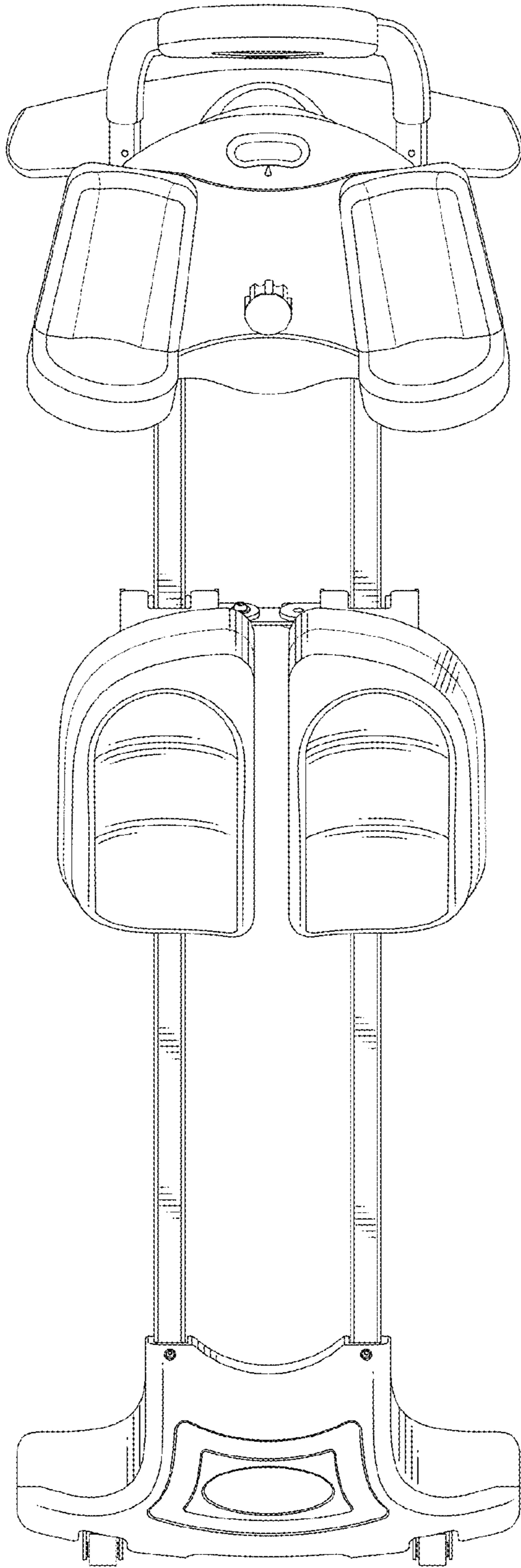


FIG.6

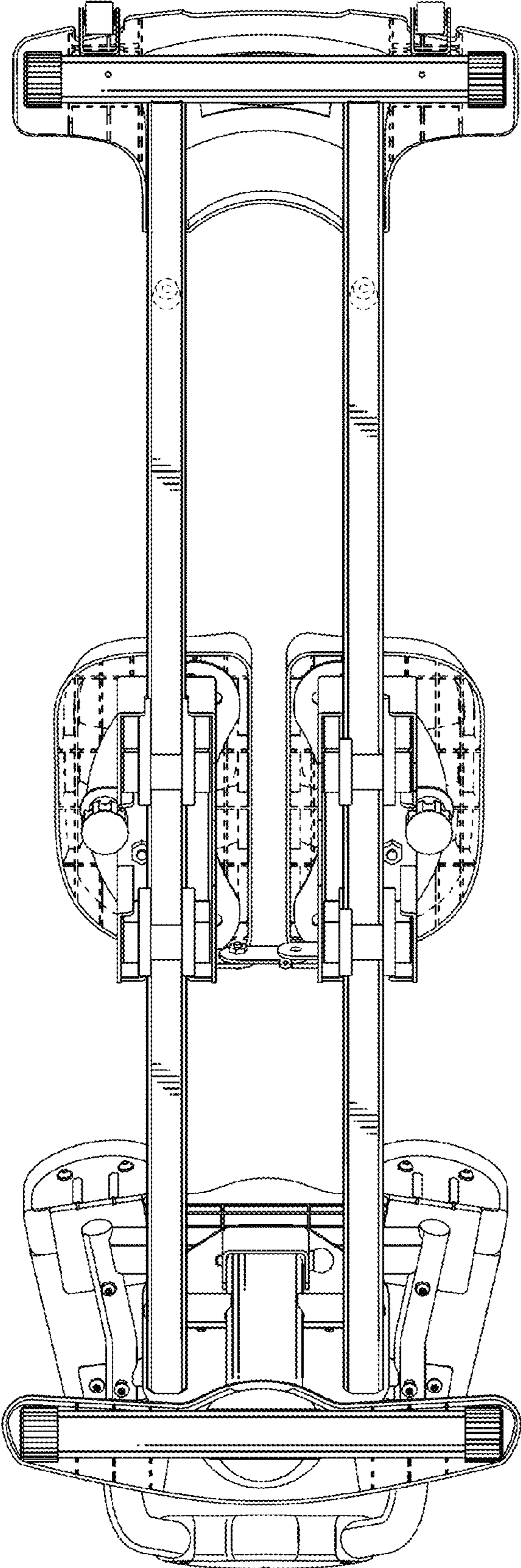


FIG.7