



US00D709968S

(12) **United States Design Patent**
Weiss et al.

(10) **Patent No.:** **US D709,968 S**
(45) **Date of Patent:** **** Jul. 29, 2014**

(54) **WORKOUT EQUIPMENT GRIP**

7,937,868 B2 * 5/2011 Gallet 40/612
D654,127 S * 2/2012 Blackstock D21/694
D681,738 S * 5/2013 Richmond D20/42

(71) Applicant: **Gripees Fitness, LLC**, Brooklyn, NY
(US)

* cited by examiner

(72) Inventors: **Moshe Weiss**, Brooklyn, NY (US); **Josef Tal Lebel**, Brooklyn, NY (US)

Primary Examiner — Phillip S Hyder

(**) Term: **14 Years**

(57) **CLAIM**

The ornamental design for a workout equipment grip, as shown and described.

(21) Appl. No.: **29/440,698**

DESCRIPTION

(22) Filed: **Dec. 26, 2012**

(51) **LOC (10) Cl.** **21-02**

(52) **U.S. Cl.**
USPC **D21/662**; D21/684

(58) **Field of Classification Search**
CPC A41D 19/015
USPC D21/662, 684, 691; 2/16-20, 161.1,
2/161.3, 168; D29/119, 113
See application file for complete search history.

FIG. 1 is a perspective view of a workout equipment grip;
FIG. 2 is a front elevational view thereof;
FIG. 3 is a rear elevational view thereof;
FIG. 4 is a right-side elevational view thereof;
FIG. 5 is a left-side elevational view thereof;
FIG. 6 is a bottom plan view thereof; and,
FIG. 7 is a top plan view thereof.
FIG. 8 is a perspective view of the present invention in the curled position as it would be when wrapped around the bar of a weight lifting implement; and,
FIG. 9 is a top plan view thereof.
FIG. 10 is a perspective view of the present invention wrapped around the bar of a dumbbell weightlifting implement; and,
FIG. 11 is a top plan view thereof.

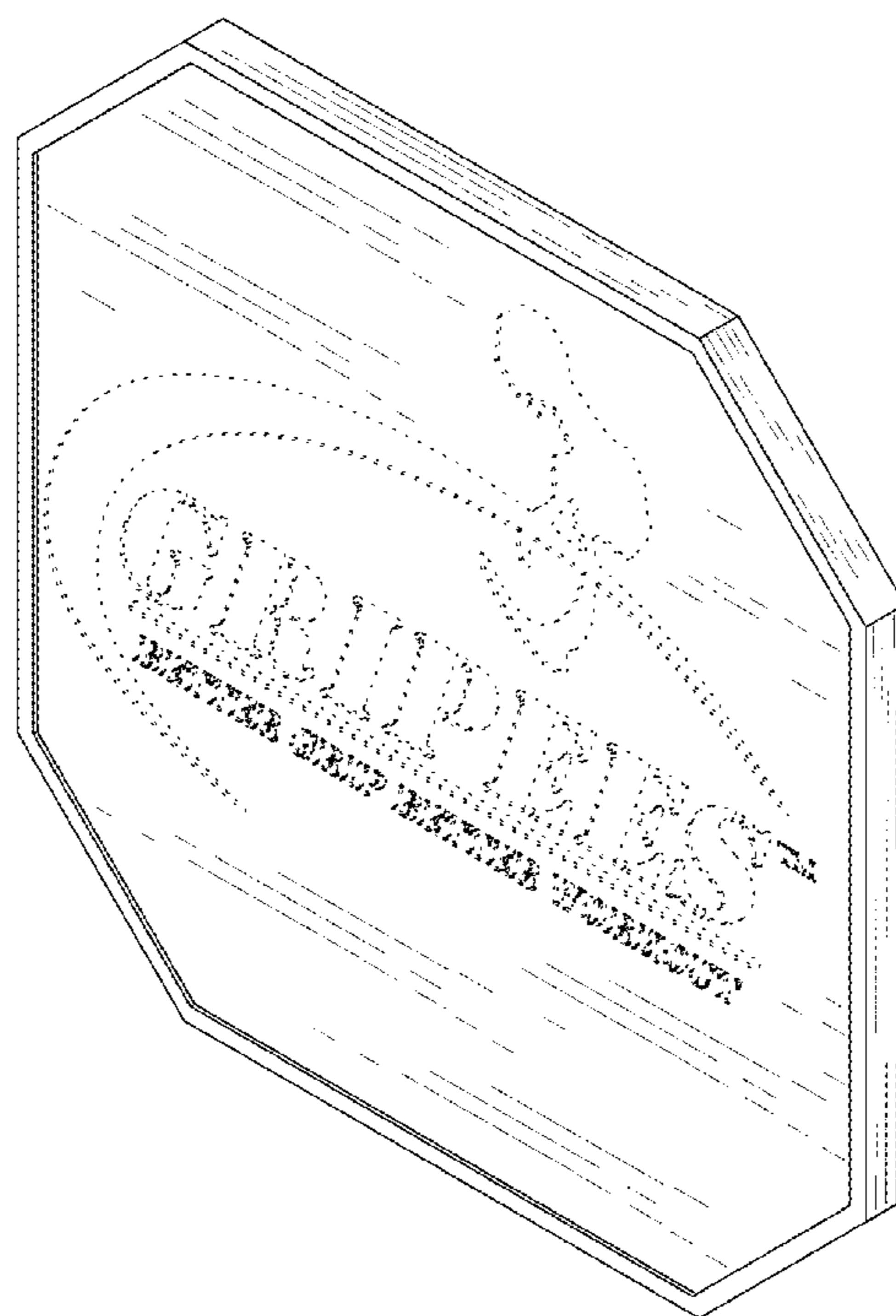
The broken line showing of the graphic subject matter on the front surface of the grip forms no part of the claimed design. The broken line showings of the exercise equipment in FIGS. 10 and 11 are included for the purpose of illustrating environmental structure that forms no part of the claimed design.

(56) **References Cited**

U.S. PATENT DOCUMENTS

3,810,091 A * 5/1974 Hoover 40/546
4,977,621 A * 12/1990 Richard 2/161.3
D363,248 S * 10/1995 Bogacki, III D10/109.1
5,620,274 A * 4/1997 Wear 403/171
D399,260 S * 10/1998 Thimote D20/17
6,178,554 B1 * 1/2001 Pake et al. 2/20
6,409,358 B1 * 6/2002 Grover 362/109
D479,561 S * 9/2003 Meyer D20/22
D532,980 S * 12/2006 Hutton D6/300
D601,856 S * 10/2009 Pancza D7/566

1 Claim, 11 Drawing Sheets



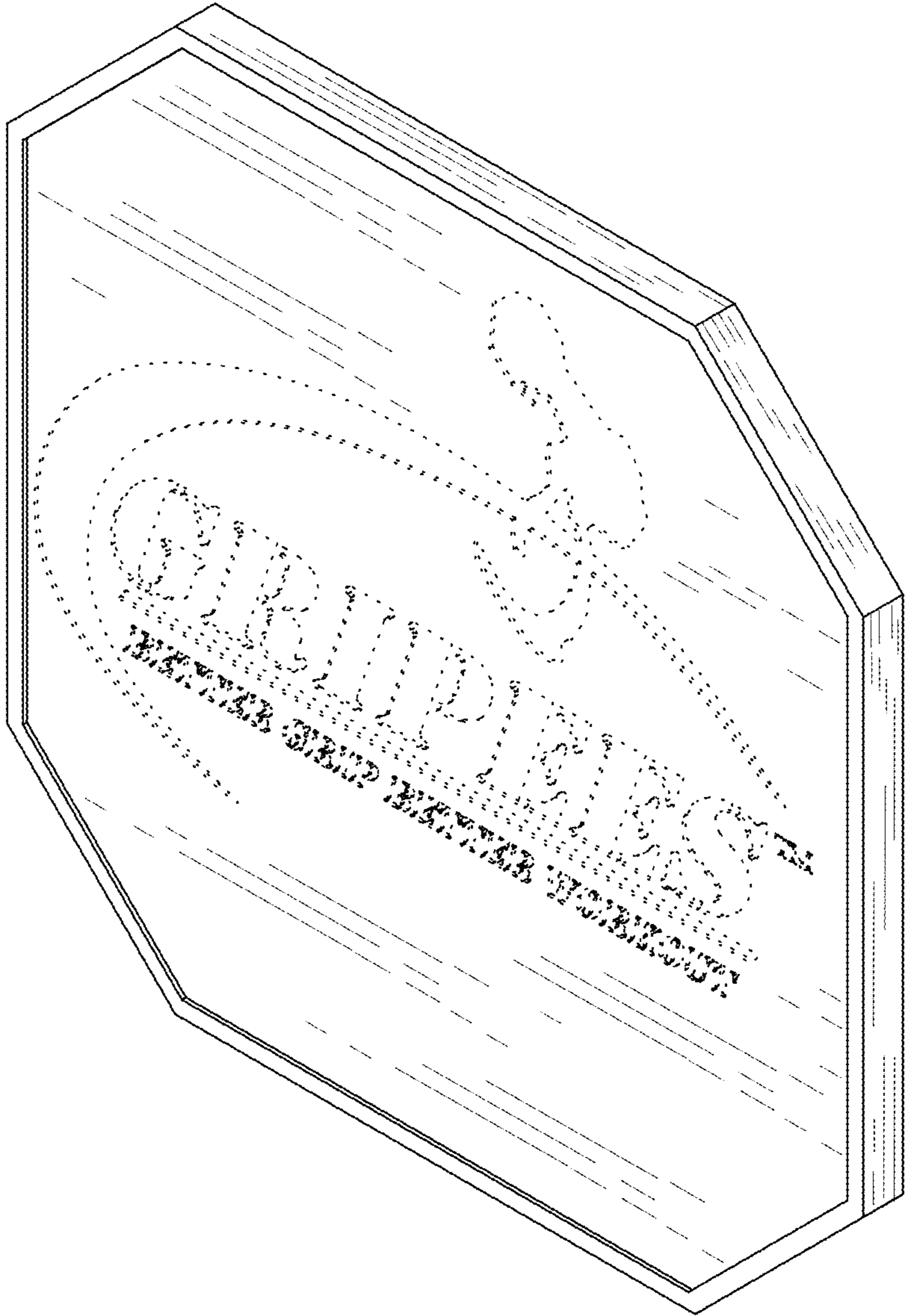


FIG. 1

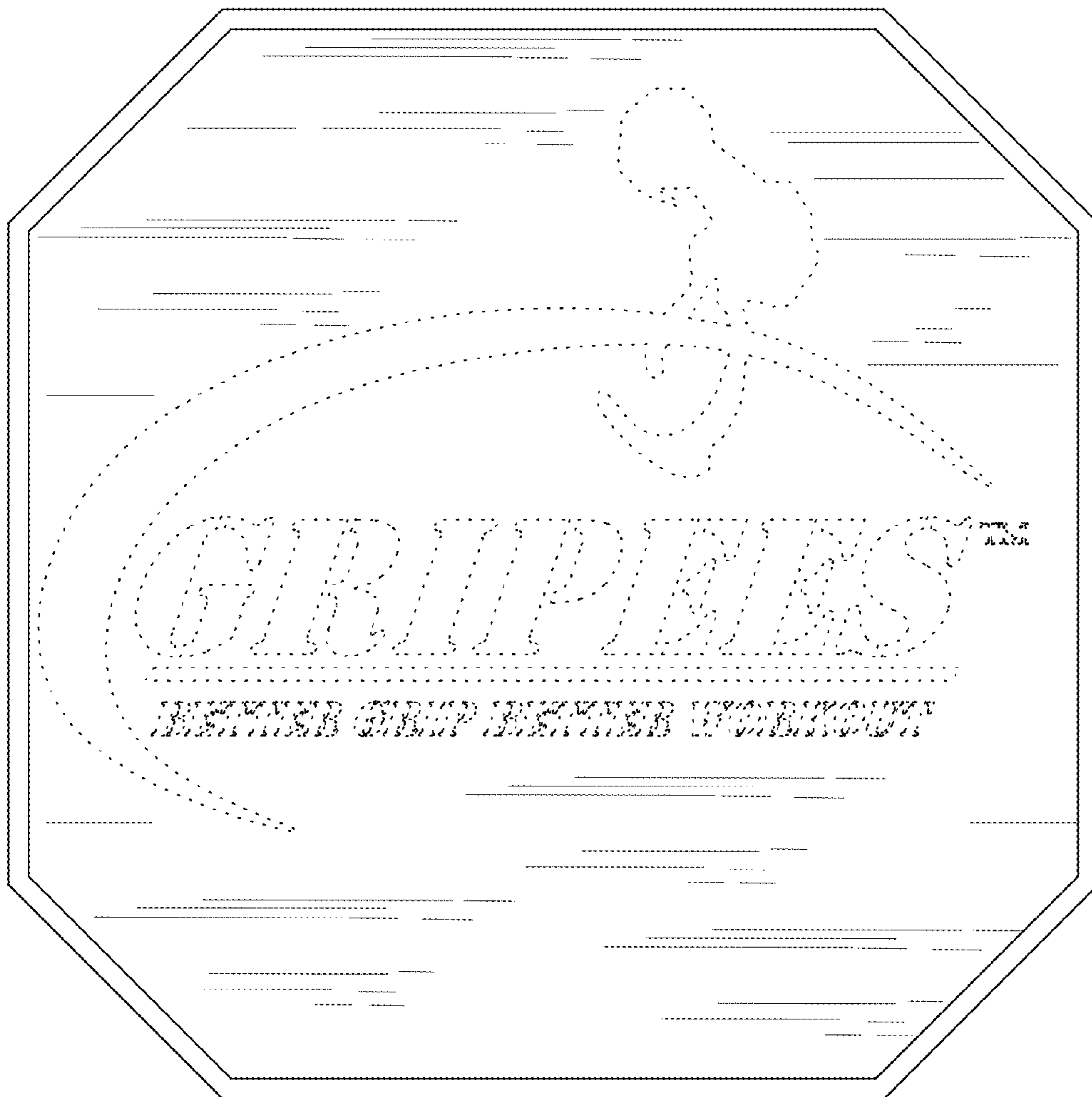


FIG. 2

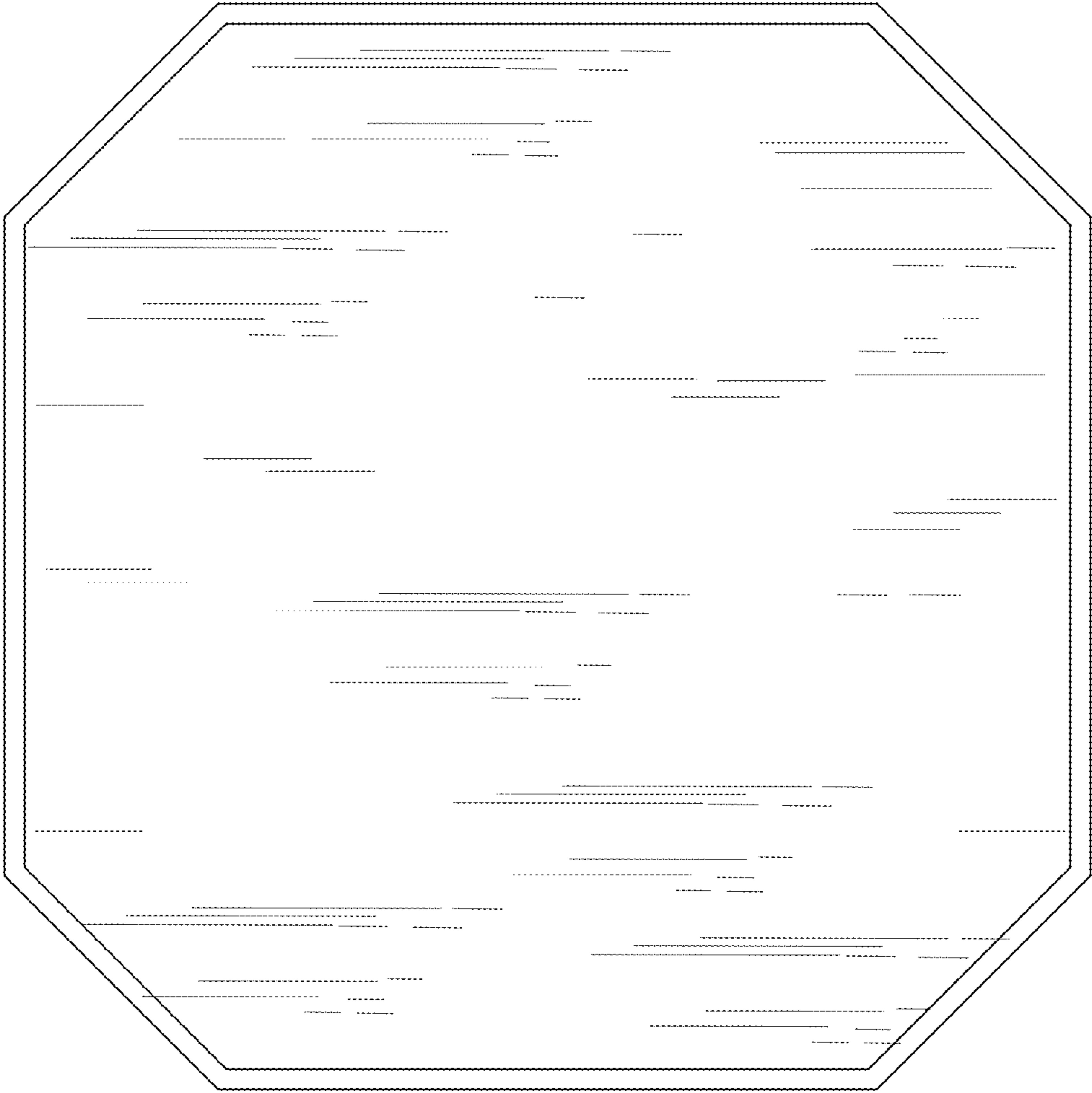


FIG. 3

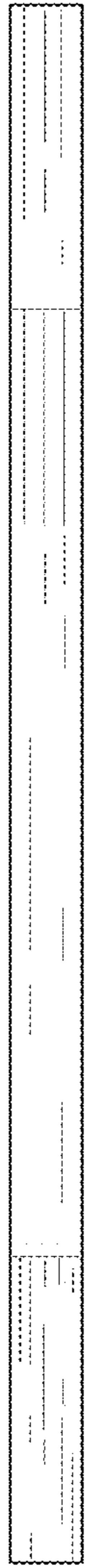


FIG. 4

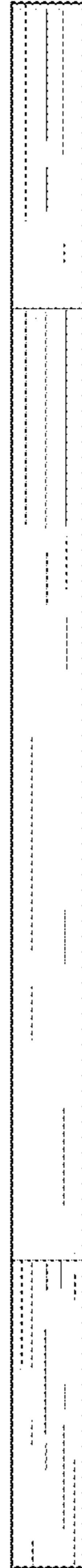


FIG. 5



FIG. 6



FIG. 7

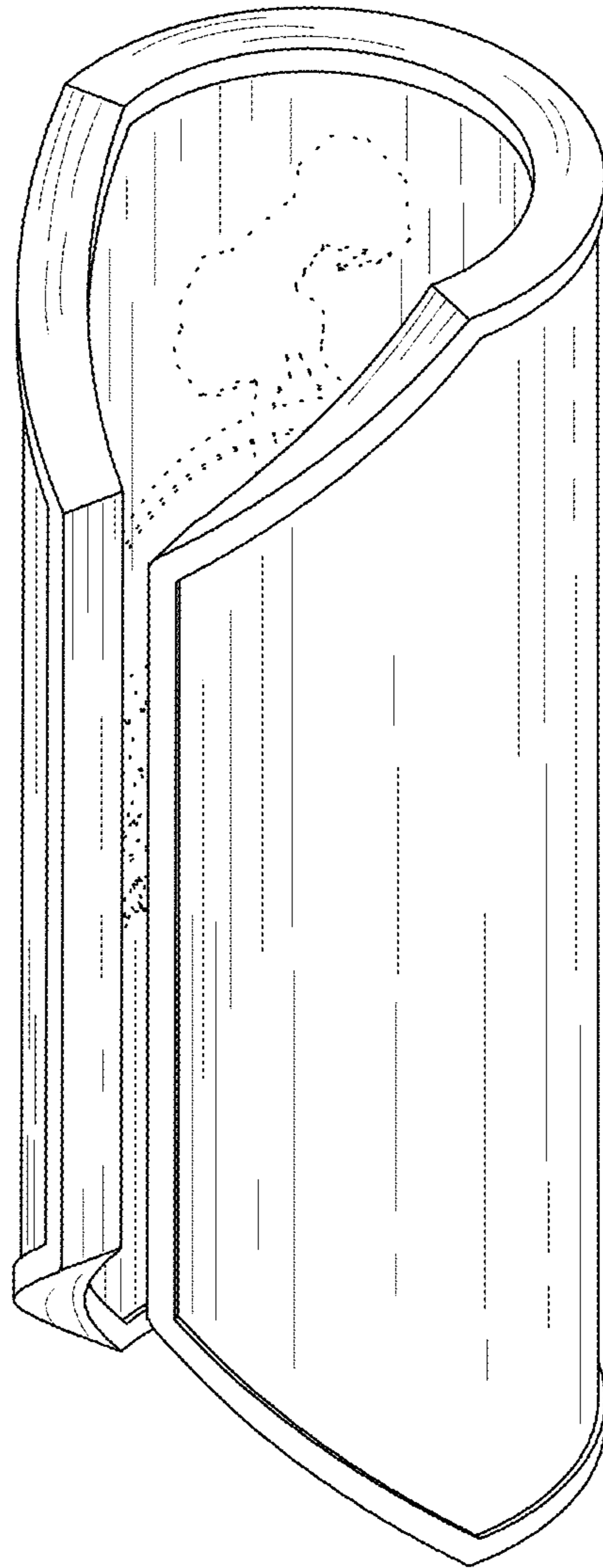


FIG. 8

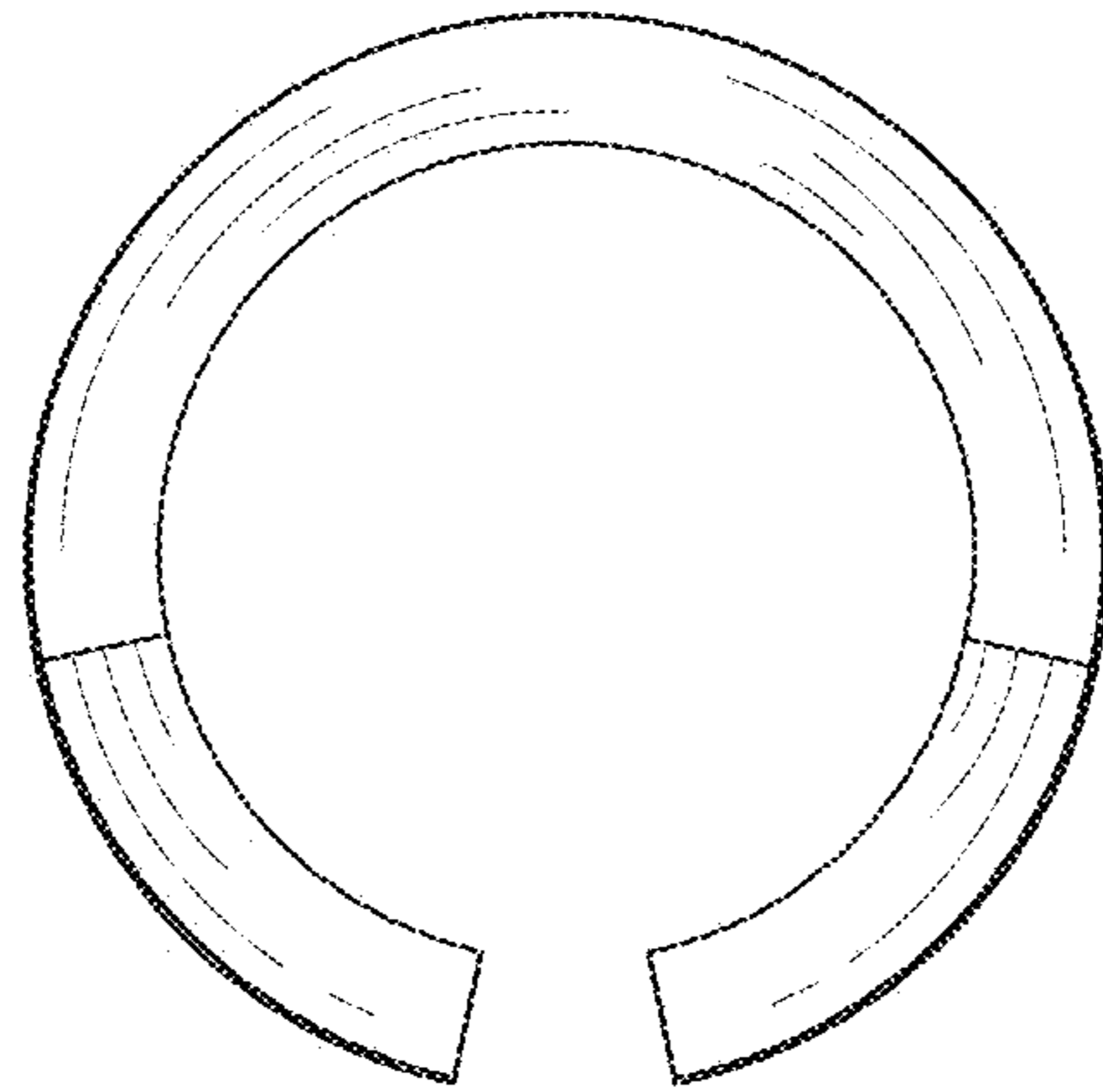


FIG. 9

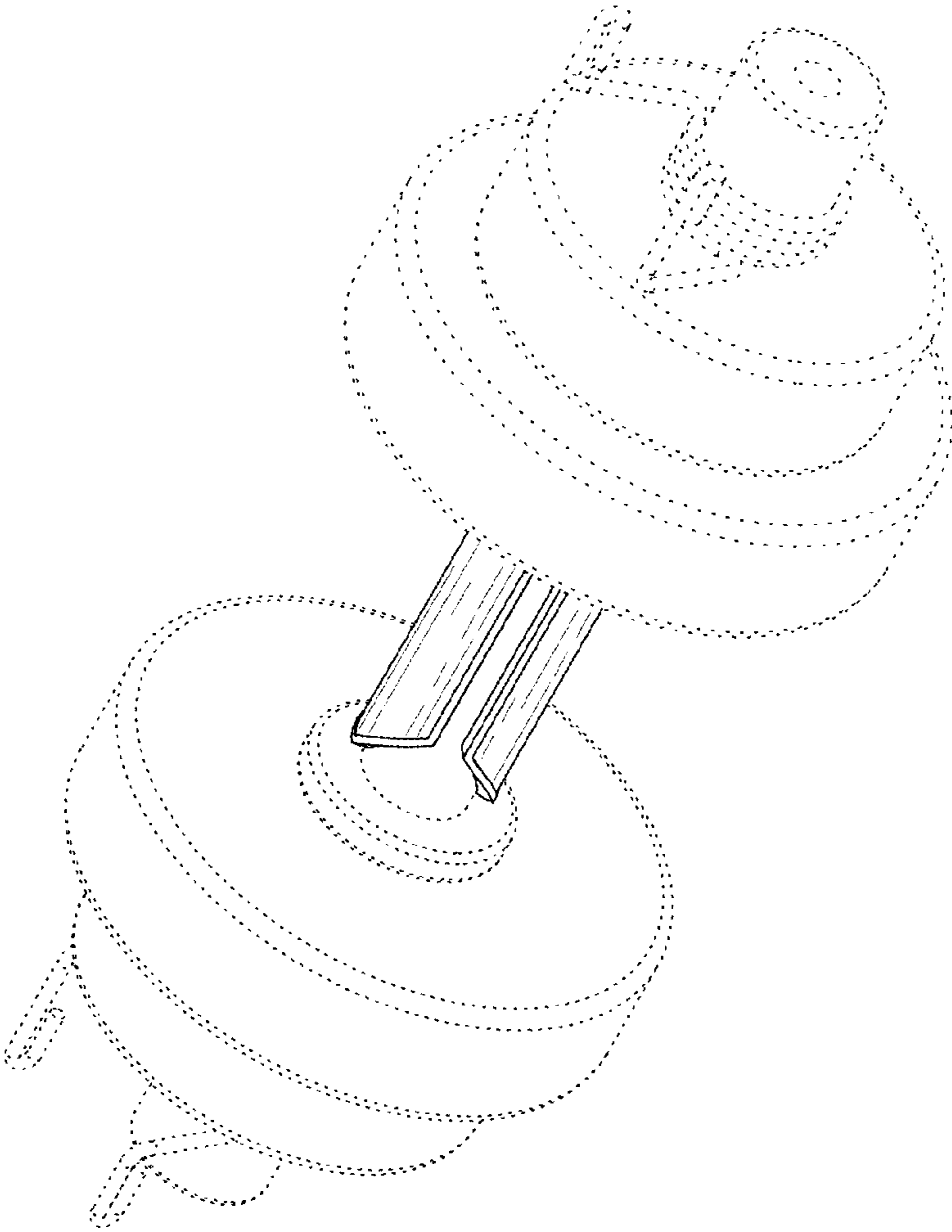


FIG. 10

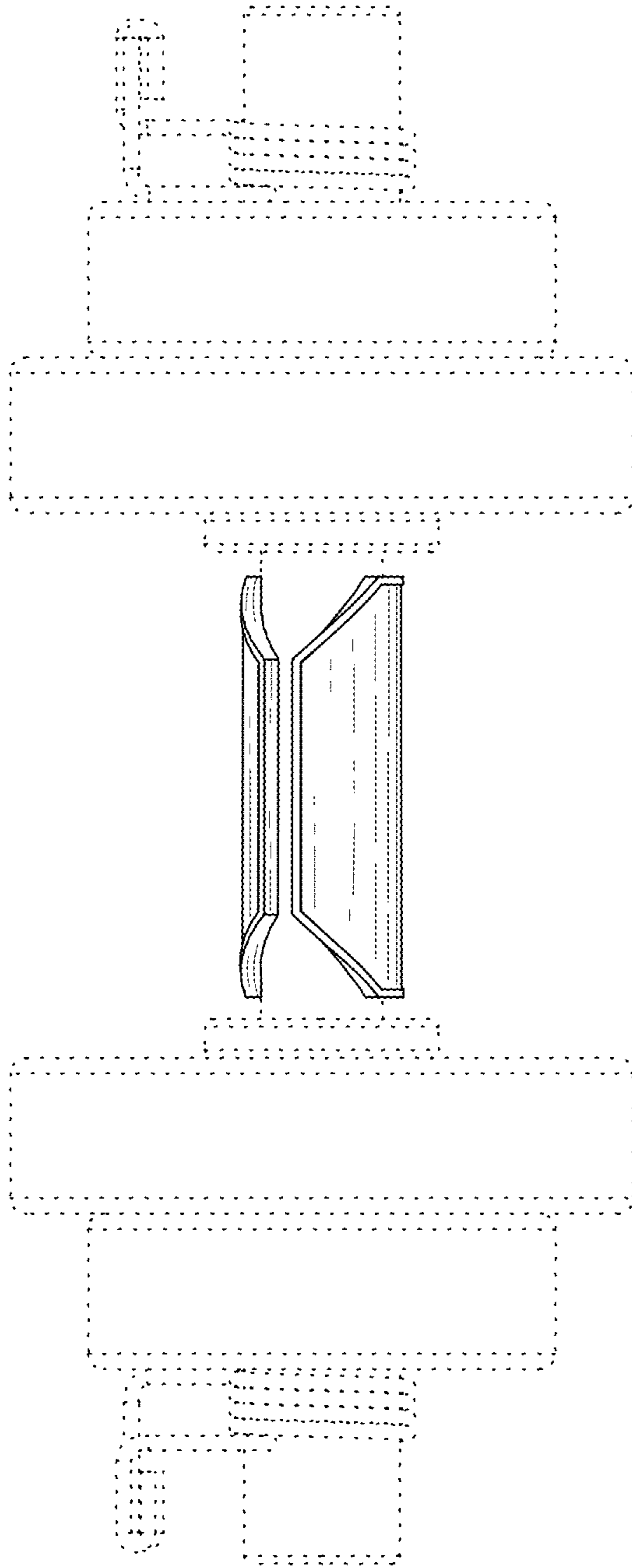


FIG. 11