



US00D709967S

(12) **United States Design Patent**
Takahashi et al.

(10) **Patent No.:** **US D709,967 S**

(45) **Date of Patent:** **** Jul. 29, 2014**

(54) **BRACELET-SHAPED TOY**

(75) Inventors: **Hideyuki Takahashi**, Tokyo (JP);
Takamichi Murayama, Tokyo (JP);
Yoshihito Uike, Tokyo (JP); **Naomi**
Takebe, Tokyo (JP); **Yoshihiro Takagi**,
Tokyo (JP)

(73) Assignee: **Bandai Co., Ltd.**, Tokyo (JP)

(**) Term: **14 Years**

(21) Appl. No.: **29/422,659**

(22) Filed: **May 22, 2012**

(30) **Foreign Application Priority Data**

Nov. 23, 2011 (JP) 2011-027057

(51) **LOC (10) Cl.** **21-01**

(52) **U.S. Cl.**
USPC **D21/579**

(58) **Field of Classification Search**
USPC D21/578-583, 621, 622; 446/268-274,
446/279, 280, 285, 289-292, 294, 297-303,
446/353-355, 376-384; D15/199;
318/568.11, 568.12, 568.2; D11/3-5;
D10/30-32

See application file for complete search history.

(56) **References Cited**

U.S. PATENT DOCUMENTS

D284,357 S * 6/1986 Nakane D10/33
D284,948 S * 8/1986 Ogawa D10/34

D286,664 S * 11/1986 Matsuda D21/580
D287,698 S * 1/1987 Ogawa D10/35
D291,973 S * 9/1987 Doi D10/33
D549,597 S * 8/2007 Kraus et al. D10/31
D552,572 S * 10/2007 Kim et al. D14/138 R
D571,249 S * 6/2008 Frederick et al. D11/4
D654,961 S * 2/2012 Onodera et al. D21/398

* cited by examiner

Primary Examiner — Zenia Bennett

(74) *Attorney, Agent, or Firm* — Rabin & Berdo, P.C.

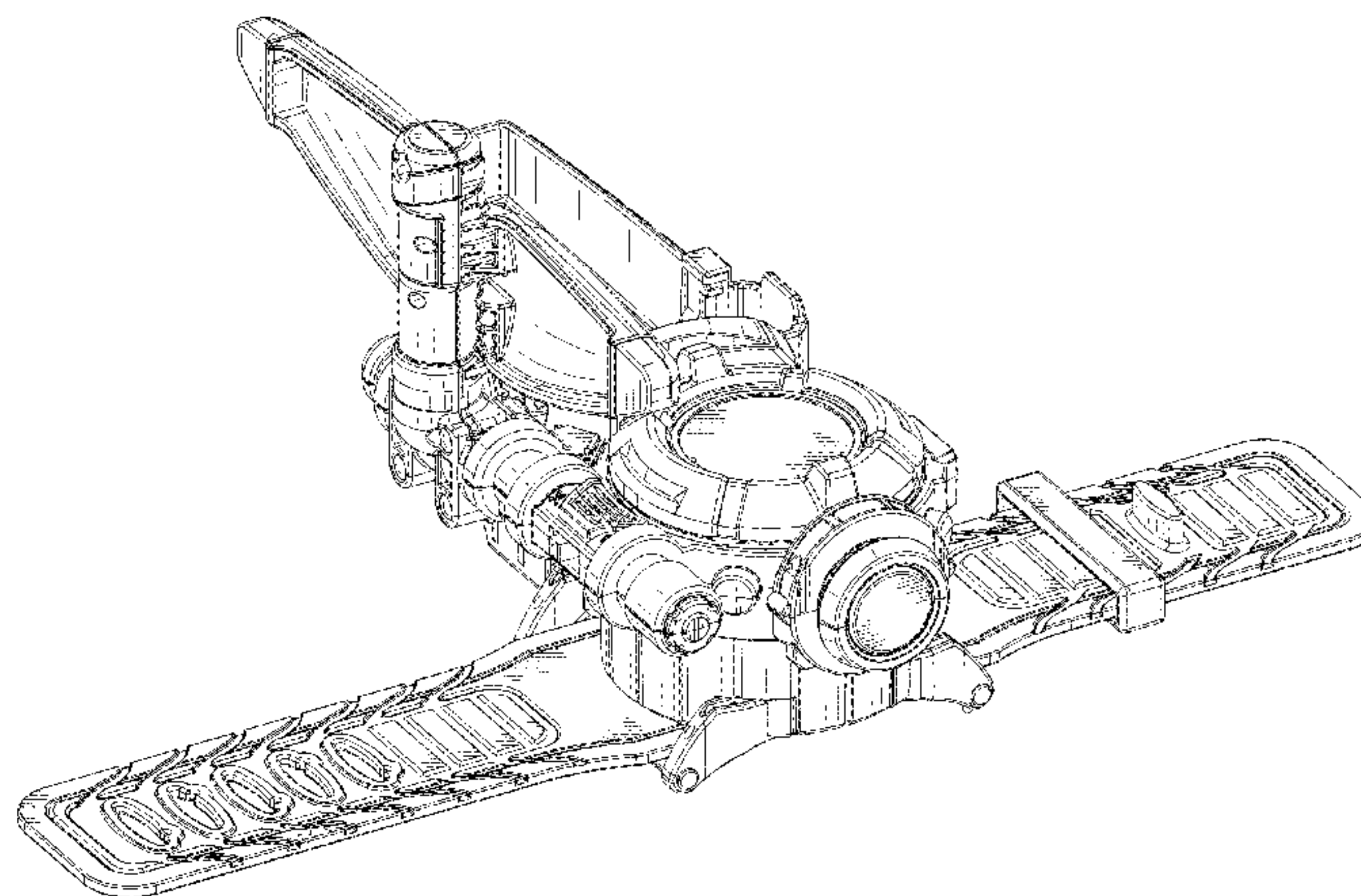
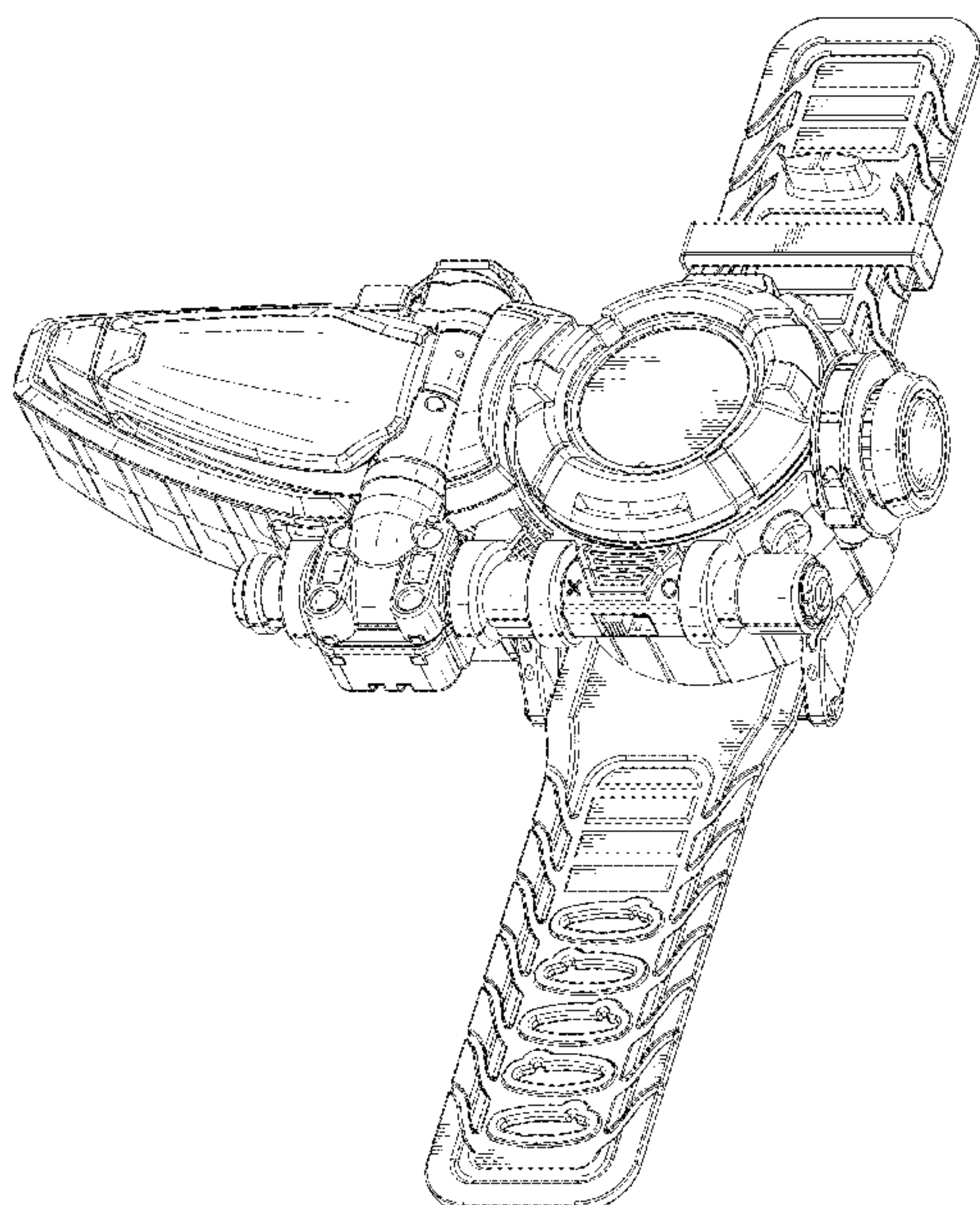
(57) **CLAIM**

The ornamental design for a bracelet-shaped toy, as shown and described.

DESCRIPTION

FIG. 1 is a front view of a bracelet-shaped toy;
FIG. 2 is a rear view thereof;
FIG. 3 is a right side view thereof;
FIG. 4 is a left side view thereof;
FIG. 5 is a top view thereof;
FIG. 6 is a bottom view thereof;
FIG. 7 is a perspective view thereof;
FIG. 8 is another perspective view thereof;
FIG. 9 is a front view showing the bracelet-shaped toy trans-
forming into an alternate position;
FIG. 10 is a rear view of FIG. 9;
FIG. 11 is a right side view of FIG. 9;
FIG. 12 is a left side view of FIG. 9;
FIG. 13 is a top view of FIG. 9;
FIG. 14 is a bottom view of FIG. 9;
FIG. 15 is a perspective view of FIG. 9; and,
FIG. 16 is another perspective view of FIG. 9.

1 Claim, 14 Drawing Sheets



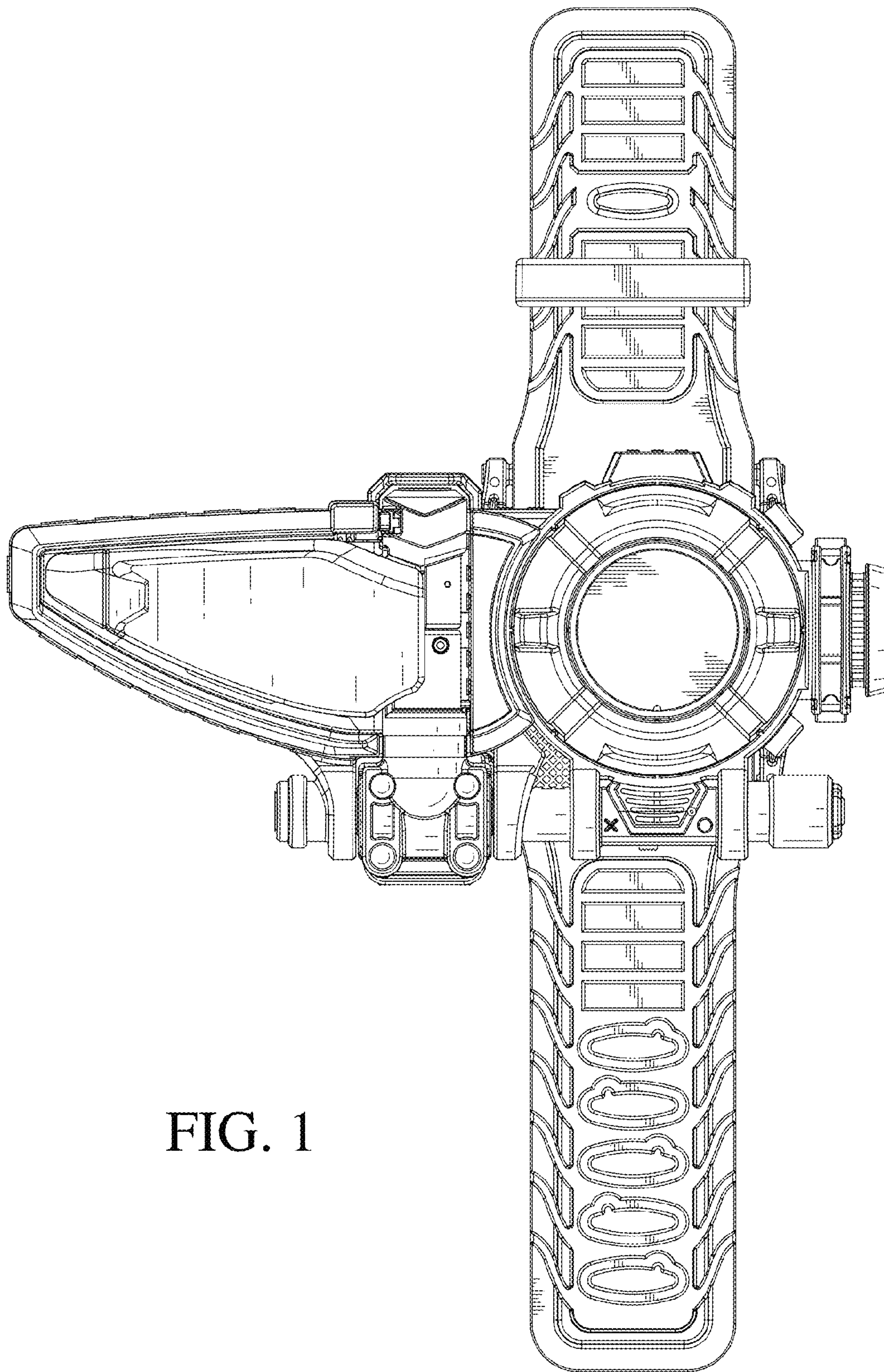


FIG. 1

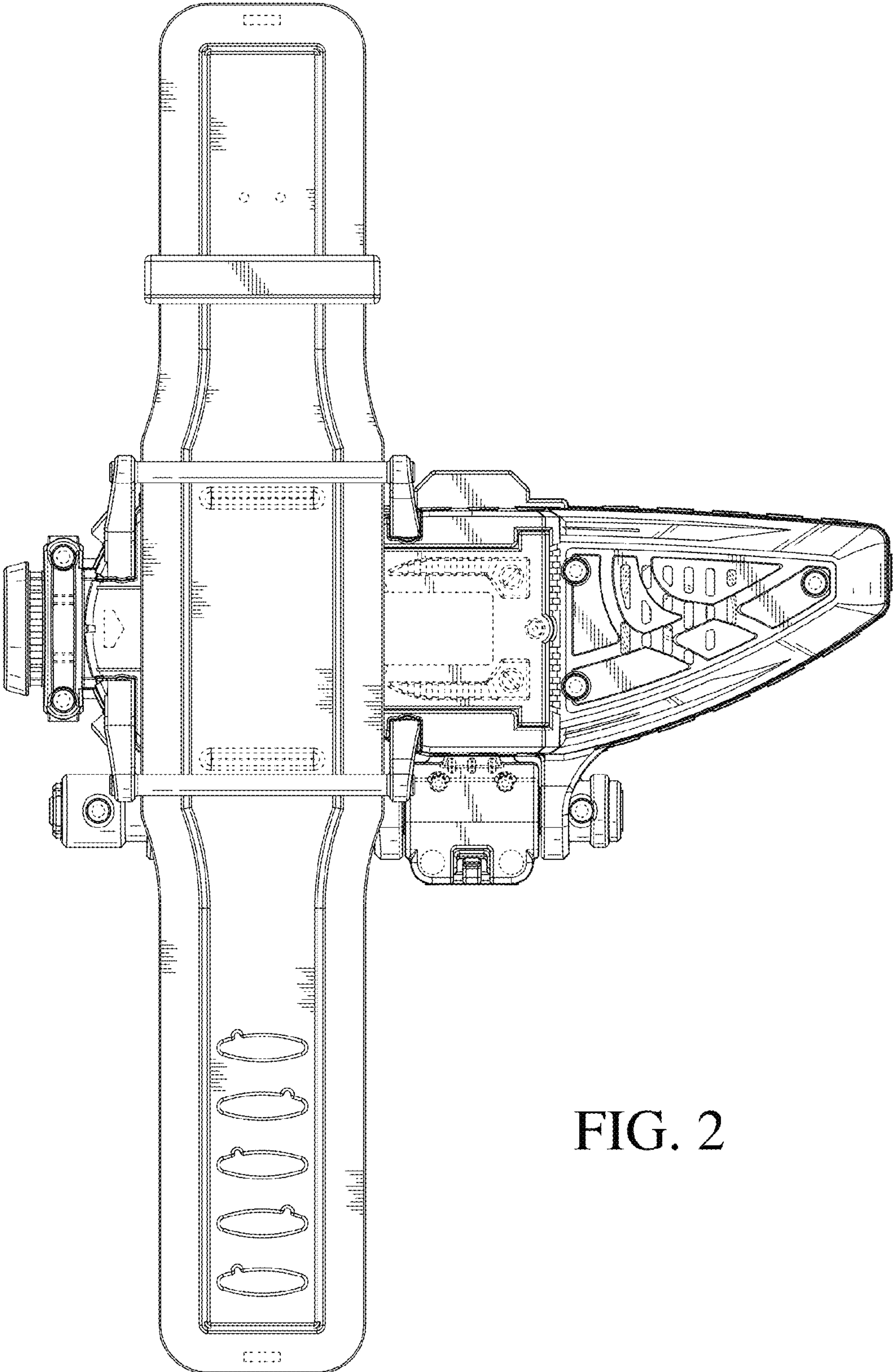


FIG. 2

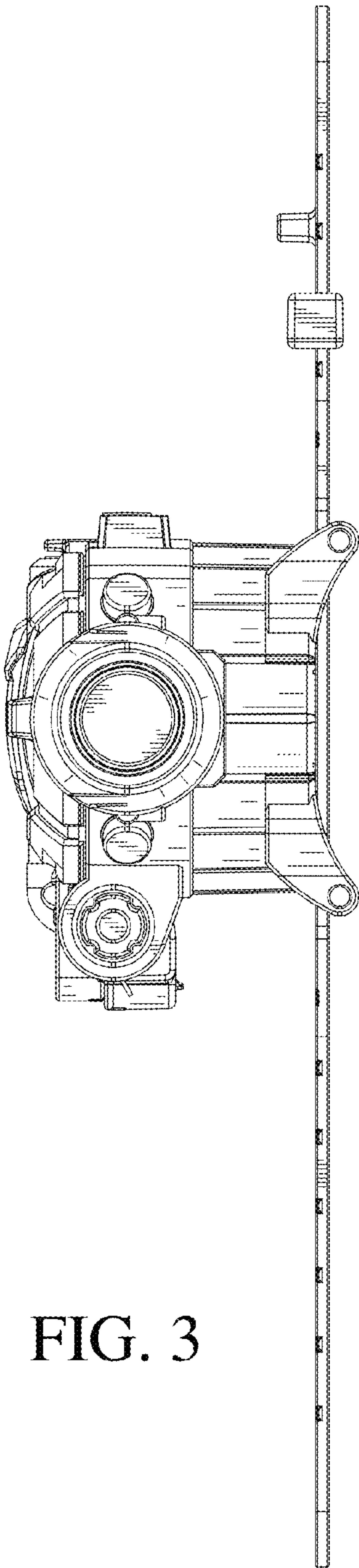


FIG. 3

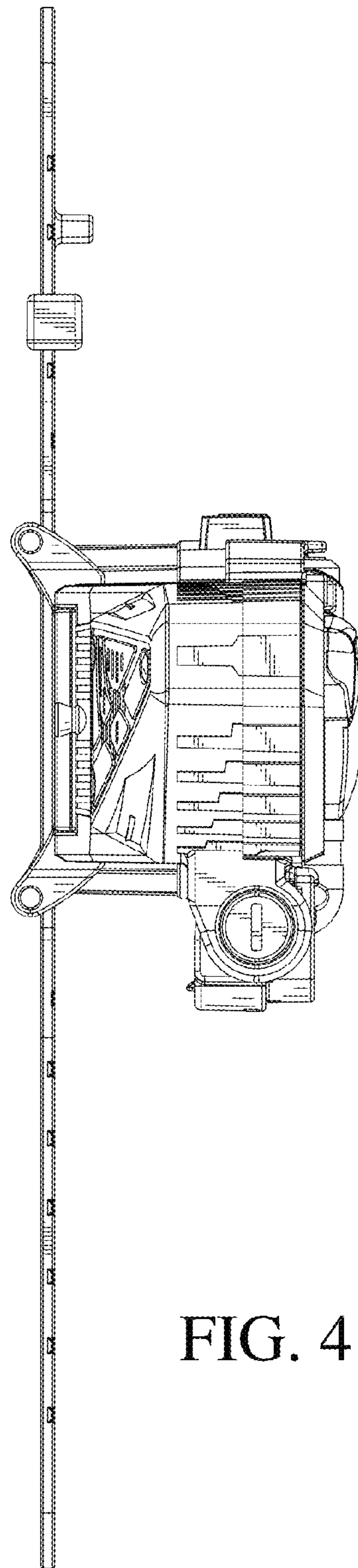


FIG. 4

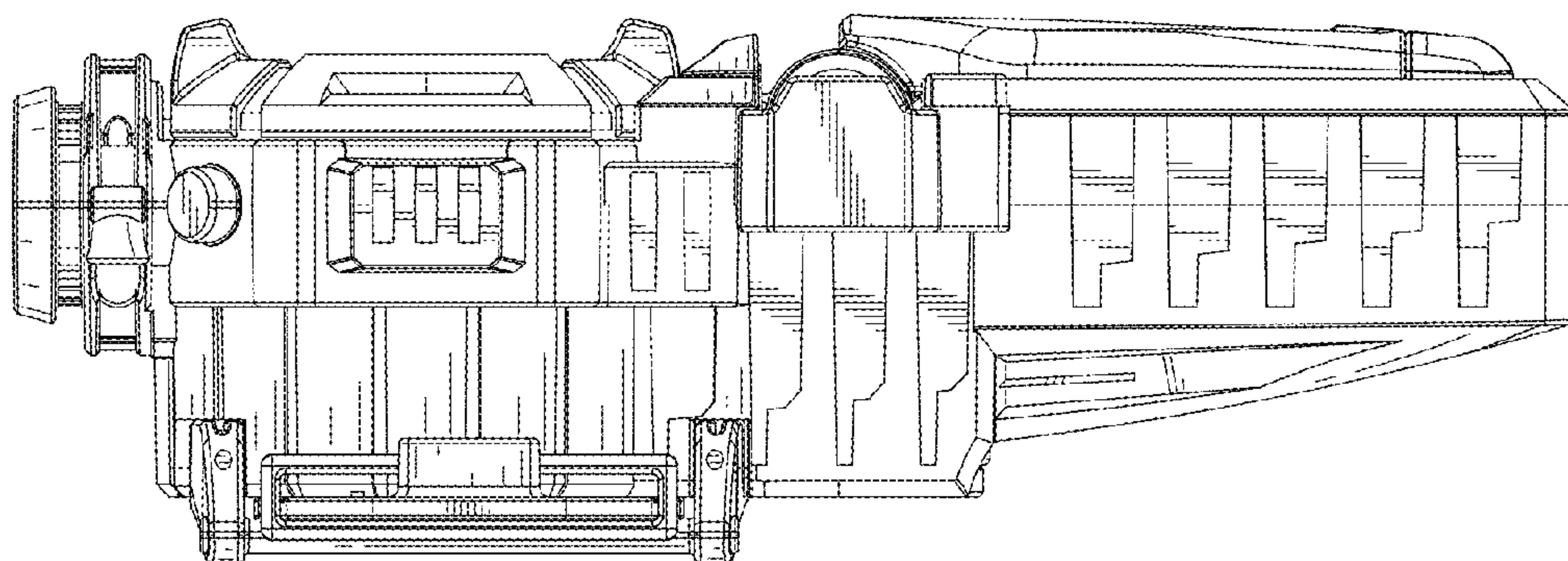


FIG. 5

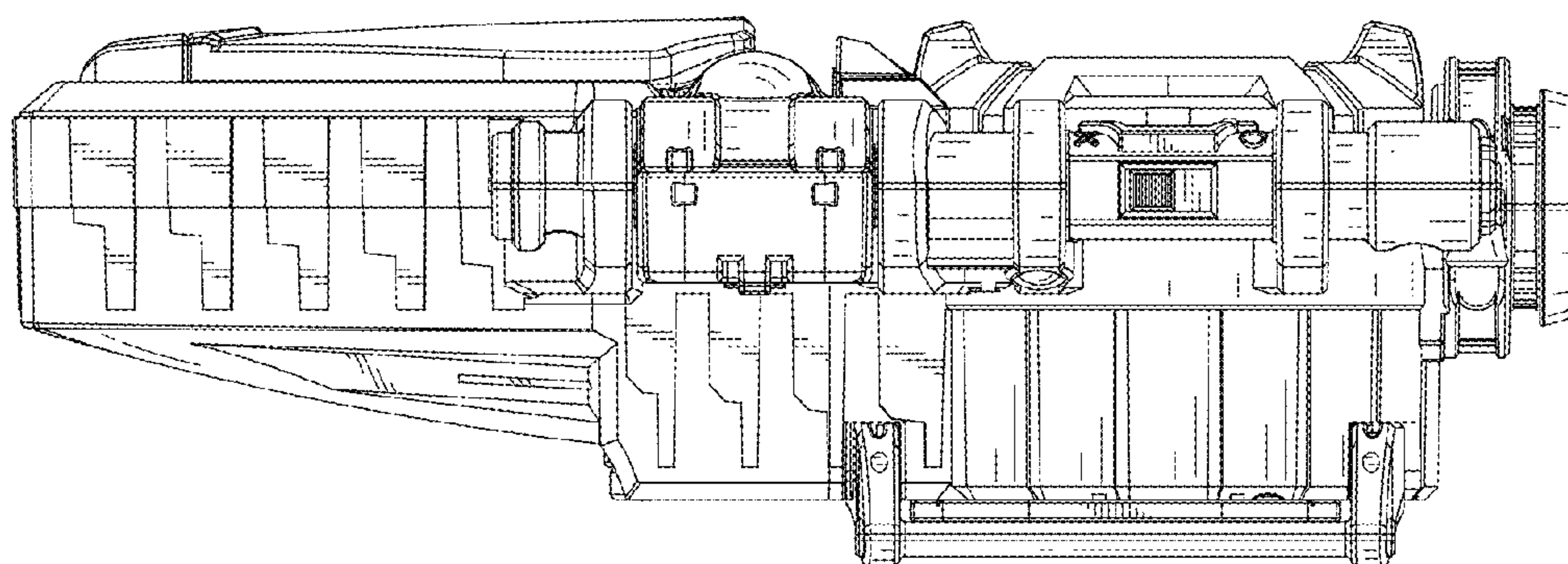


FIG. 6

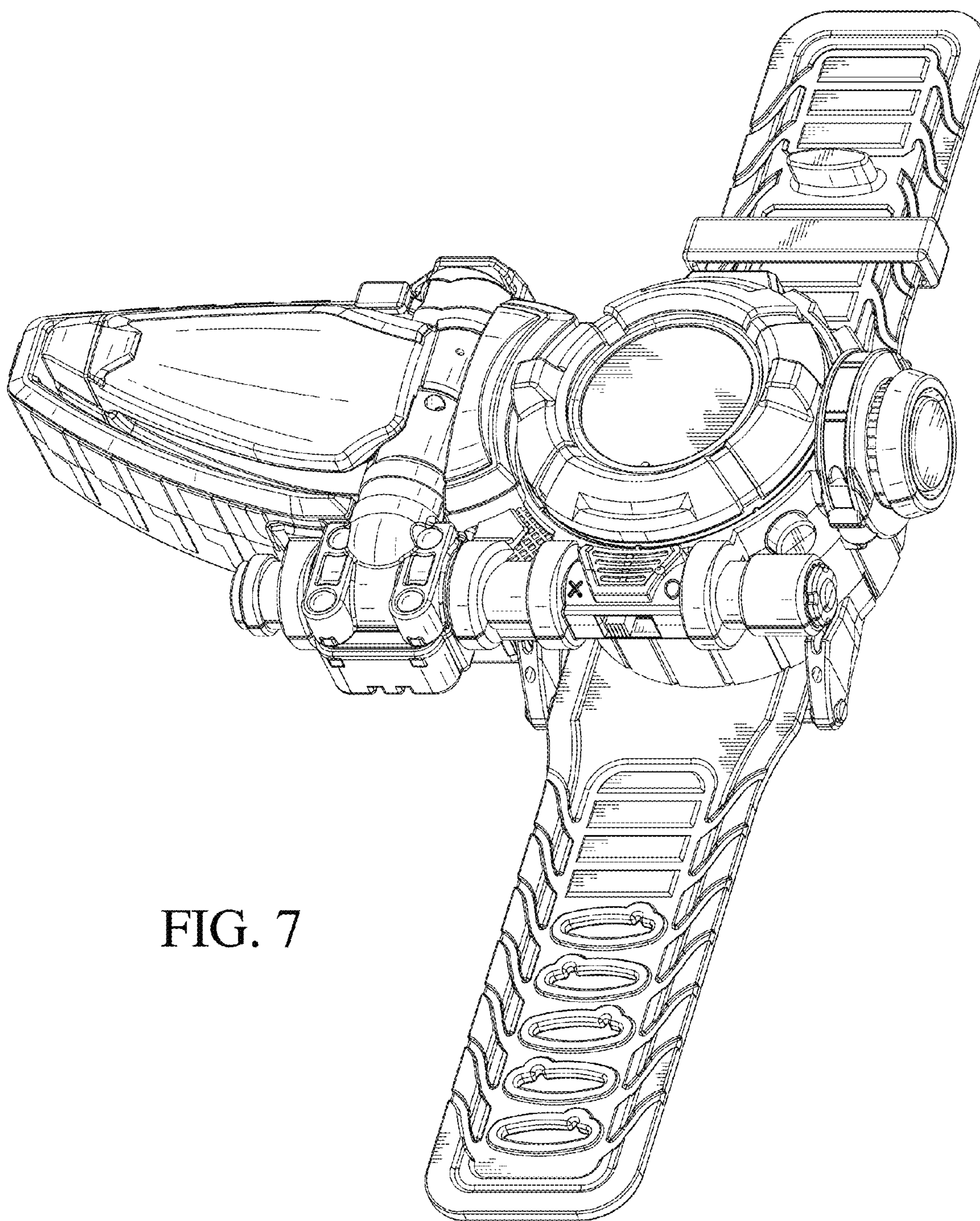


FIG. 7

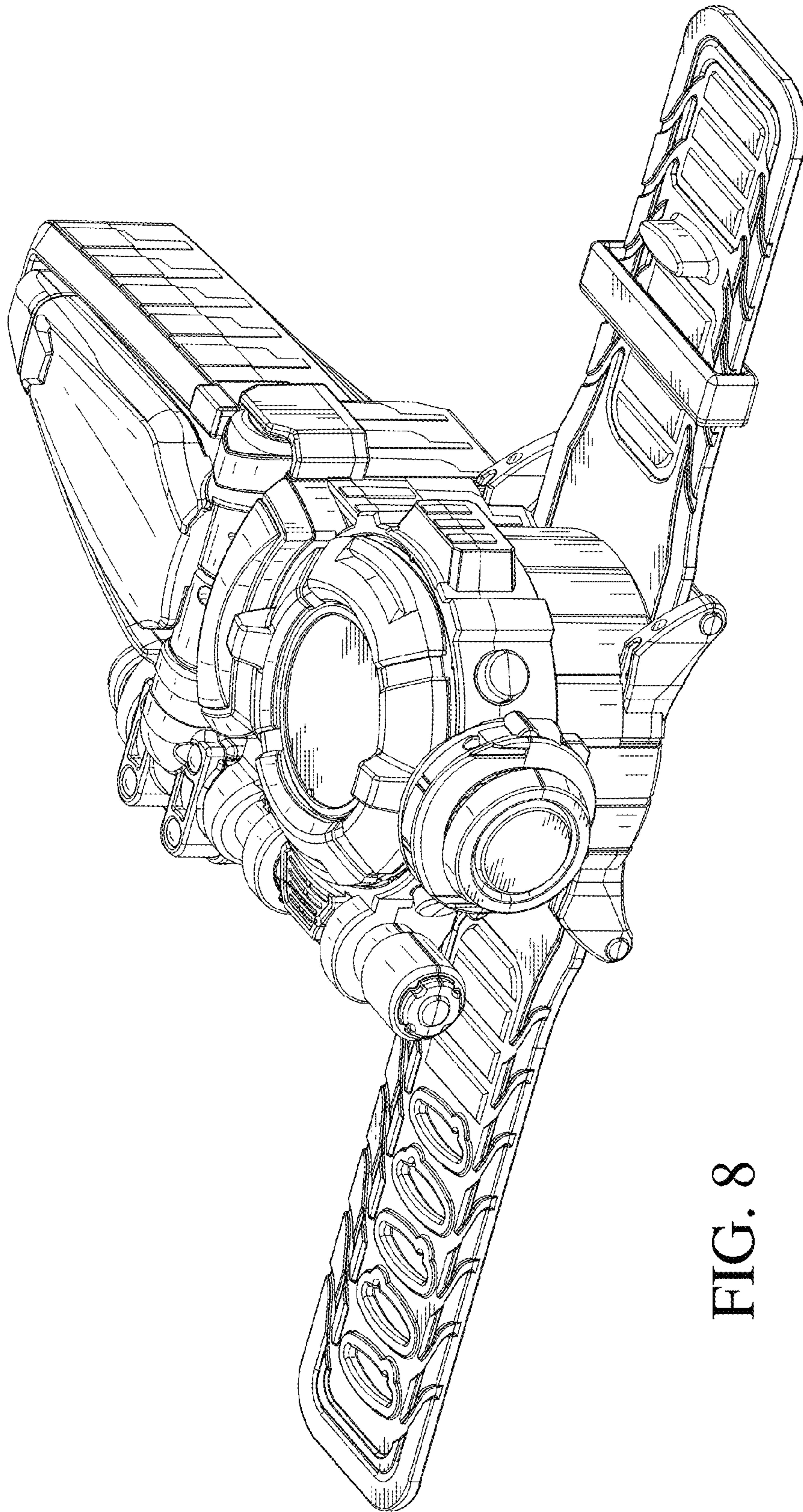


FIG. 8

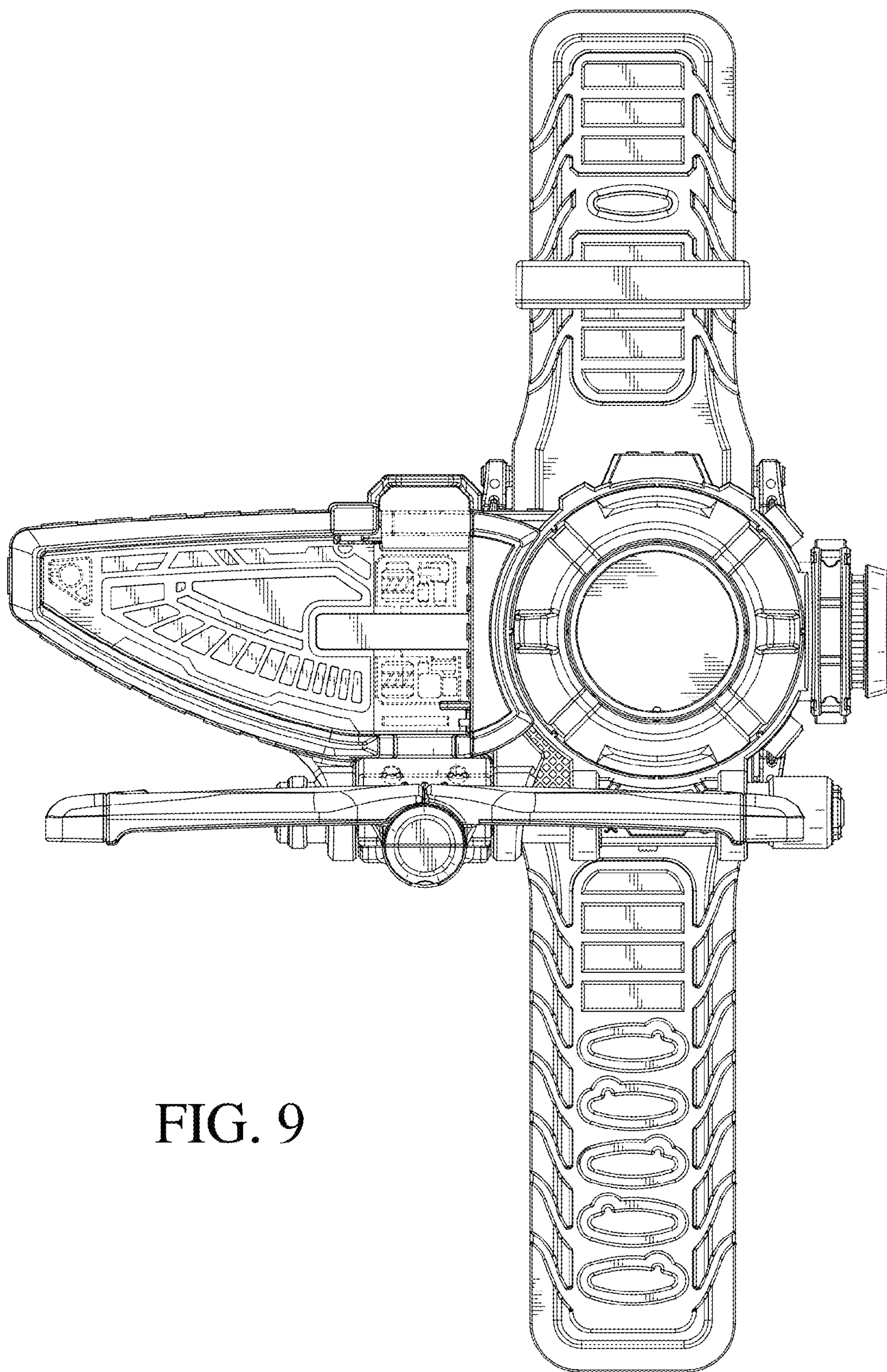


FIG. 9

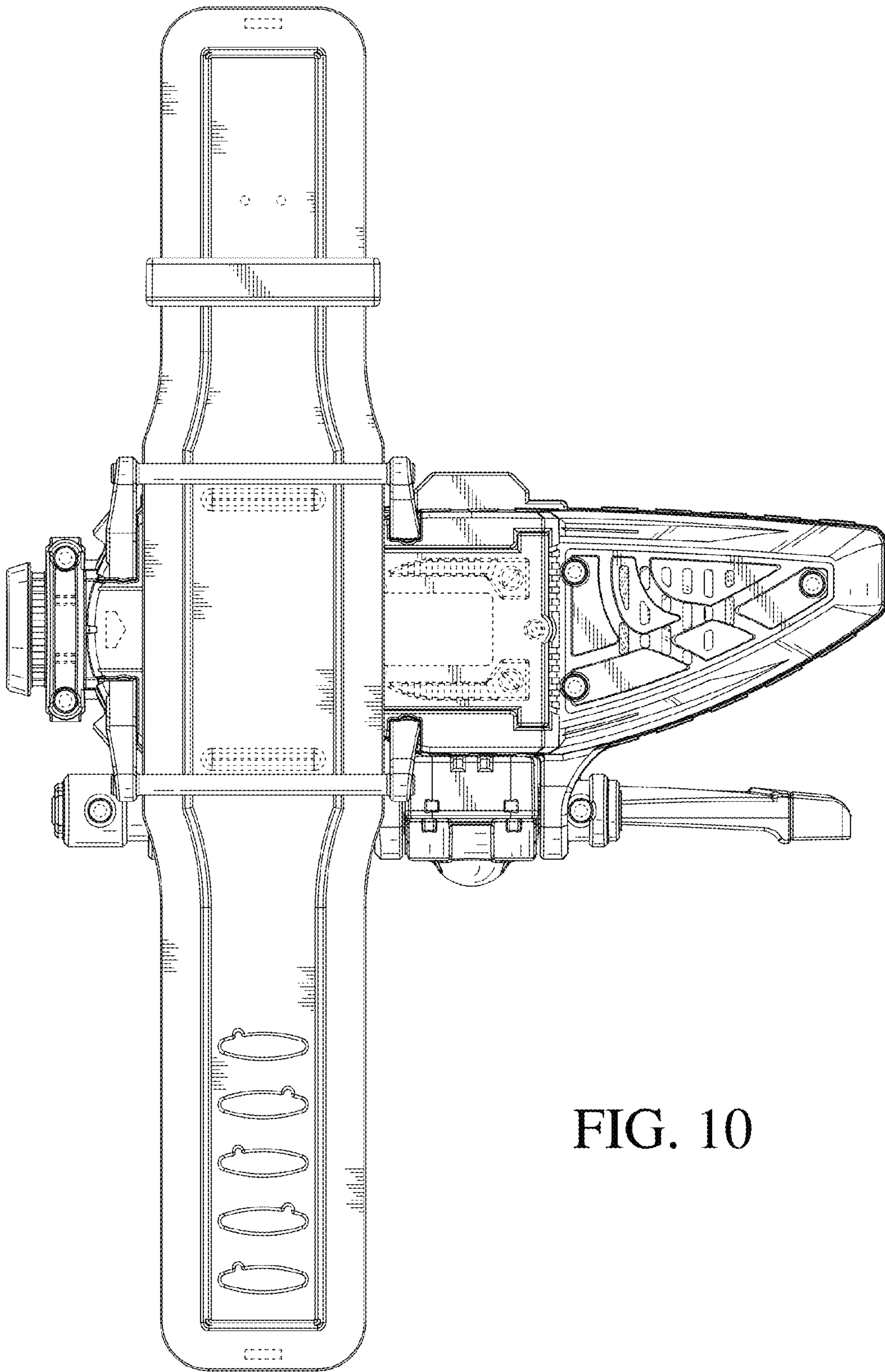
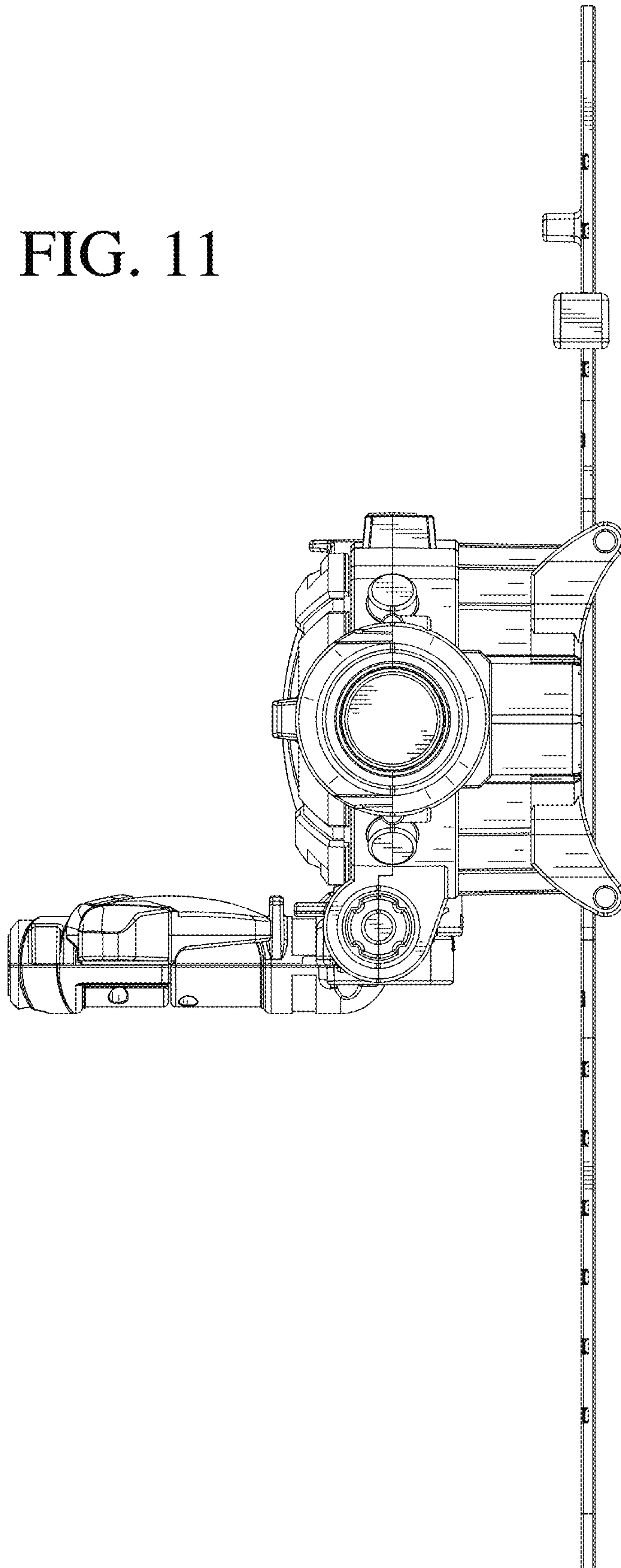
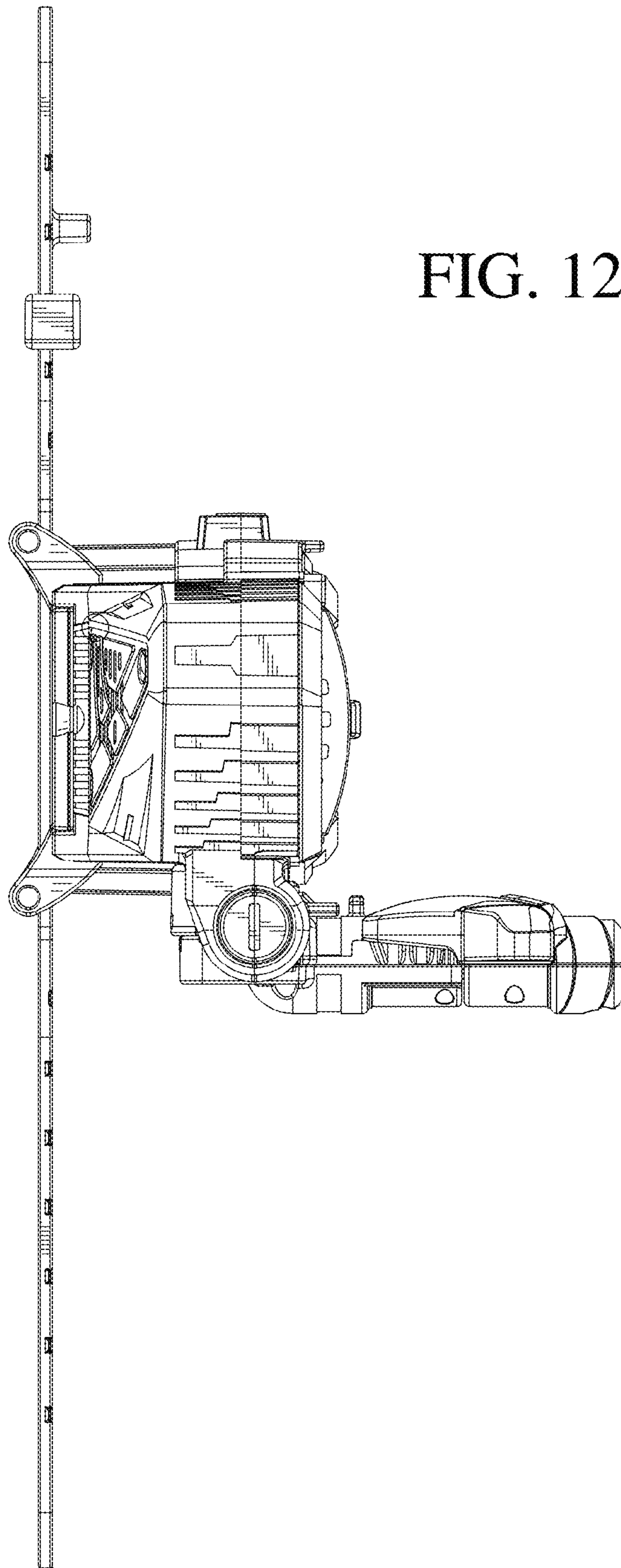


FIG. 10

FIG. 11





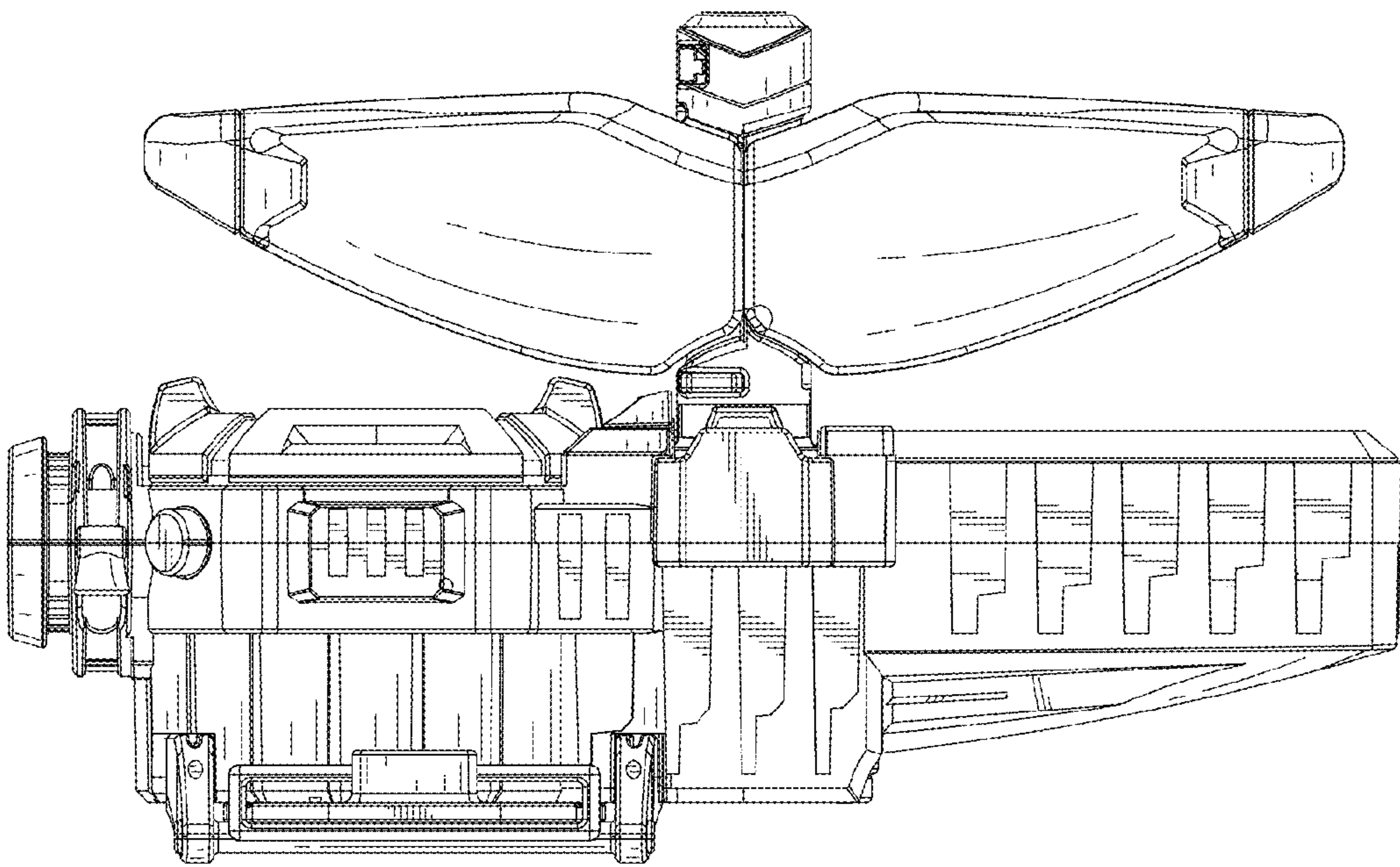


FIG. 13

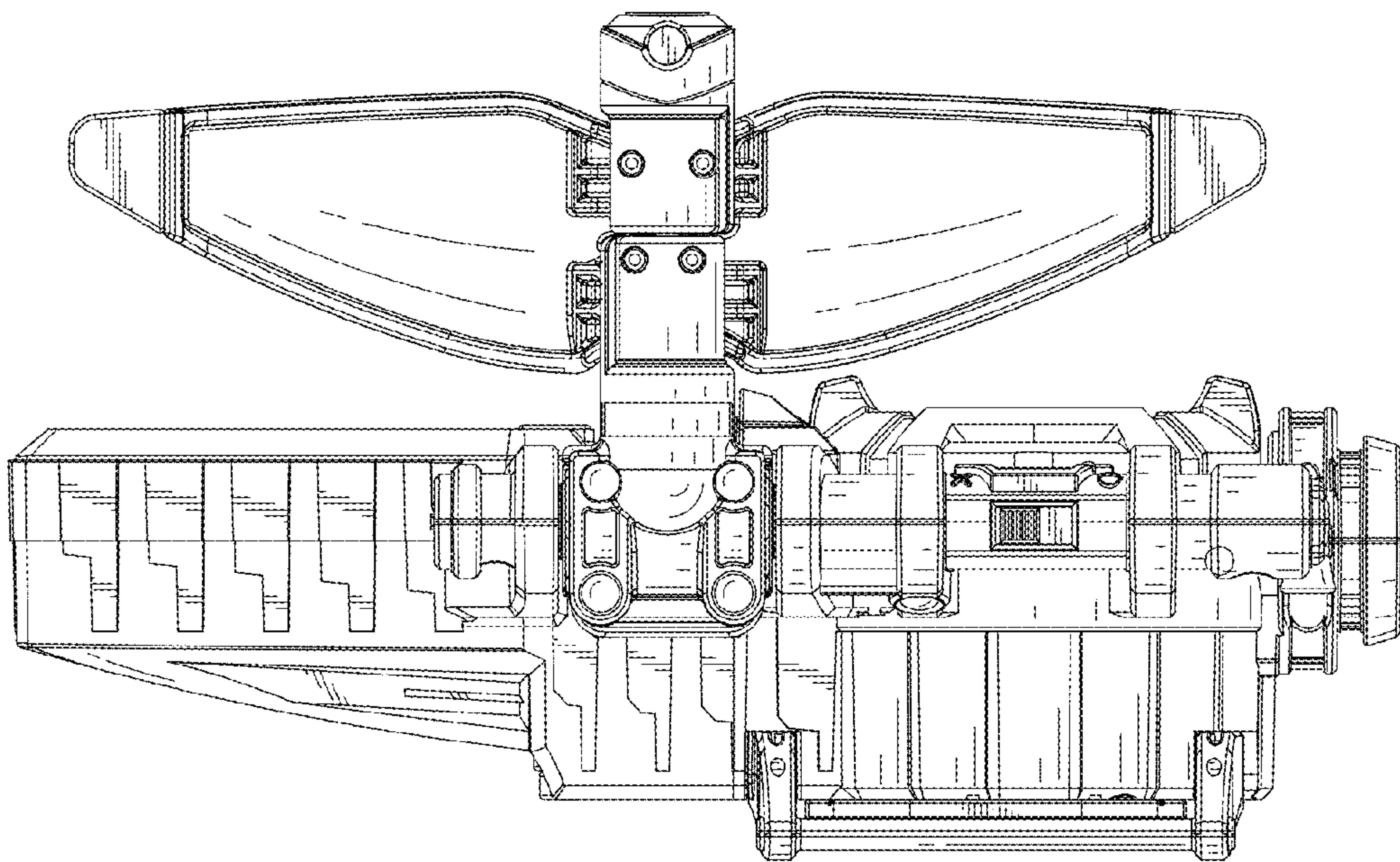
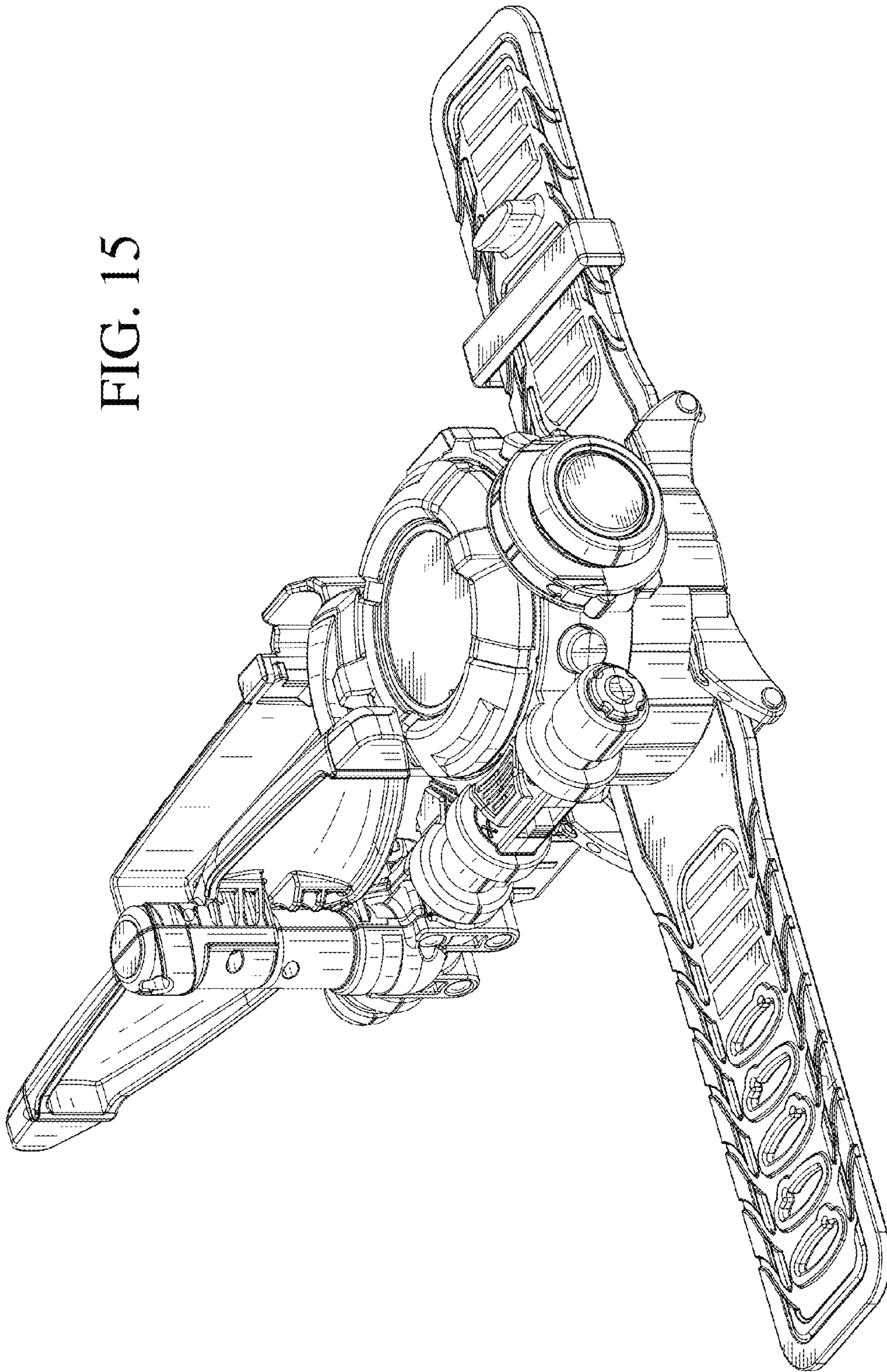


FIG. 14

FIG. 15



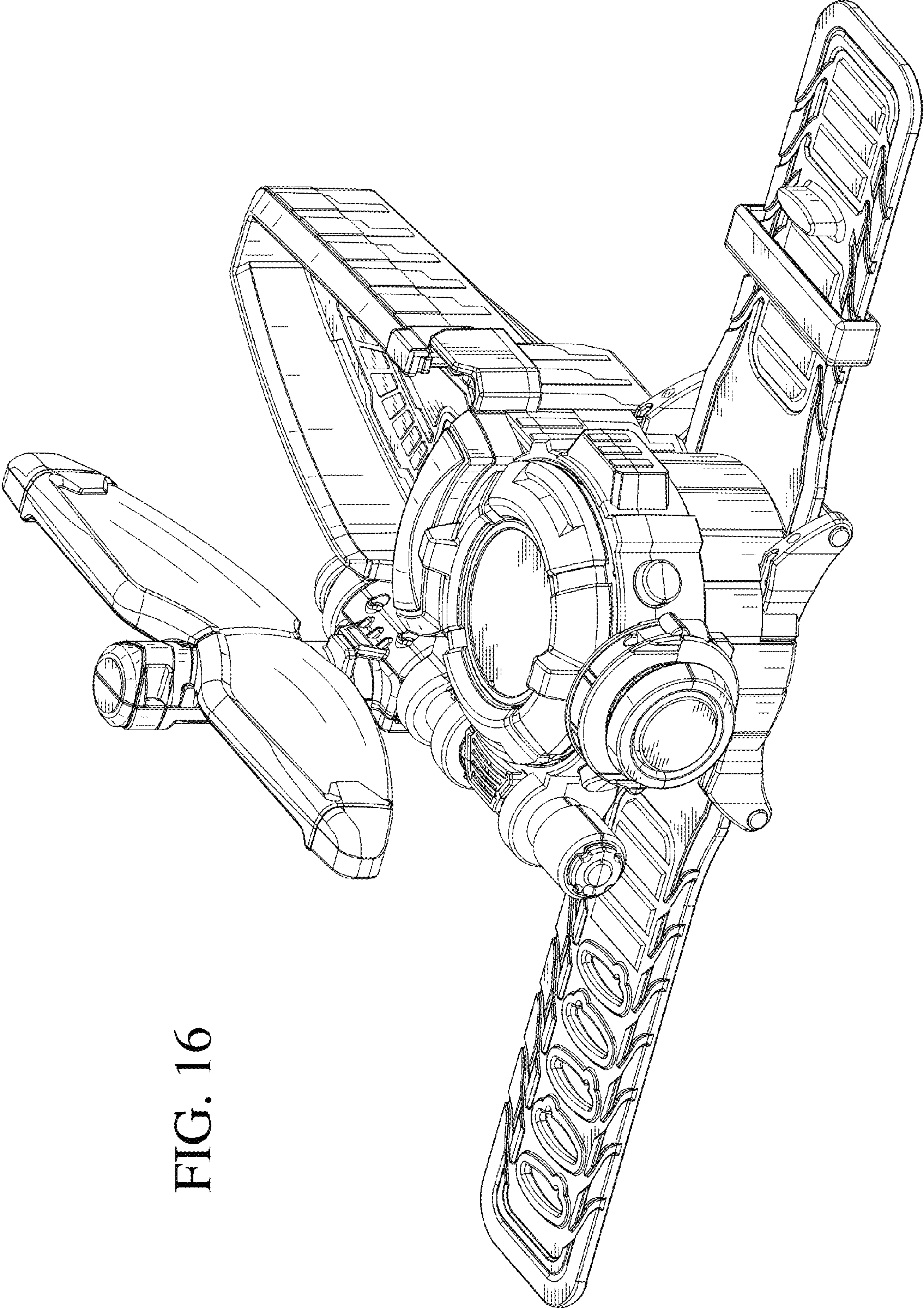


FIG. 16