



US00D709963S

(12) **United States Design Patent**  
**O'Brien**

(10) **Patent No.:** **US D709,963 S**  
(45) **Date of Patent:** **\*\* Jul. 29, 2014**

- (54) **GAMING TABLE**
- (71) Applicant: **Triamble Pty Limited**, Bronte (AU)
- (72) Inventor: **Stuart O'Brien**, Bronte (AU)
- (73) Assignee: **Triamble Pty Limited**, Bronte (AU)
- (\*\*) Term: **14 Years**
- (21) Appl. No.: **29/448,458**
- (22) Filed: **Mar. 12, 2013**
- (30) **Foreign Application Priority Data**

598,969	A	2/1898	Anderton	
648,008	A *	4/1900	Wellman	229/115
1,373,448	A	4/1921	Precinauskas	
D122,038	S	8/1940	Toombs	
D164,682	S *	10/1951	Forward	D6/489
2,822,860	A *	2/1958	Calabrese	D6/368
D217,624	S	5/1970	Rushing	
D237,200	S	10/1975	Bojicic	
4,515,370	A	5/1985	Garcia	
D306,180	S	2/1990	Murray	
4,991,335	A *	2/1991	Krautsack	40/617
5,360,214	A	11/1994	Harmen	
6,357,748	B1	3/2002	Tomkovich	
D585,670	S *	2/2009	Gharabegian	D6/489
7,549,643	B2	6/2009	Quach	
8,128,089	B2	3/2012	Erickson	
2005/0236770	A1	10/2005	Hague	

- Sep. 12, 2012 (AU) ..... 14521/2012
- (51) **LOC (10) Cl.** ..... **21-03**
- (52) **U.S. Cl.**  
USPC ..... **D21/369; D6/693**
- (58) **Field of Classification Search**  
USPC ..... D14/302, 305-307, 485-486;  
D21/324-325, 329, 364, 369-375, 385,  
D21/397; 273/145 R, 144 A, 146, 26;  
463/17, 20, 46-47; 715/781, 786;  
D6/676, 693-693.3  
See application file for complete search history.

\* cited by examiner

*Primary Examiner* — Sandra Morris  
(74) *Attorney, Agent, or Firm* — Gardere Wynne Sewell LLP

- (56) **References Cited**  
U.S. PATENT DOCUMENTS

378,931	A	3/1888	Hyde
D28,317	S	2/1898	Rackleff

(57) **CLAIM**  
The ornamental design for a gaming table, as shown and described.

**DESCRIPTION**

FIG. 1 is a perspective view of a gaming table in accordance with the invention; and,  
FIG. 2 is a plan view of the gaming table shown in FIG. 1. The bottom view is flat and unornamented. The broken line showing is for illustrative purposes only, and forms no part of the claimed design.

**1 Claim, 2 Drawing Sheets**

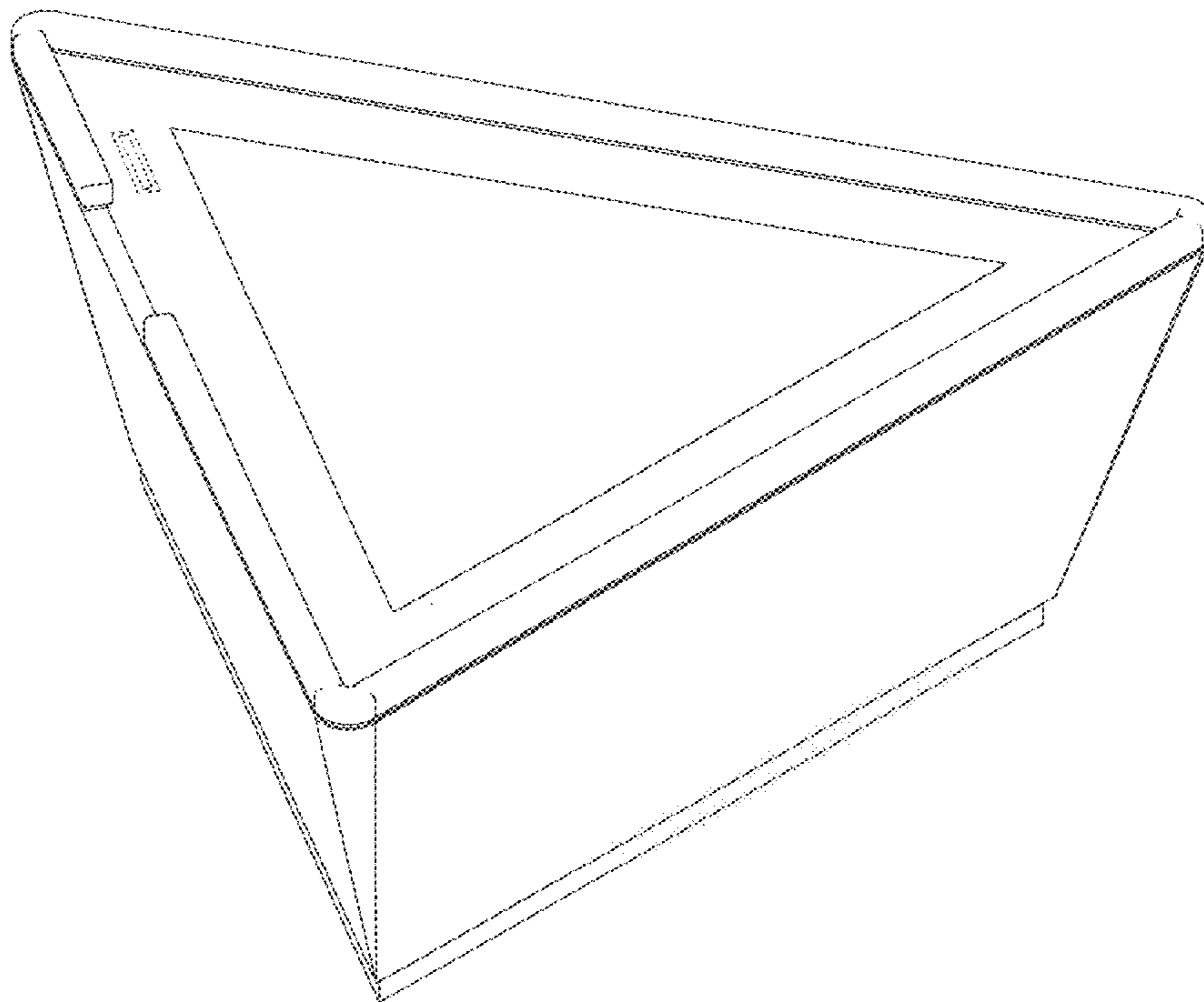


FIG. 1

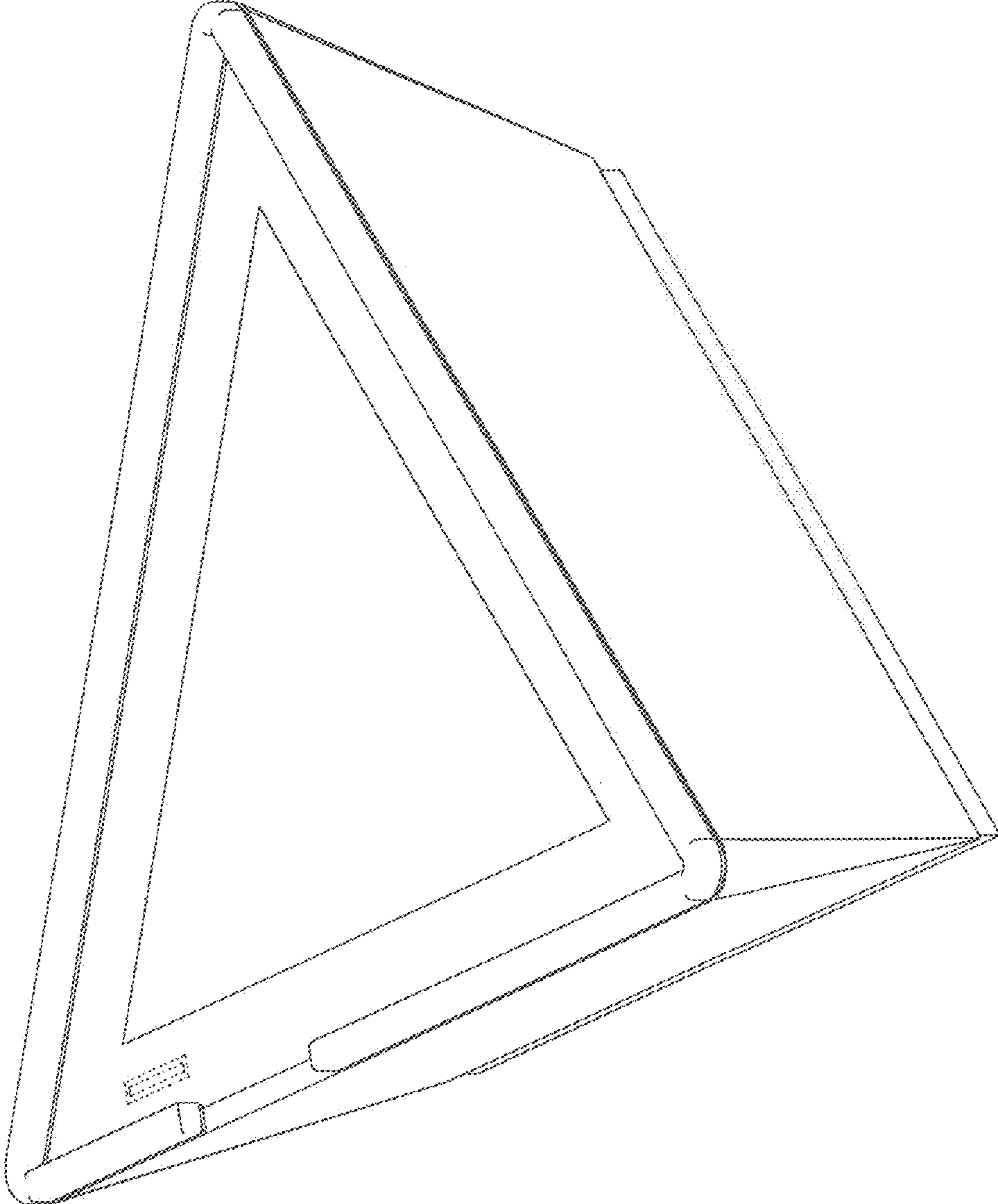


FIG 2

