



US00D709946S

(12) **United States Design Patent**
Sato

(10) **Patent No.:** **US D709,946 S**
(45) **Date of Patent:** **** Jul. 29, 2014**

(54) **PORTION OF A TONER CARTRIDGE**

(75) Inventor: **Tsutomu Sato**, Izunokuni (JP)

(73) Assignee: **Kabushiki Kaisha Toshiba**, Minato-ku, Tokyo (JP)

(**) Term: **14 Years**

(21) Appl. No.: **29/432,213**

(22) Filed: **Sep. 14, 2012**

(30) **Foreign Application Priority Data**

Mar. 16, 2012 (JP) 2012-006006

(51) **LOC (10) Cl.** **16-03**

(52) **U.S. Cl.**
USPC **D18/43**

(58) **Field of Classification Search**
USPC D18/12, 36, 40, 43, 44, 56; D14/471;
347/49, 50, 197, 222; 399/11, 106,
399/119, 120, 230, 258; 222/DIG. 1
See application file for complete search history.

(56) **References Cited**

U.S. PATENT DOCUMENTS

7,248,813	B2 *	7/2007	Burton	399/109
D559,895	S *	1/2008	Sato	D18/43
D559,896	S *	1/2008	Sato	D18/43
D579,971	S *	11/2008	Saito et al.	D18/43
D585,484	S *	1/2009	Tanaka	D18/43
D604,358	S *	11/2009	Kinoshita et al.	D18/43
D617,372	S *	6/2010	Victor	D18/43

D653,283	S *	1/2012	Eto	D18/43
D667,493	S *	9/2012	Kobayashi et al.	D18/56
D679,750	S *	4/2013	Fujii	D18/43

* cited by examiner

Primary Examiner — Thomas Johannes

Assistant Examiner — Chelsea Sealey

(74) *Attorney, Agent, or Firm* — Ohlandt, Greeley, Ruggiero & Perle, L.L.P.

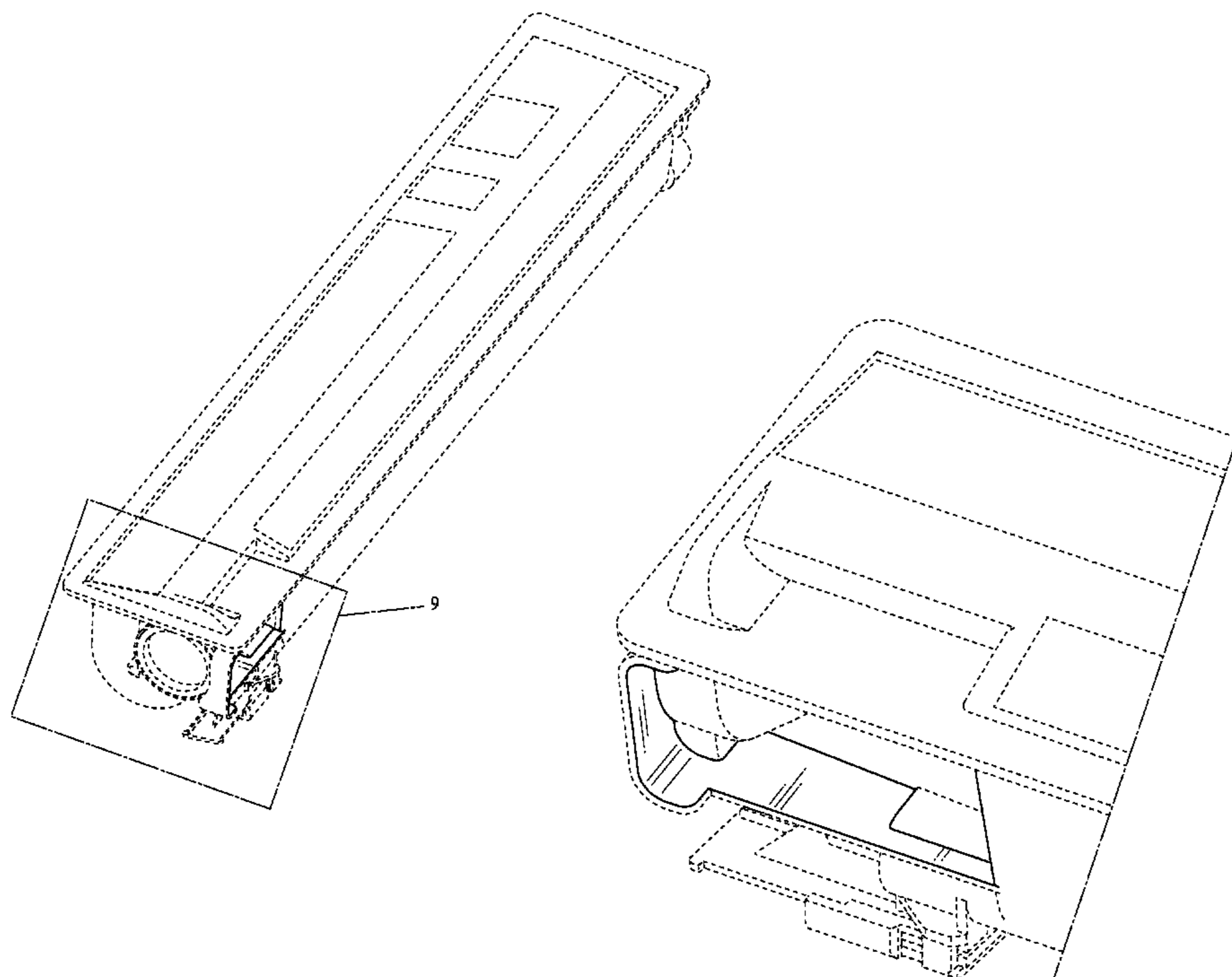
(57) **CLAIM**

The ornamental design for a portion of a toner cartridge, as shown and described.

DESCRIPTION

FIG. 1 is a front, top and left side perspective view of a portion of a toner cartridge, showing my new design;
FIG. 2 is a front, top and right side perspective view;
FIG. 3 is a front elevational view thereof;
FIG. 4 is a rear elevational view thereof;
FIG. 5 is a top plan view thereof;
FIG. 6 is a bottom plan view thereof;
FIG. 7 is a right side elevational view thereof;
FIG. 8 is a left side elevational view thereof;
FIG. 9 is an enlarged top, left and front detail portion thereof;
FIG. 10 is an enlarged top and front, detail portion thereof;
and,
FIG. 11 is an enlarged bottom and front detail portion thereof.
The evenly segmented broken lines indicate portions of the article that form no part of the claimed design. The dot dash broken lines indicate cutoff boundaries for enlarged detailed portion views.

1 Claim, 8 Drawing Sheets



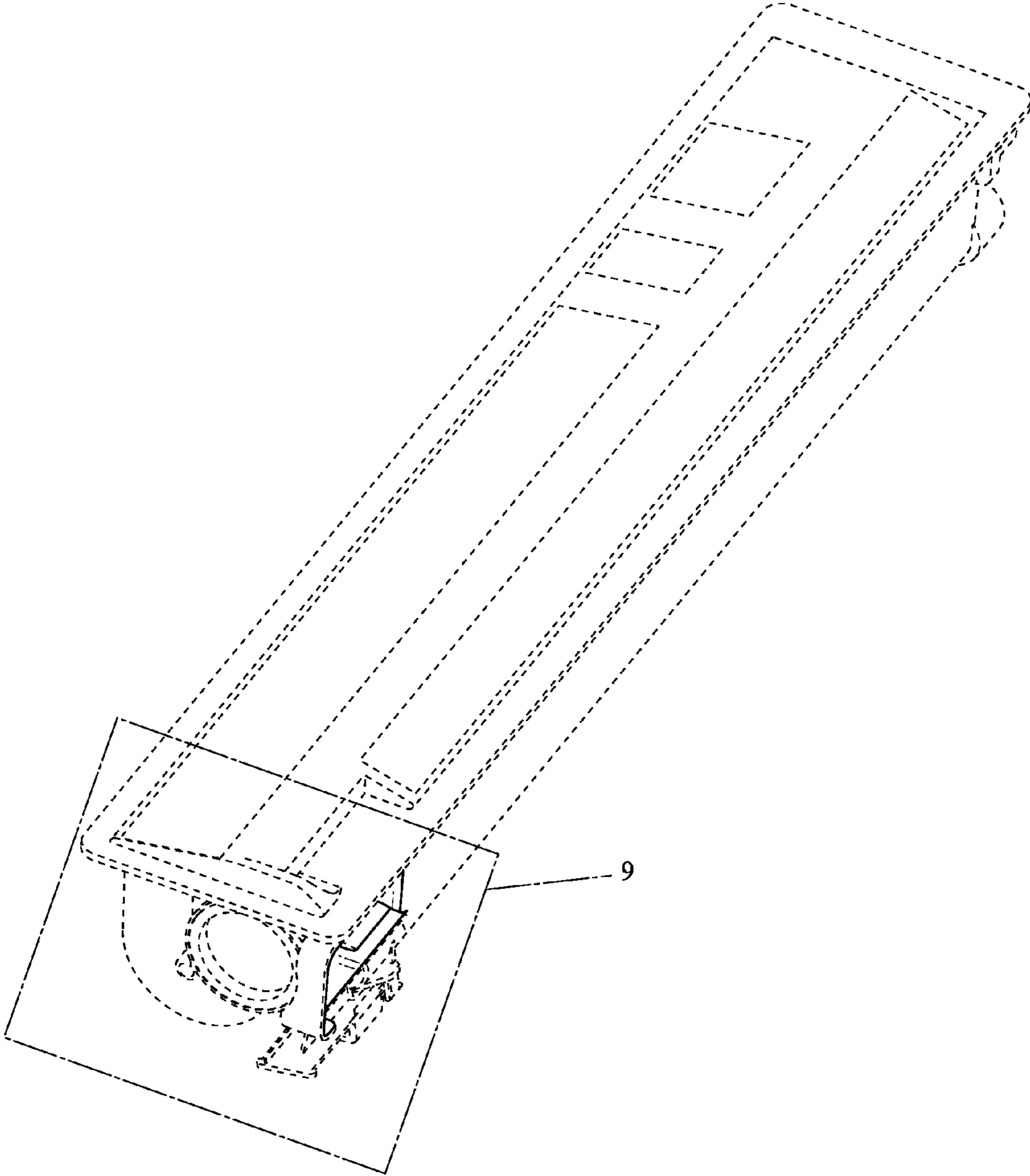


FIG. 1

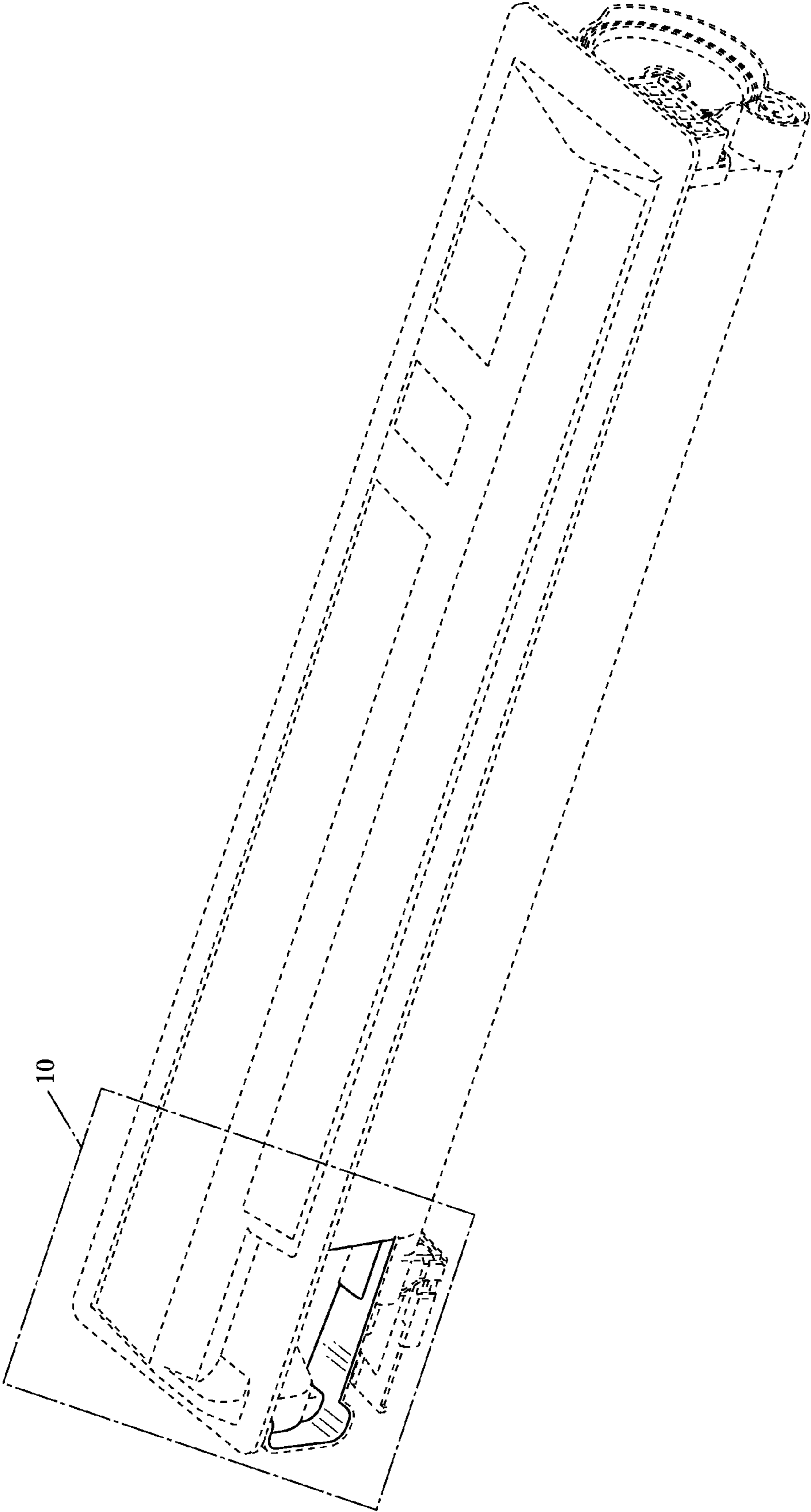


FIG. 2

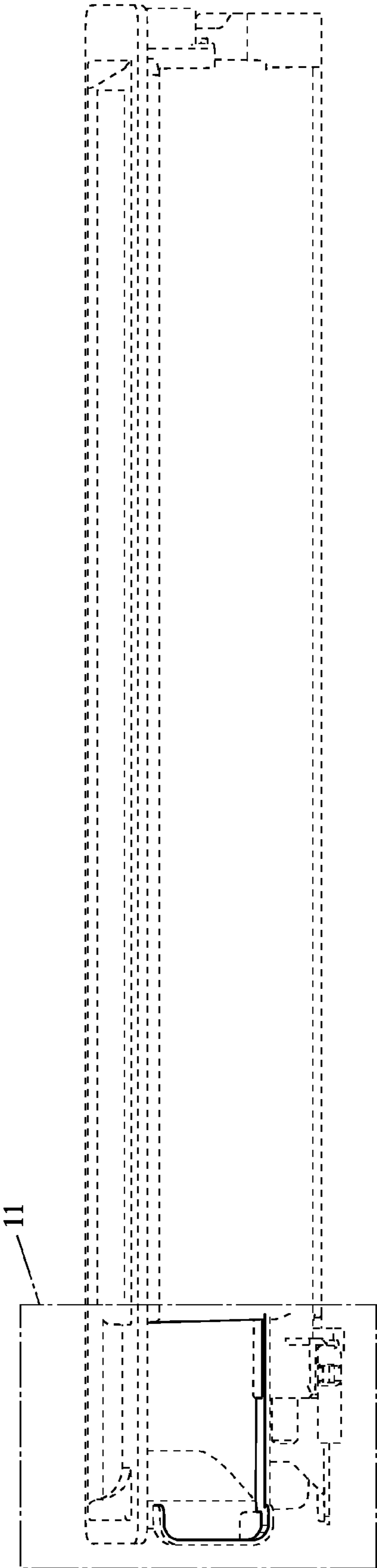


FIG. 3

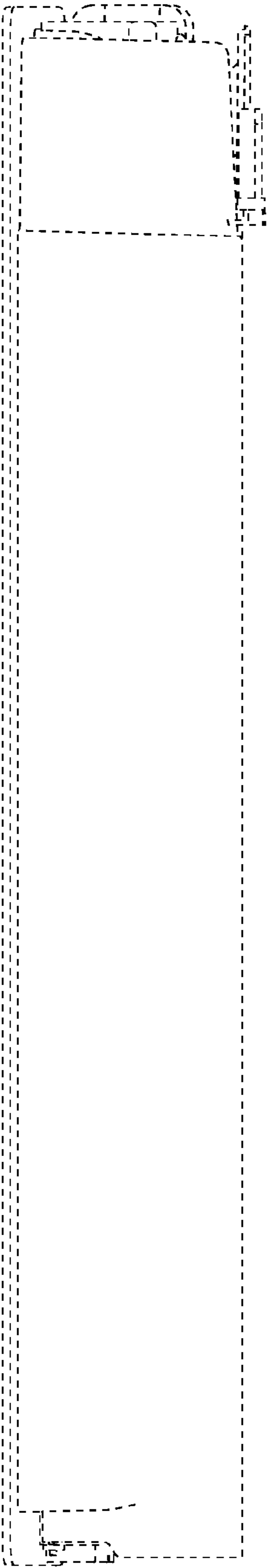


FIG. 4

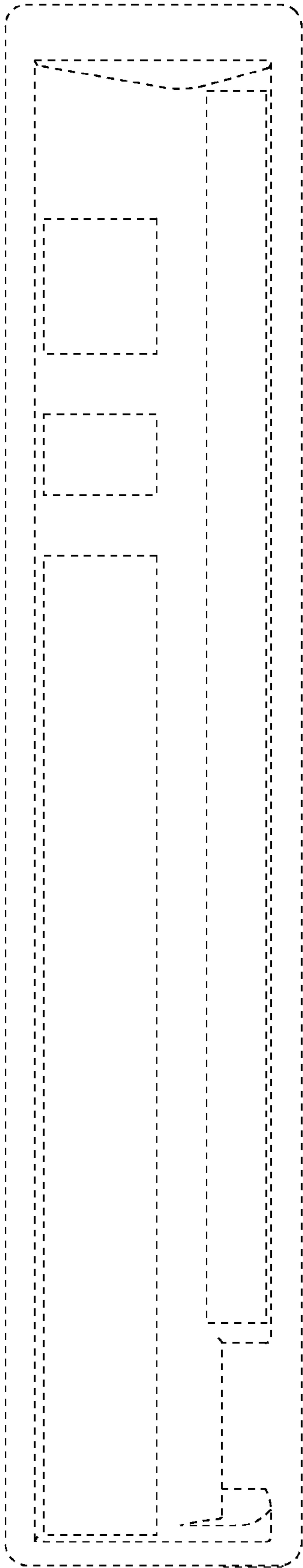


FIG. 5

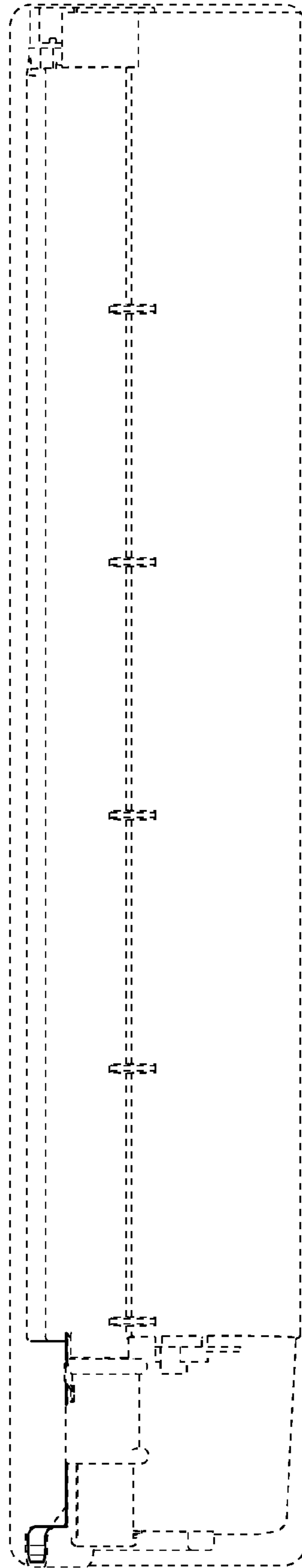


FIG. 6

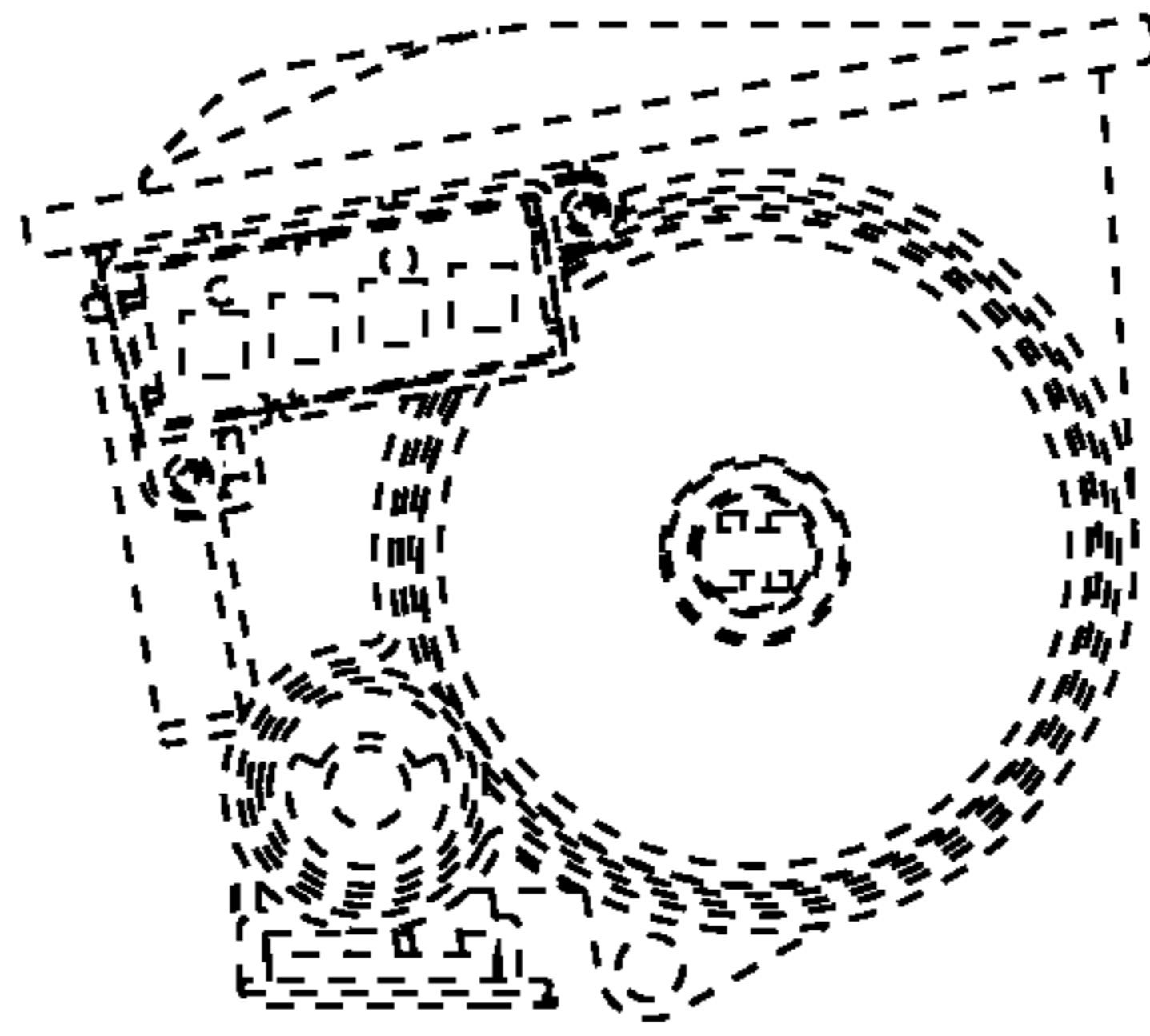


FIG. 7

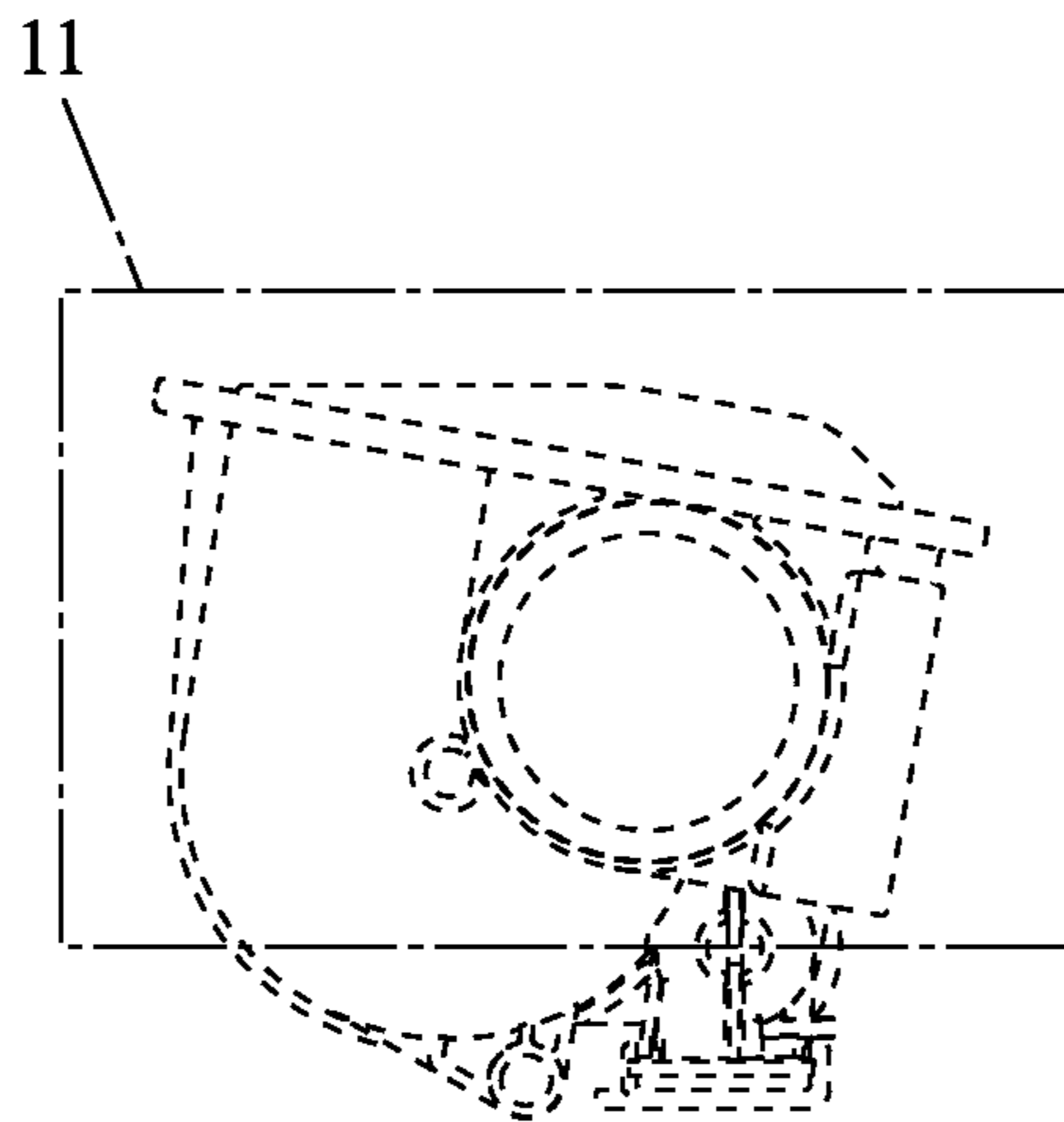


FIG. 8

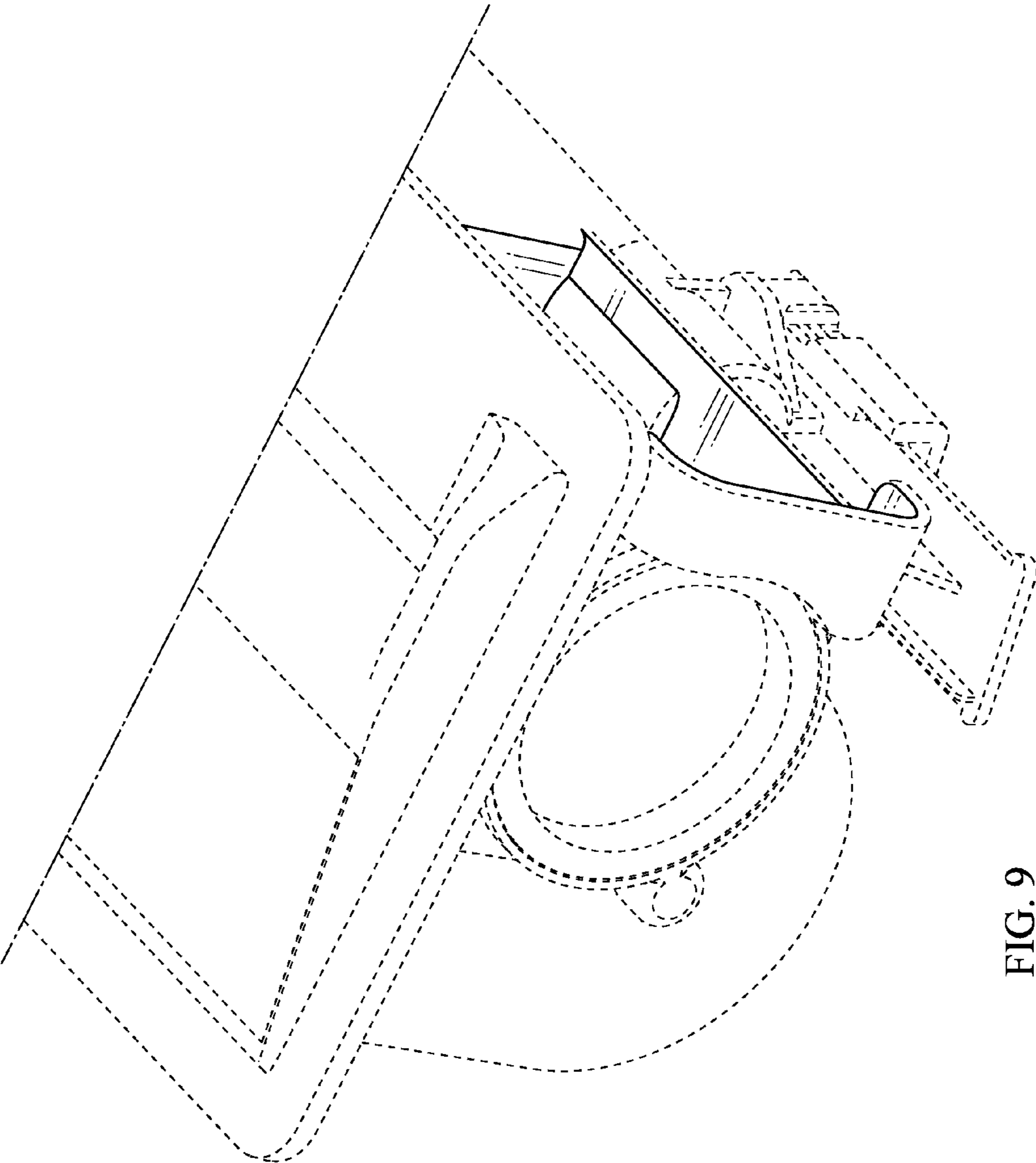


FIG. 9

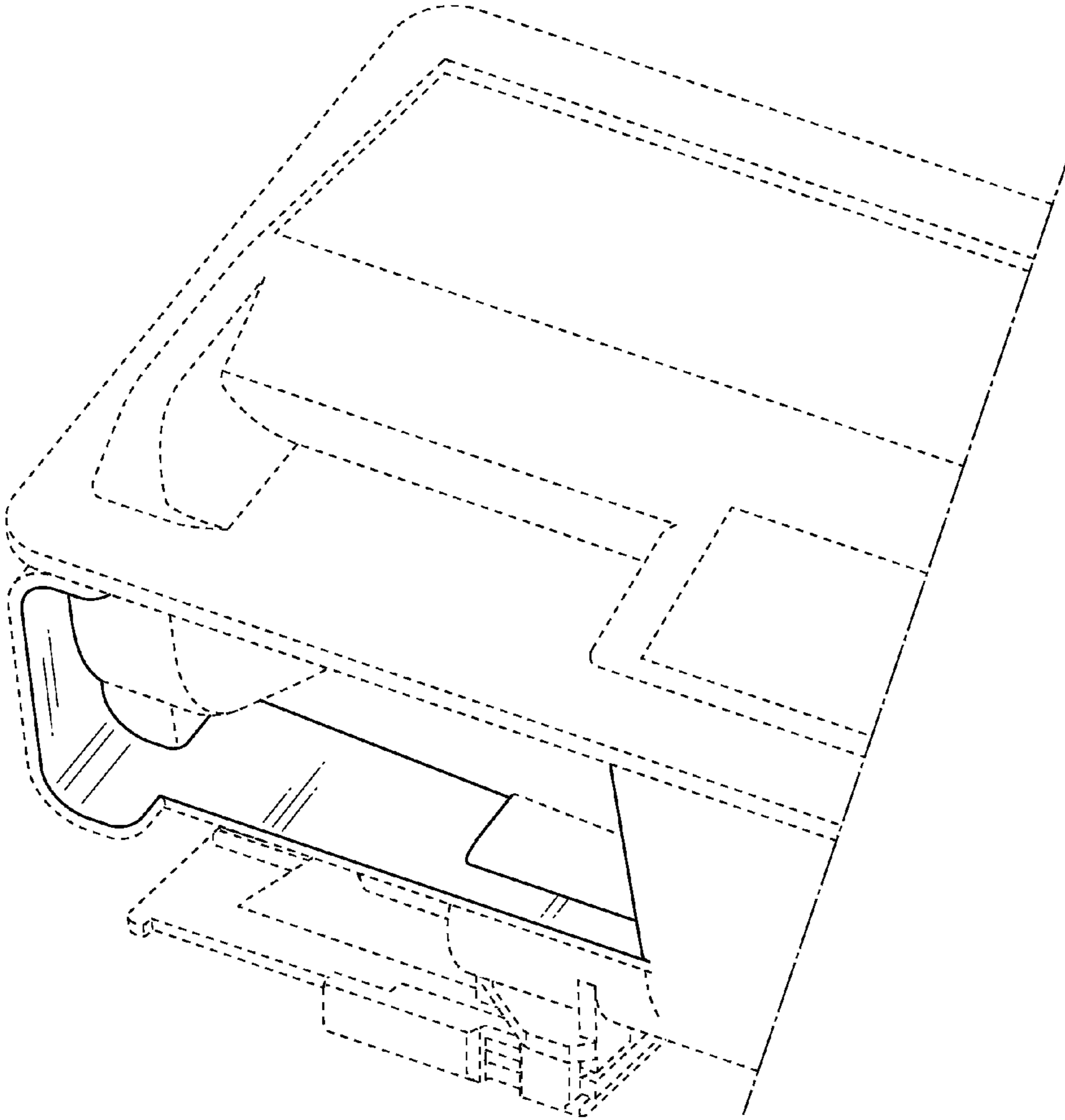


FIG. 10

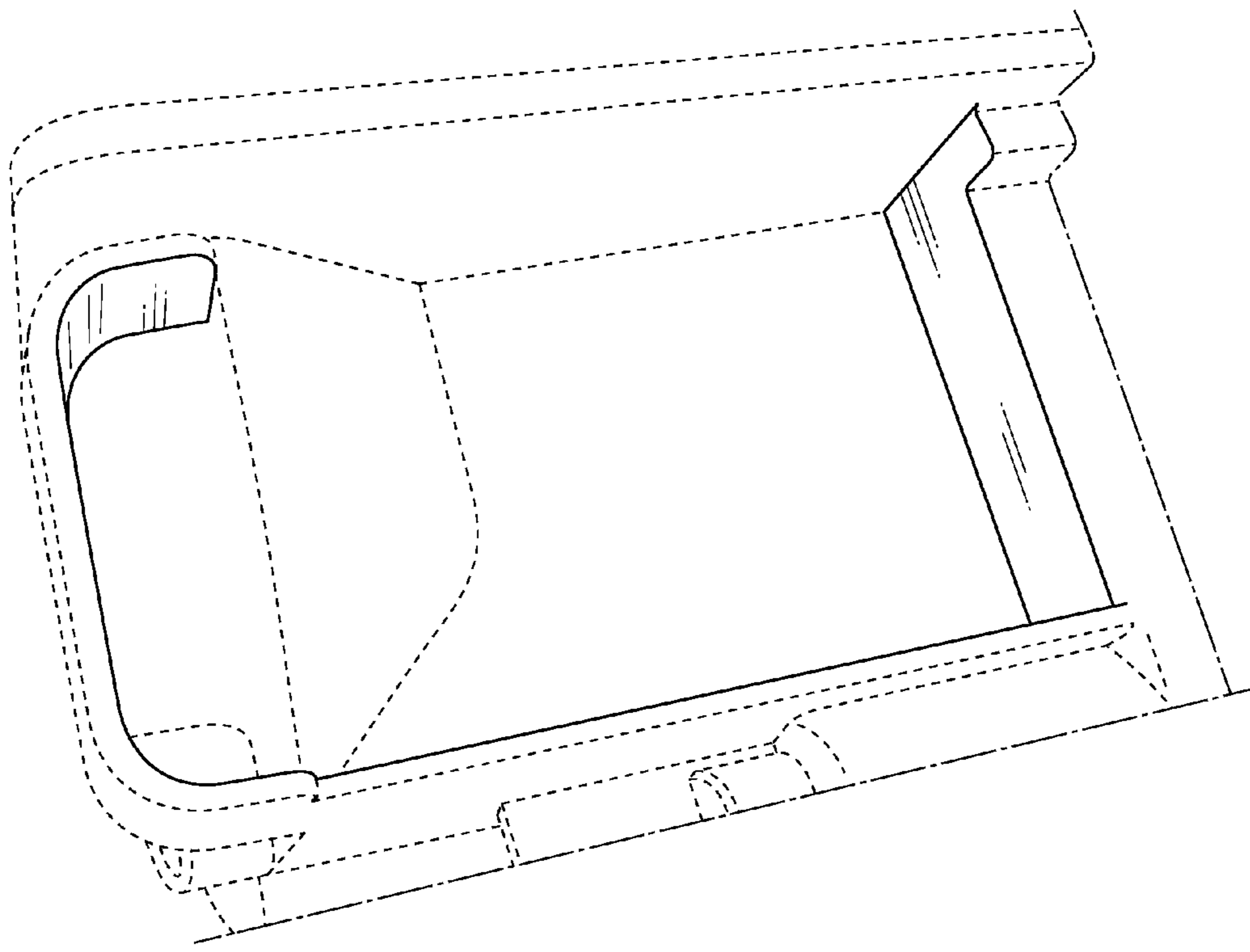


FIG. 11

UNITED STATES PATENT AND TRADEMARK OFFICE
CERTIFICATE OF CORRECTION

PATENT NO. : D709,946 S
APPLICATION NO. : 29/432213
DATED : July 29, 2014
INVENTOR(S) : Tsutomu Sato

Page 1 of 1

It is certified that error appears in the above-identified patent and that said Letters Patent is hereby corrected as shown below:

ON THE TITLE PAGE

Under "Assignee":

Item (73) – please correct: "Kabushiki Kaisha Toshiba" to -- Toshiba Tec Kabushiki Kaisha,
Shinagawa-ku, Tokyo (JP) --.

Signed and Sealed this
First Day of December, 2015



Michelle K. Lee
Director of the United States Patent and Trademark Office