



US00D709945S

(12) **United States Design Patent**
Dolle

(10) **Patent No.:** **US D709,945 S**
(45) **Date of Patent:** **** Jul. 29, 2014**

(54) **PAYMENT TERMINAL**

(71) Applicant: **I.E.R., Suresnes (FR)**

(72) Inventor: **Jacques Dolle, Clamart (FR)**

(73) Assignee: **I.E.R., Suresnes (FR)**

(**) Term: **14 Years**

(21) Appl. No.: **29/452,163**

(22) Filed: **Apr. 12, 2013**

(30) **Foreign Application Priority Data**

Oct. 15, 2012 (EM) 002118778-0001
Oct. 15, 2012 (EM) 002118778-0002

(51) **LOC (10) Cl.** **18-01**

(52) **U.S. Cl.**
USPC **D18/4.6**

(58) **Field of Classification Search**
USPC D14/336, 341, 345, 346, 371-376, 387;
D18/3.1-3.3, 4.1-4.6, 6-8, 11, 12,
D18/12.1-12.3; D21/324, 325, 332;
D99/28, 34-36, 43; 235/1 E, 2, 7 R, 12,
235/22, 33, 51, 52; 705/12, 15-18, 43
See application file for complete search history.

(56) **References Cited**

U.S. PATENT DOCUMENTS

D263,344 S * 3/1982 McCarthy et al. D99/28
D360,738 S * 7/1995 Schwartz et al. D99/28

D362,531 S * 9/1995 Thayer et al. D99/28
D365,188 S * 12/1995 Thayer et al. D99/28
D393,528 S * 4/1998 Johnson D99/28
D395,134 S * 6/1998 Johnson D99/43
D410,129 S * 5/1999 Molander et al. D99/28
D489,065 S * 4/2004 Chen D14/371
D493,786 S * 8/2004 Chen D14/336
D500,036 S * 12/2004 Chang et al. D14/371
D565,119 S * 3/2008 Proud et al. D21/324
D581,625 S * 11/2008 De Andrade D99/28
D586,579 S * 2/2009 Hunayama et al. D18/4.6

* cited by examiner

Primary Examiner — Elizabeth Albert

(74) *Attorney, Agent, or Firm* — Young & Thompson

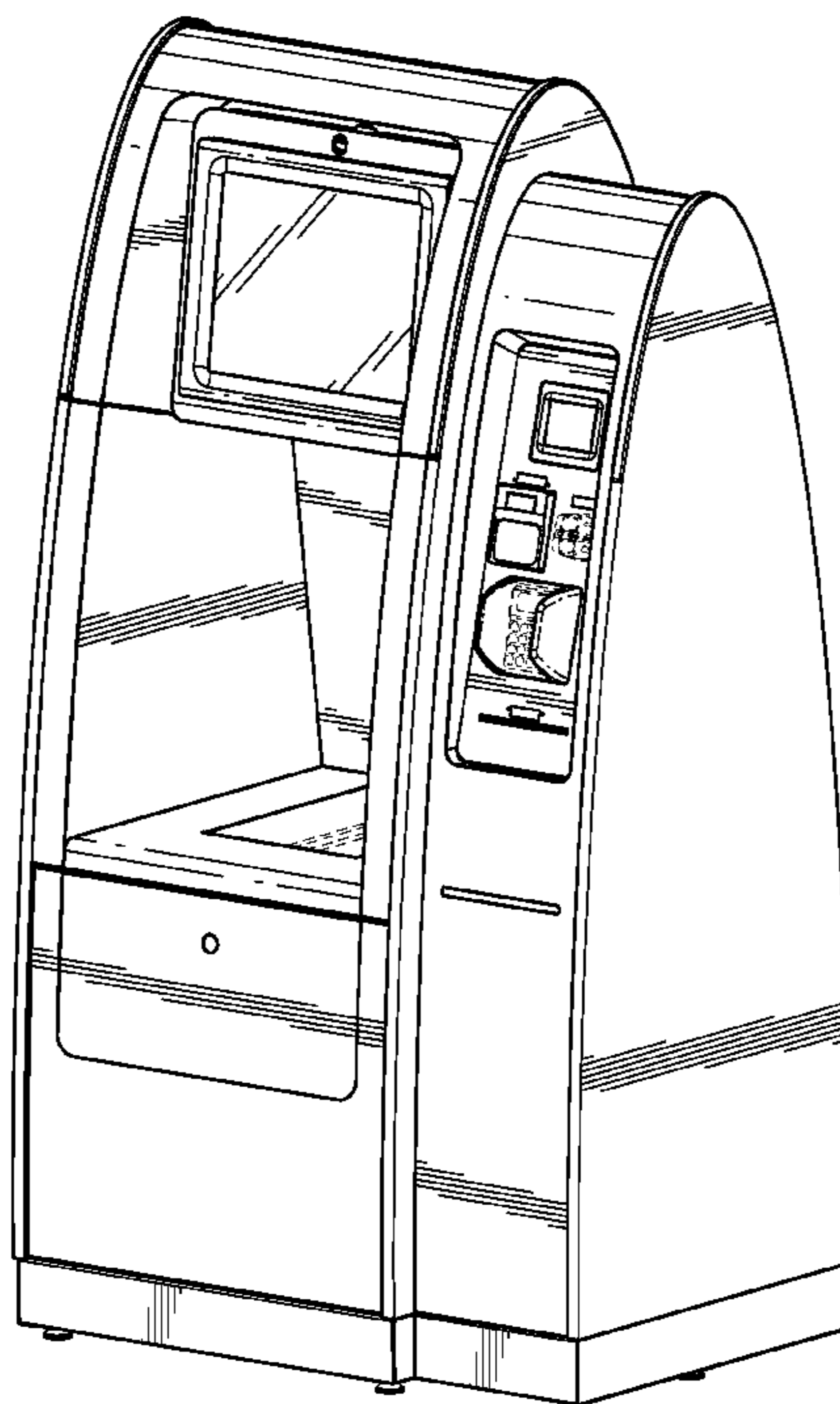
(57) **CLAIM**

The ornamental design for a payment terminal, as shown and described.

DESCRIPTION

FIG. 1 is a front, left side, and top perspective view of a payment terminal showing the new design;
FIG. 2 is rear, right side, and top perspective view thereof;
FIG. 3 is a front elevation view of the first shown embodiment;
FIG. 4 is a rear elevation view thereof;
FIG. 5 is a left side elevation view thereof;
FIG. 6 is a right side elevation view thereof;
FIG. 7 is a top plan view thereof; and,
FIG. 8 is a bottom plan view thereof.
The broken lines in the drawings are included to show portions that form no part of the claimed design.

1 Claim, 7 Drawing Sheets



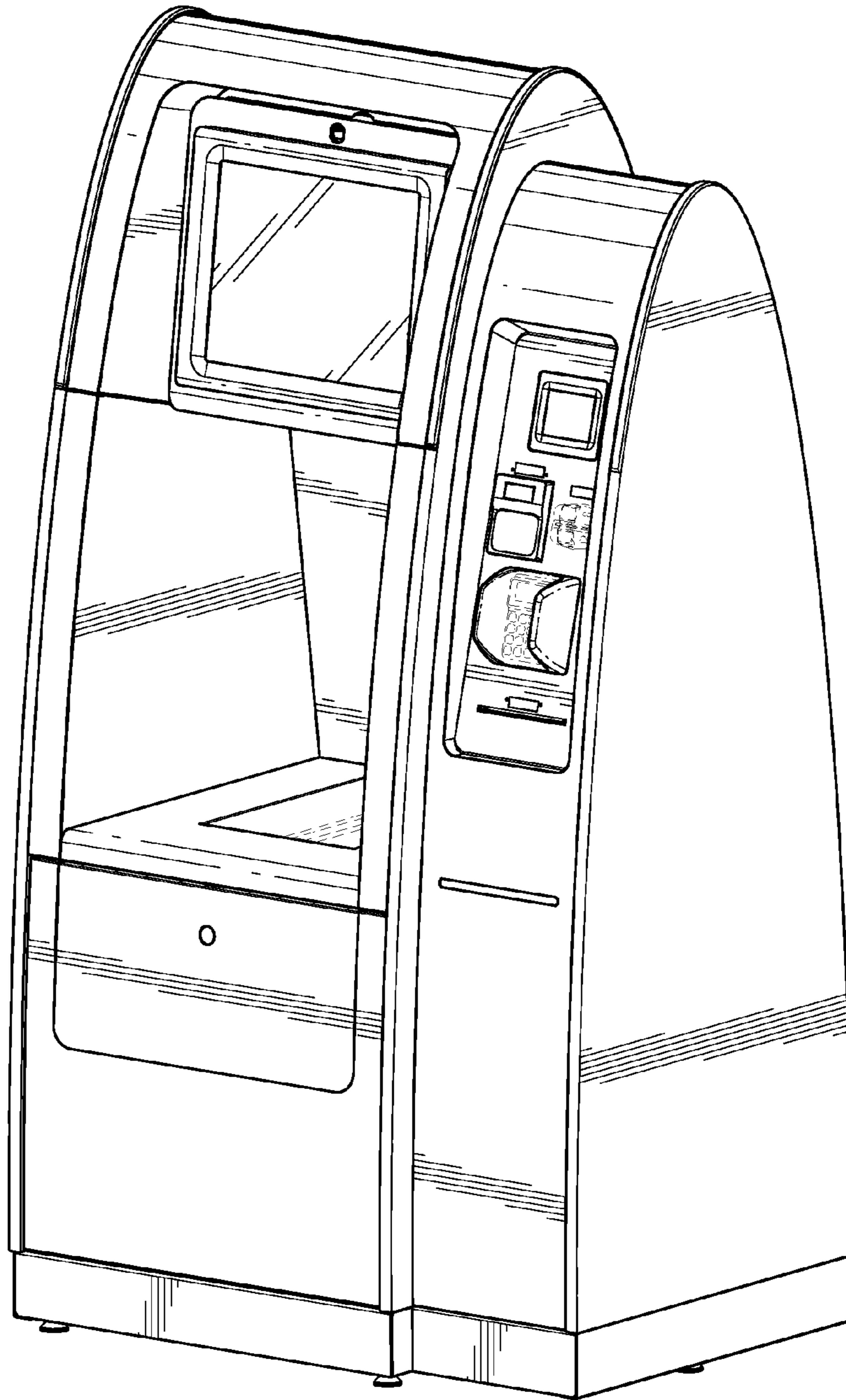


FIG. 1

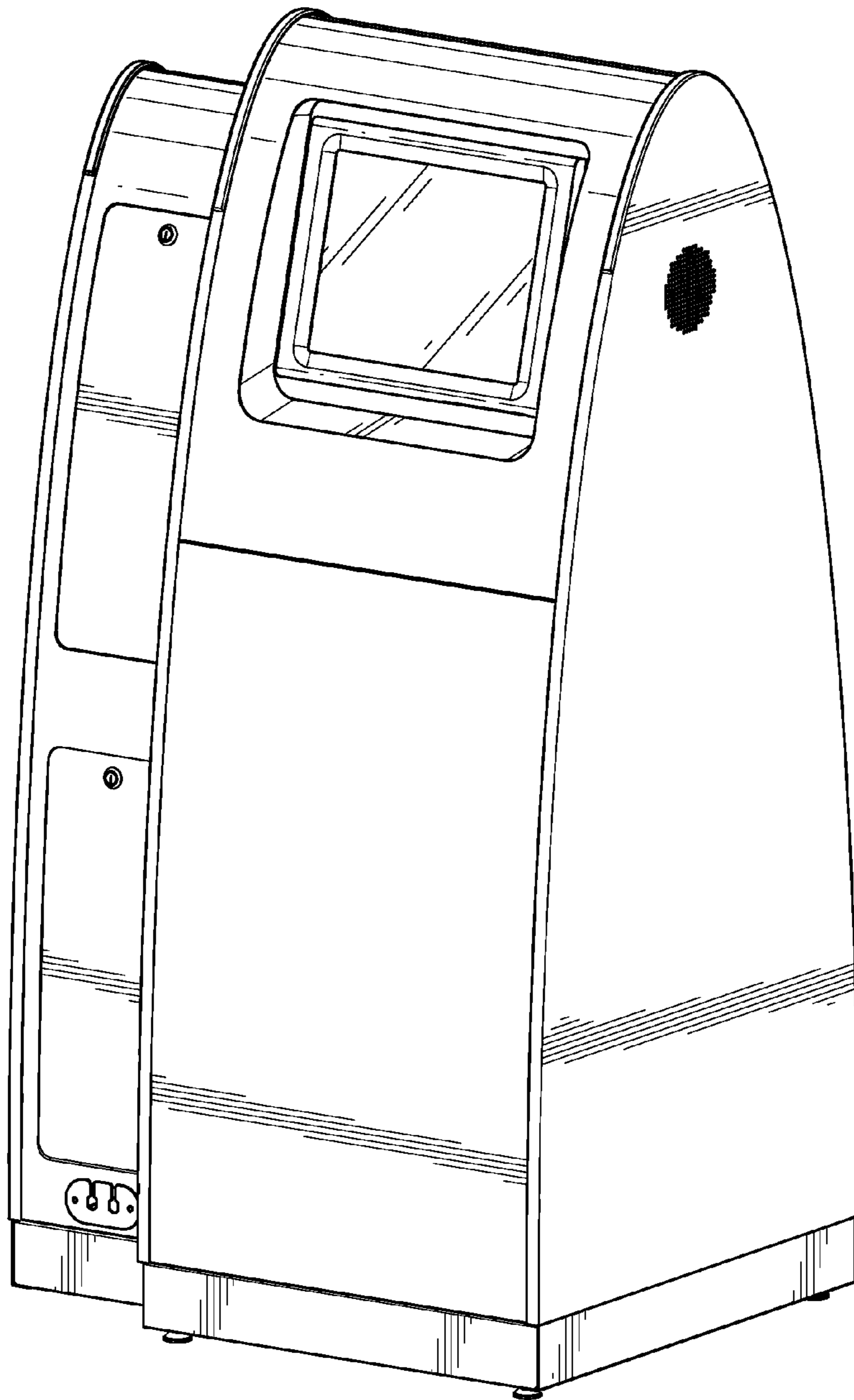


FIG. 2

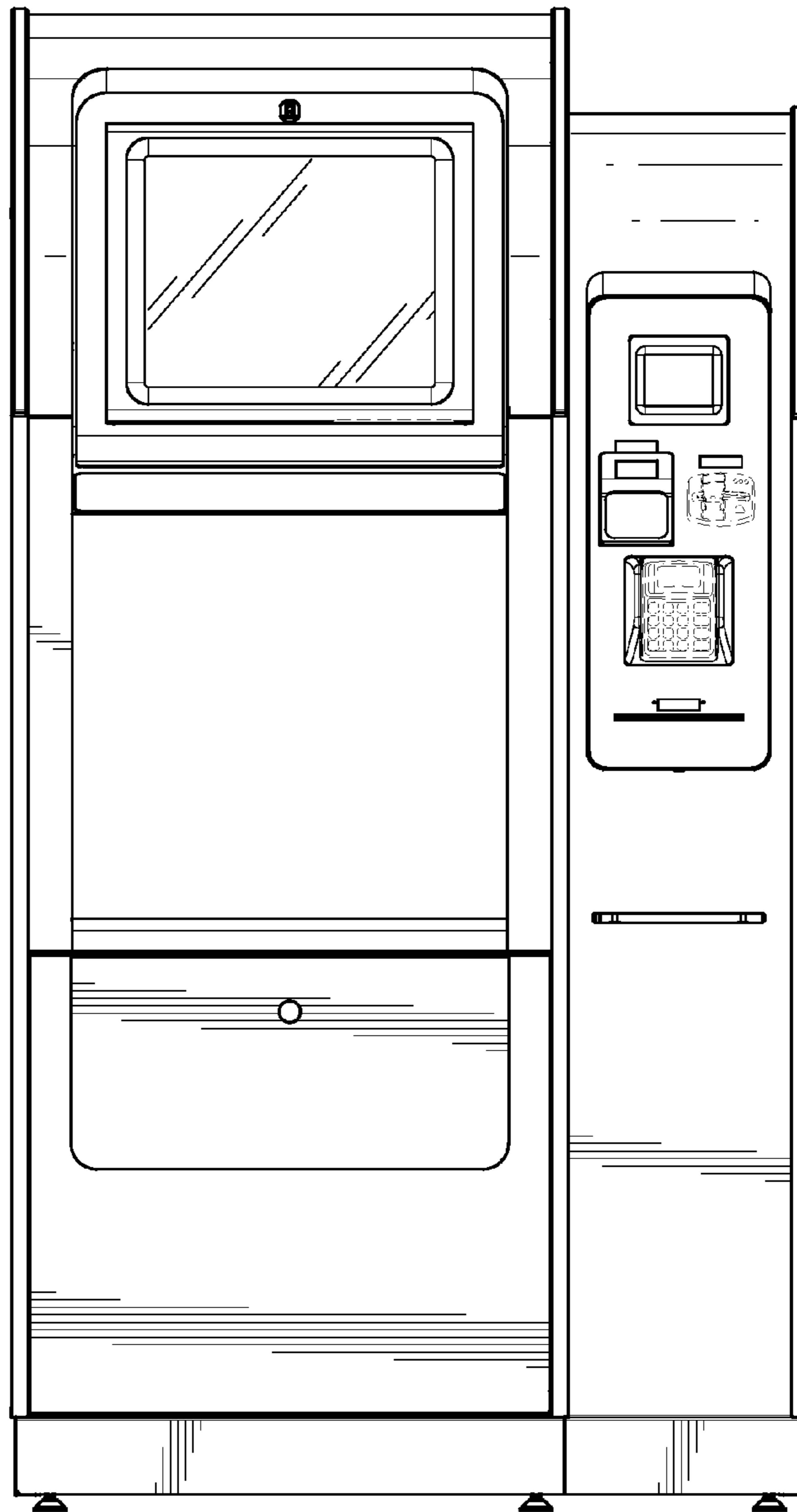


FIG. 3

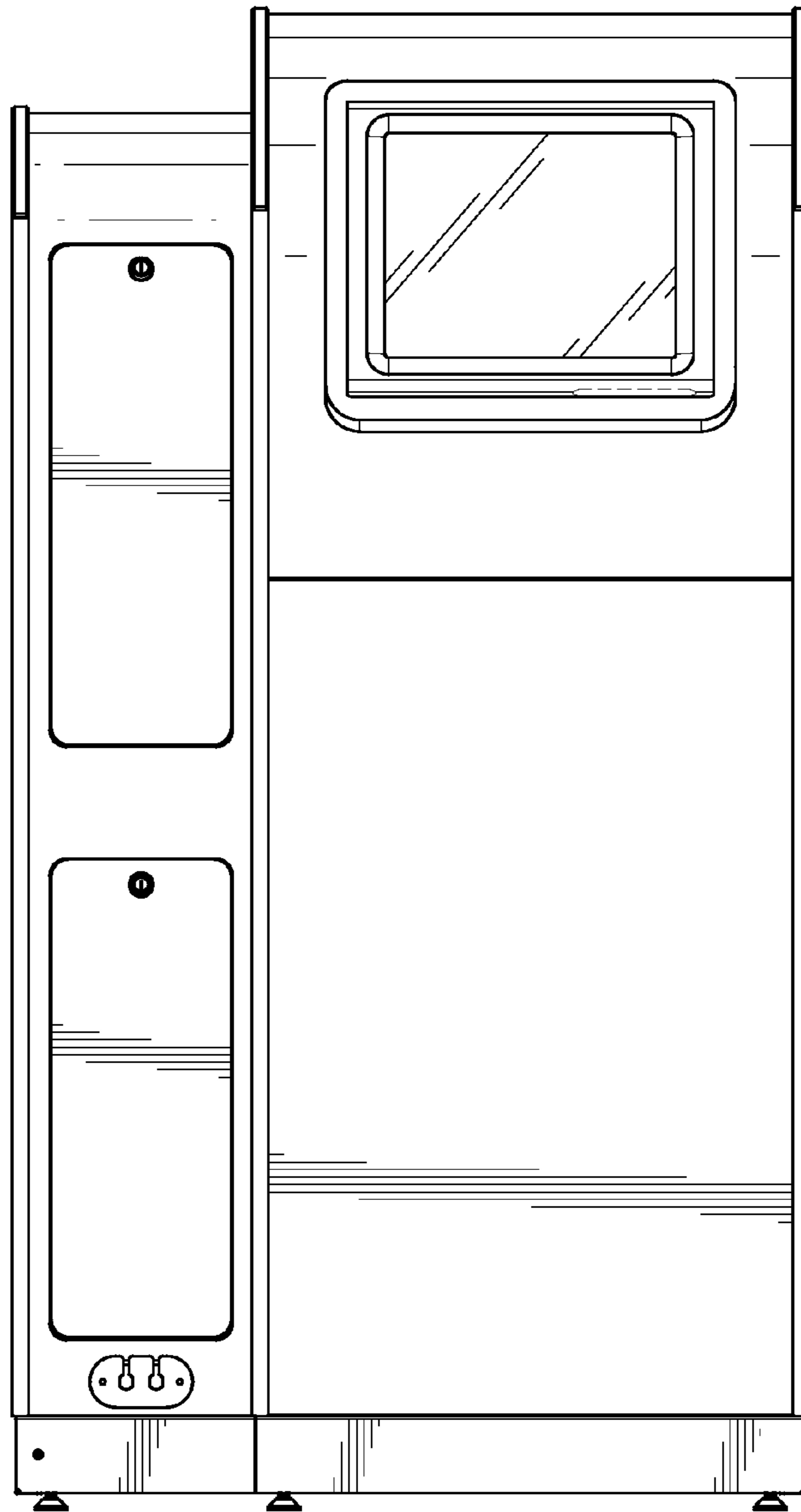


FIG. 4

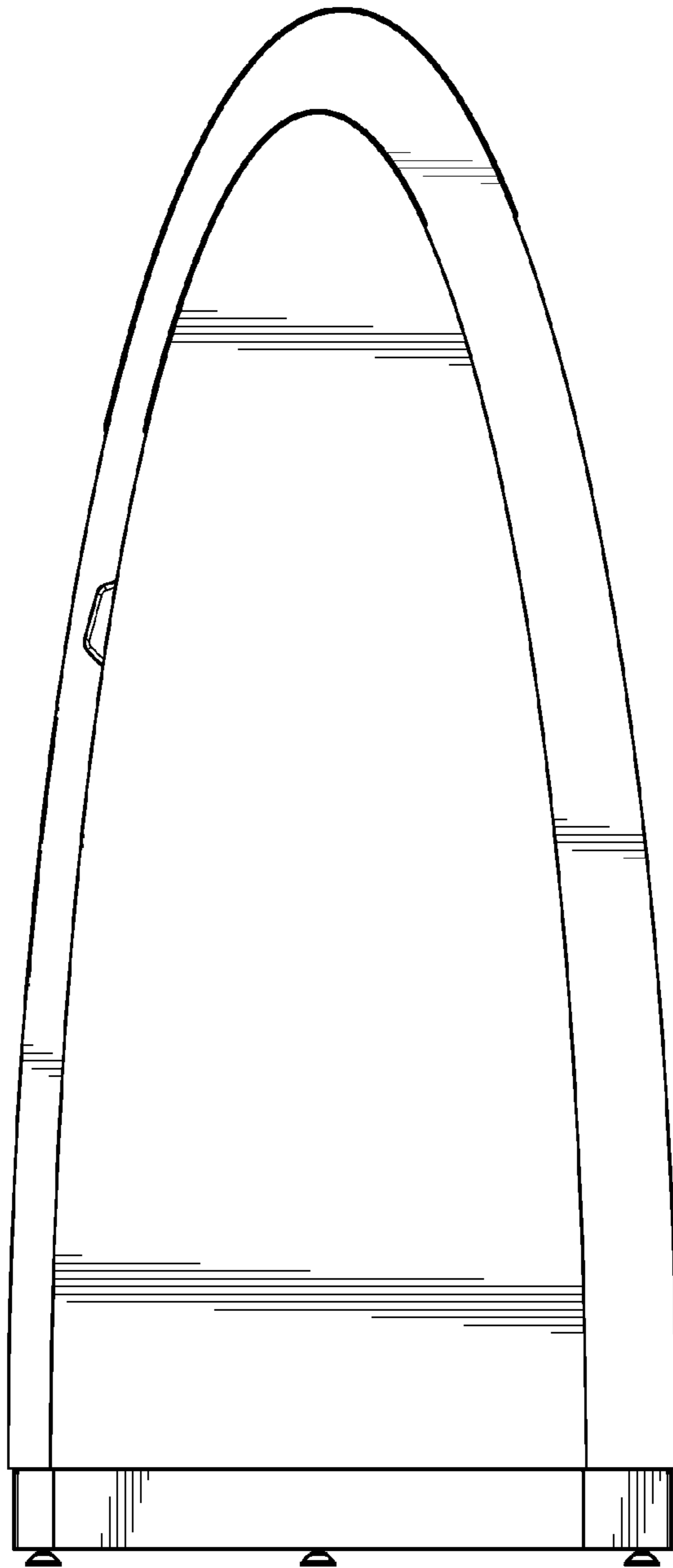


FIG. 5

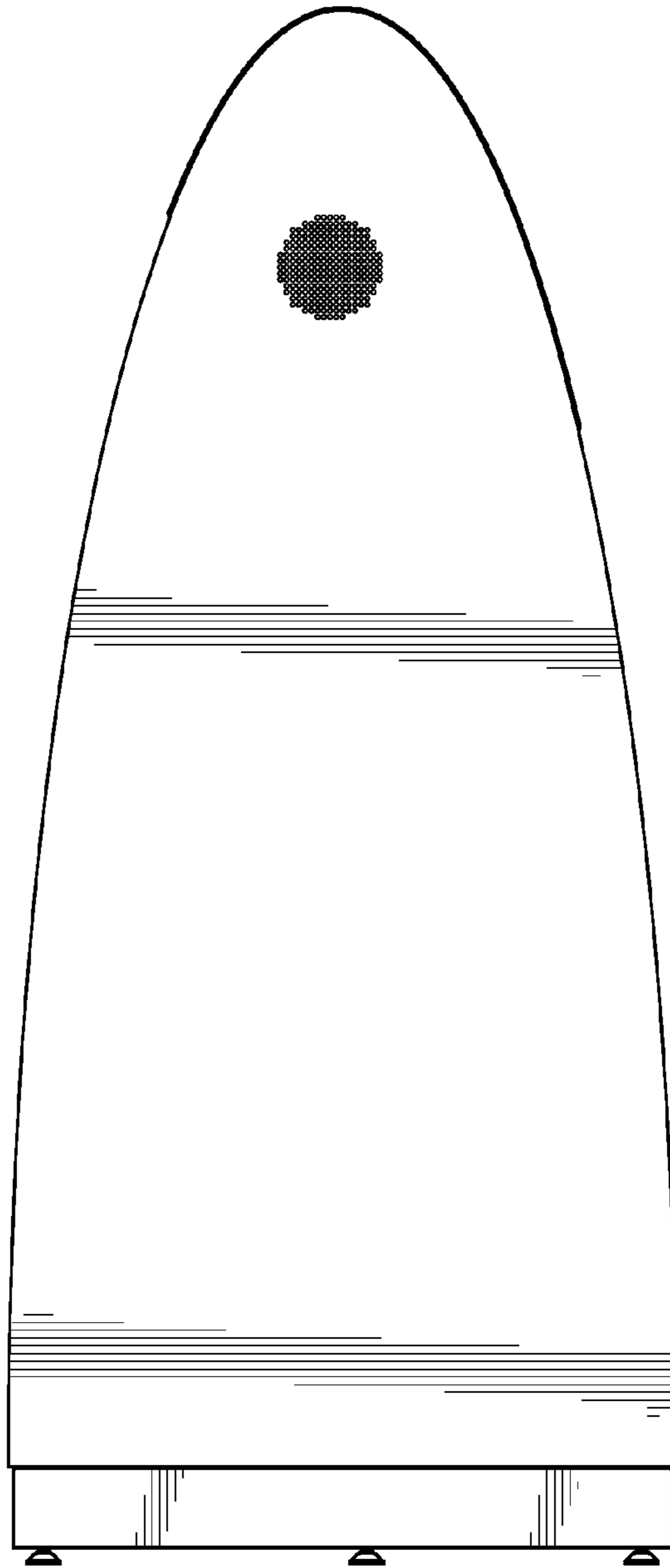


FIG. 6

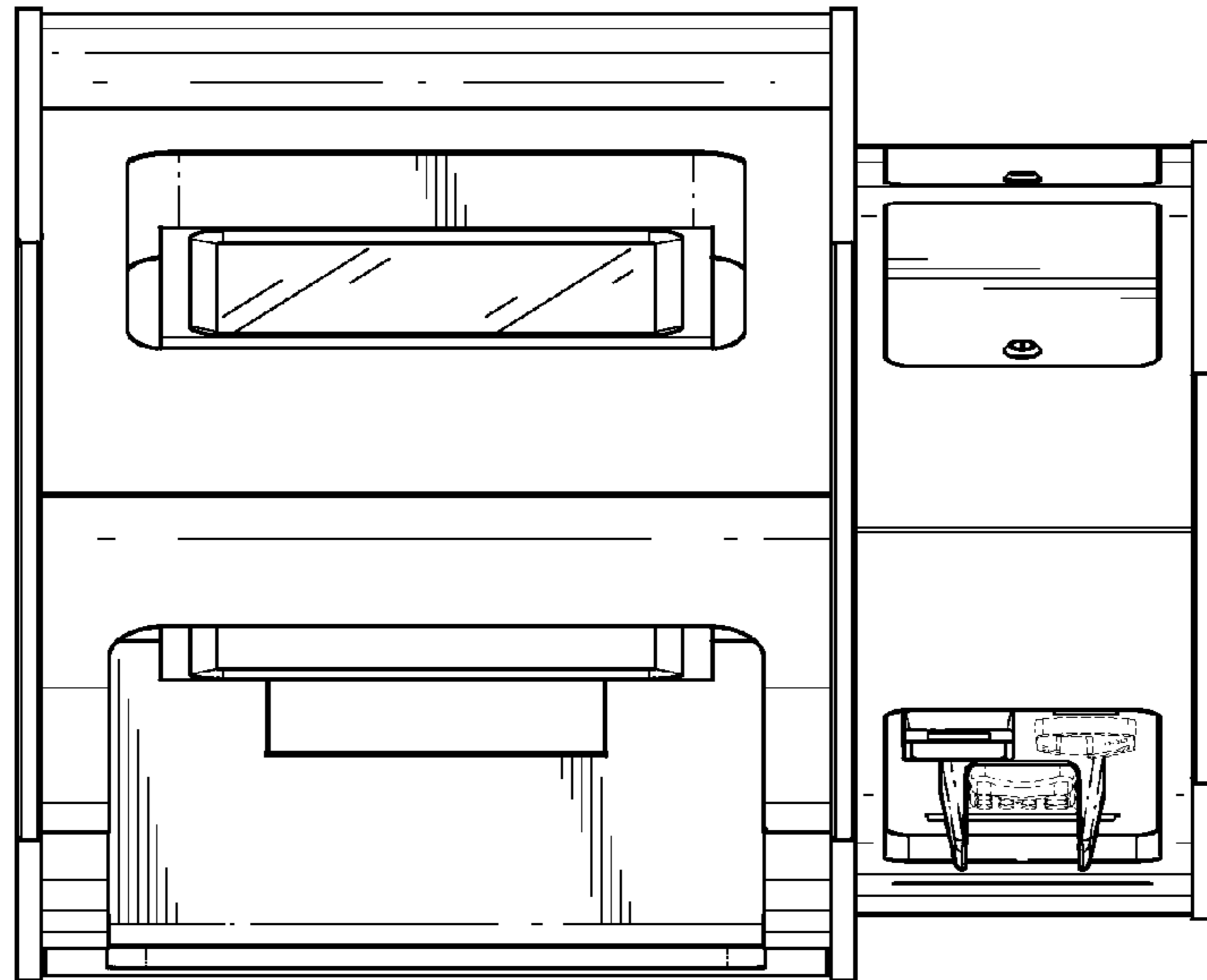


FIG. 7

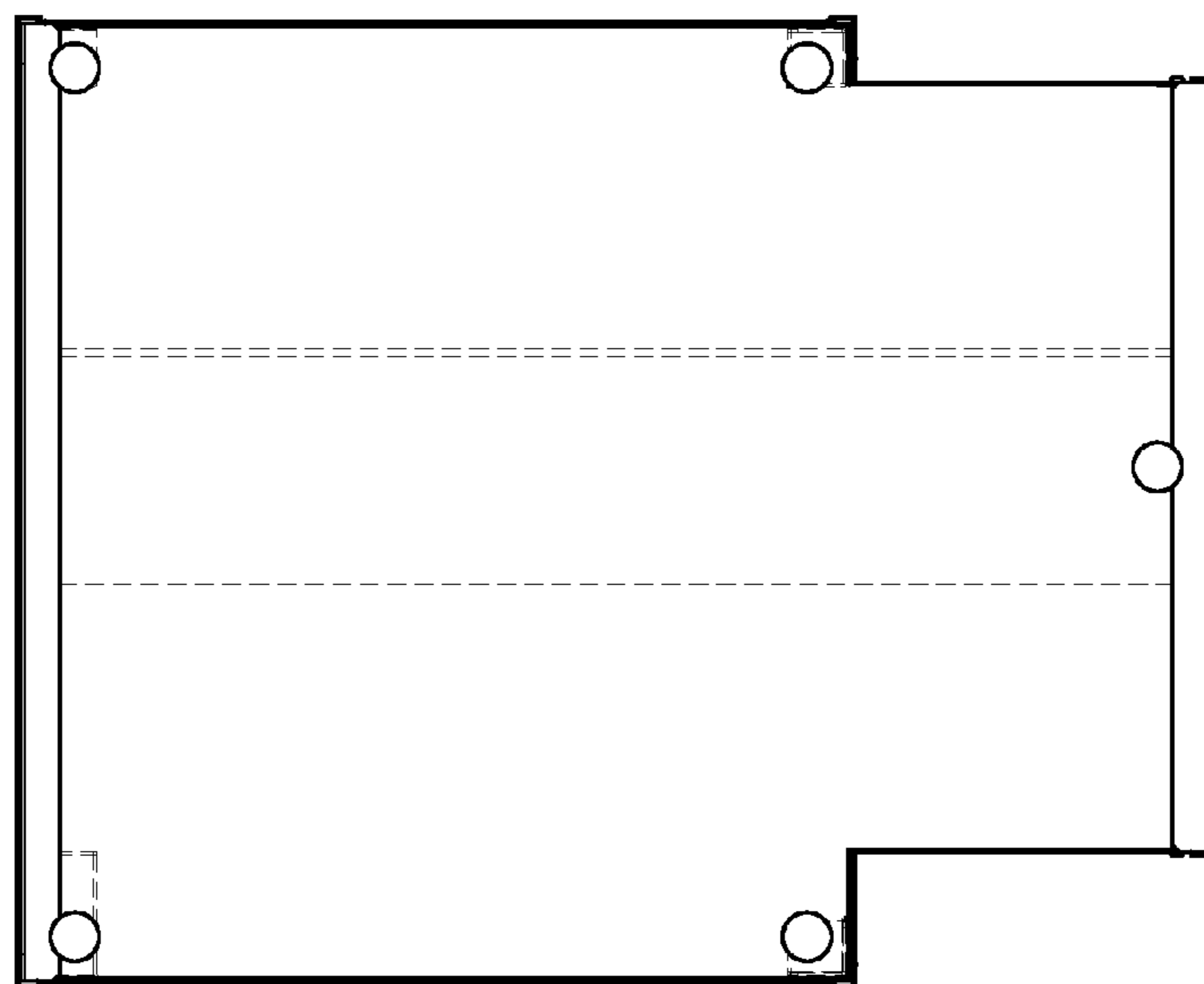


FIG. 8