



US00D709942S

(12) **United States Design Patent**
Wojtkowski

(10) **Patent No.:** **US D709,942 S**
(45) **Date of Patent:** **** Jul. 29, 2014**

- (54) **EXOTIC SKIN EYE GLASSES**
- (71) Applicant: **David Wojtkowski**, Glendale, WI (US)
- (72) Inventor: **David Wojtkowski**, Glendale, WI (US)
- (73) Assignee: **David Wojtkowski**, Milwaukee, WI (US)
- (**) Term: **14 Years**
- (21) Appl. No.: **29/436,031**
- (22) Filed: **Oct. 31, 2012**
- (51) **LOC (10) Cl.** **16-06**
- (52) **U.S. Cl.**
USPC **D16/323; D16/335**
- (58) **Field of Classification Search**
CPC G02C 11/02; G02C 11/04
USPC D16/101, 300-342, 900; D29/109-110;
351/41, 44, 51-52, 62, 158, 92,
351/103-123, 140-153, 63, 59, 45-46;
2/426-432, 447-449, 441, 434-437,
2/13, 15; D21/483, 659-661; D14/372
See application file for complete search history.

(56) **References Cited**

U.S. PATENT DOCUMENTS

D157,021 S *	1/1950	Anderson et. al.	D16/324
D157,074 S *	1/1950	Myers	D16/324
D290,848 S *	7/1987	Haas	D16/324
D294,950 S *	3/1988	Shelton et al.	D16/324

D308,065 S *	5/1990	Haas	D16/324
D514,615 S *	2/2006	Mangum	D16/326
D536,028 S *	1/2007	Paulson	D16/326
D545,871 S *	7/2007	Yee	D16/323
D583,852 S *	12/2008	Chen	D16/315
D586,378 S *	2/2009	Yee	D16/313
D594,501 S *	6/2009	Yee	D16/326
7,677,721 B2 *	3/2010	Siu	351/52
D621,868 S *	8/2010	Gonzalez	D16/335
D646,317 S *	10/2011	Serlenga	D16/315
8,167,426 B2 *	5/2012	Lampru	351/52
D667,866 S *	9/2012	Lombardi et al.	D16/326
D677,316 S *	3/2013	Markovitz et al.	D16/326

* cited by examiner

Primary Examiner — Raphael Barkai

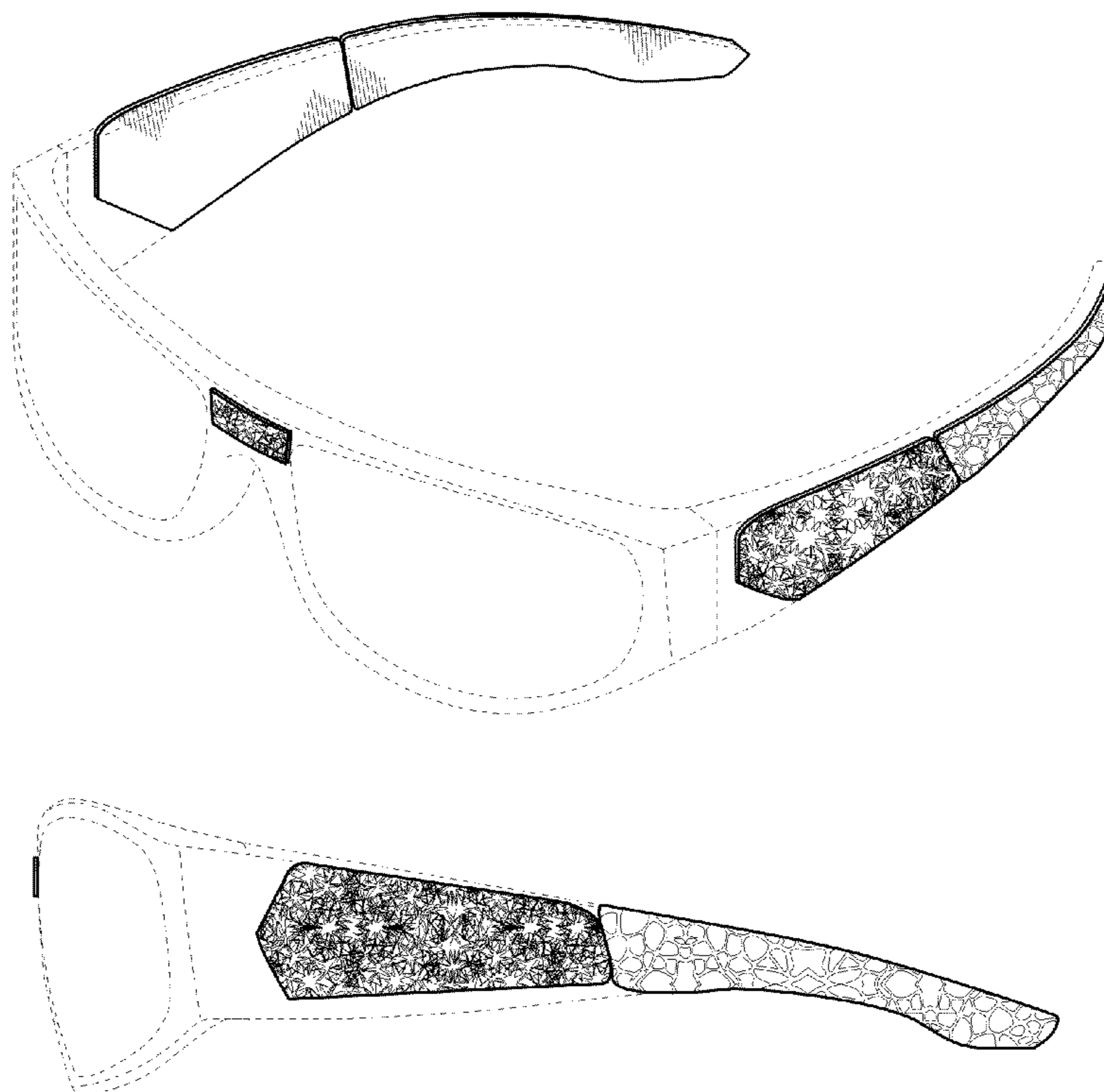
(57) **CLAIM**

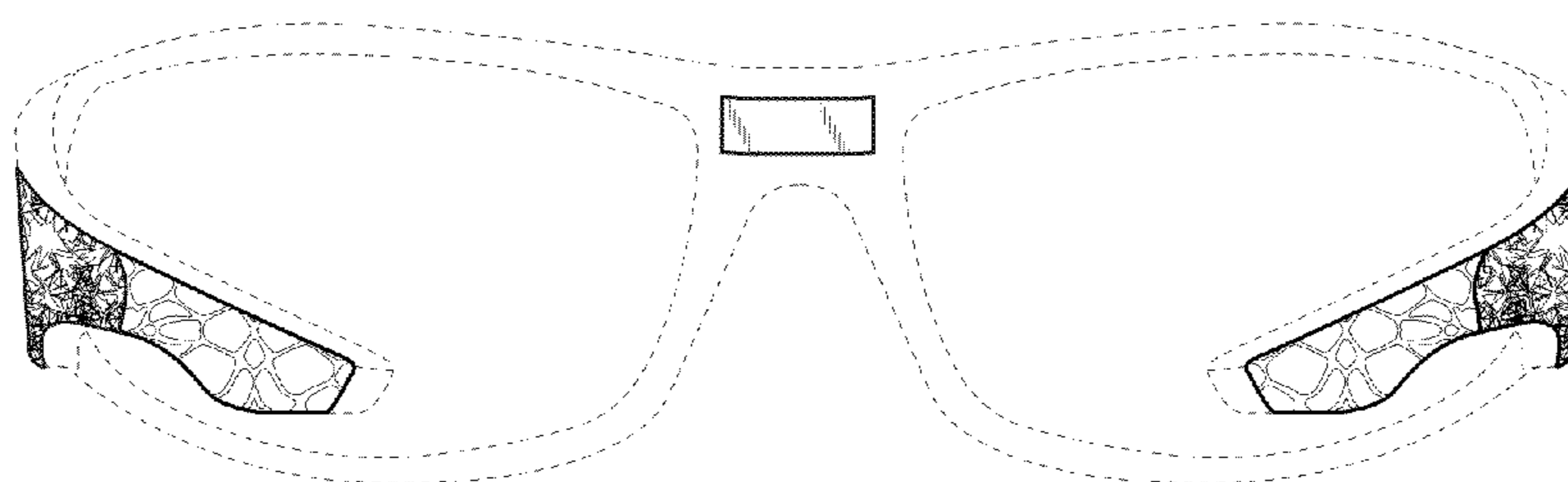
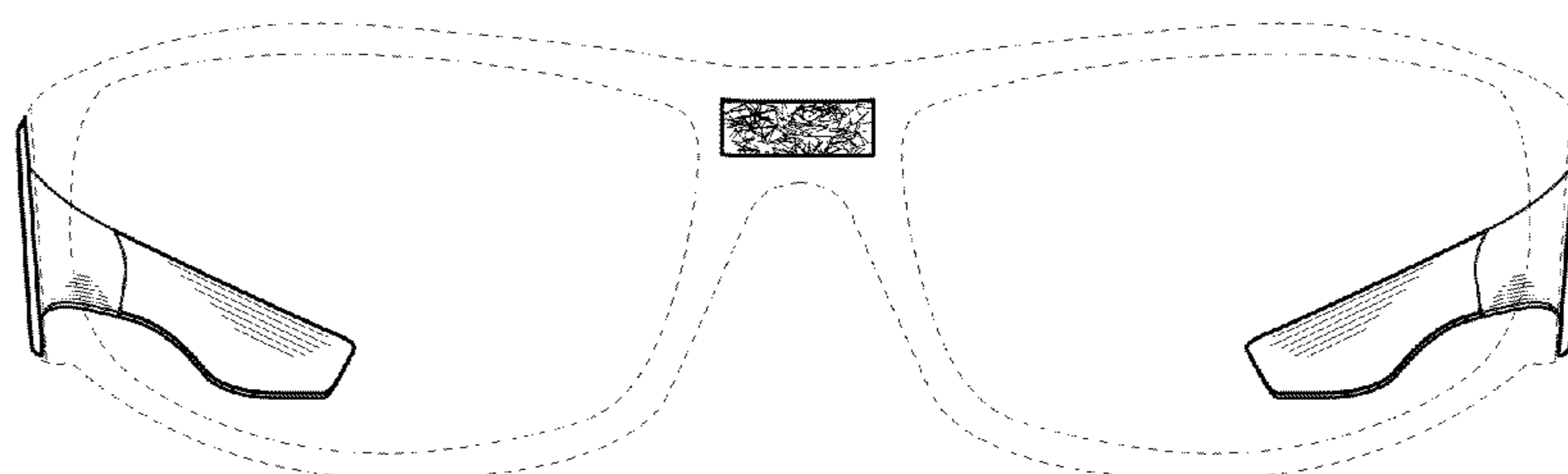
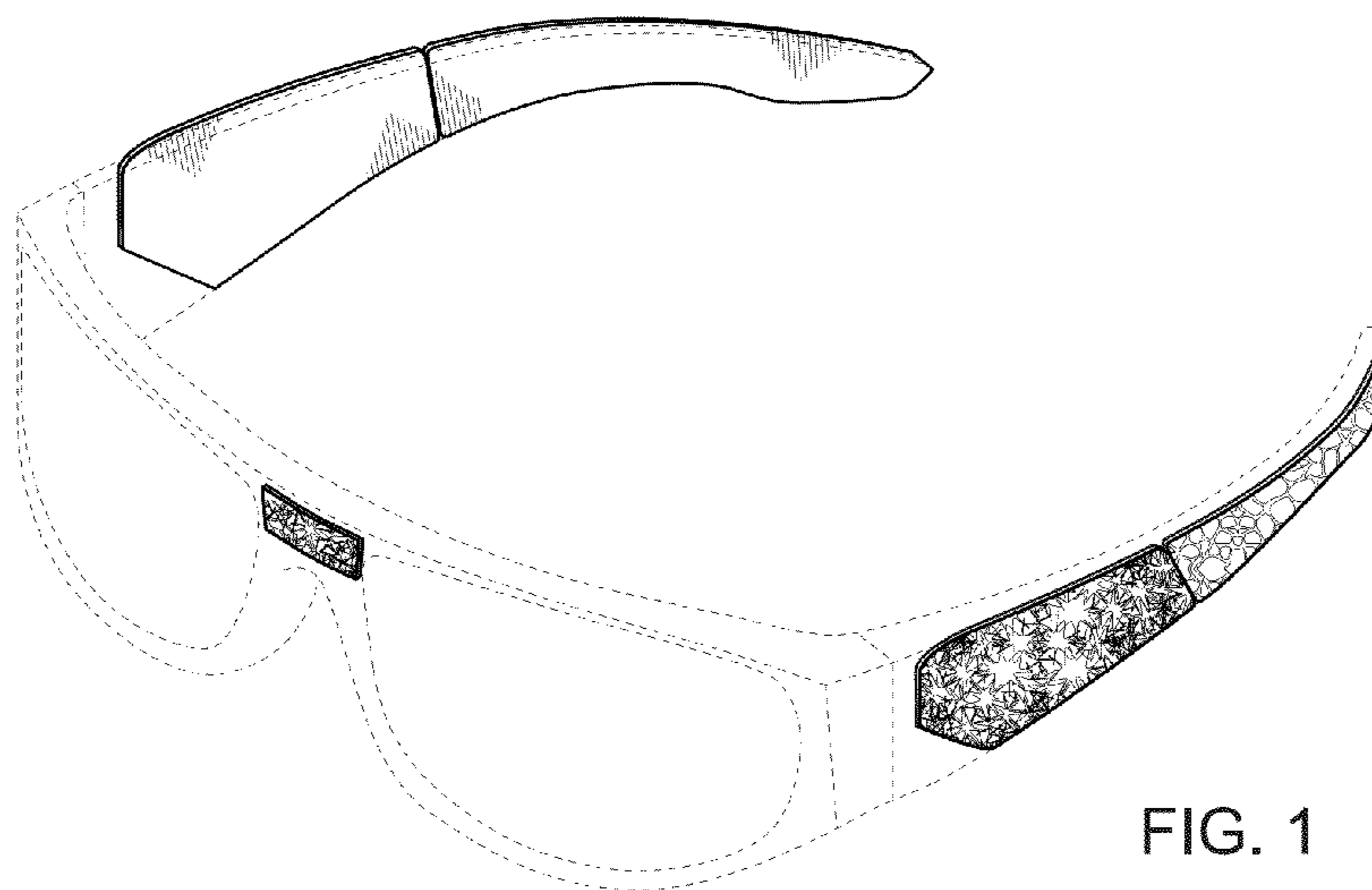
I claim the ornamental design for an exotic skin eye glasses, as shown and described.

DESCRIPTION

FIG. 1 is a perspective view of exotic skin eye glasses, showing my new design;
 FIG. 2 is a front elevational view thereof;
 FIG. 3 is a rear elevational view thereof;
 FIG. 4 is a left-side elevational view thereof, the right-side elevational view being a mirror image thereof;
 FIG. 5 is a top plan view thereof; and,
 FIG. 6 is a bottom plan view thereof.
 The broken lines showing eye glass frames in the figures depict environmental matter and form no part of the claimed design.

1 Claim, 3 Drawing Sheets





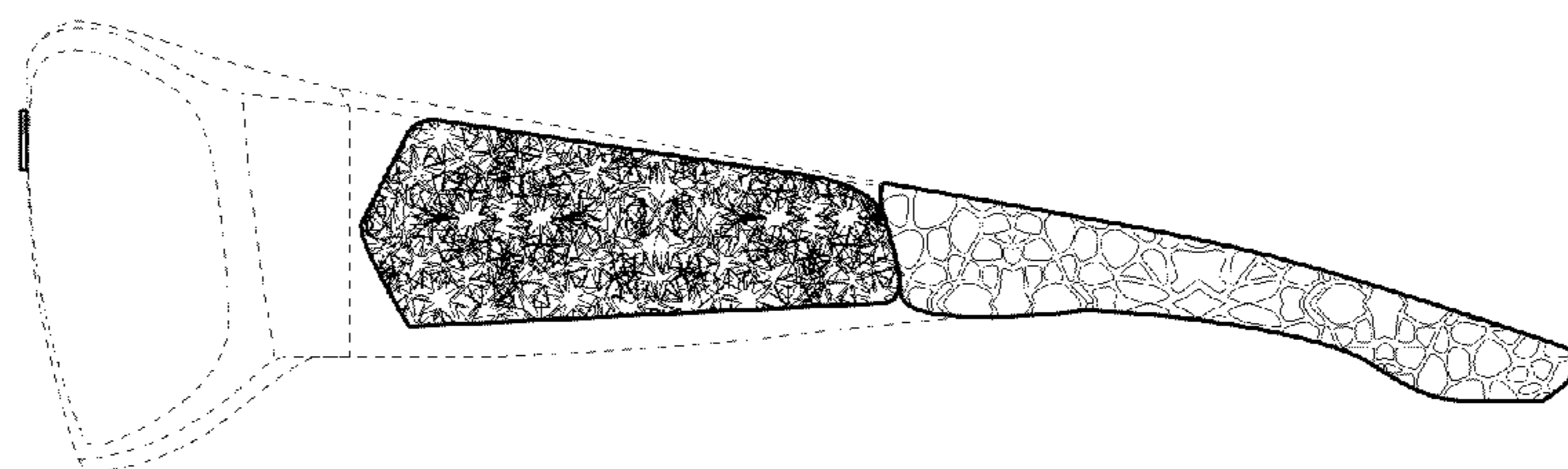


FIG. 4

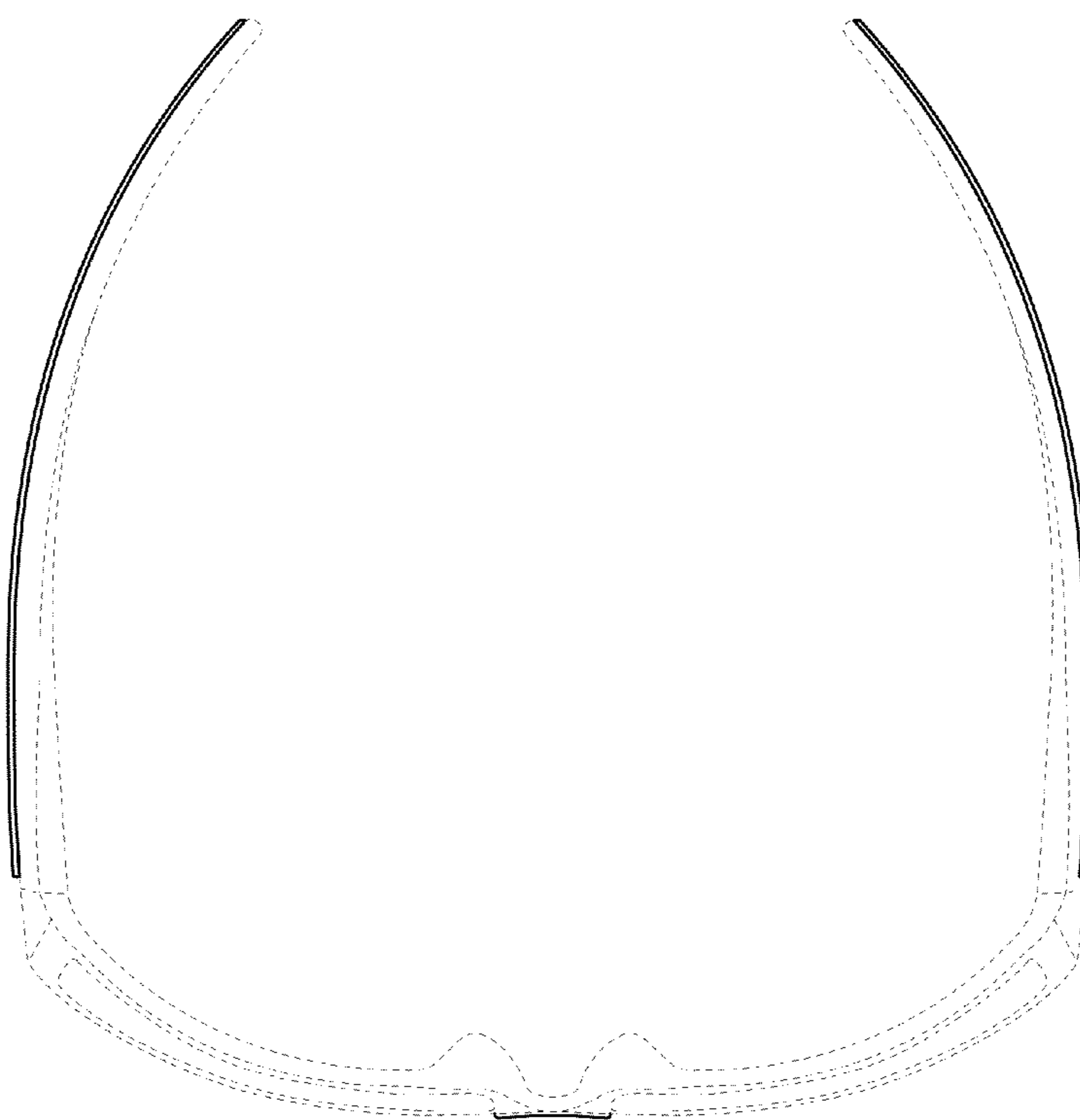


FIG. 5

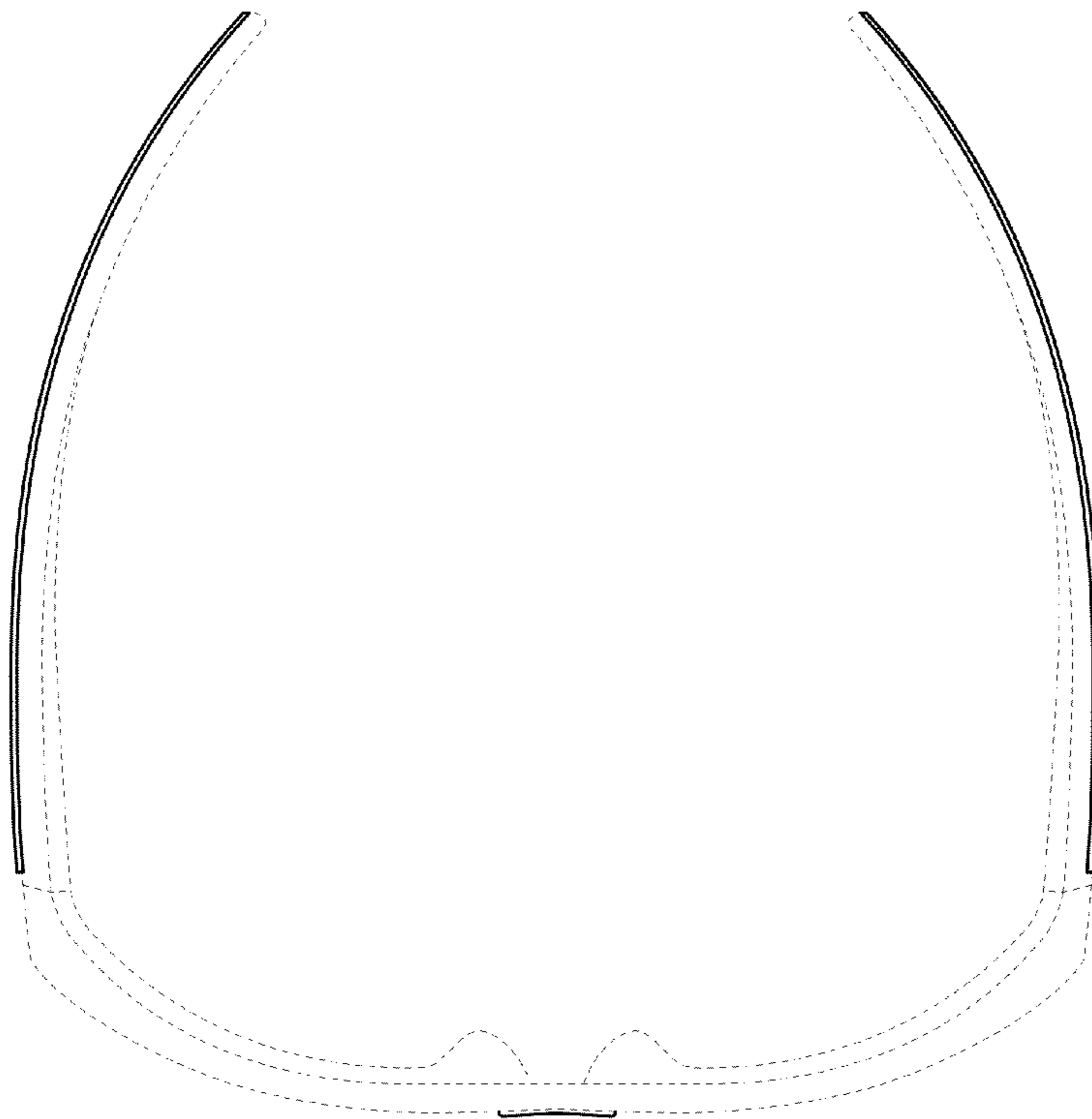


FIG. 6