



US00D709940S

(12) **United States Design Patent**
Raccah et al.

(10) **Patent No.:** **US D709,940 S**
(45) **Date of Patent:** **** Jul. 29, 2014**

- (54) **CAMERA MOUNT**
- (71) Applicant: **Midland Radio Corporation**, Kansas
City, MO (US)
- (72) Inventors: **Guy Raccah**, Kowloon (HK); **Daniel M. Devling**, Liberty, MO (US); **Paolo Torreggiani**, Mancasale (IT)
- (73) Assignee: **Midland Radio Corporation**, Kansas
City, MO (US)
- (**) Term: **14 Years**
- (21) Appl. No.: **29/449,679**
- (22) Filed: **Mar. 15, 2013**
- (51) **LOC (10) Cl.** **16-05**
- (52) **U.S. Cl.**
USPC **D16/242**
- (58) **Field of Classification Search**
USPC D8/312, 354, 394, 395; D14/217, 511;
D16/200-204, 208, 214, 219, 235, 237,
D16/242-245, 250; 248/176.1, 177.1,
248/178.1, 179.1, 180.1, 183.1, 187.1, 683;
348/373, 375; 396/419-428
See application file for complete search history.

- D605,184 S 12/2009 Mercial et al.
- D637,593 S 5/2011 Zanetti
- D653,523 S 2/2012 Wackwitz et al.
- D658,040 S 4/2012 Ghatikar et al.
- D695,816 S * 12/2013 Raccah et al. D16/242
- D695,817 S * 12/2013 Raccah et al. D16/242

OTHER PUBLICATIONS

U.S. Appl. No. 29/449,983 Ex Parte Quayle Action mailed Jun. 5, 2013, 7 pages.
U.S. Appl. No. 29/449,974 Ex Parte Quayle Action mailed Jun. 5, 2013, 6 pages.

* cited by examiner

Primary Examiner — Susan Bennett Hattan
Assistant Examiner — Leanne Was
(74) *Attorney, Agent, or Firm* — Lathrop & Gage LLP

(57) **CLAIM**

The ornamental design for a camera mount, as shown and described.

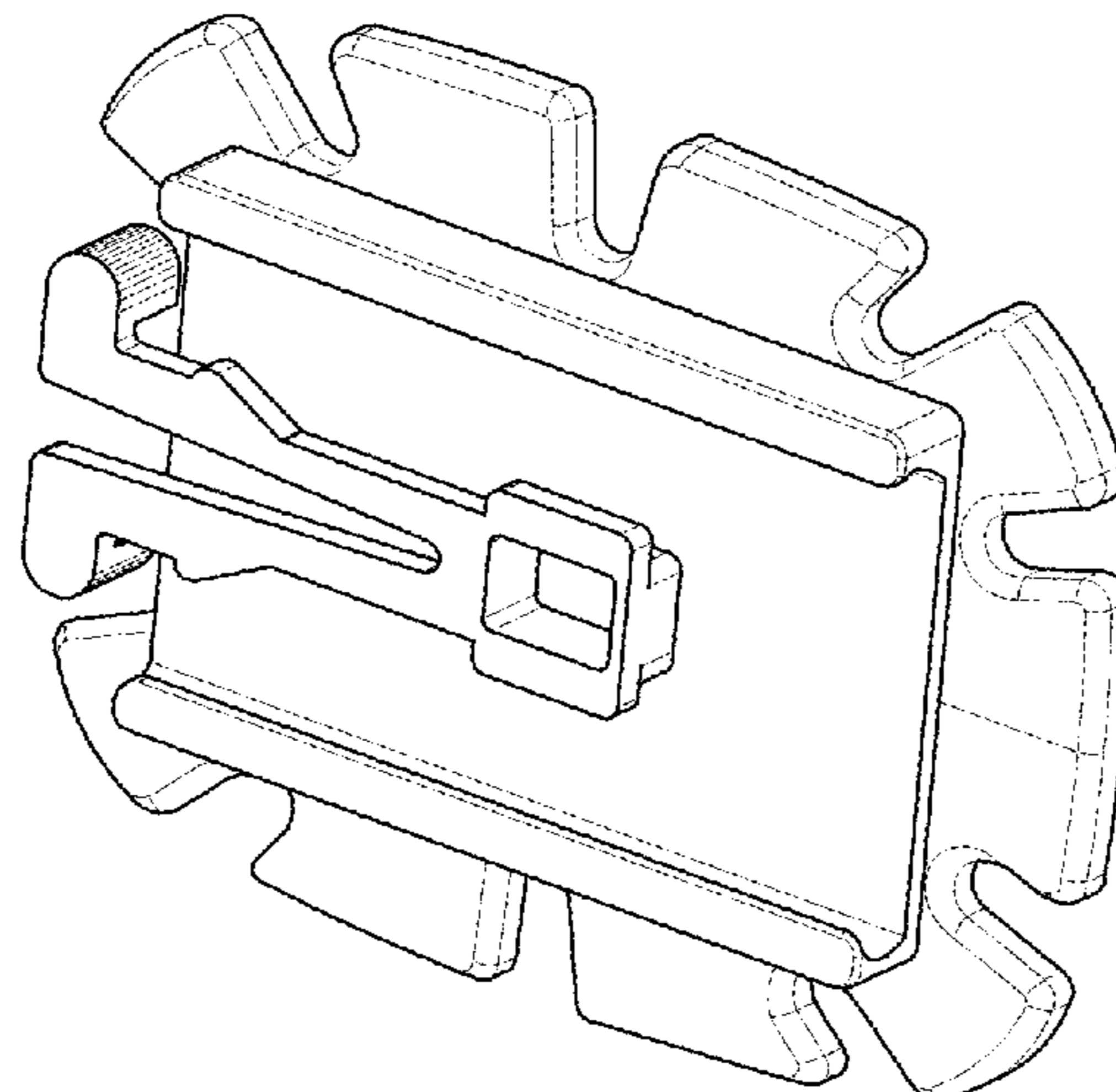
DESCRIPTION

FIG. 1 is a front perspective view of a camera mount in accordance with the present invention.
FIG. 2 is a rear perspective view of the camera mount of FIG. 1.
FIG. 3 is a top view of the camera mount of FIG. 1.
FIG. 4 is a bottom view of the camera mount of FIG. 1.
FIG. 5 is a side of the camera mount of FIG. 1; and,
FIG. 6 is an end view of the camera mount of FIG. 1.
All of the broken lines in the accompanying drawings illustrate environmental structure and form no part of the claimed design.

1 Claim, 3 Drawing Sheets

(56) **References Cited**
U.S. PATENT DOCUMENTS

- D186,422 S 10/1959 Kohler
- D252,208 S 6/1979 Ooya
- D375,888 S 11/1996 Loitherstein
- D487,390 S * 3/2004 Tanaka et al. D8/354
- D508,842 S * 8/2005 Paolini D8/395
- D514,923 S * 2/2006 Brown D8/354
- D579,319 S 10/2008 Short
- D580,741 S 11/2008 Short



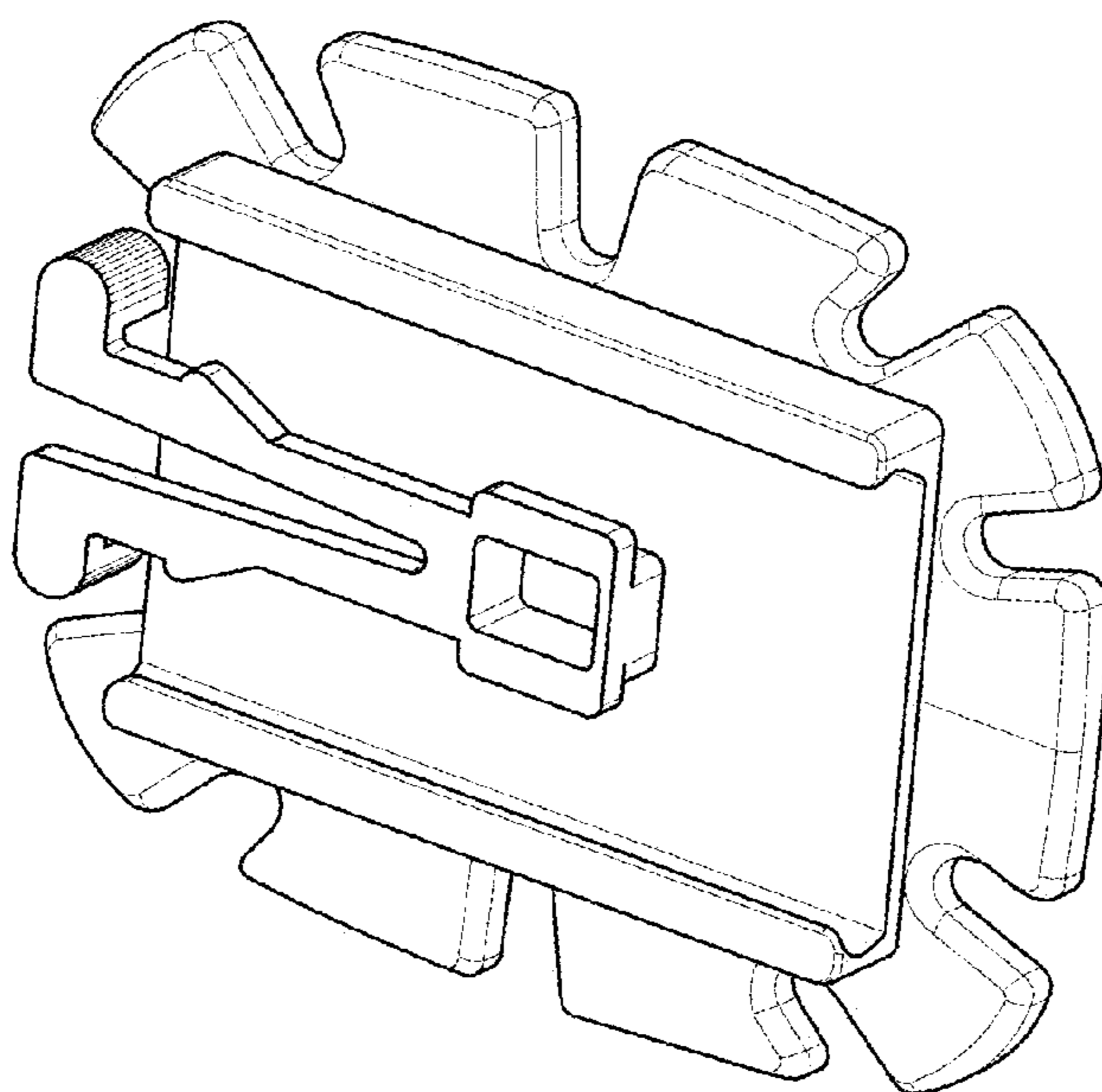


FIG. 1

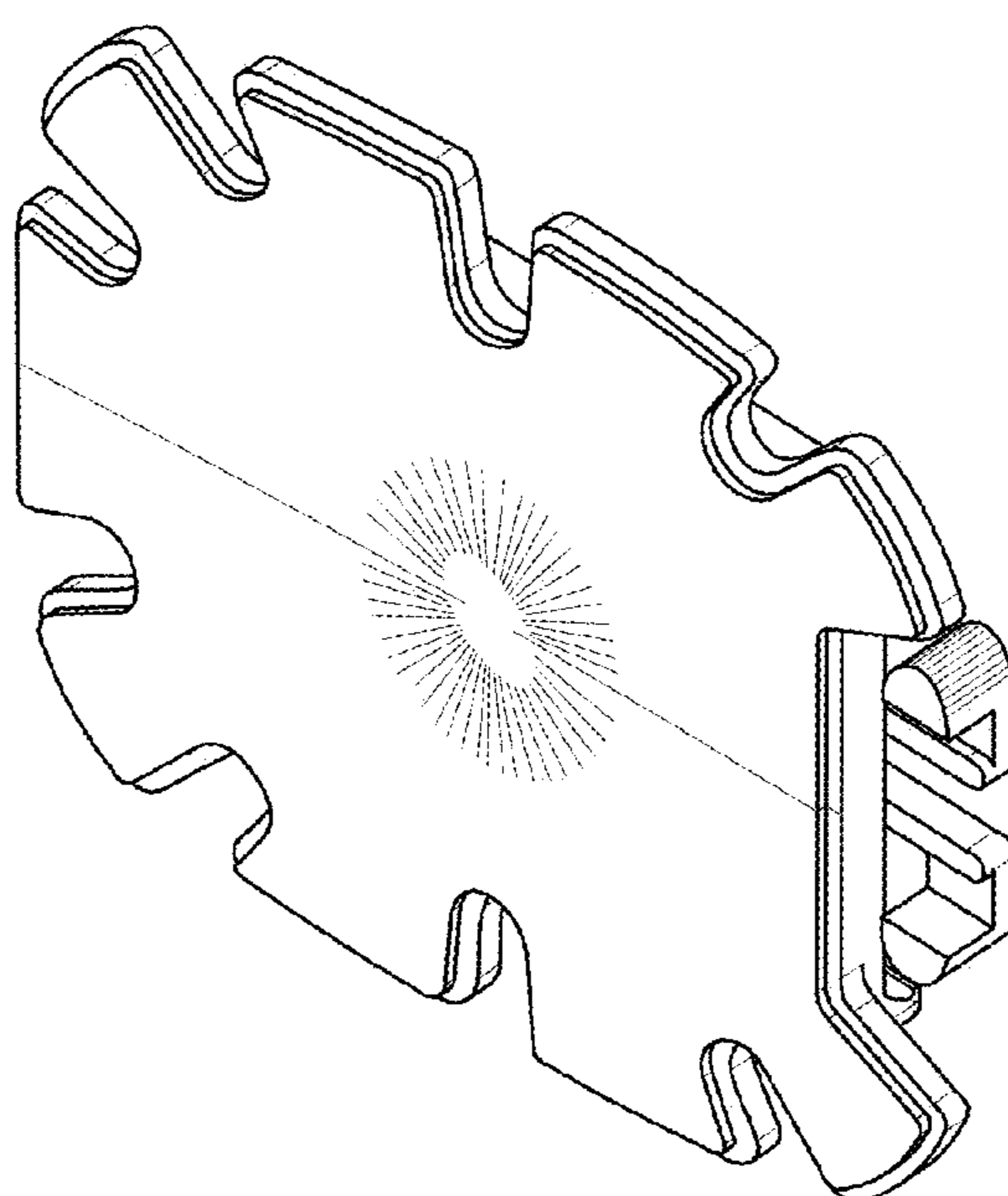


FIG. 2

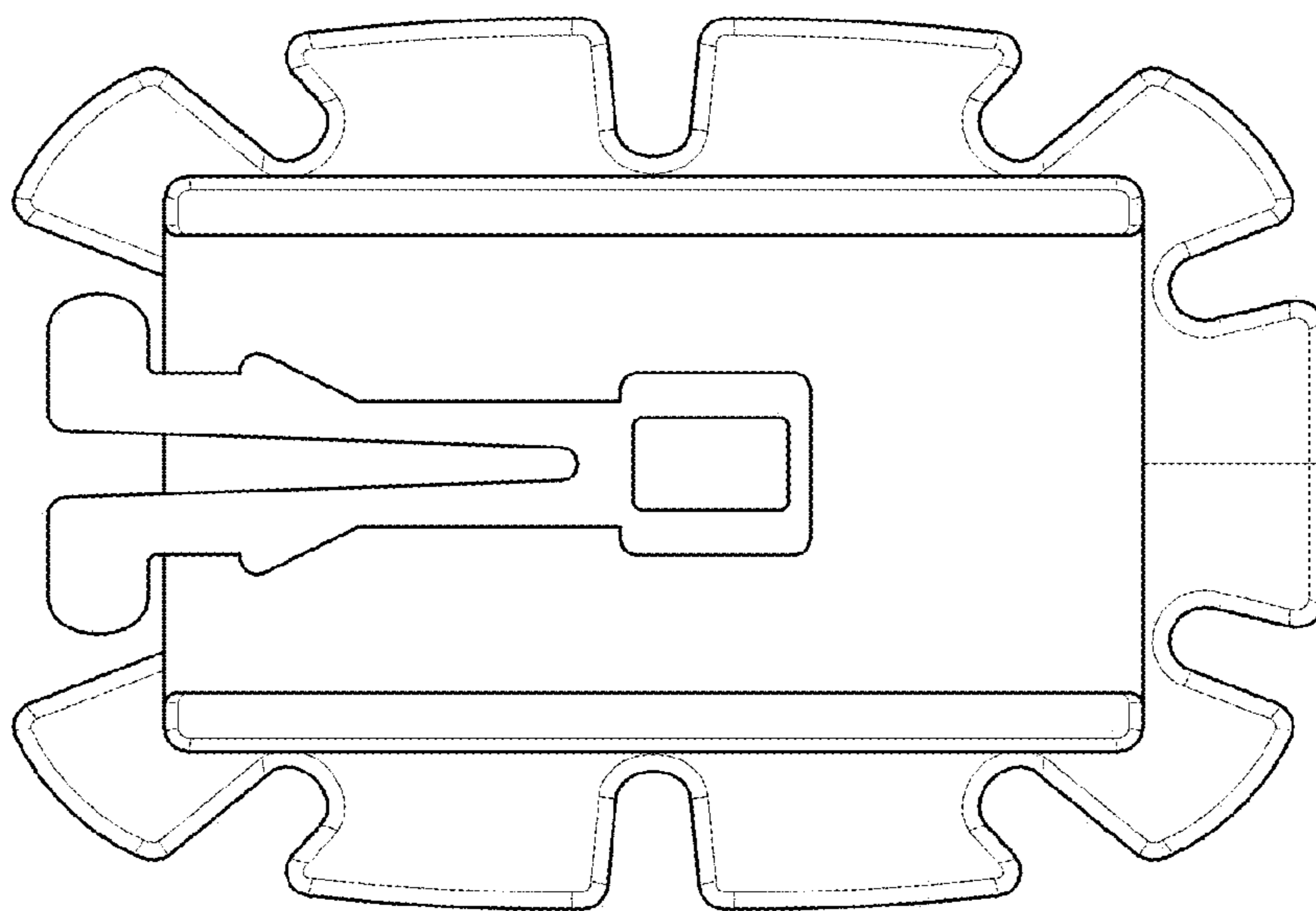


FIG. 3

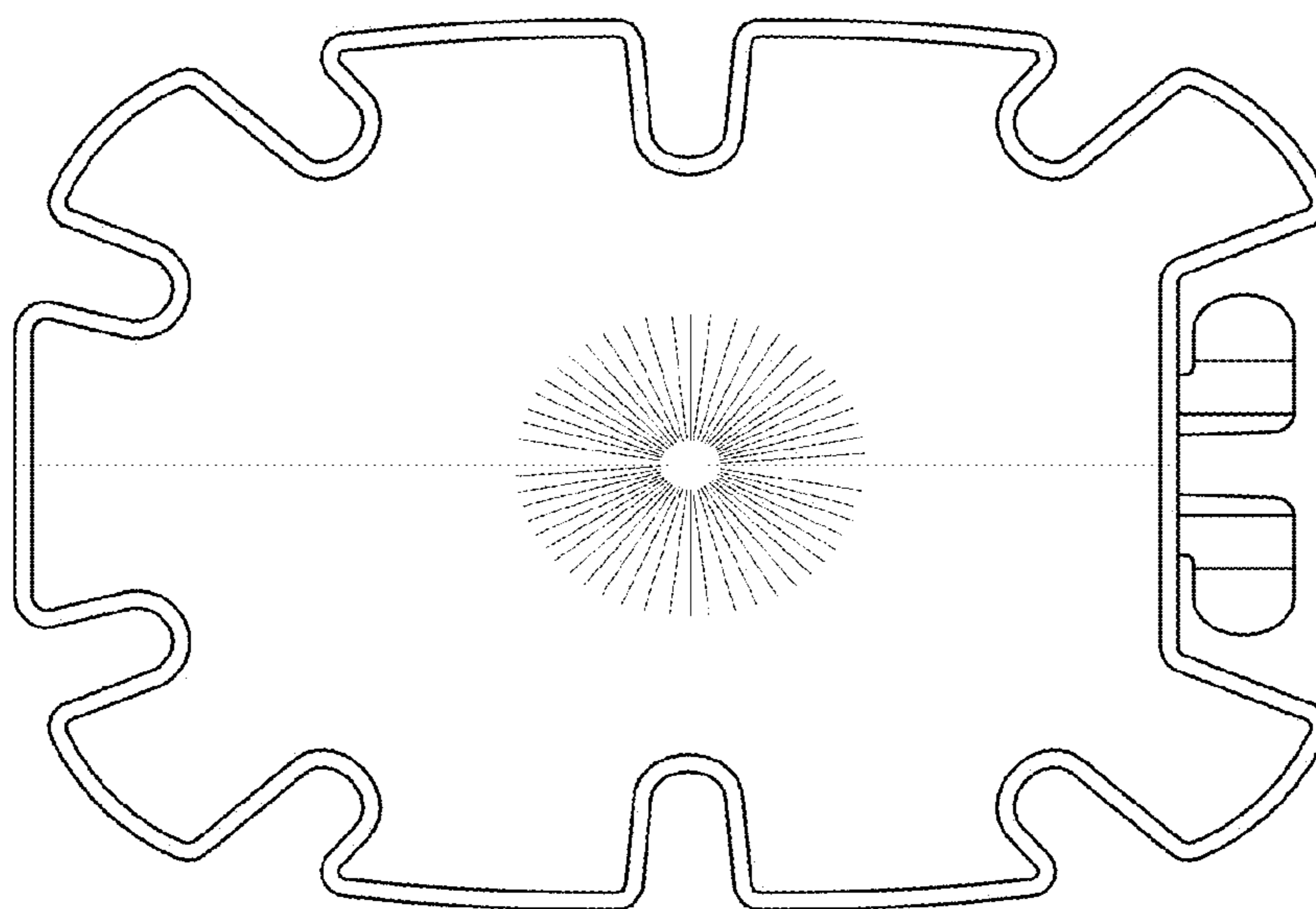


FIG. 4

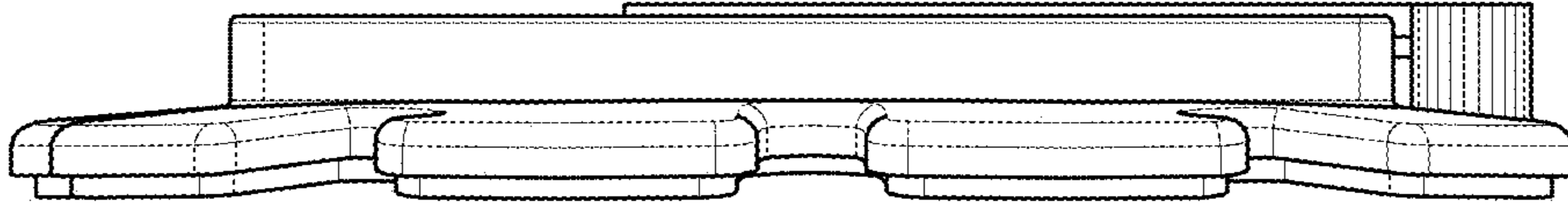


FIG. 5

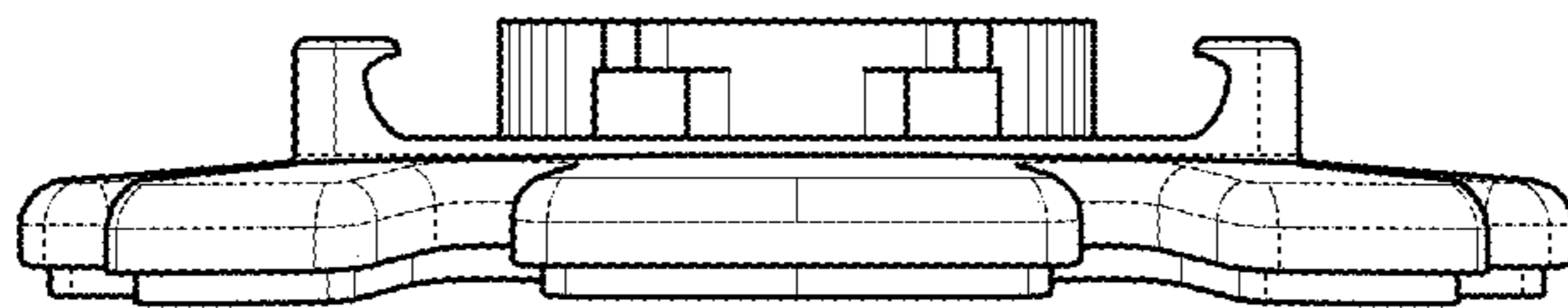


FIG. 6