



US00D709938S

(12) **United States Design Patent**
Okamoto et al.

(10) **Patent No.:** **US D709,938 S**
(45) **Date of Patent:** **** Jul. 29, 2014**

(54) **PROJECTOR**

(71) Applicant: **NEC Display Solutions, Ltd.**, Tokyo (JP)

(72) Inventors: **Takayuki Okamoto**, Tokyo (JP); **Susumu Ogawa**, Tokyo (JP); **Huajun Xu**, Hsinchu (TW)

(73) Assignee: **NEC Display Solutions, Ltd.**, Tokyo (JP)

(**) Term: **14 Years**

(21) Appl. No.: **29/452,071**

(22) Filed: **Apr. 11, 2013**

(30) **Foreign Application Priority Data**

Oct. 12, 2012 (JP) 2012-024918

(51) **LOC (10) Cl.** **16-02**

(52) **U.S. Cl.**
USPC **D16/230; D16/225**

(58) **Field of Classification Search**
USPC D16/205, 208, 221, 225, 229-231, 234;
D21/514; 353/88, 101, 115, 119, 122;
396/448

See application file for complete search history.

(56) **References Cited**

U.S. PATENT DOCUMENTS

D544,898 S * 6/2007 Kawabe et al. D16/230
D550,269 S * 9/2007 Salvatori et al. D16/230

7,677,739 B2 * 3/2010 Kuroda 353/119
D614,684 S * 4/2010 Inoue et al. D16/230
D655,739 S * 3/2012 Ogawa et al. D16/230
D655,740 S * 3/2012 Ogawa et al. D16/230
D656,174 S * 3/2012 Ogawa et al. D16/230
D656,532 S * 3/2012 Ogawa et al. D16/230
8,573,781 B2 * 11/2013 Koyama 353/119

* cited by examiner

Primary Examiner — Wan Laymon

(74) *Attorney, Agent, or Firm* — Sughrue Mion, PLLC

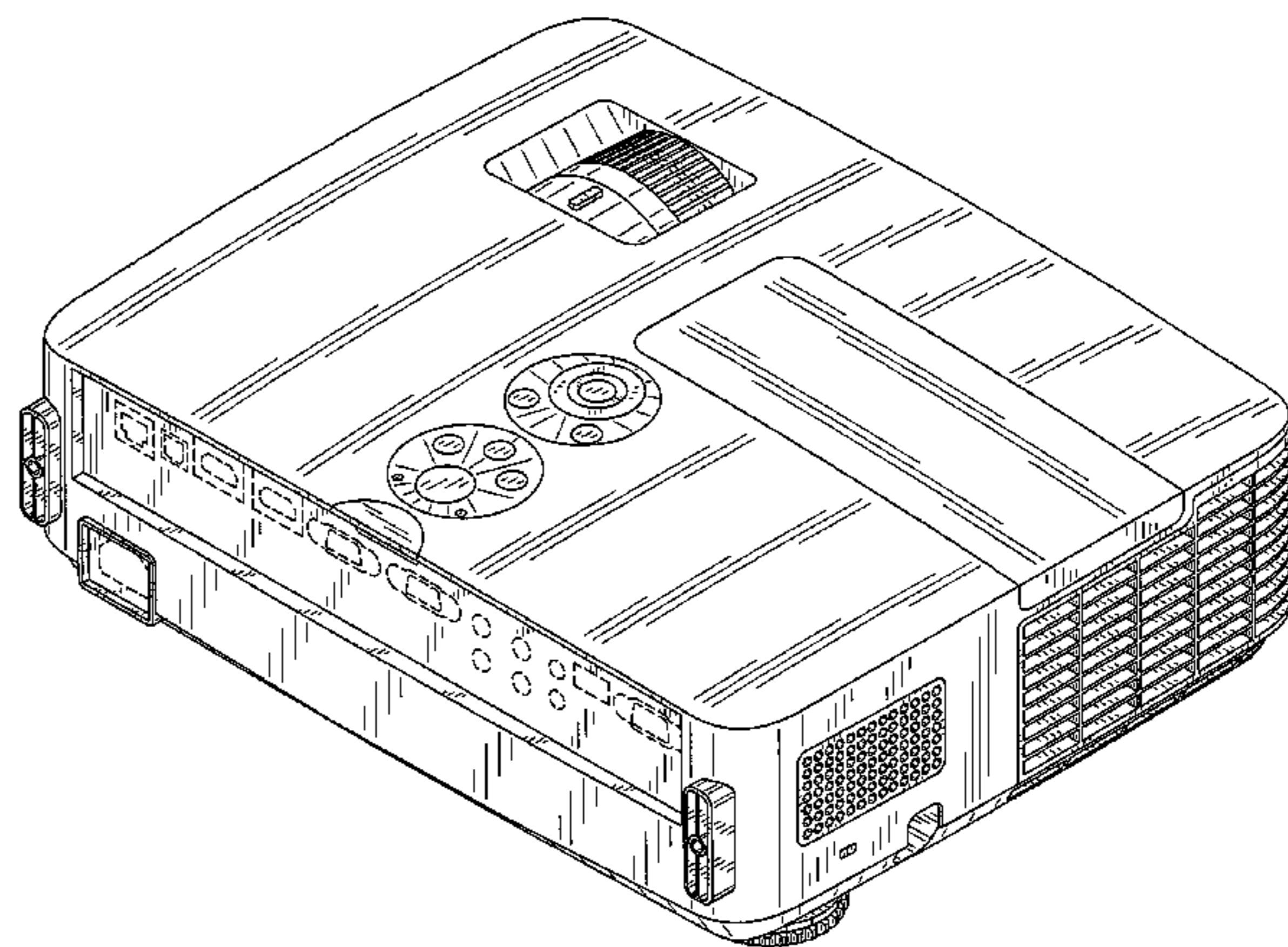
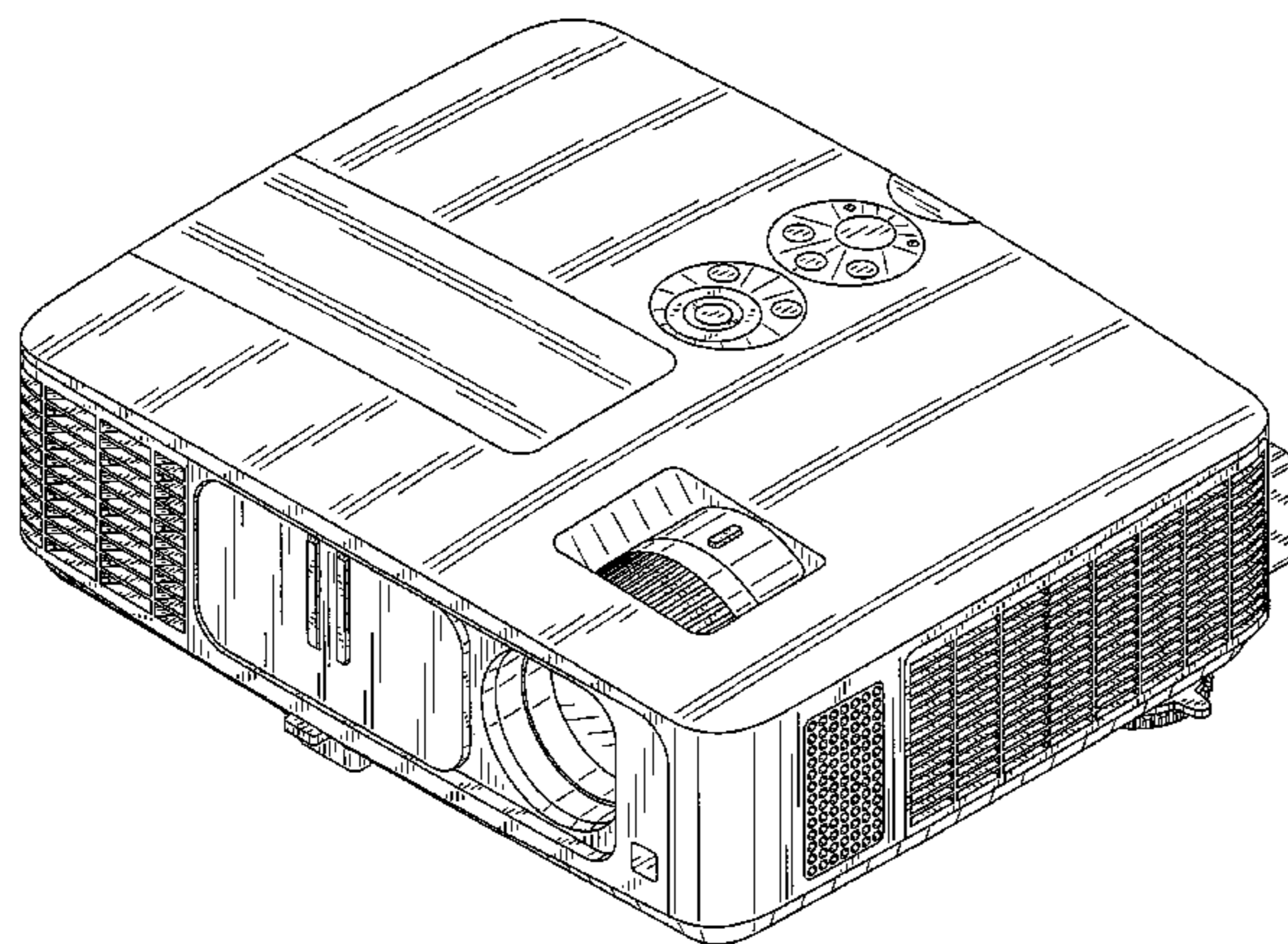
(57) **CLAIM**

The ornamental design for a projector, as shown and described.

DESCRIPTION

FIG. 1 is a reduced scale front, right side, top perspective view of a projector showing our new design;
FIG. 2 is a reduced scale perspective view thereof, showing a state in which a lens cover is closed;
FIG. 3 is a reduced scale rear, left side, top a perspective view thereof;
FIG. 4 is a front elevational view thereof;
FIG. 5 is a rear elevational view thereof;
FIG. 6 is a left side view thereof;
FIG. 7 is a right side view thereof;
FIG. 8 is a top plan view thereof; and,
FIG. 9 is a bottom plan view thereof.
The portions in broken lines are shown for illustrative purposes only and form no part of the claimed design.

1 Claim, 9 Drawing Sheets



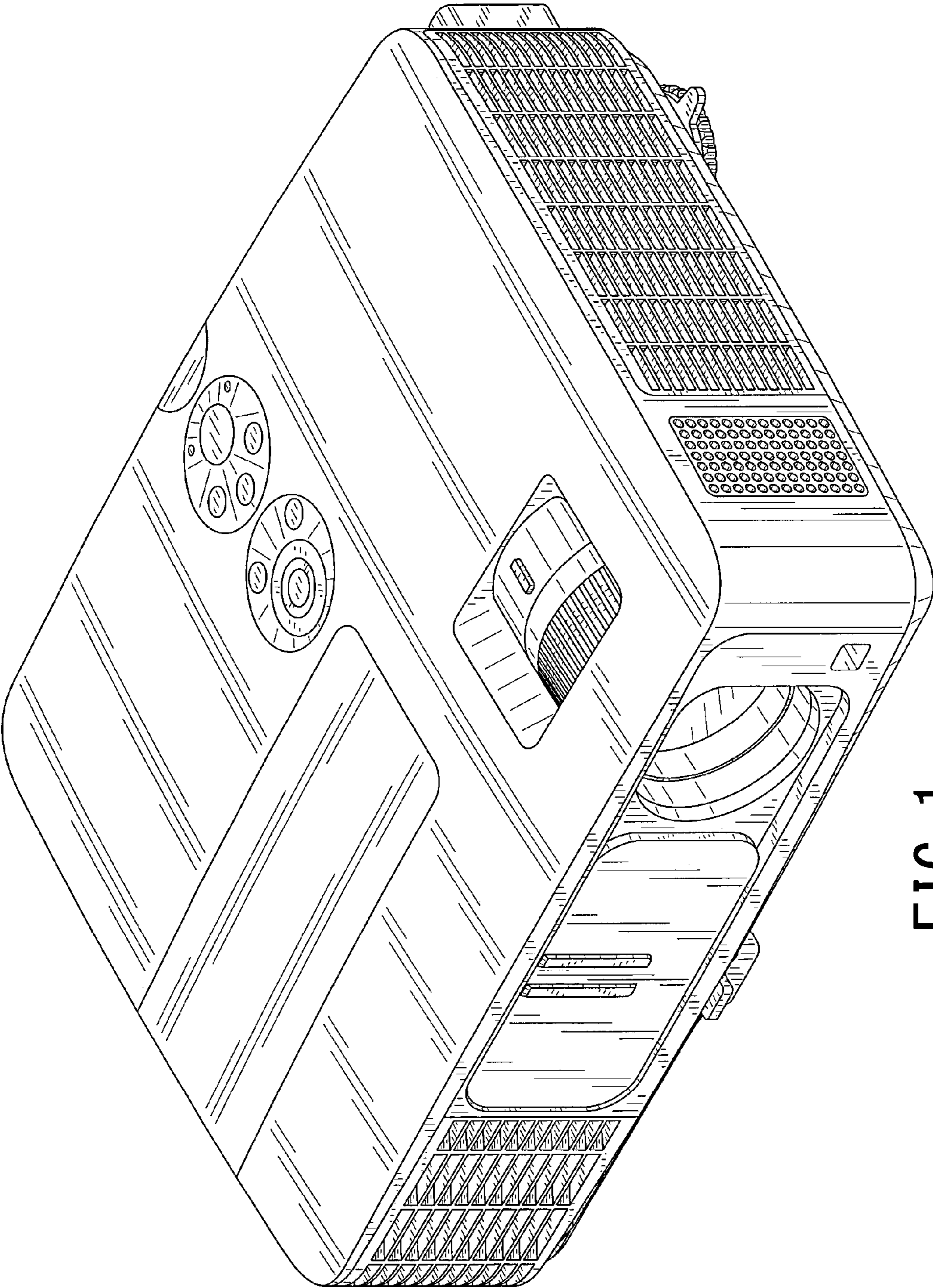


FIG. 1

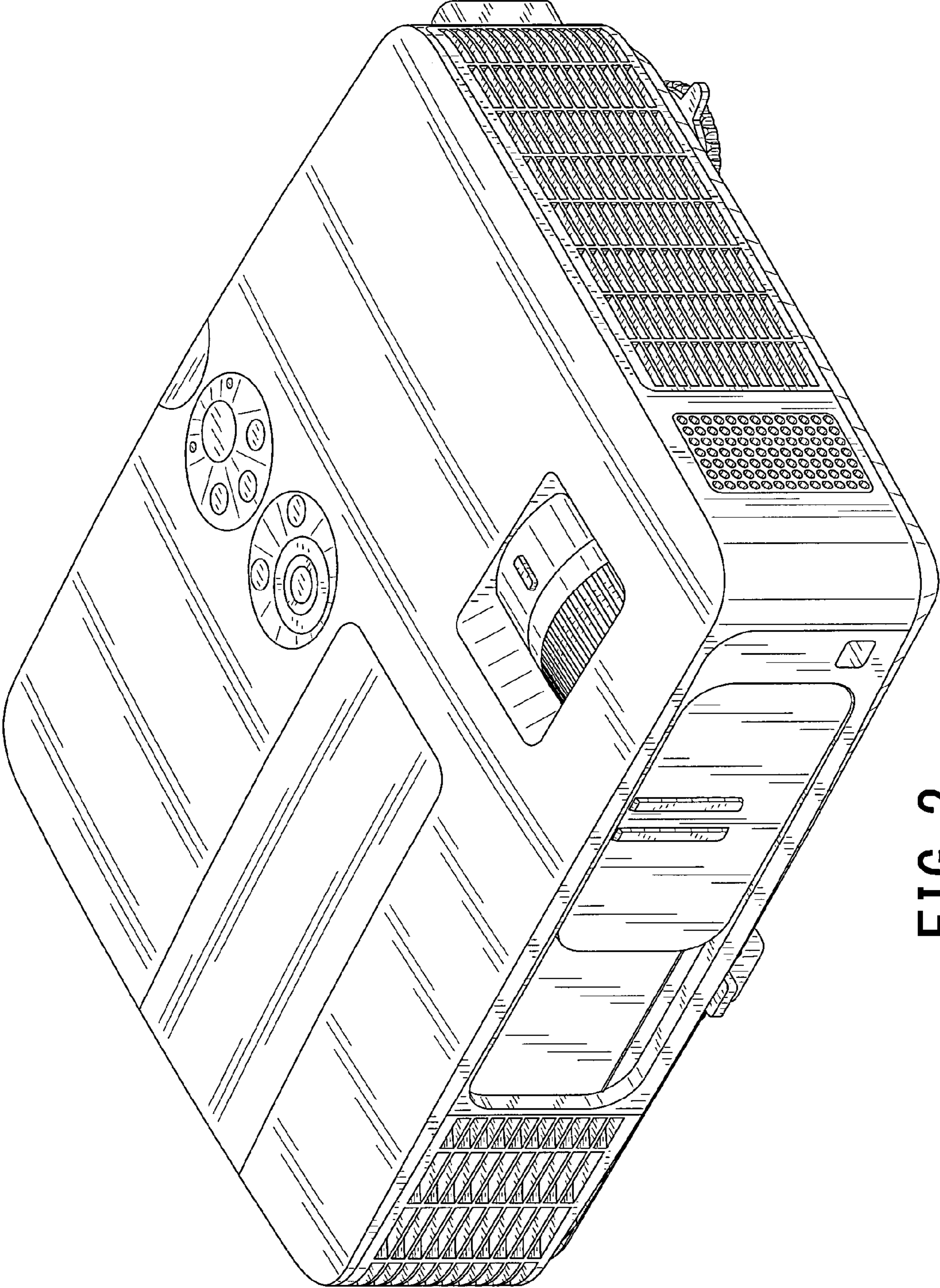


FIG. 2

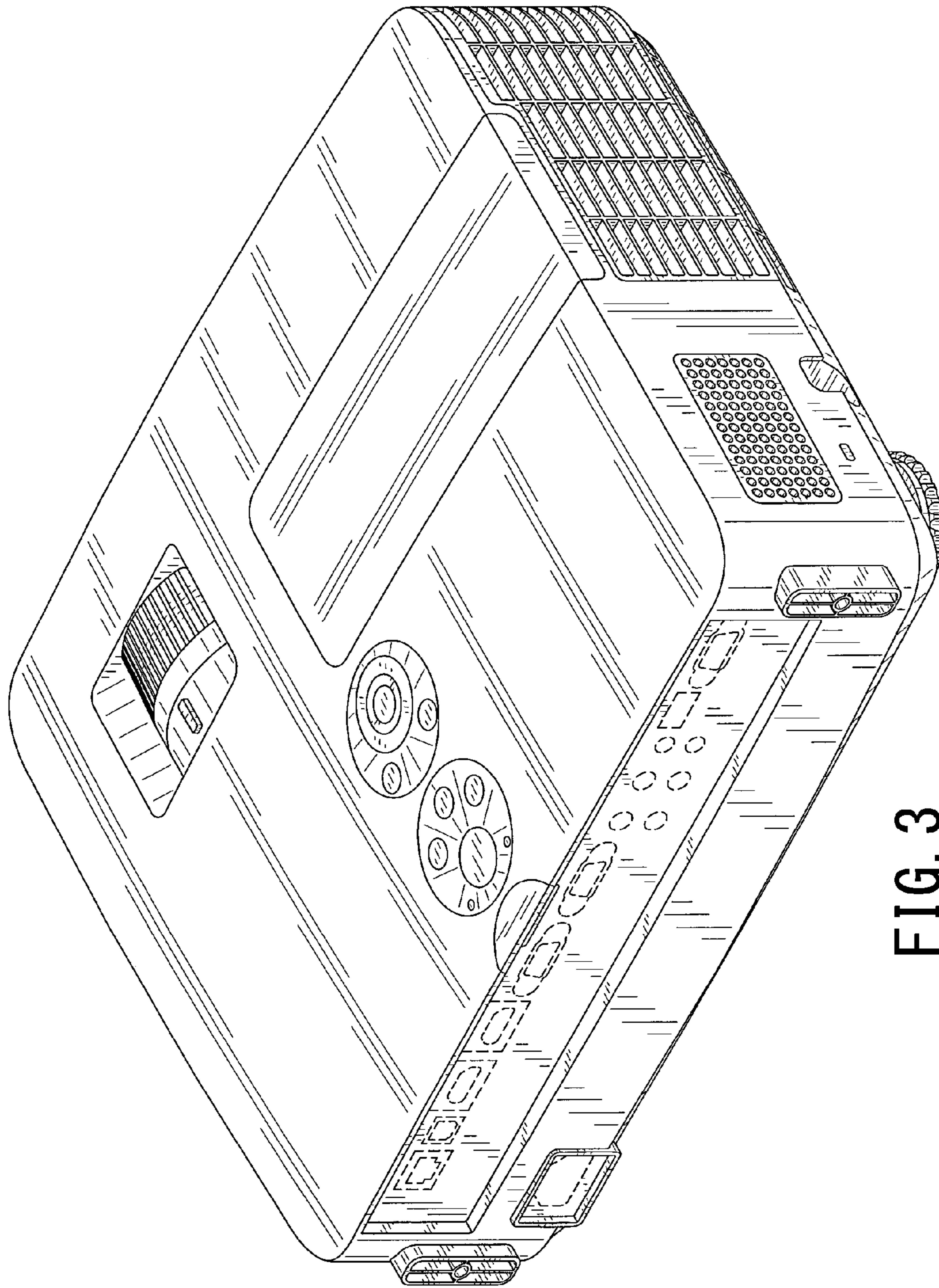


FIG. 3

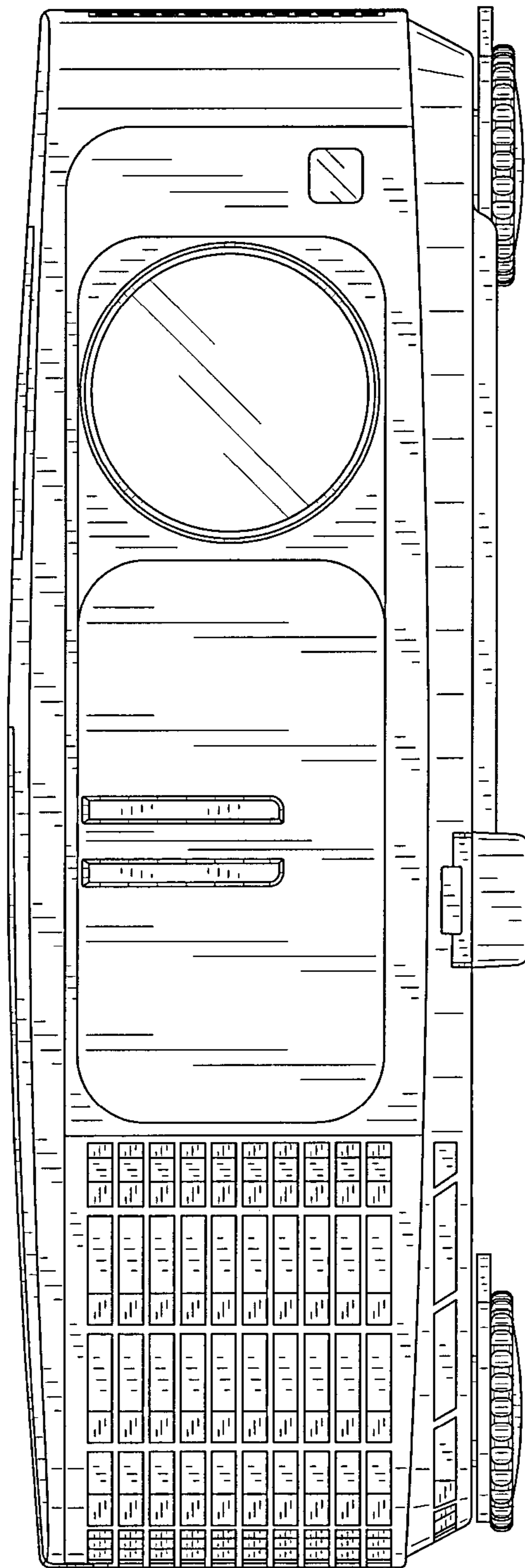


FIG. 4

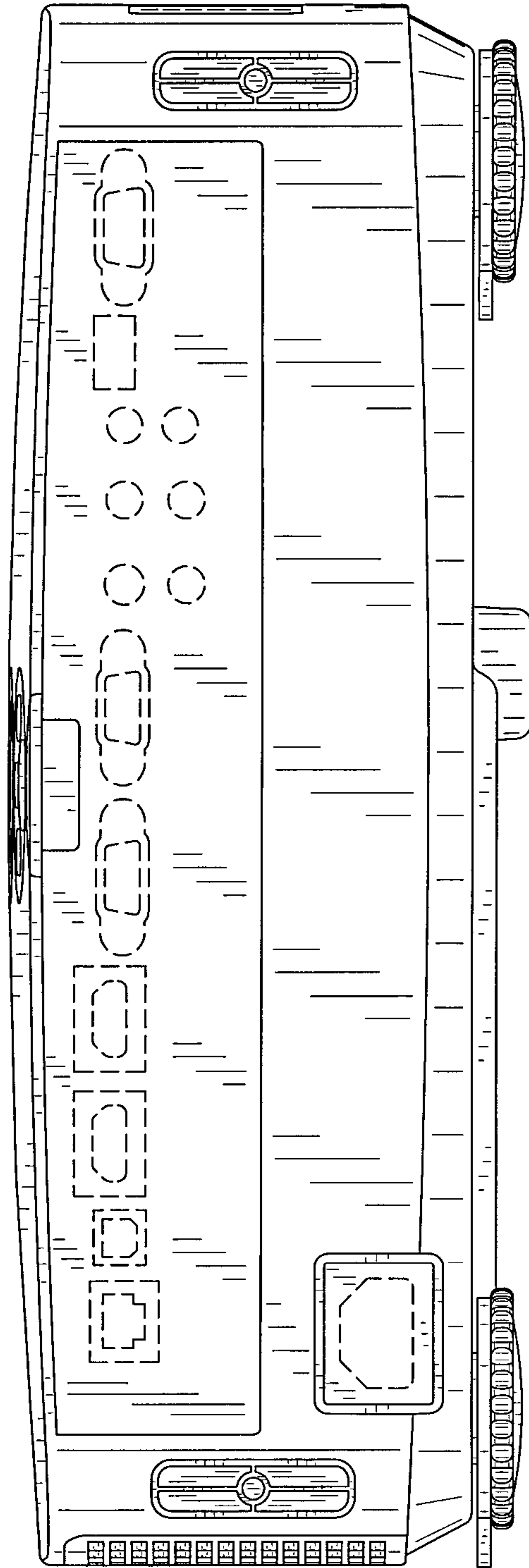


FIG. 5

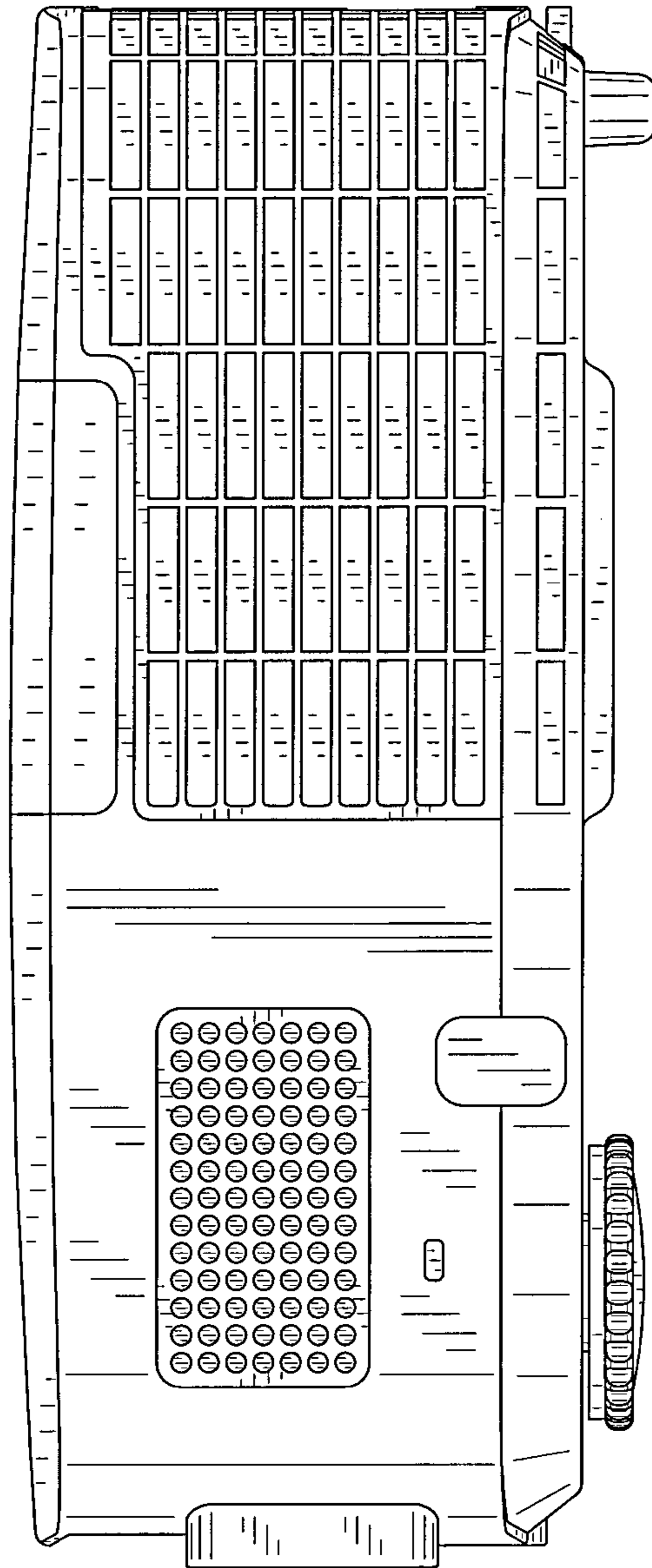


FIG. 6

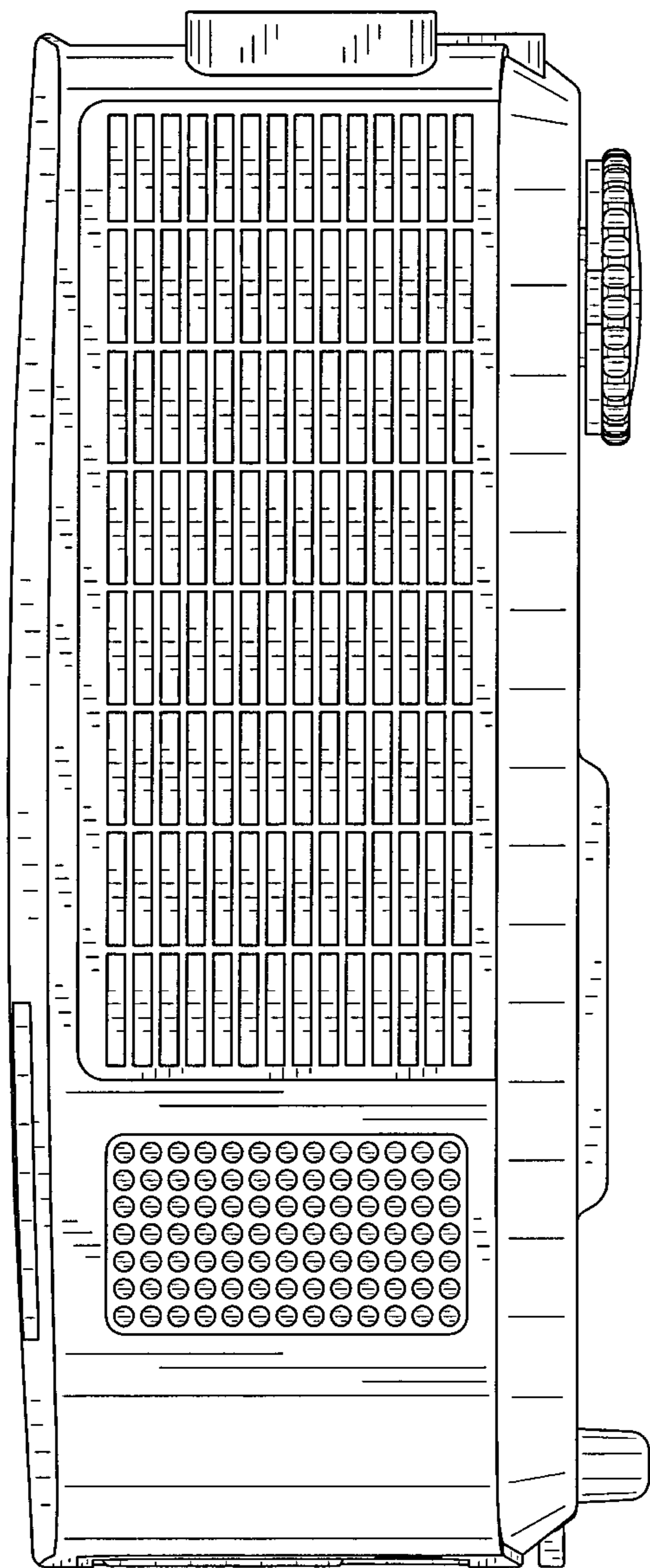


FIG. 7

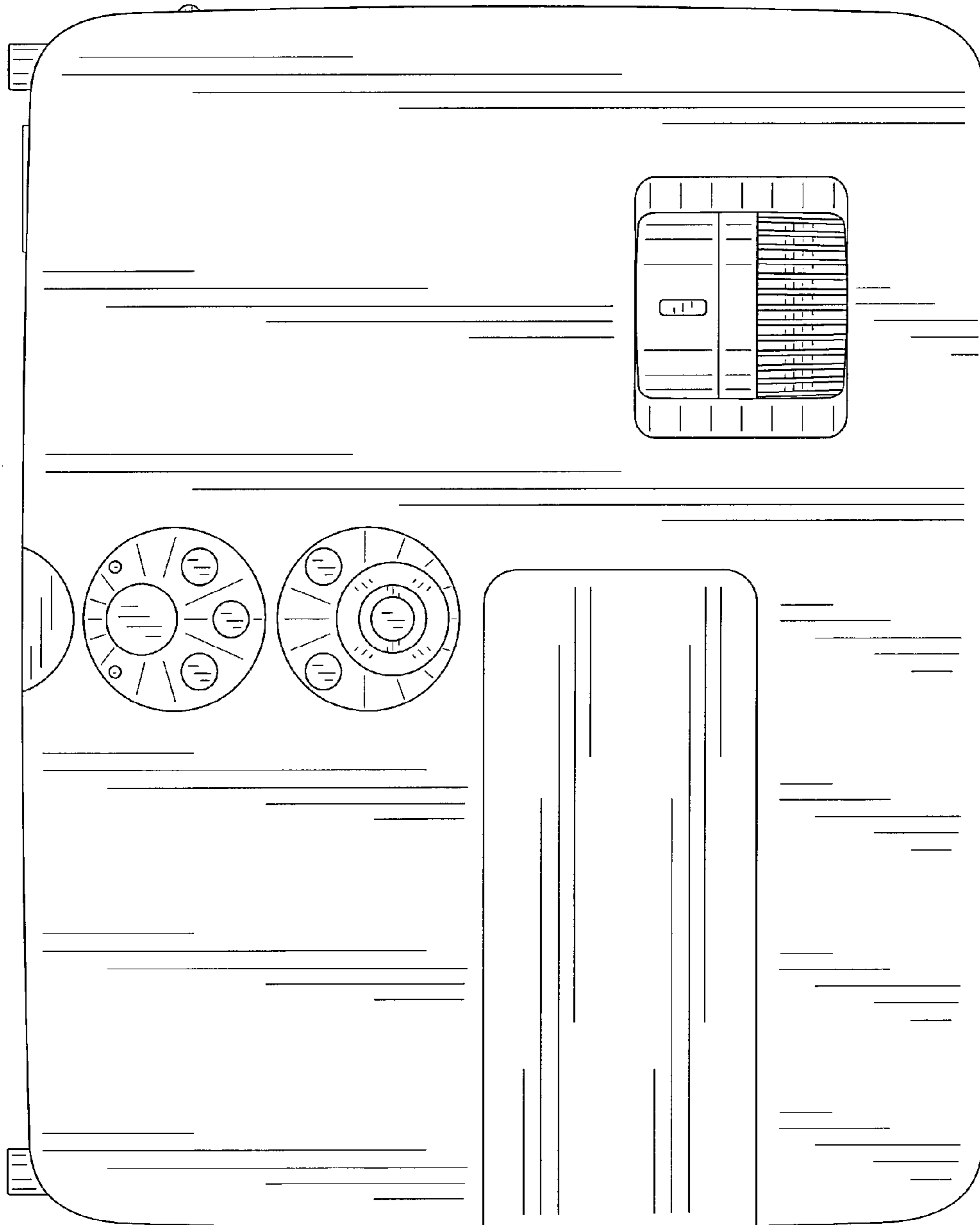


FIG. 8

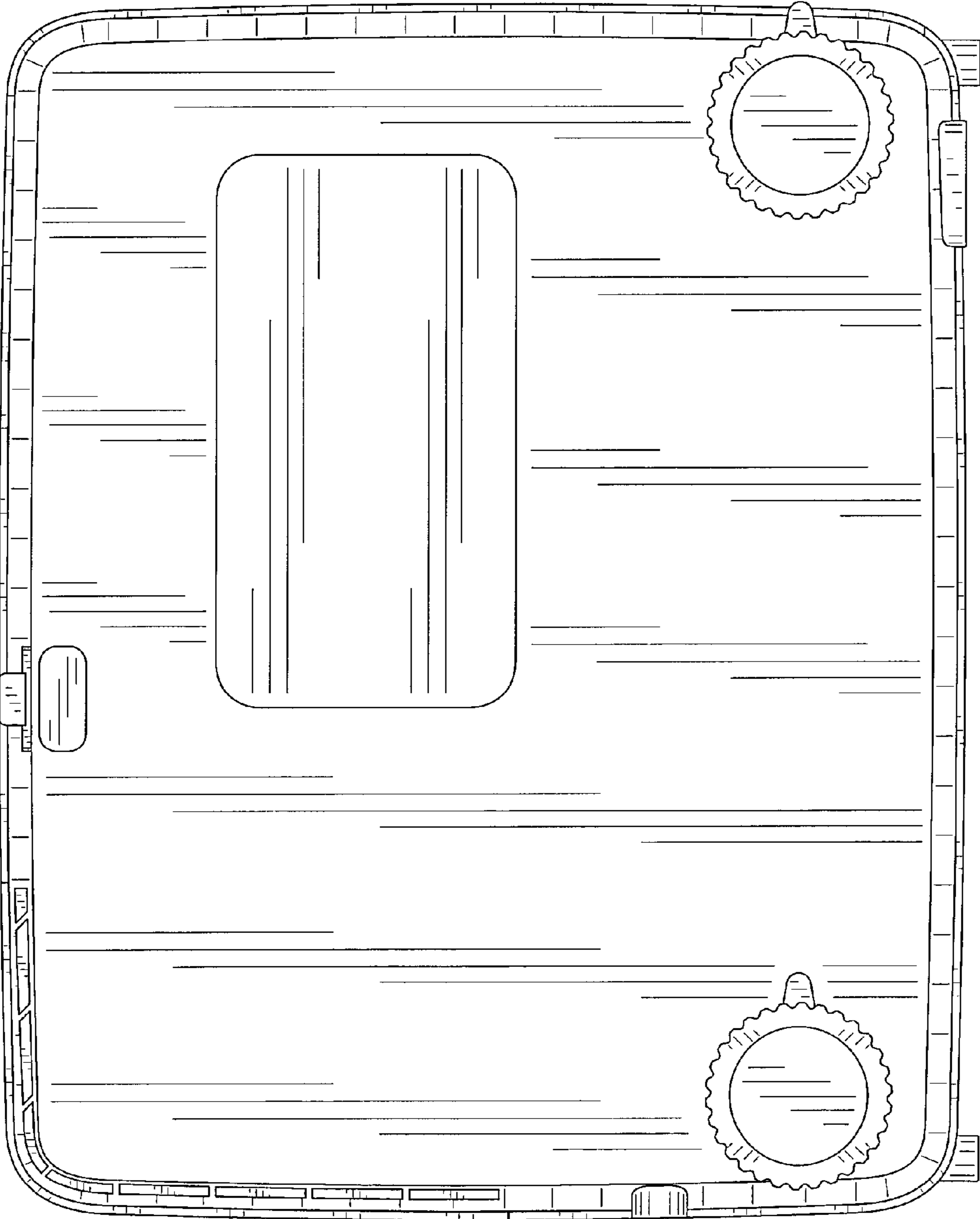


FIG. 9