



US00D709937S

(12) **United States Design Patent**
Goldenberg et al.

(10) **Patent No.:** **US D709,937 S**
(45) **Date of Patent:** **** Jul. 29, 2014**

(54) **MULTI POSITION MAGNIFIER CAMERA**

(71) Applicant: **Freedom Scientific, Inc.**, St. Petersburg, FL (US)

(72) Inventors: **Michael Goldenberg**, Melbourne, FL (US); **Mathieu Zastawny**, Philadelphia, PA (US)

(73) Assignee: **Freedom Scientific, Inc.**, St. Petersburg, FL (US)

(**) Term: **14 Years**

(21) Appl. No.: **29/441,459**

(22) Filed: **Jan. 4, 2013**

(51) **LOC (10) Cl.** **16-01**

(52) **U.S. Cl.**
USPC **D16/211; D16/135**

(58) **Field of Classification Search**
CPC G03B 15/03; G03B 17/02; G03B 17/04;
G03B 17/56; G03B 19/04; H04N 5/2251;
H04N 5/2252; H04N 5/2253; H04N 5/2254;
H04N 2101/00
USPC D16/130, 200–204, 208, 211, 212, 218,
D16/219, 242; D14/138 G; 348/63, 333.01,
348/333.06, 333.07, 373–376; 359/802;
396/535, 539–541

See application file for complete search history.

(56) **References Cited**

U.S. PATENT DOCUMENTS

D614,220 S *	4/2010	Goldenberg	D16/200
D623,681 S *	9/2010	Fong	D16/242
D624,107 S *	9/2010	Goldenberg	D16/211
D631,077 S *	1/2011	Kawase	D16/202
D636,423 S *	4/2011	Ogino et al.	D16/202

2012/0169913 A1* 7/2012 Ogino et al. 348/333.06

* cited by examiner

Primary Examiner — Philip S Hyder

Assistant Examiner — Ramzi Almatrahi

(74) *Attorney, Agent, or Firm* — GrayRobinson, P.A.;
Michael J. Colitz, III

(57) **CLAIM**

The ornamental design for a multi position magnifier camera, as shown and described.

DESCRIPTION

FIG. 1 is a perspective view of the front of the magnifier camera with the handle extended.

FIG. 2 is a perspective view of the front of the magnifier camera with the handle extended and taken from the opposite side of FIG. 1.

FIG. 3 is a perspective view of the back of the magnifier camera with the handle extended.

FIG. 4 is a perspective view of the back of the magnifier camera with the handle extended and taken from the opposite side of FIG. 3.

FIG. 5 is a perspective view of the front of the magnifier camera with the camera in the opened configuration.

FIG. 6 is a perspective view of the front of the magnifier camera with the camera in the opened configuration and taken from the opposite side of FIG. 5.

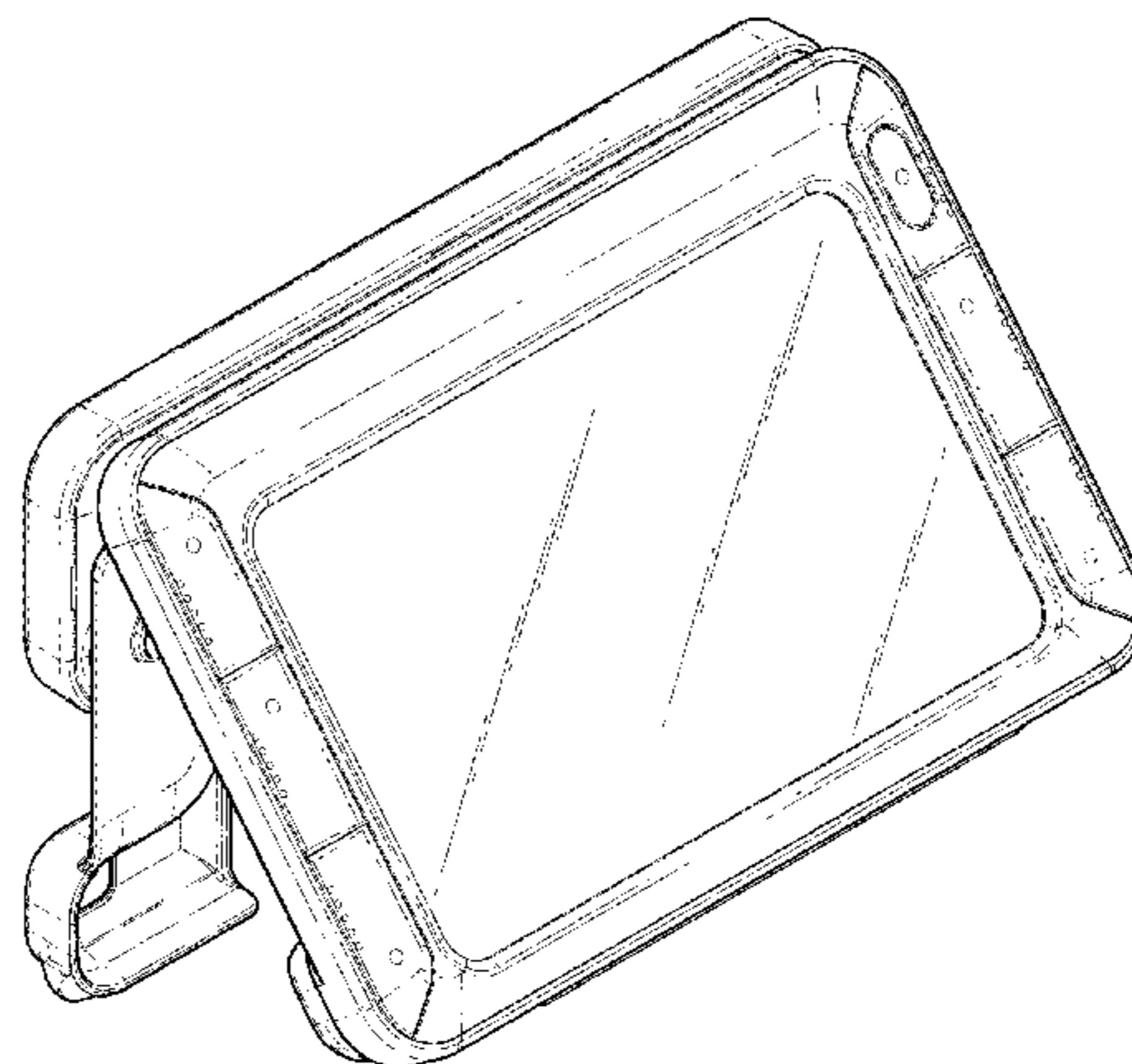
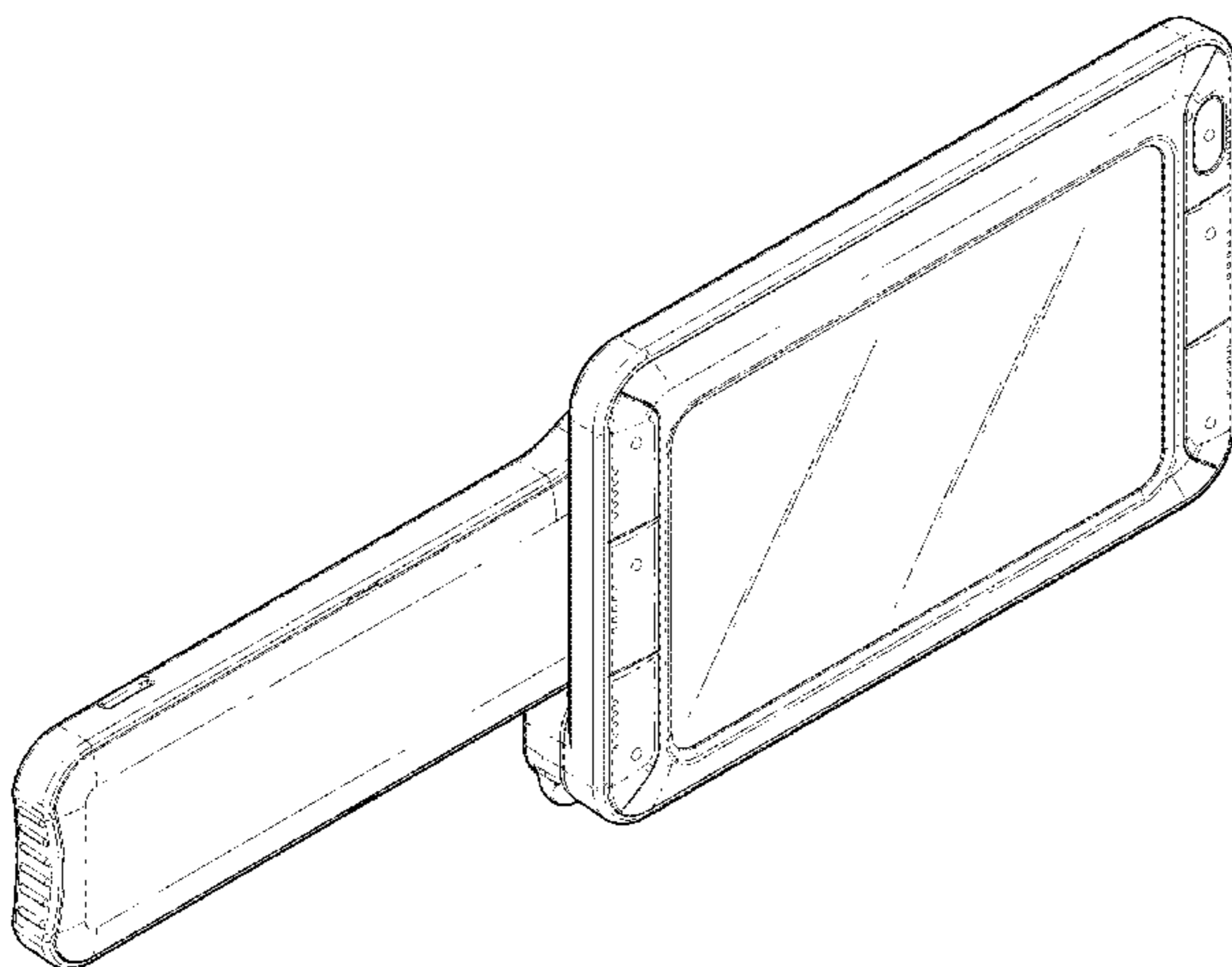
FIG. 7 is a perspective view of the bottom of the magnifier camera with the camera in the opened configuration.

FIG. 8 is a perspective view of the bottom of the magnifier camera in the opened configuration and taken from the opposite side of FIG. 7.

FIG. 9 is an additional perspective view of the bottom of the magnifier camera in the opened configuration; and,

FIG. 10 is an additional perspective view of the bottom of the magnifier camera in the opened configuration and taken from the opposite direction of FIG. 9.

1 Claim, 10 Drawing Sheets



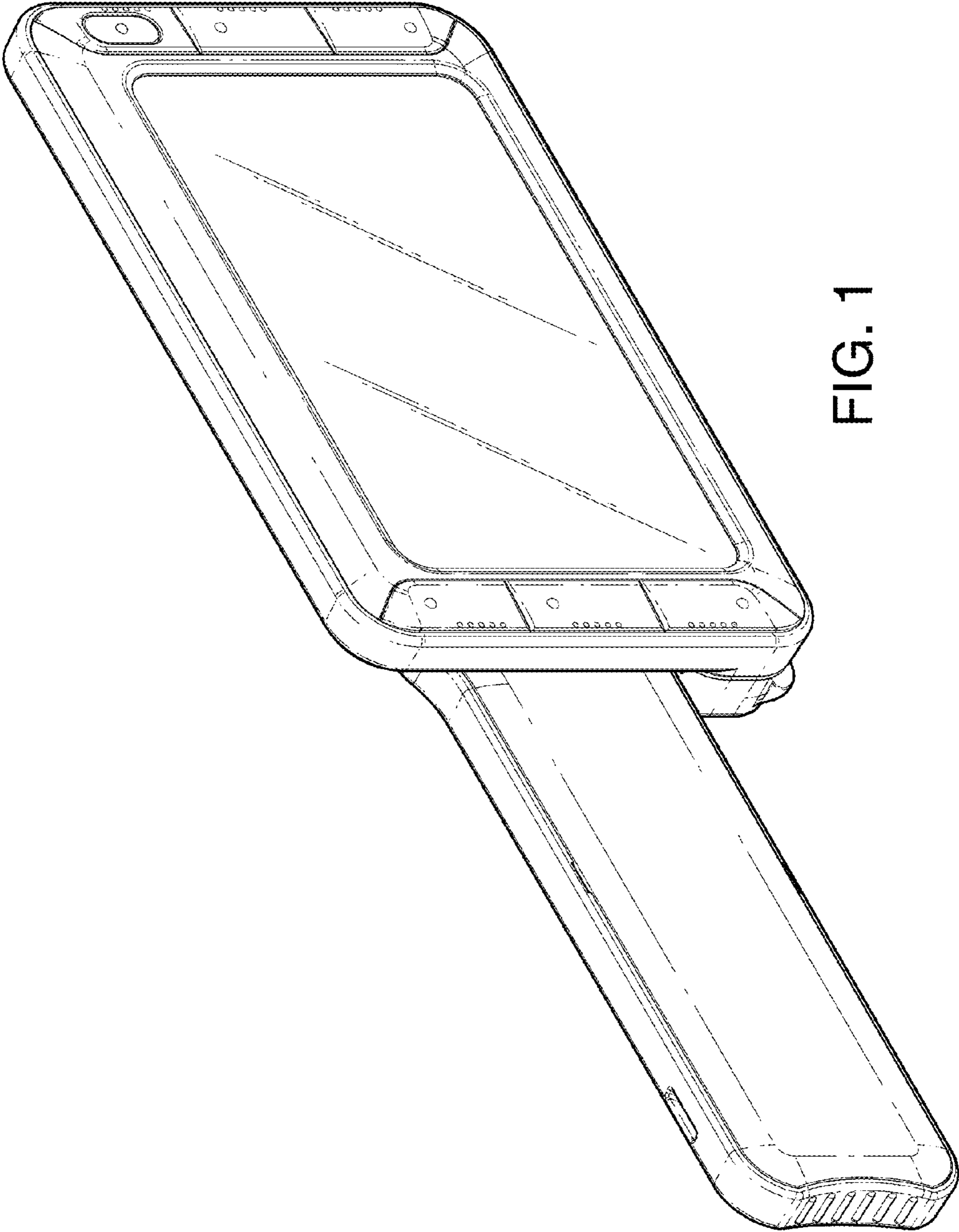


FIG. 1

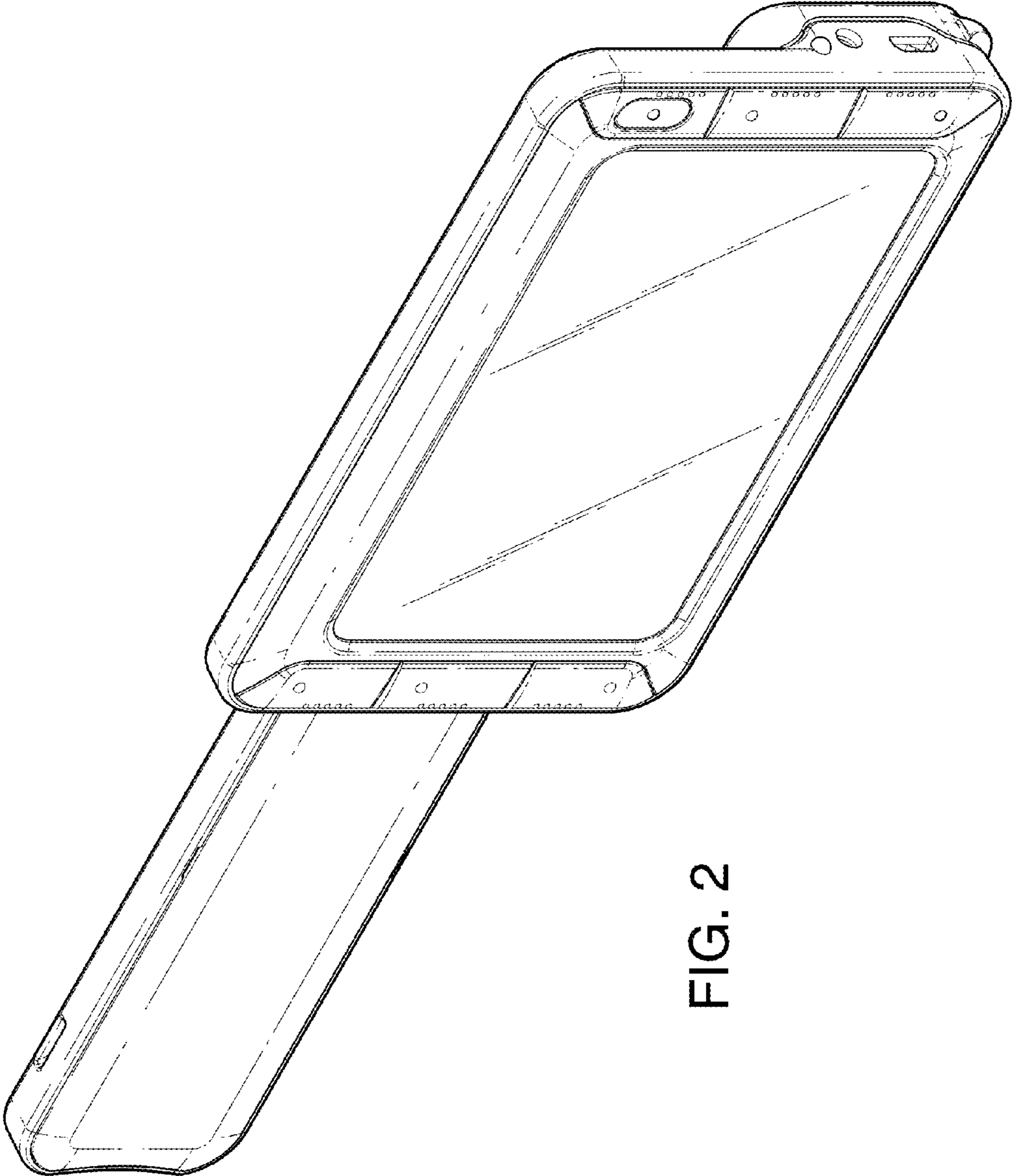


FIG. 2

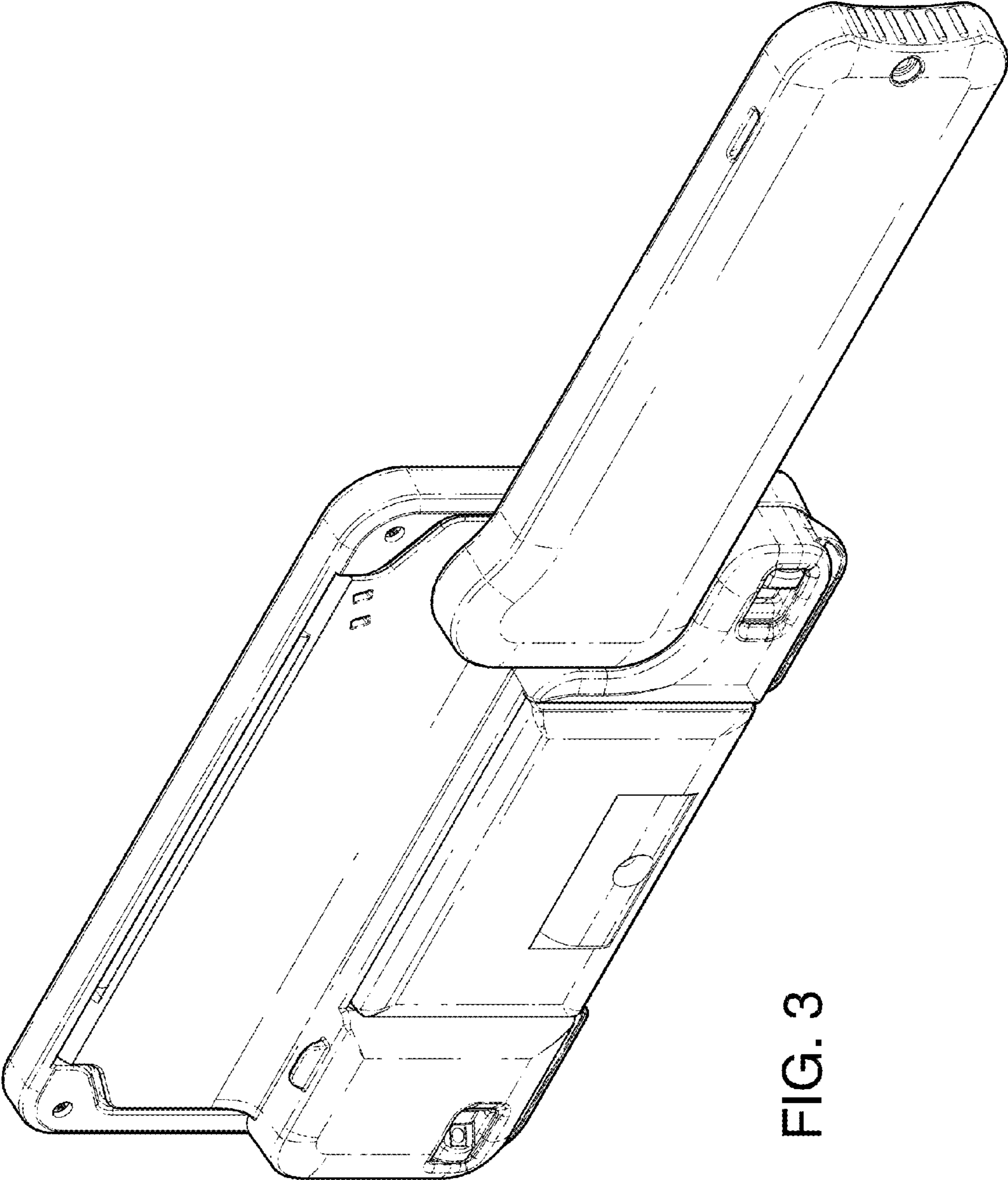


FIG. 3

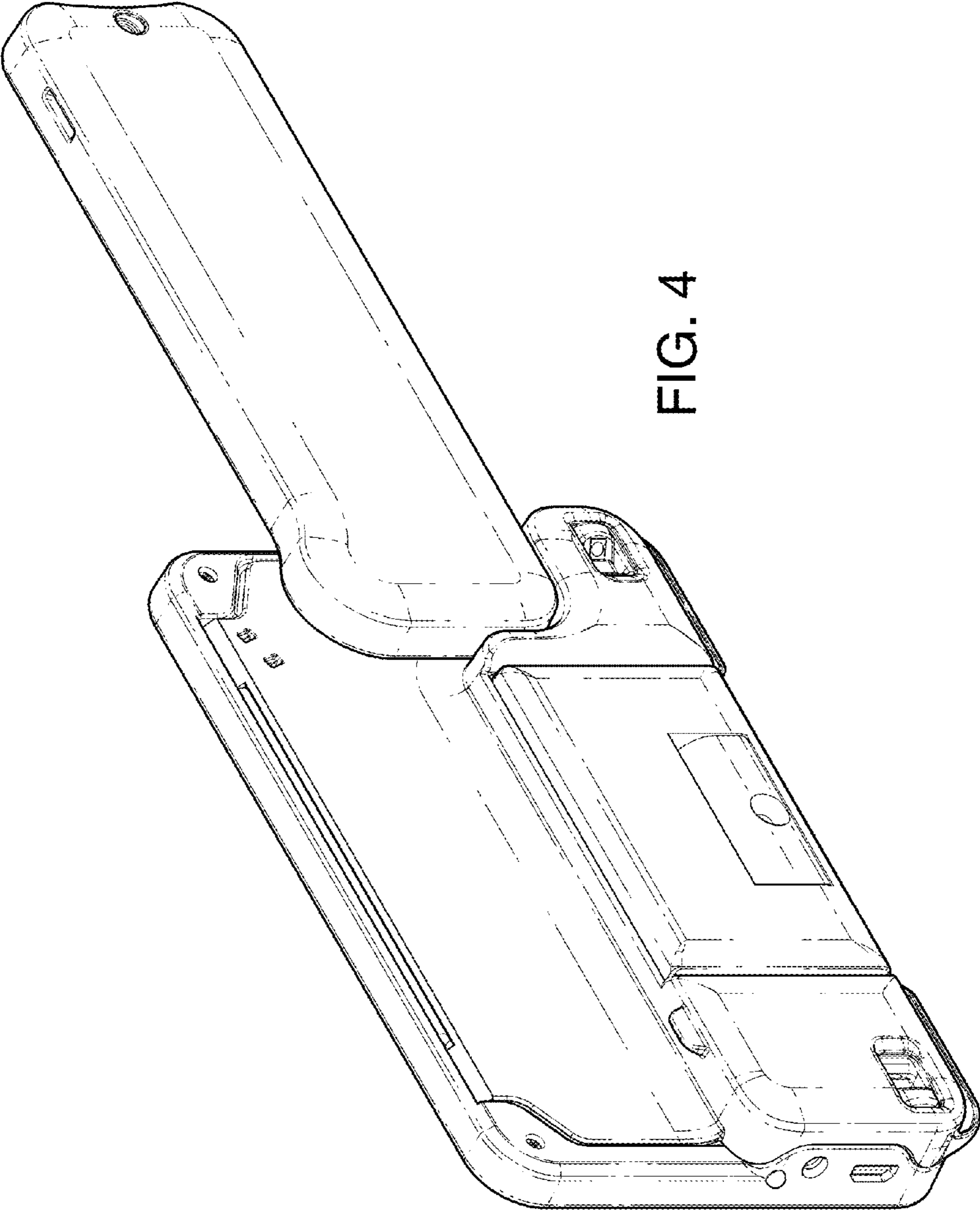


FIG. 4

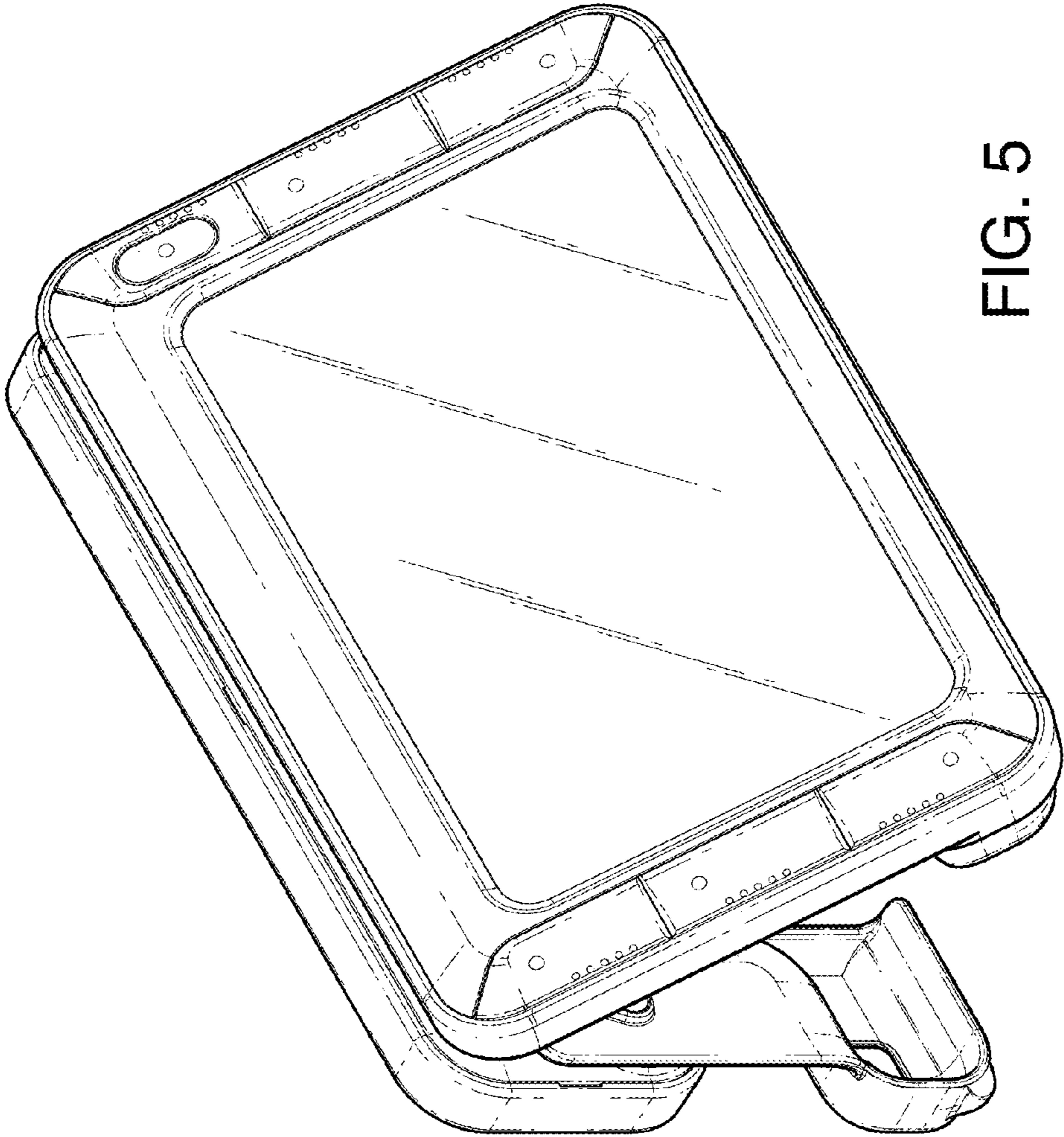


FIG. 5

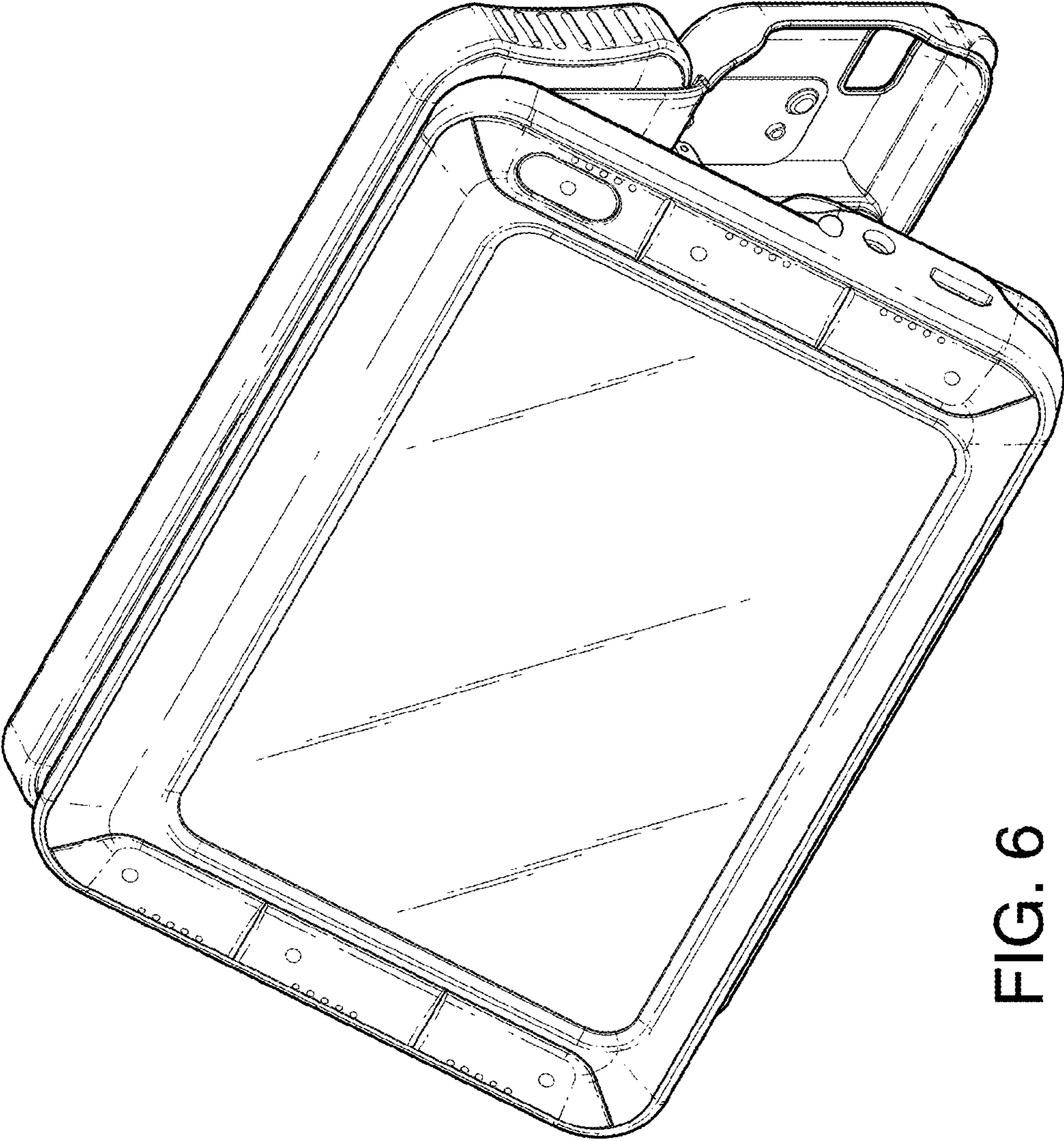


FIG. 6

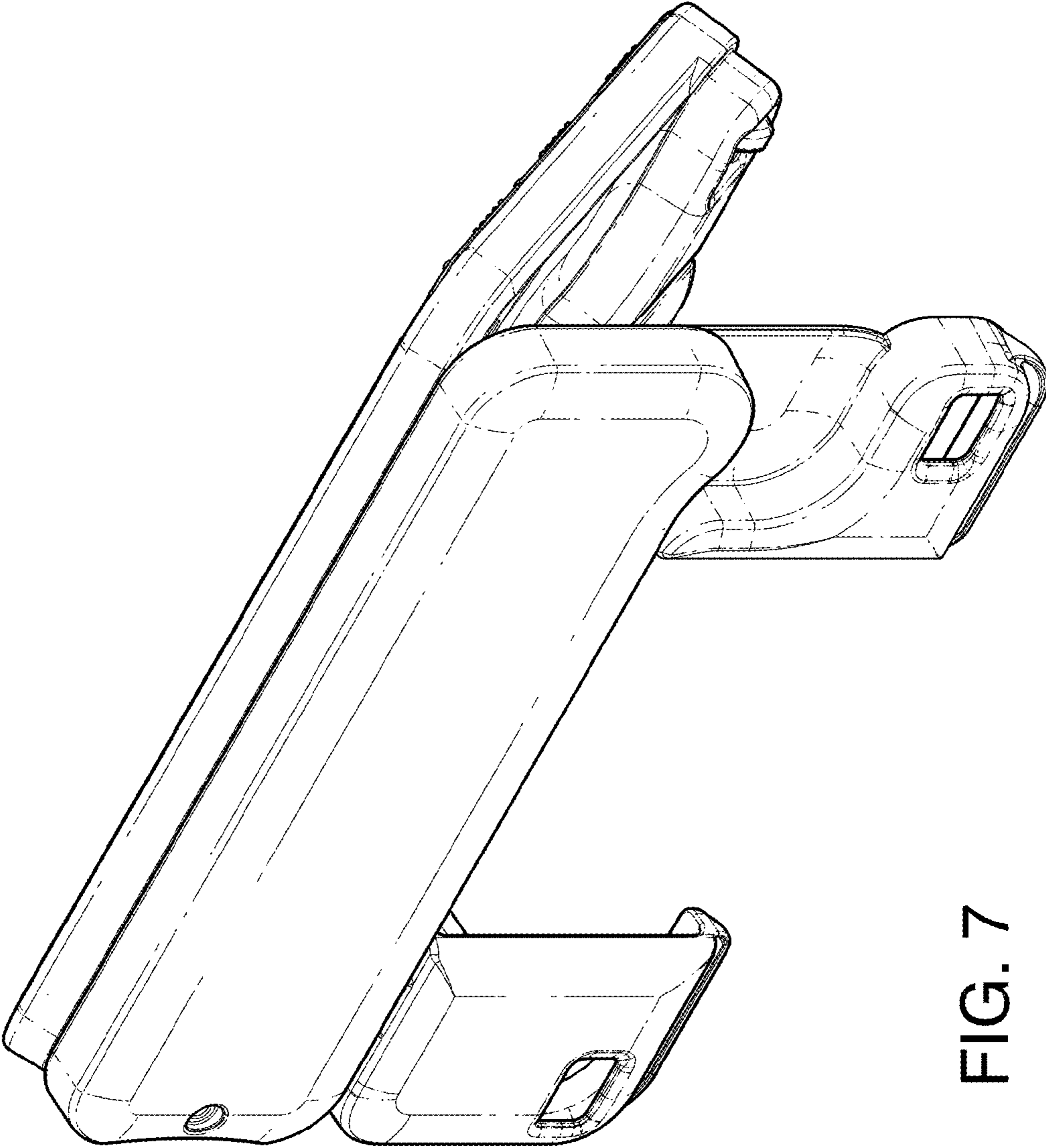


FIG. 7

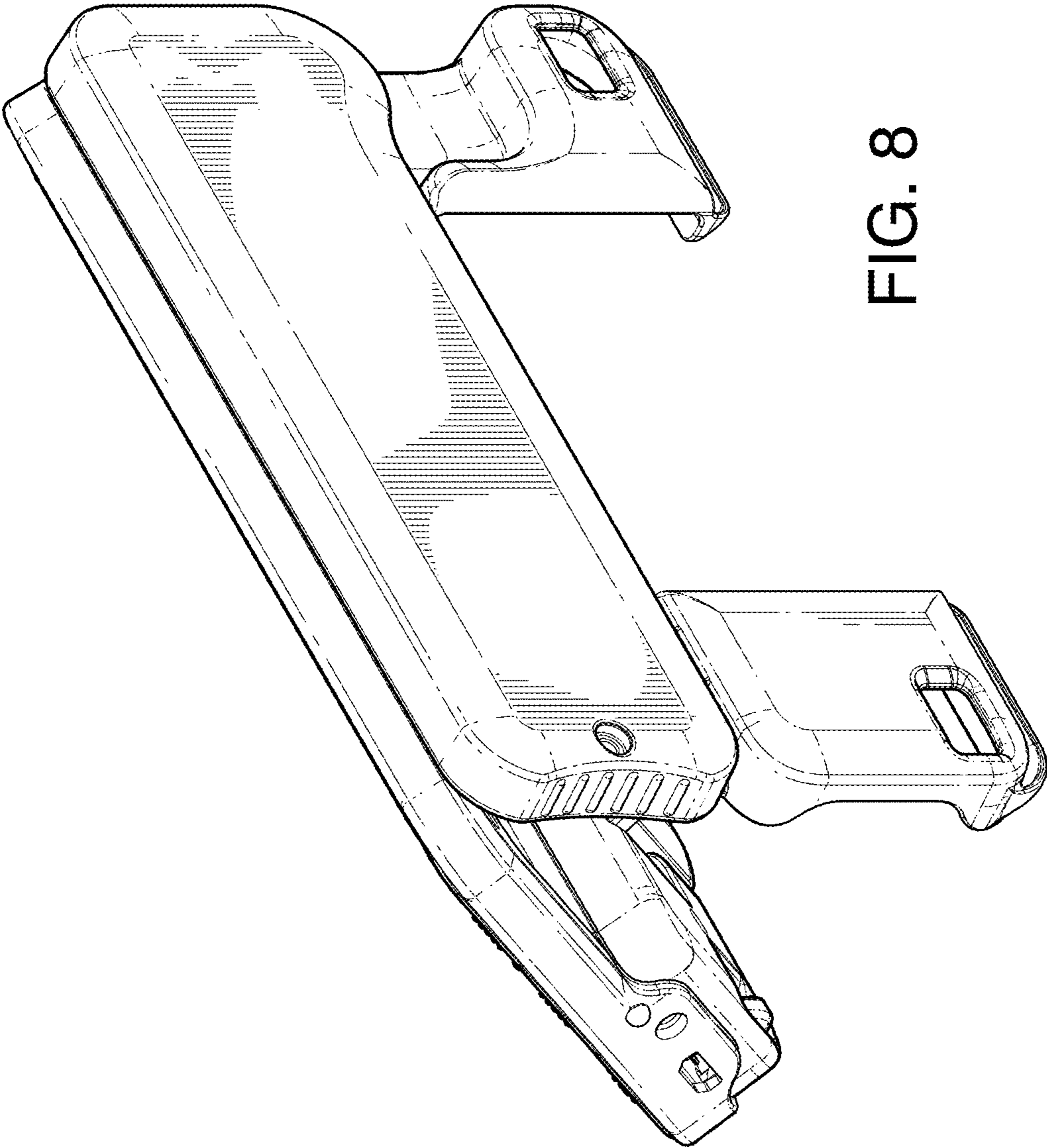


FIG. 8

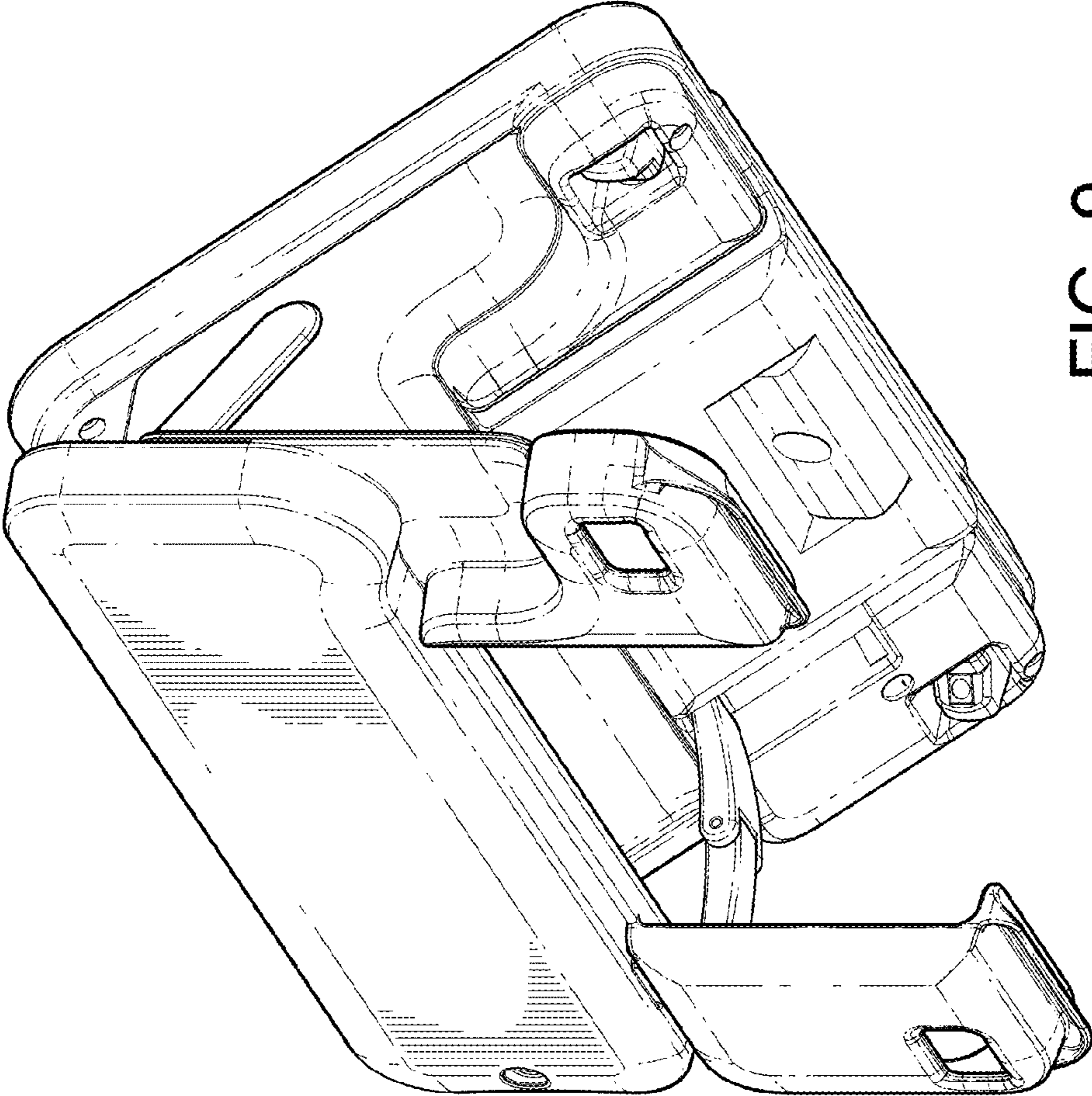


FIG. 9

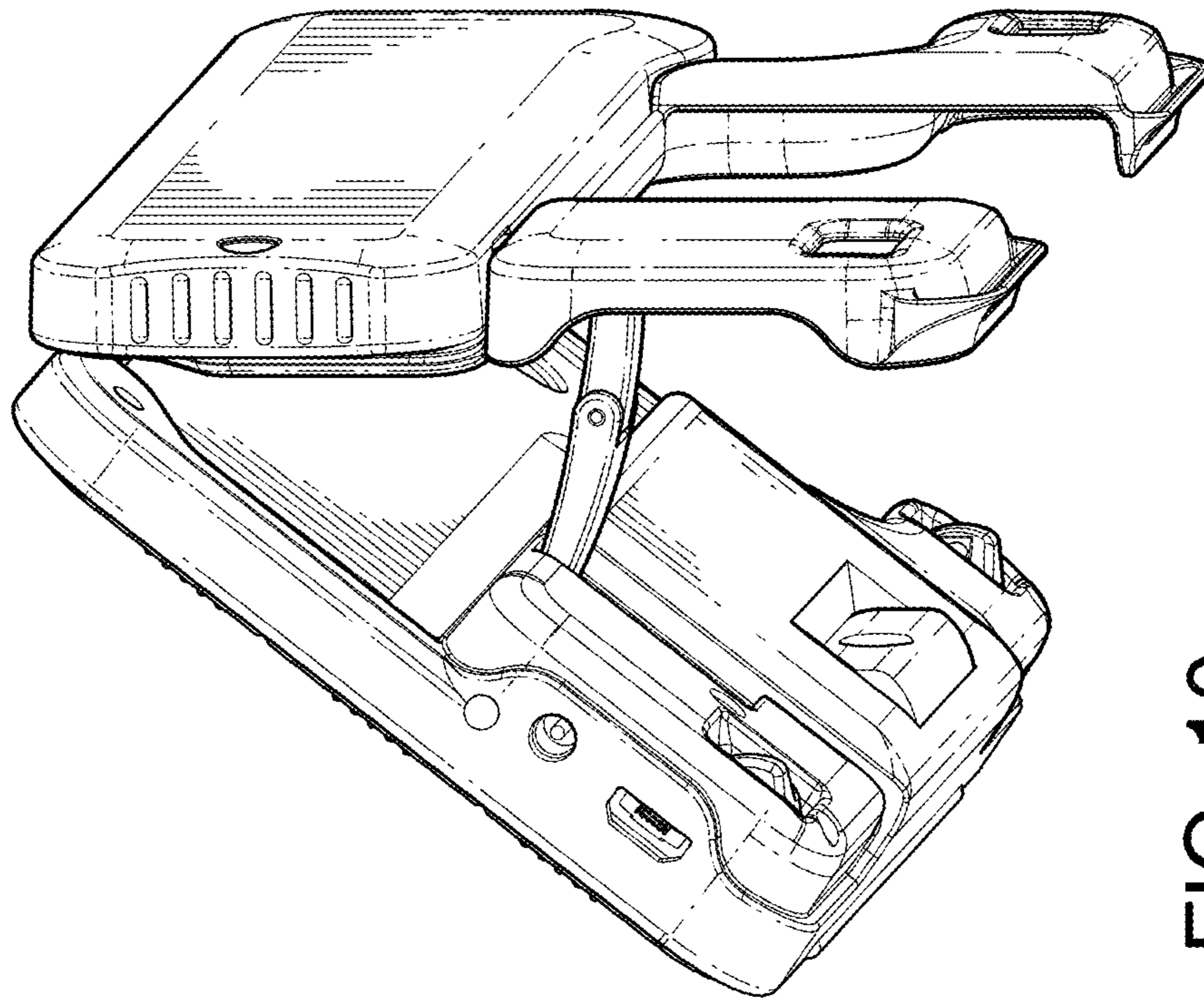


FIG. 10