



US00D709936S

(12) **United States Design Patent**
Sakai

(10) **Patent No.:** **US D709,936 S**
(45) **Date of Patent:** **** Jul. 29, 2014**

(54) **ELECTRONIC CAMERA**
(75) Inventor: **Hiroyuki Sakai**, Minato-ku (JP)
(73) Assignee: **FUJIFILM Corporation**, Tokyo (JP)
(**) Term: **14 Years**
(21) Appl. No.: **29/423,395**
(22) Filed: **May 31, 2012**

D581,440 S *	11/2008	Nakamura	D16/202
D594,892 S *	6/2009	Kamiya et al.	D16/202
D595,755 S *	7/2009	Funakoshi	D16/202
D605,679 S *	12/2009	Hayashi	D16/206
D609,730 S *	2/2010	Nakamura	D16/202
D611,977 S *	3/2010	Kim et al.	D16/202
7,729,610 B2 *	6/2010	Tomatsu	396/382
D620,036 S *	7/2010	Obata	D16/202
D671,583 S *	11/2012	Sakai	D16/202
D672,801 S *	12/2012	Nakamura et al.	D16/202
D672,802 S *	12/2012	Nojima et al.	D16/219

* cited by examiner

(30) **Foreign Application Priority Data**

Dec. 8, 2011 (JP) 2011-028524

(51) **LOC (10) Cl.** **16-01**
(52) **U.S. Cl.**
USPC **D16/202**

(58) **Field of Classification Search**
USPC D16/200, 202, 204, 206, 216, 217, 218;
348/373, 374, 375, 376; 358/909.1;
396/176, 177, 178, 354, 535
See application file for complete search history.

(56) **References Cited**

U.S. PATENT DOCUMENTS

D493,809 S *	8/2004	Ogura	D16/202
D537,857 S *	3/2007	Nakamura	D16/202
D547,783 S *	7/2007	Sakai	D16/202
D560,239 S *	1/2008	Kim et al.	D16/202
D563,445 S *	3/2008	Sakai	D16/202
D568,363 S *	5/2008	Funakoshi	D16/217
D570,891 S *	6/2008	Miyahara et al.	D16/202

Primary Examiner — Phillip S Hyder

(74) *Attorney, Agent, or Firm* — Sughrue Mion, PLLC

(57) **CLAIM**

The ornamental design for a electronic camera, as shown and described.

DESCRIPTION

FIG. 1 is a top, front and side perspective view of an electronic camera showing my new design;
FIG. 2 is a front elevational view thereof;
FIG. 3 is a rear elevational view thereof;
FIG. 4 is a top plan view thereof;
FIG. 5 is a bottom plan view thereof;
FIG. 6 is a left side elevational view thereof;
FIG. 7 is a right side elevational view thereof; and,
FIG. 8 is a top, front and side perspective view thereof showing a manner that a lens barrel is withdrawn.
The broken lines illustrate portions of the electronic camera that form no part of the claimed design.

1 Claim, 8 Drawing Sheets

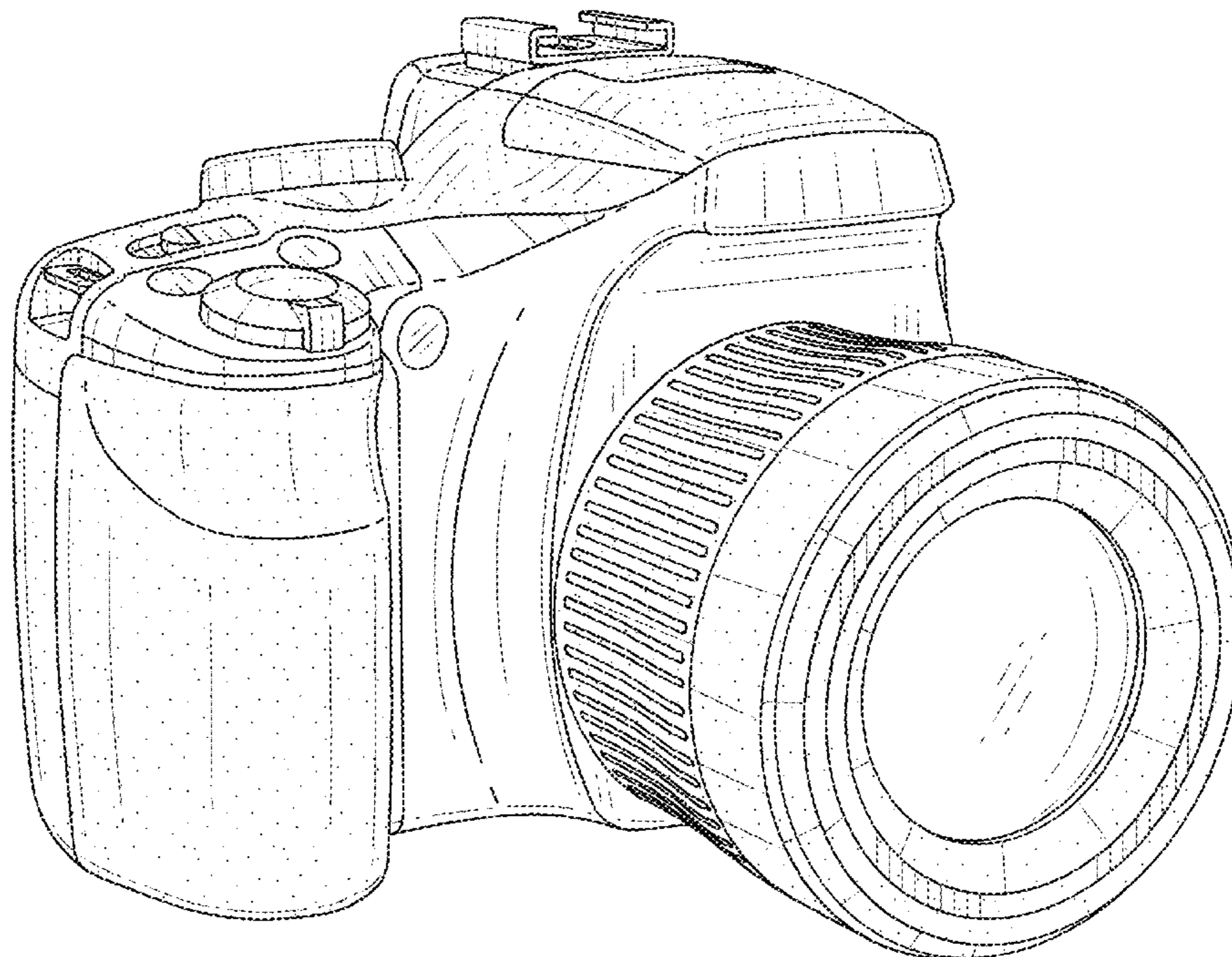


FIG. 1

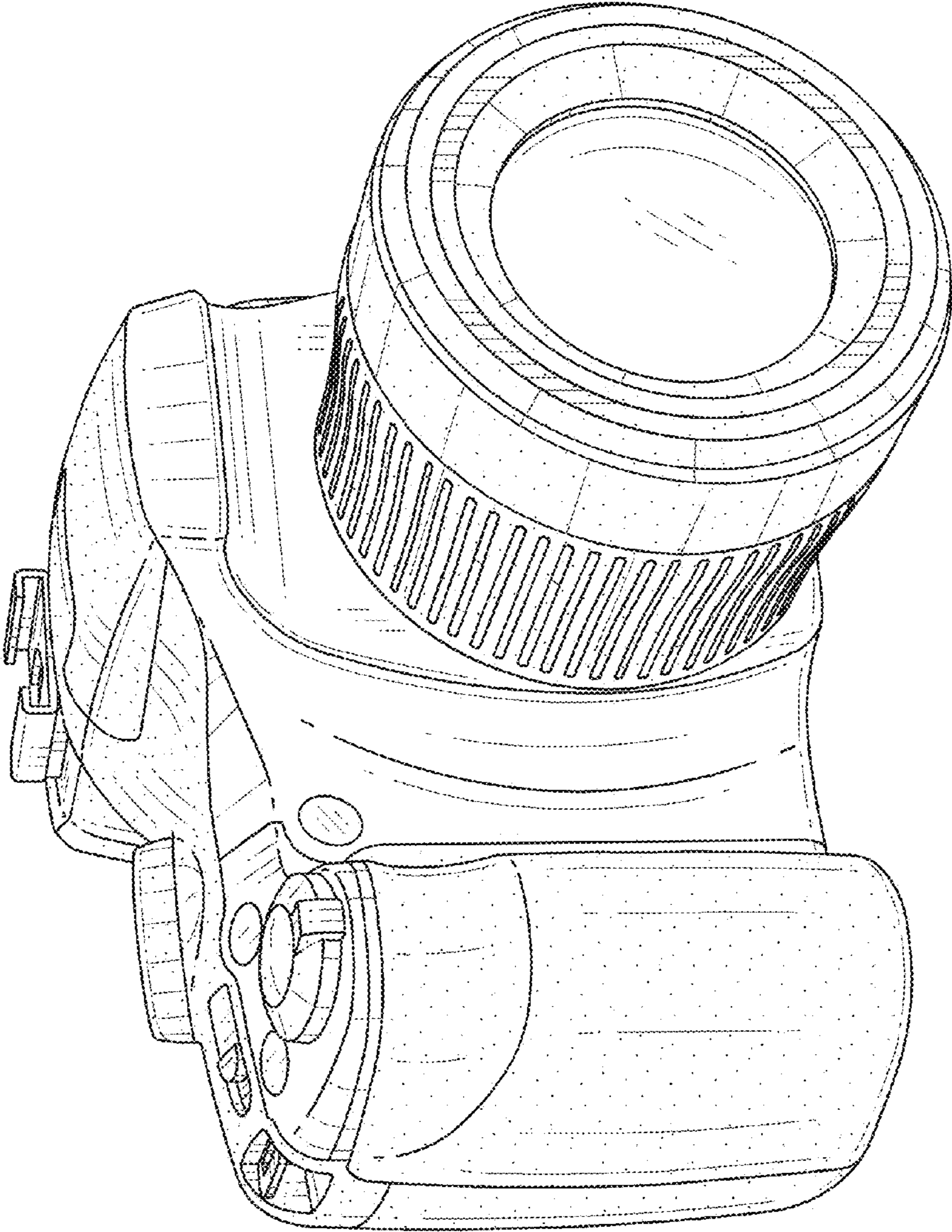


FIG. 2

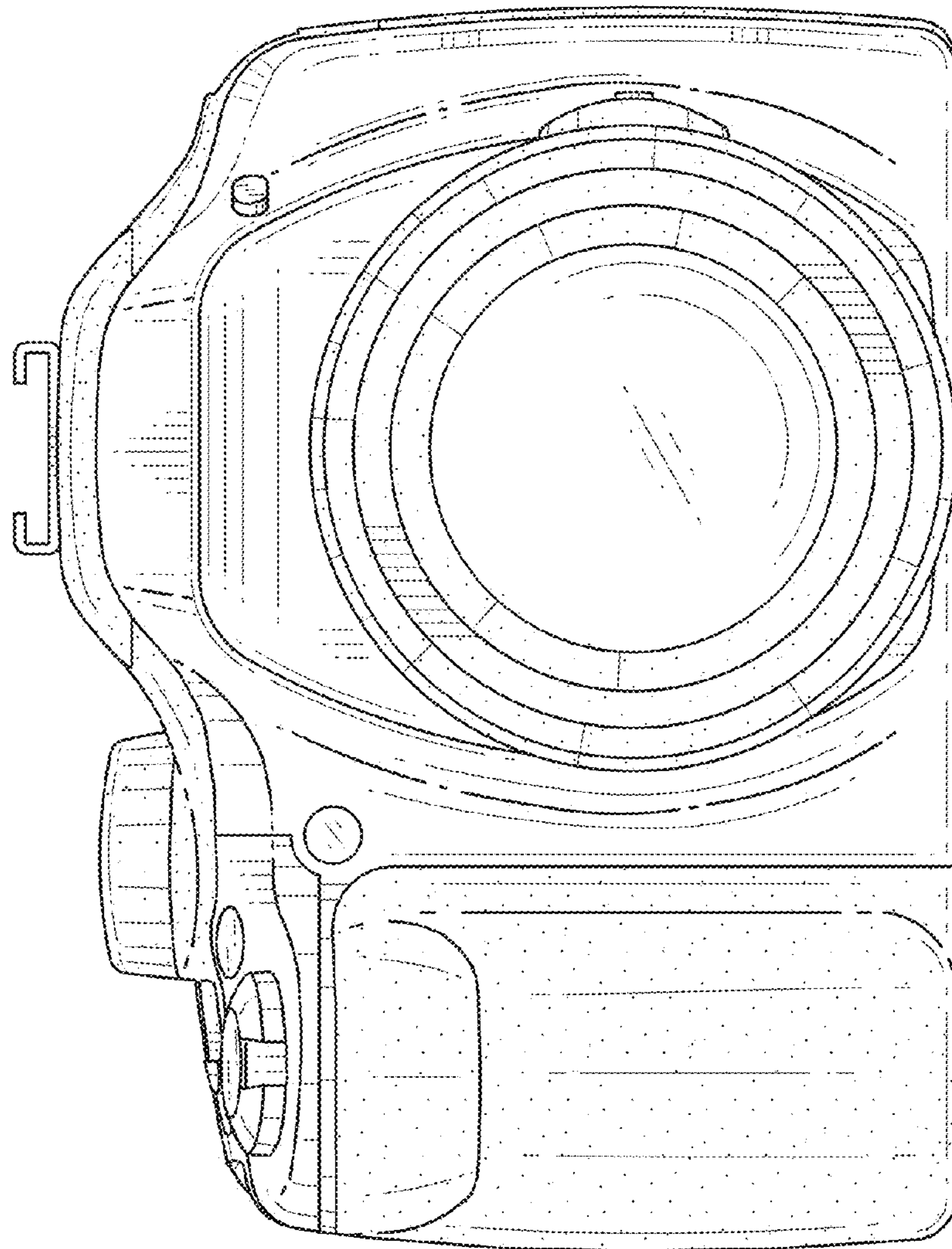


FIG. 3

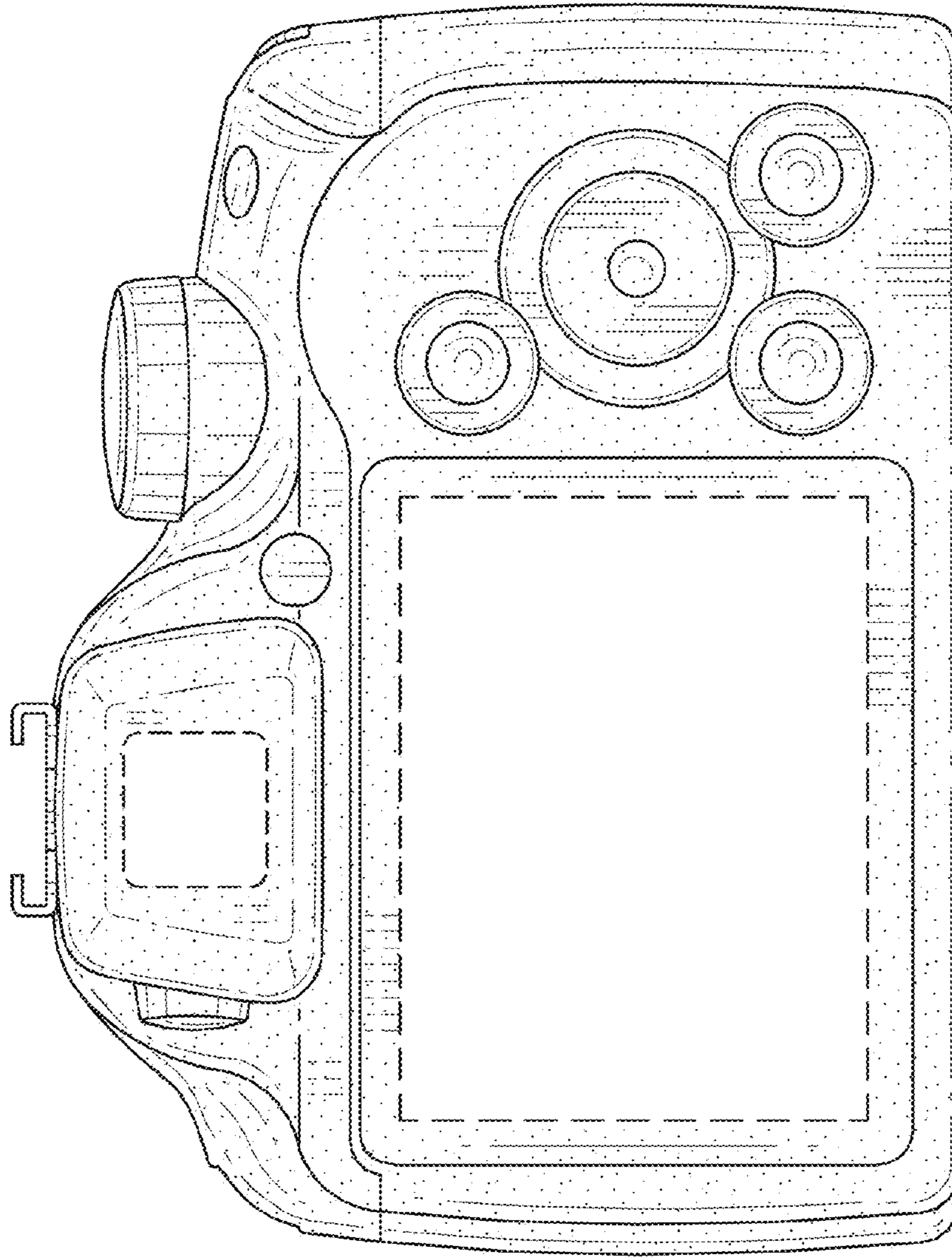


FIG. 4

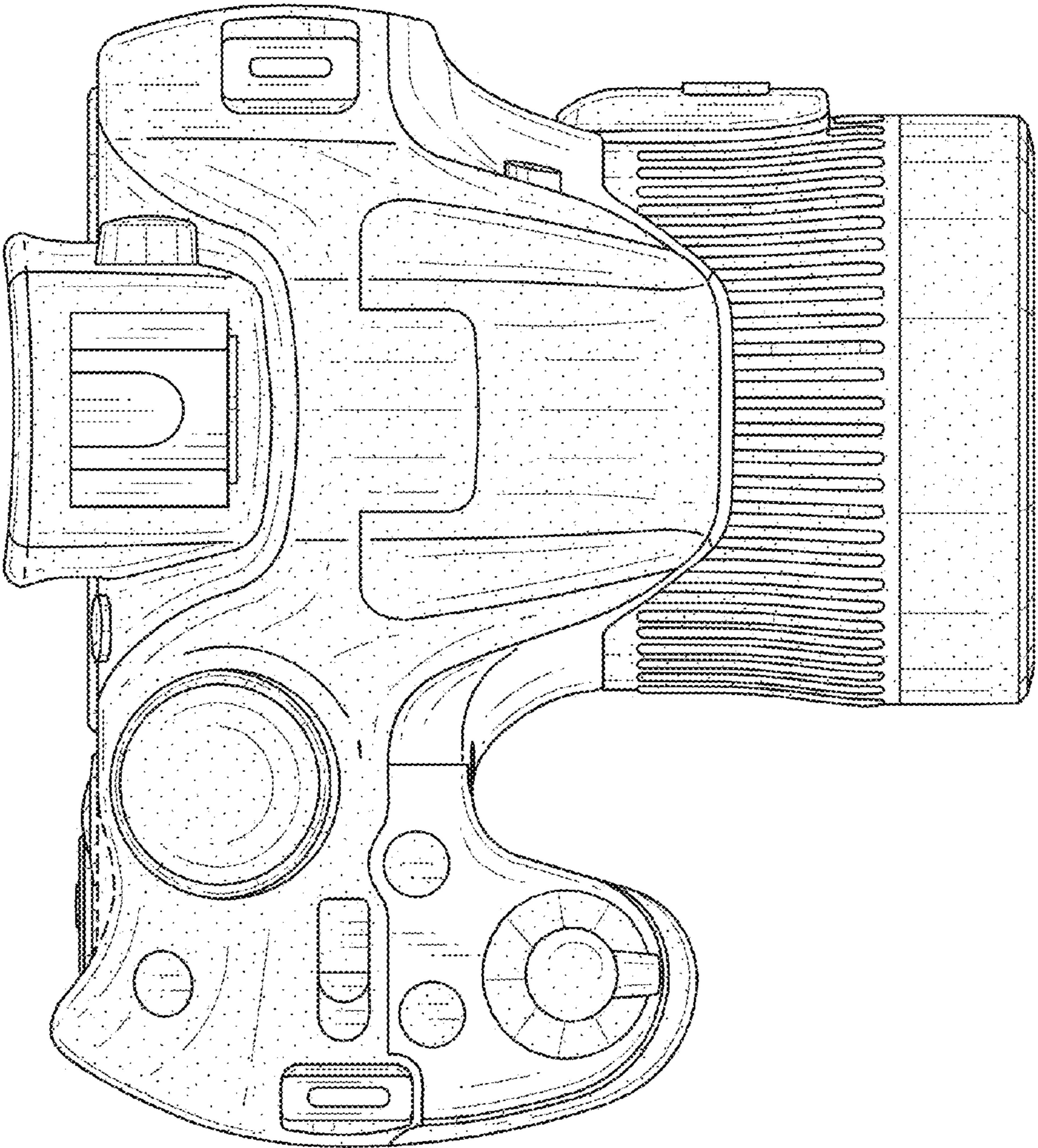


FIG. 5

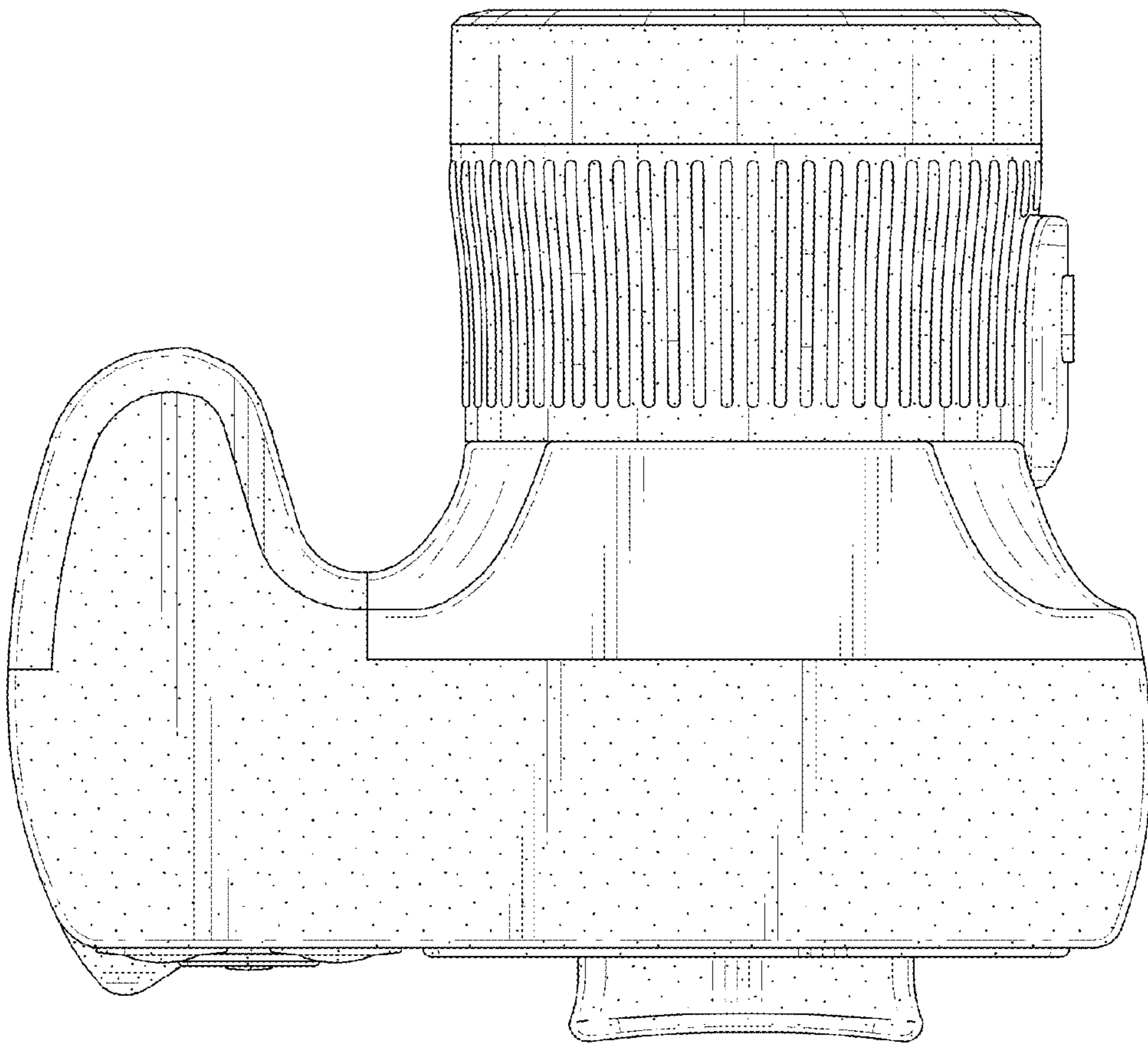


FIG. 6

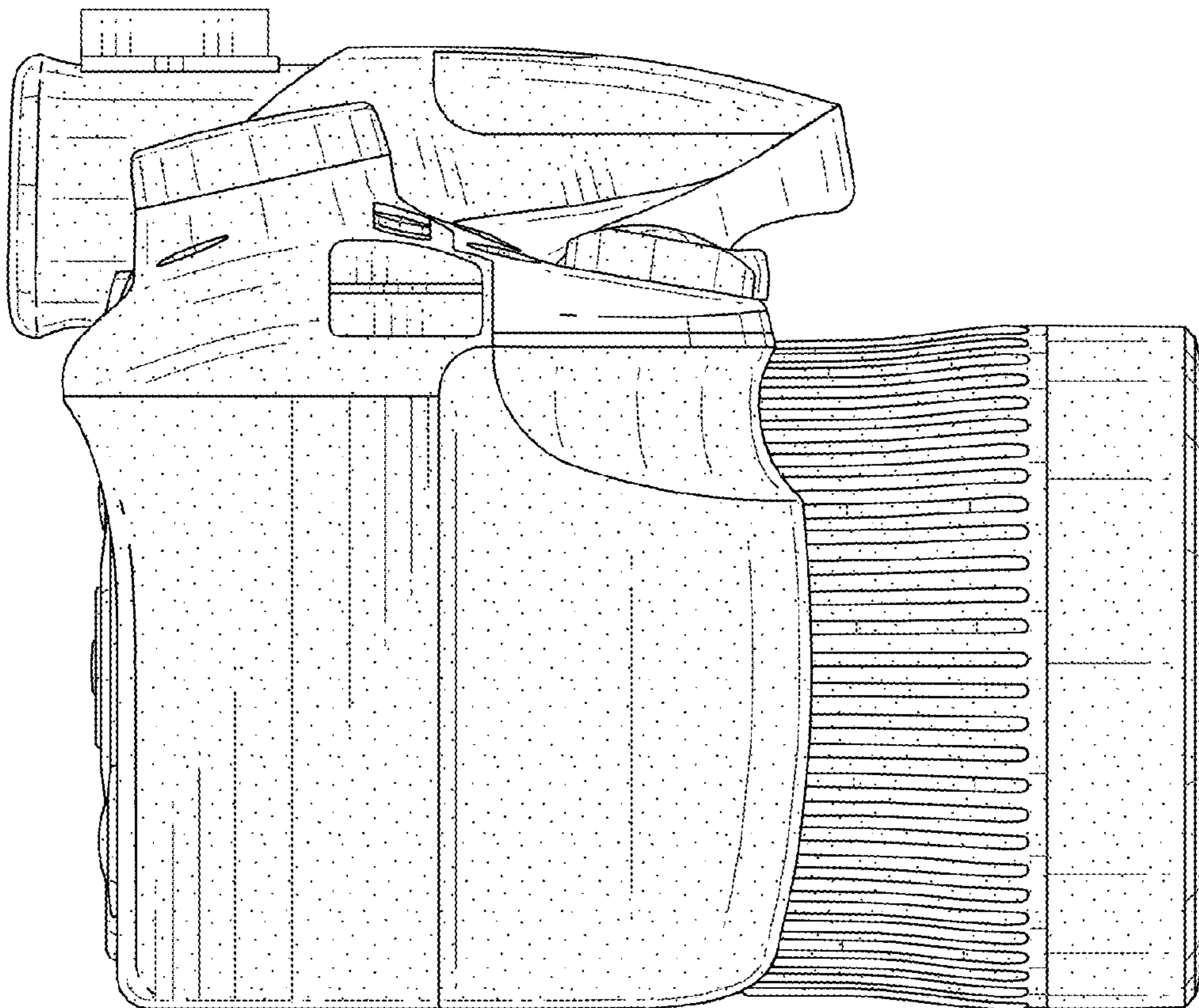


FIG. 7

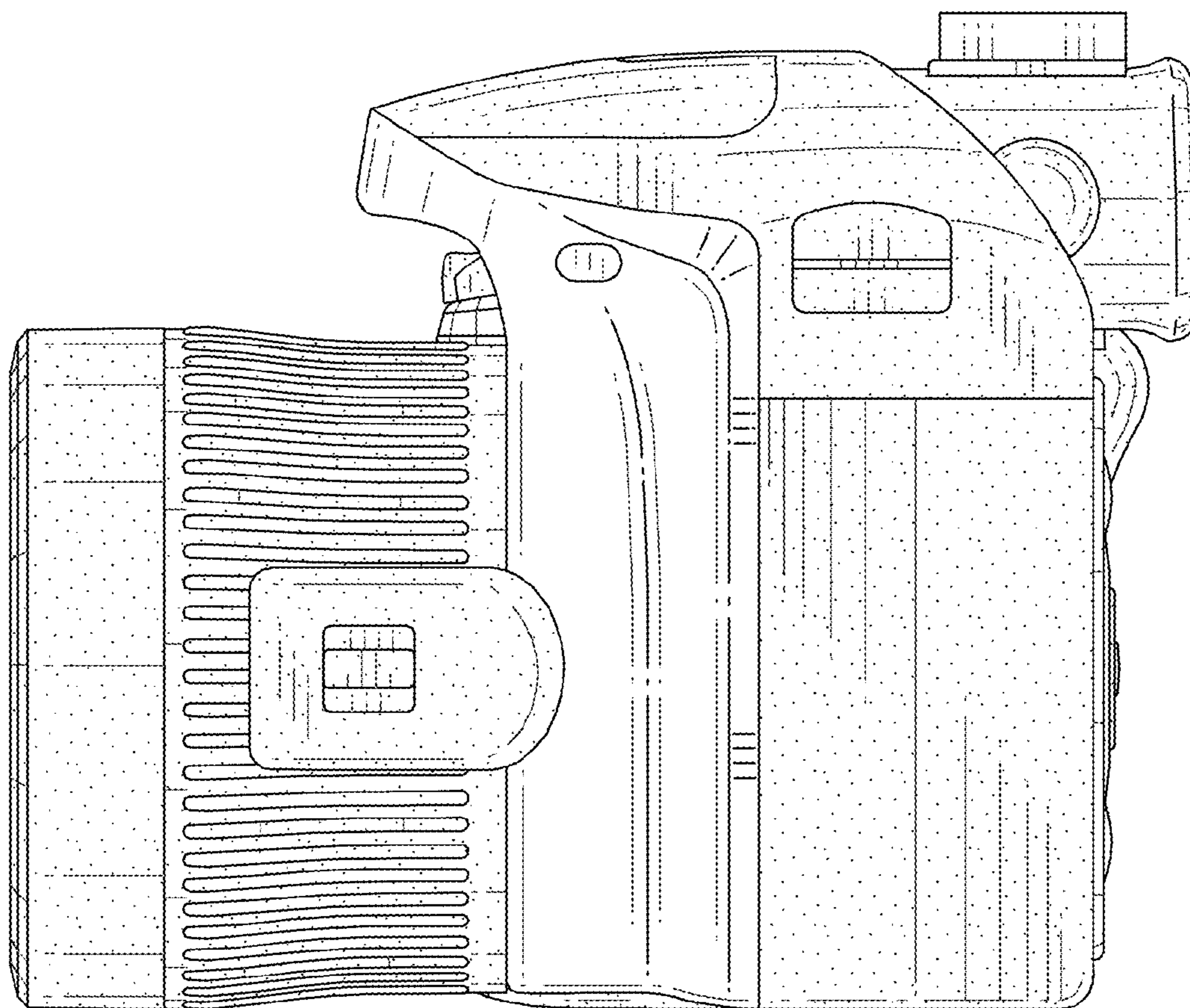


FIG. 8

