



US00D709935S

(12) **United States Design Patent**  
**Stevens**

(10) **Patent No.:** **US D709,935 S**

(45) **Date of Patent:** **\*\* \*Jul. 29, 2014**

(54) **HYDRAULIC TENSIONER**

(75) Inventor: **Jason P. Stevens**, Lichfield (GB)

(73) Assignee: **Actuant Corporation**, Menomonee Falls, WI (US)

(\* ) Notice: This patent is subject to a terminal disclaimer.

(\*\*) Term: **14 Years**

(21) Appl. No.: **29/385,308**

(22) Filed: **Feb. 11, 2011**

6,234,158 B1 5/2001 Summers  
6,629,687 B1 10/2003 Gage  
D499,592 S 12/2004 Sale, Jr.  
D500,275 S 12/2004 Martinez et al.  
7,174,799 B2 2/2007 Yoshida et al.  
D574,260 S 8/2008 Grotell et al.

(Continued)

*Primary Examiner* — Patricia Palasik

(74) *Attorney, Agent, or Firm* — Michael Best & Friedrich LLP

(57) **CLAIM**

The ornamental design for a hydraulic tensioner, as shown and described.

**DESCRIPTION**

**Related U.S. Application Data**

(63) Continuation of application No. 29/341,722, filed on Aug. 11, 2009, now Pat. No. Des. 633,536, which is a continuation of application No. 29/318,222, filed on May 15, 2008, now Pat. No. Des. 601,600.

(51) **LOC (10) Cl.** ..... **15-99**

(52) **U.S. Cl.**  
USPC ..... **D15/199**

(58) **Field of Classification Search**  
USPC ..... D8/14, 105, 106, 382, 397; D15/199;  
D21/503; 81/57.11, 57.38, 57.39,  
81/57.44, 479; 411/432, 433, 434;  
474/109, 110

See application file for complete search history.

(56) **References Cited**

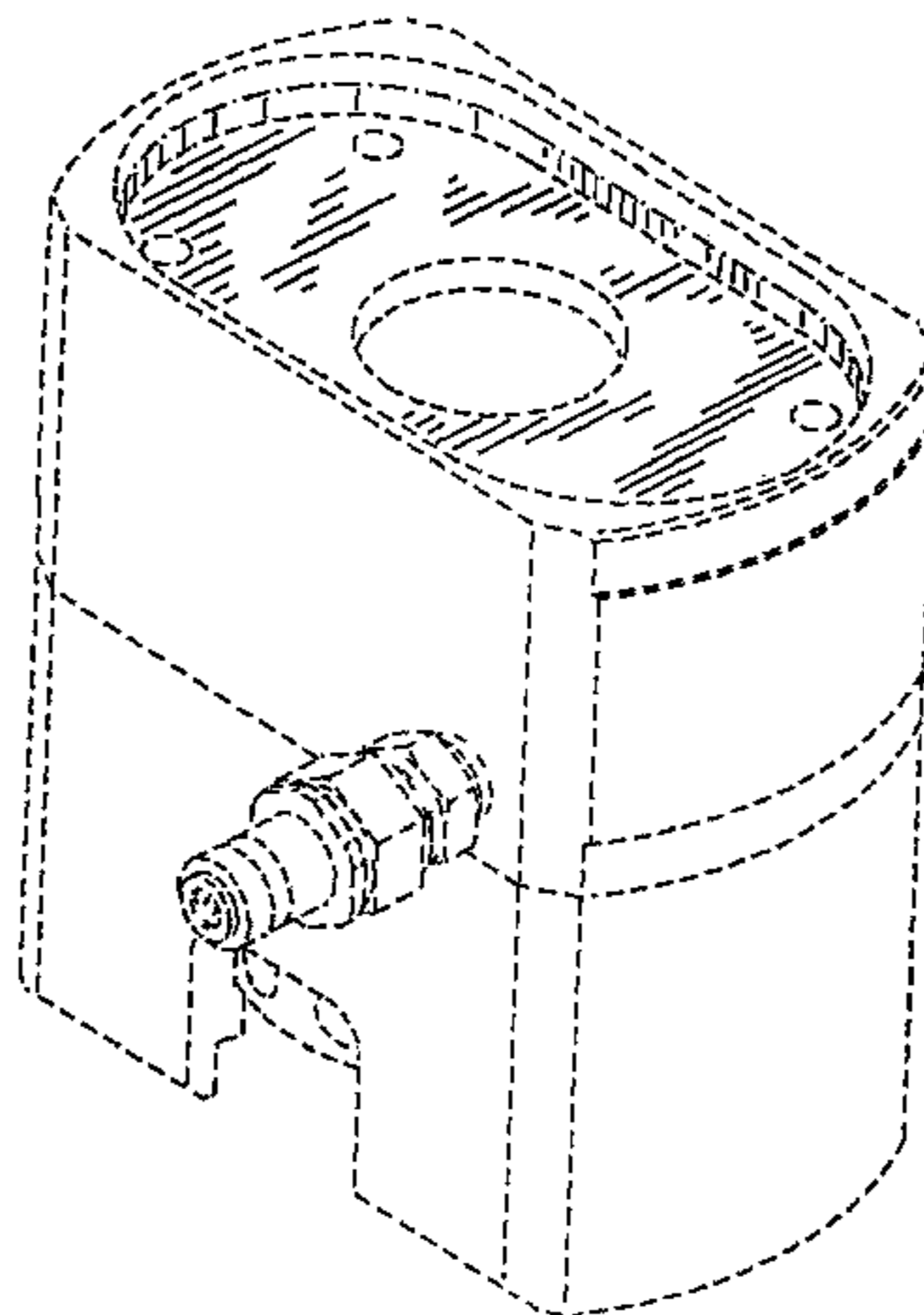
**U.S. PATENT DOCUMENTS**

2,593,454 A 4/1952 Hyser  
4,014,942 A 3/1977 Labovitz et al.  
D286,355 S 10/1986 Bussell  
4,998,453 A 3/1991 Walton et al.  
5,628,701 A 5/1997 Dembosky et al.  
D382,663 S 8/1997 Barry  
5,690,458 A 11/1997 Junkers  
D389,350 S 1/1998 Davis et al.  
5,712,767 A 1/1998 Koizumi

FIG. 1 is a right, top, front perspective view of a hydraulic tensioner embodying my new design;  
FIG. 2 is a front elevational view thereof;  
FIG. 3 is a right side elevational view thereof, the left side elevational view thereof being a mirror image of the right side shown;  
FIG. 4 is a rear elevational view thereof;  
FIG. 5 is a top plan view thereof;  
FIG. 6 is a bottom plan view thereof;  
FIG. 7 is a right, top, front perspective view of a hydraulic tensioner according to another embodiment of my new design;  
FIG. 8 is a right, top, front perspective view thereof with top environment removed;  
FIG. 9 is a front elevational view thereof;  
FIG. 10 is a right side elevational view thereof, the left side elevational view thereof being a mirror image of the right side shown;  
FIG. 11 is a rear elevational view thereof;  
FIG. 12 is a top plan view thereof; and,  
FIG. 13 is a bottom plan view thereof.

The broken lines in the figures are for the purpose of illustrating unclaimed lines, surfaces or environment of the design. The broken lines are thus not part of the claim.

**1 Claim, 9 Drawing Sheets**



(56)

**References Cited**

U.S. PATENT DOCUMENTS

D588,160 S 3/2009 Beale et al.  
D601,600 S \* 10/2009 Stevens ..... D15/199  
D633,536 S \* 3/2011 Stevens ..... D15/199  
2002/0054976 A1 5/2002 Nakamura et al.  
2002/0174955 A1 11/2002 Hummell et al.  
2005/0049094 A1 3/2005 Seungpyo  
2005/0130777 A1 6/2005 Grunau et al.

2005/0215370 A1 9/2005 Seungpyo  
2005/0239589 A1 10/2005 Seungpyo et al.  
2005/0255952 A1 11/2005 Yoshida  
2007/0099736 A1 5/2007 Hallen  
2007/0249444 A1 10/2007 Yoshida et al.  
2008/0015069 A1 1/2008 Kroon et al.  
2008/0119309 A1 5/2008 Kern et al.  
2008/0207365 A1 8/2008 Namie et al.  
2009/0075768 A1 3/2009 D'Silva et al.

\* cited by examiner

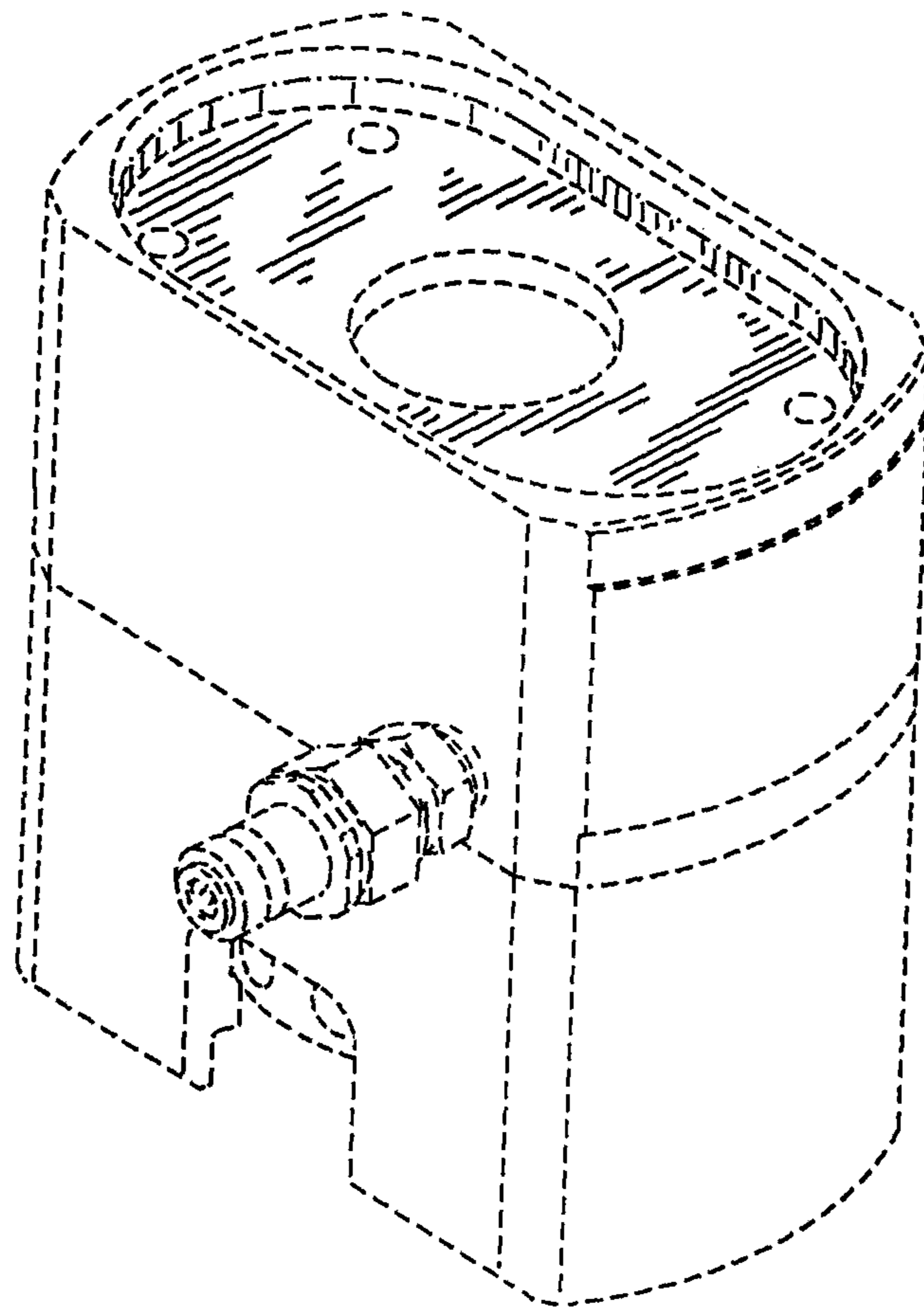


FIG. 1

FIG. 2

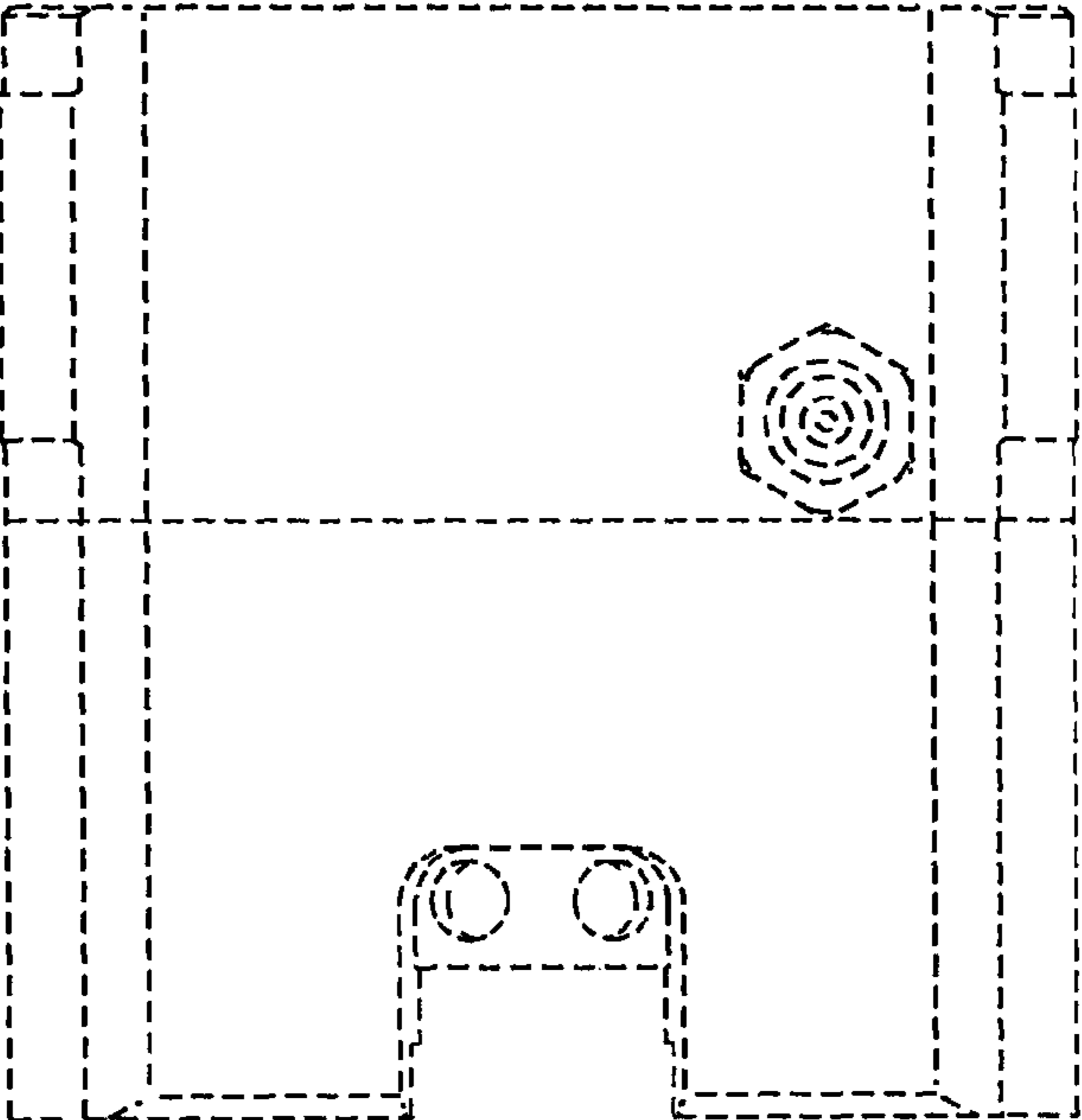


FIG. 3

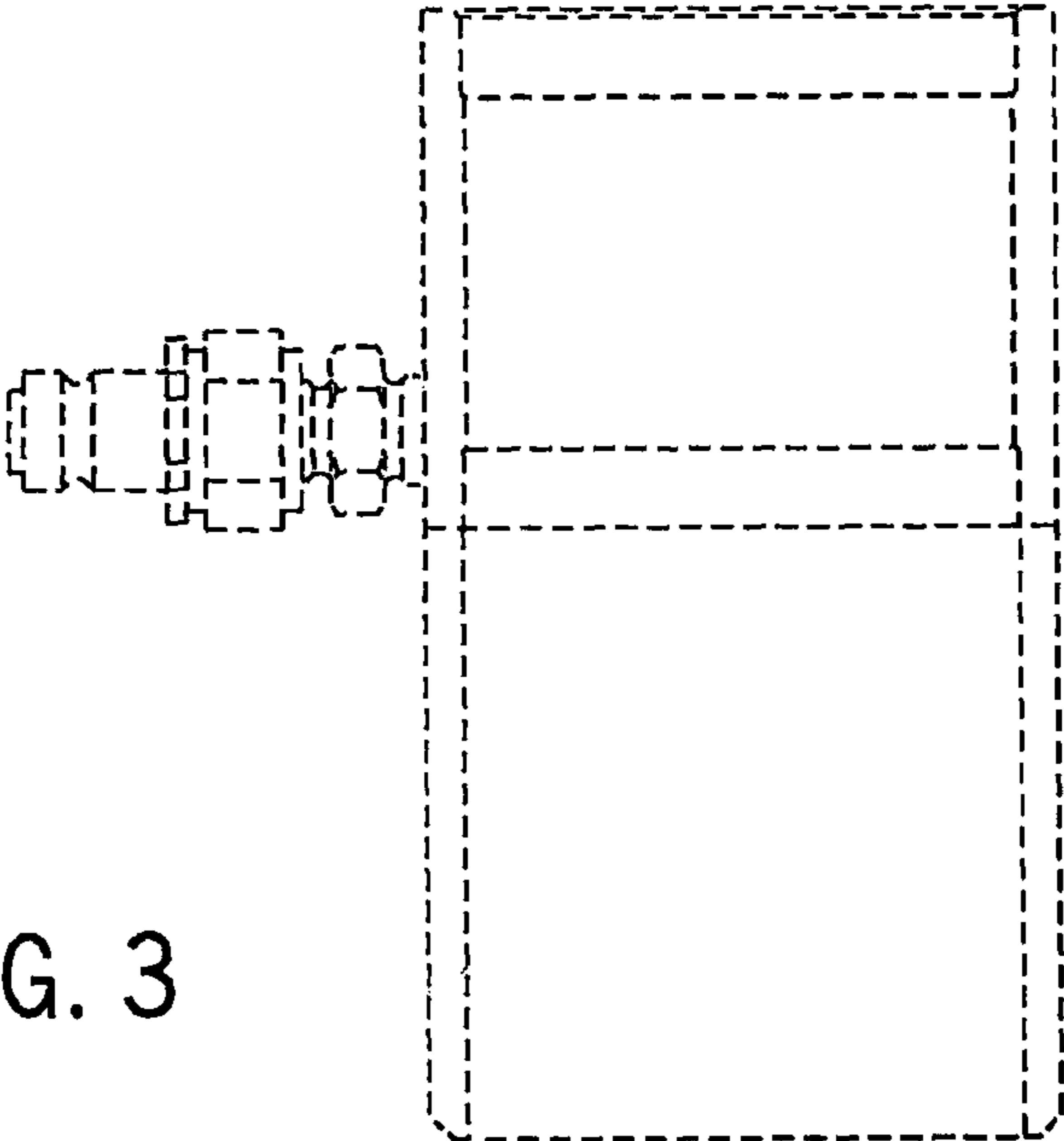


FIG. 4

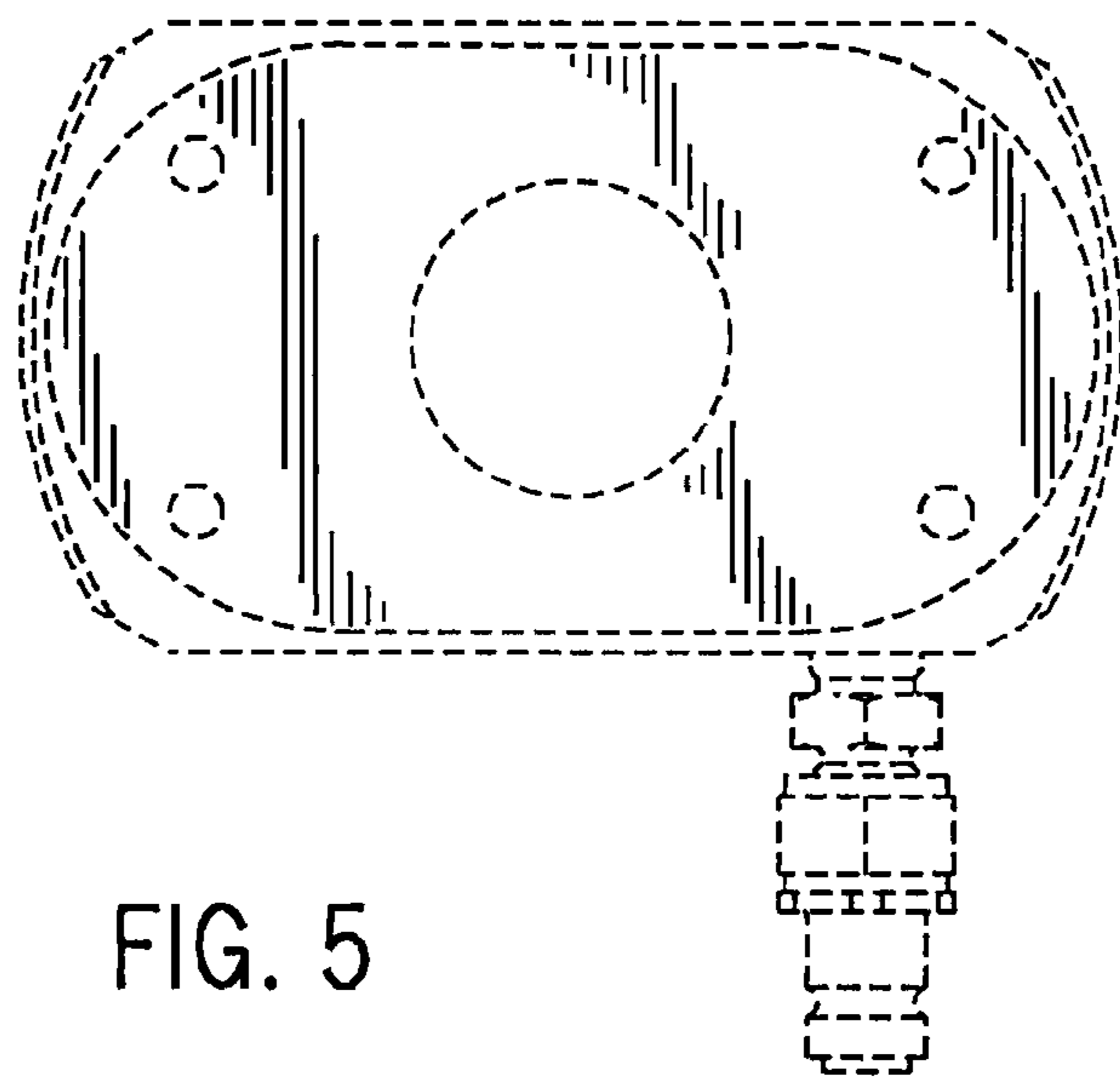
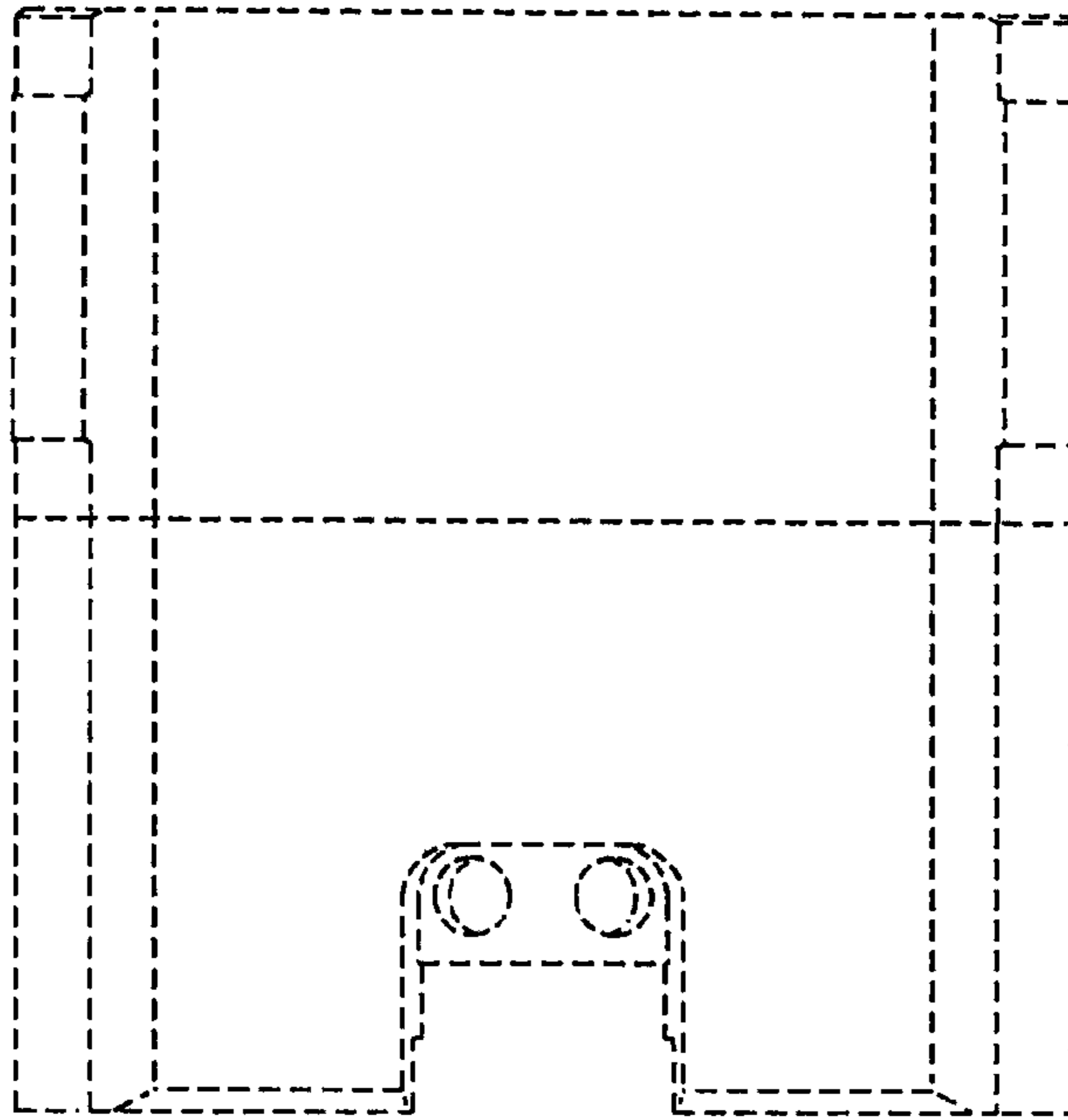


FIG. 5

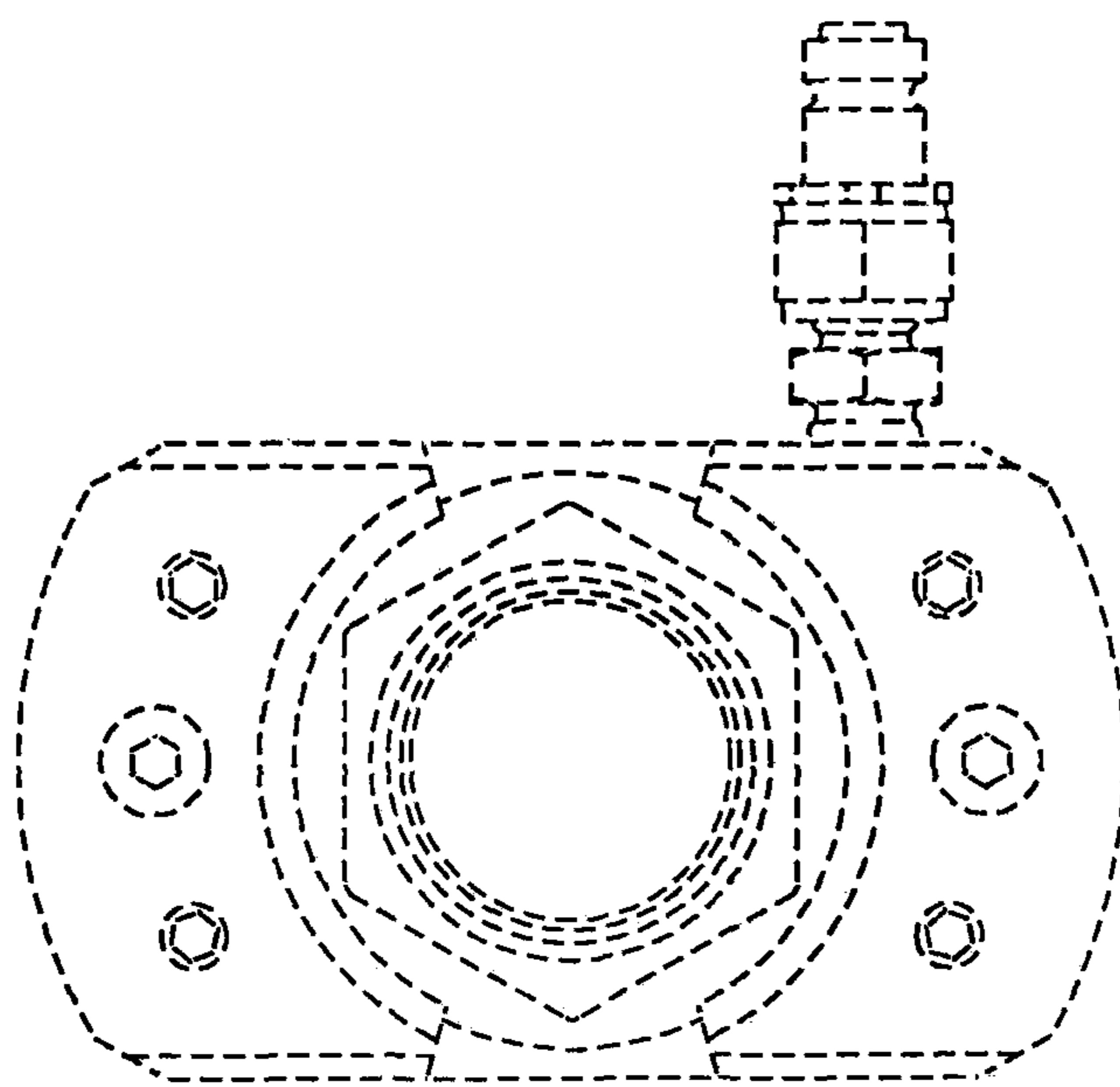


FIG. 6

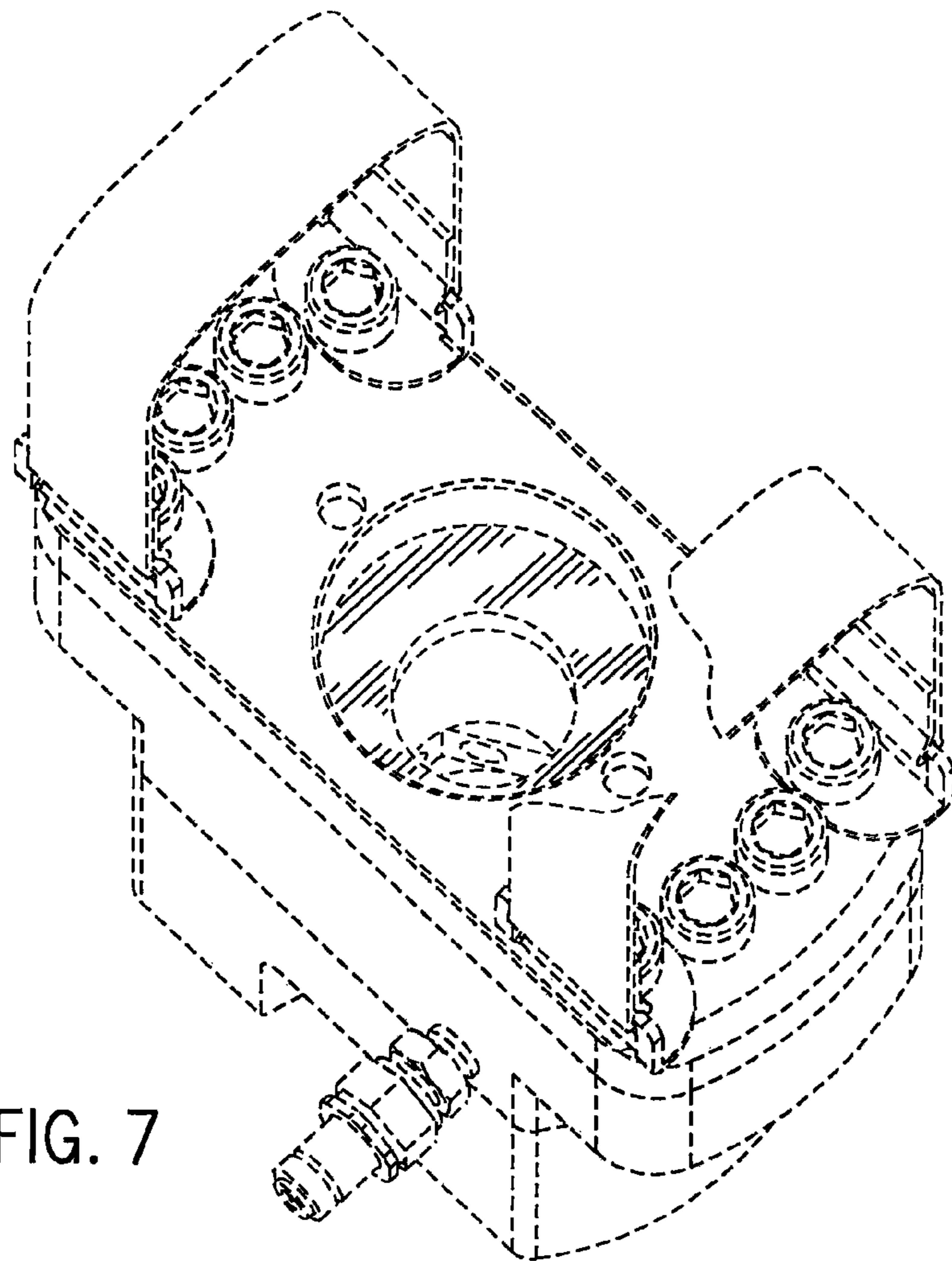


FIG. 7

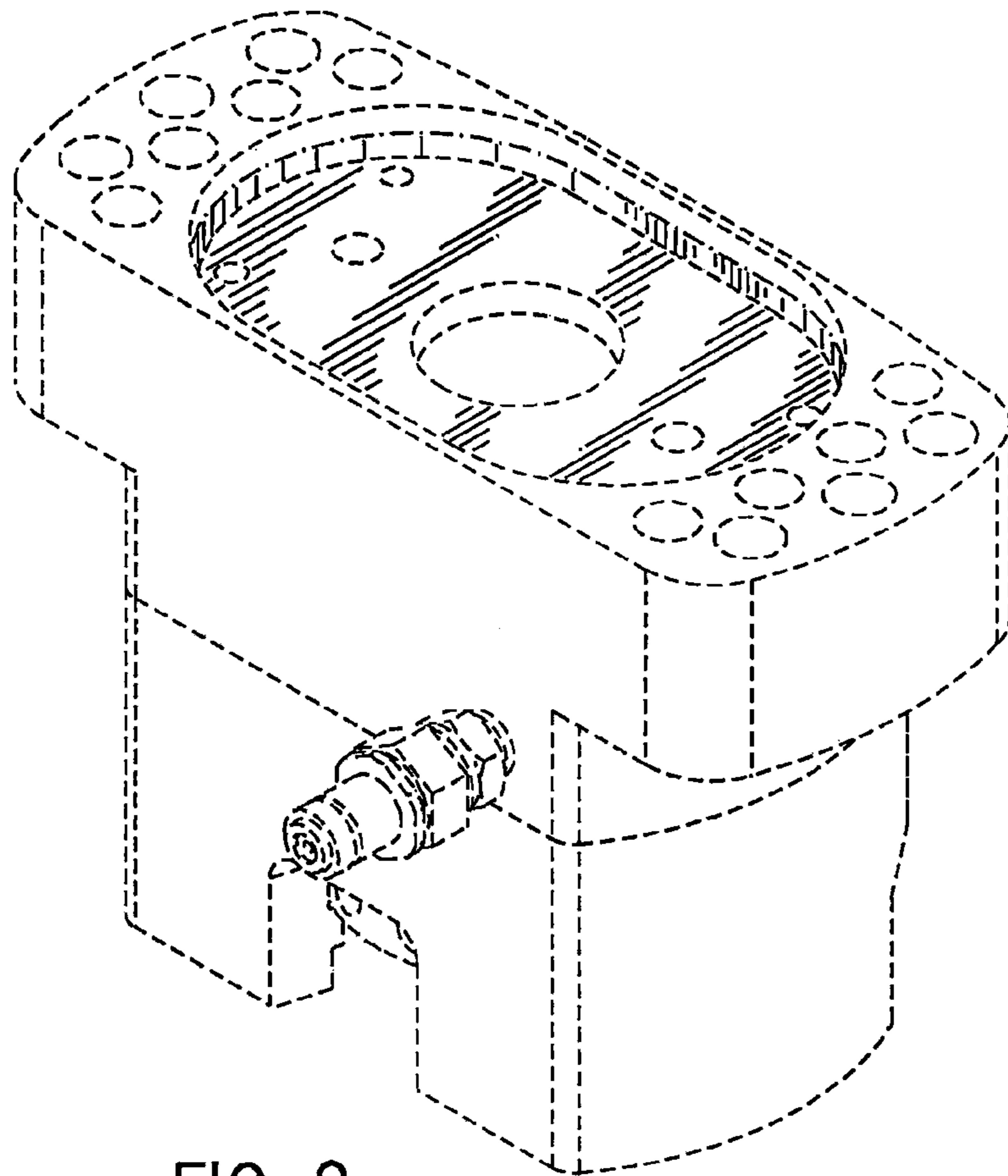


FIG. 8



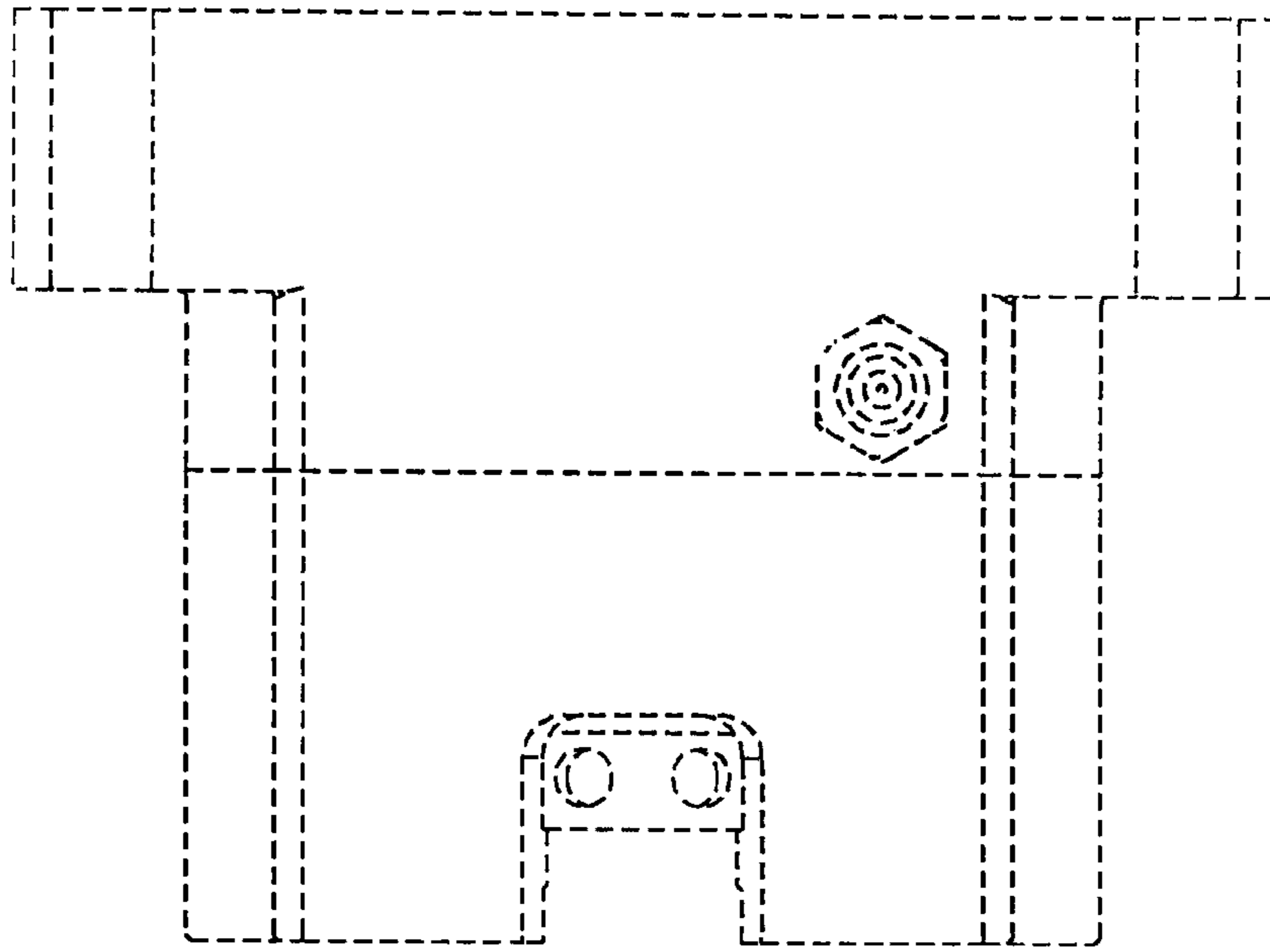


FIG. 9

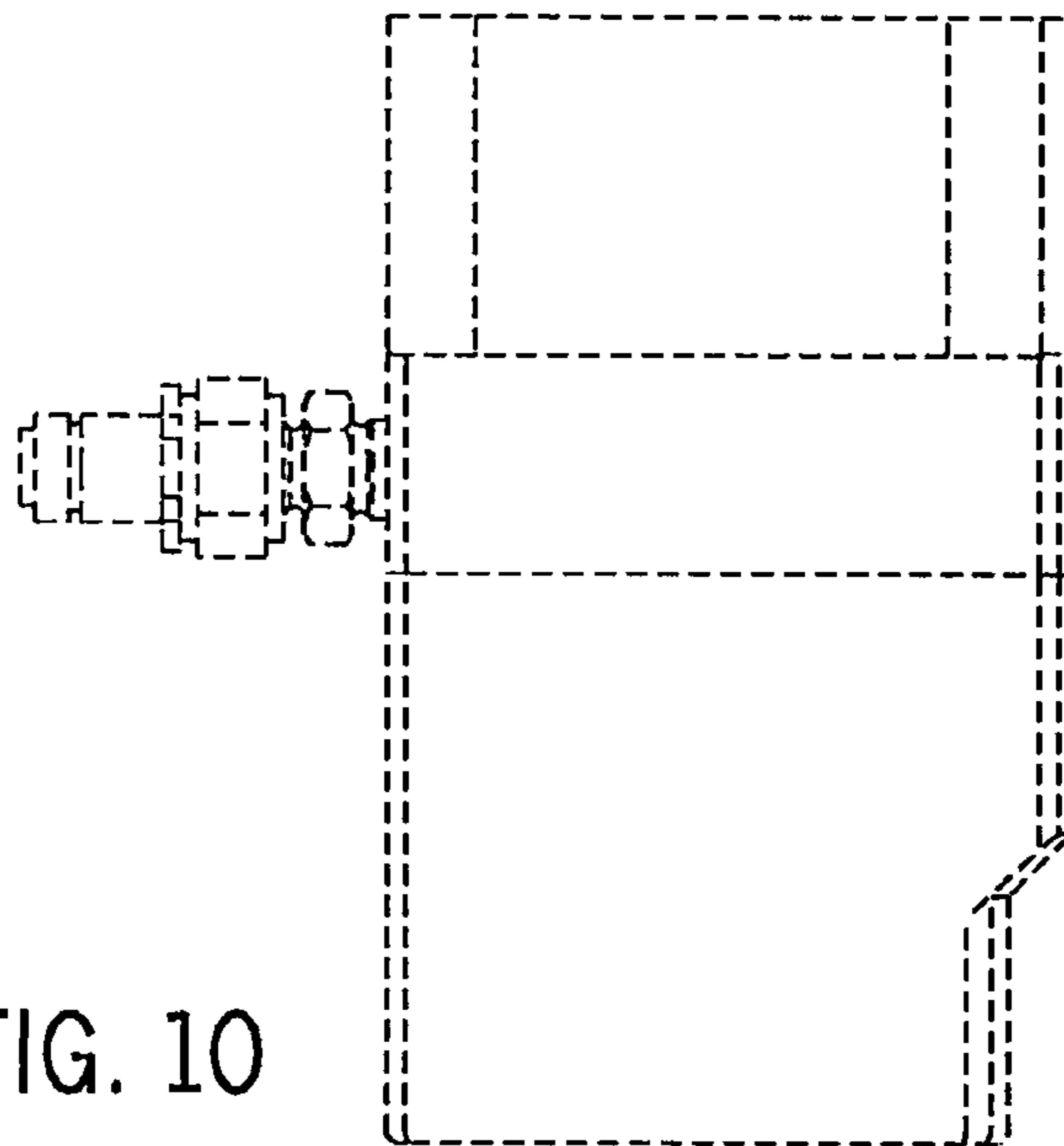


FIG. 10

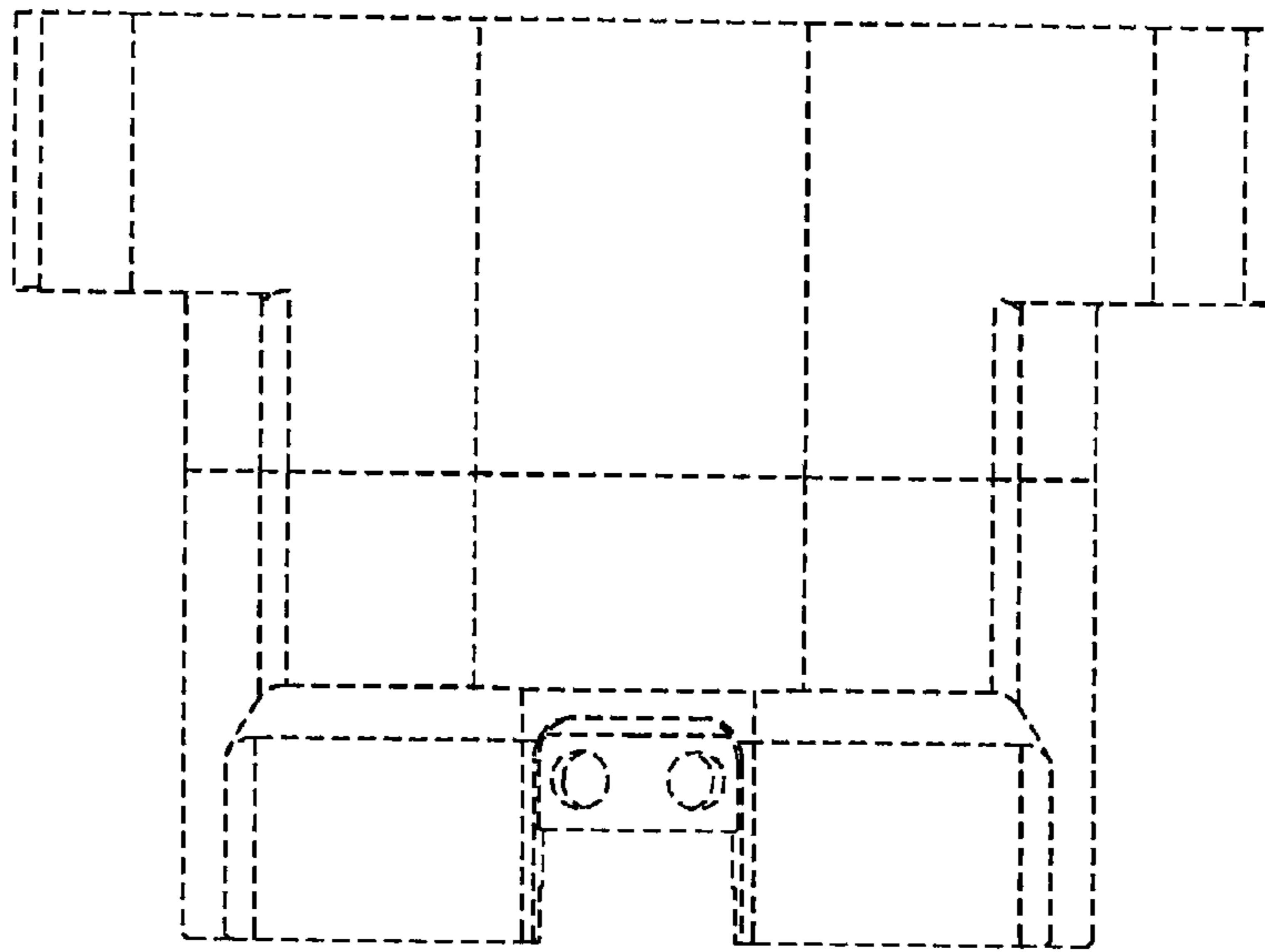


FIG. 11

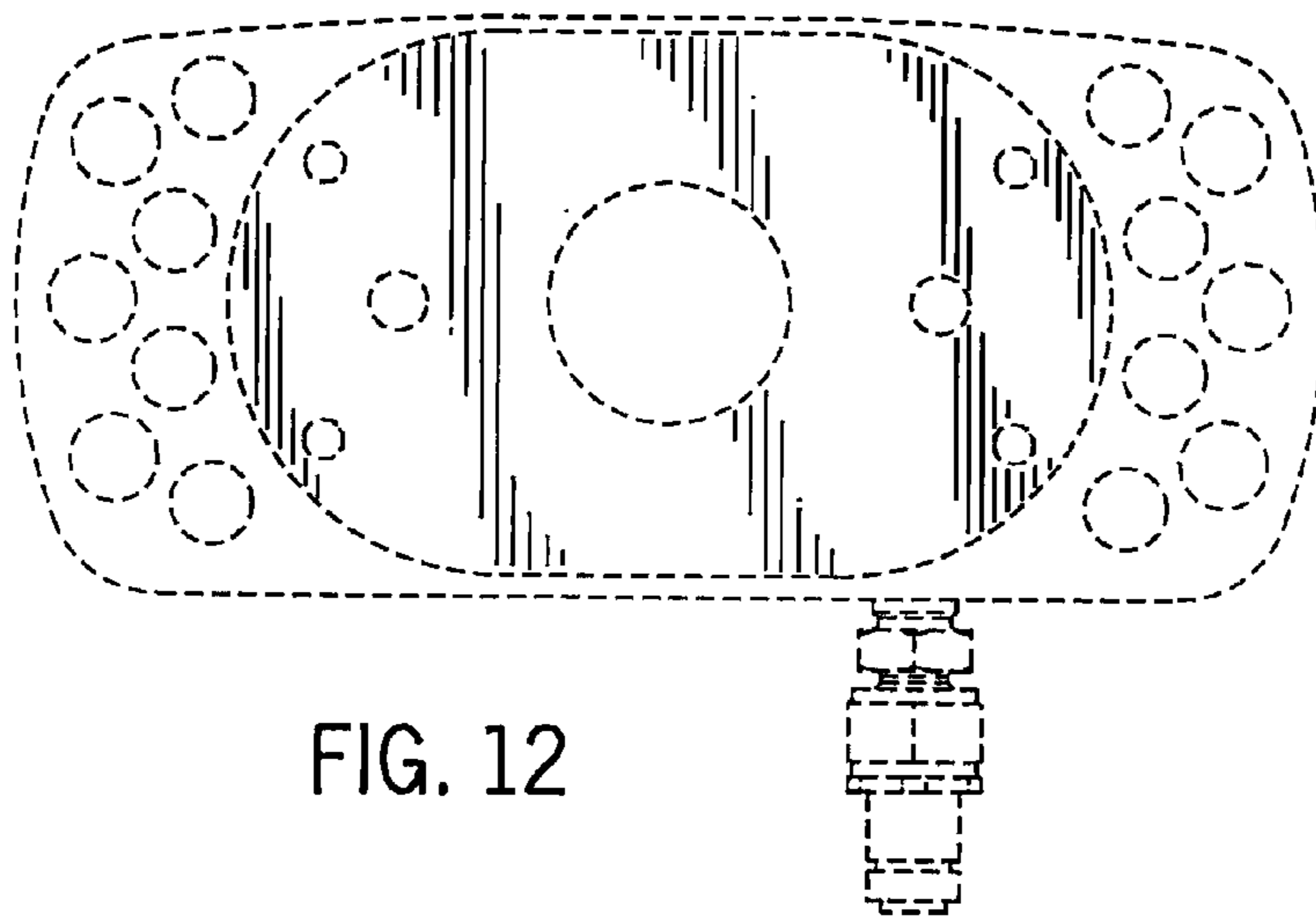


FIG. 12

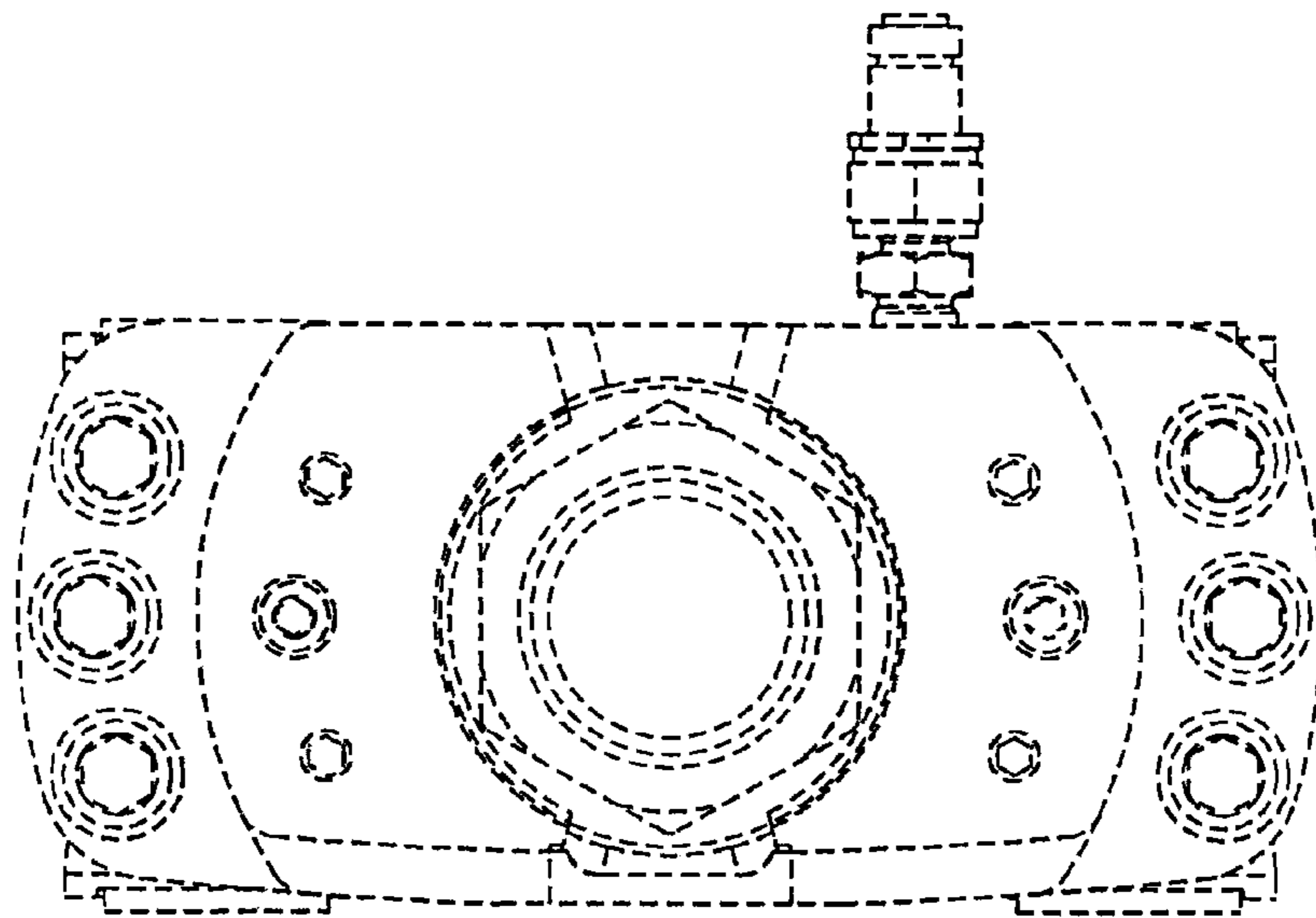


FIG. 13