



US00D709933S

(12) **United States Design Patent**  
**Wu**

(10) **Patent No.:** **US D709,933 S**  
(45) **Date of Patent:** **\*\* Jul. 29, 2014**

- (54) **LINEAR ACTUATOR**
- (71) Applicant: **Timotion Technology Co., Ltd.**, New Taipei (TW)
- (72) Inventor: **Chou-Hsin Wu**, New Taipei (TW)
- (73) Assignee: **Timotion Technology Co., Ltd.**, New Taipei (TW)
- (\*\*) Term: **14 Years**
- (21) Appl. No.: **29/477,685**
- (22) Filed: **Dec. 25, 2013**
- (51) **LOC (10) Cl.** ..... **15-09**
- (52) **U.S. Cl.**  
USPC ..... **D15/143; D15/199**
- (58) **Field of Classification Search**  
USPC ..... D13/118, 158, 162, 184; D15/1-5, 7, 9, D15/143, 148, 149, 199; 74/54, 89.15, 74/90.15, 411.5, 411, 490.09; 297/14, 297/325, 327; 310/10, 12, 15, 20, 20.8, 80, 310/300  
See application file for complete search history.

- (56) **References Cited**  
**U.S. PATENT DOCUMENTS**  
D267,721 S \* 1/1983 Dupuis et al. .... D15/148  
D467,950 S \* 12/2002 Christensen et al. .... D15/199  
D487,902 S \* 3/2004 Nielsen et al. .... D15/143  
D522,547 S \* 6/2006 Beadle et al. .... D15/148

- D523,880 S \* 6/2006 Christensen et al. .... D15/143
- D624,102 S \* 9/2010 Tseng ..... D15/143
- D665,433 S \* 8/2012 Beam et al. .... D15/143
- D686,257 S \* 7/2013 Wu ..... D15/143
- D695,799 S \* 12/2013 Landerholm ..... D15/143
- 2006/0213298 A1 \* 9/2006 Tateishi ..... 74/89.23
- 2008/0220930 A1 \* 9/2008 Ramsay et al. .... 476/4
- 2013/0186218 A1 \* 7/2013 Wu ..... 74/89.37
- 2013/0283947 A1 \* 10/2013 Yamada et al. .... 74/89.23

\* cited by examiner

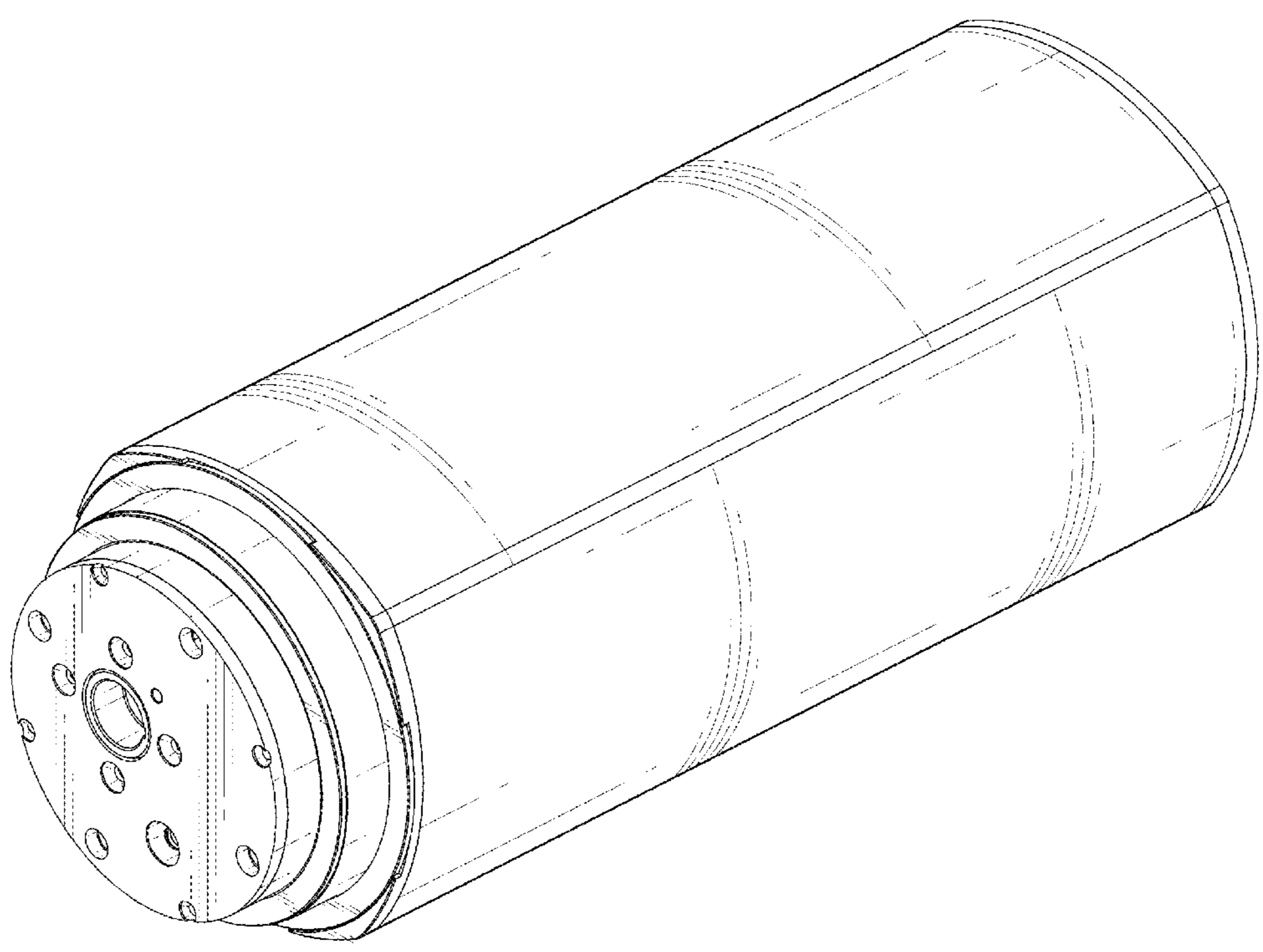
*Primary Examiner* — Patricia Palasik  
(74) *Attorney, Agent, or Firm* — Chun-Ming Shih; HDLS IPR Services

(57) **CLAIM**  
The ornamental design for a linear actuator, as shown and described.

**DESCRIPTION**

FIG. 1 is a perspective view of a linear actuator showing my new design;  
FIG. 2 is a front view thereof;  
FIG. 3 is a rear view thereof;  
FIG. 4 is a left side view thereof;  
FIG. 5 is a right side view thereof;  
FIG. 6 is a top view thereof;  
FIG. 7 is a bottom view thereof; and  
FIG. 8 is another perspective view showing the linear actuator; and,  
FIG. 9 is the other perspective view showing the linear actuator.

**1 Claim, 8 Drawing Sheets**



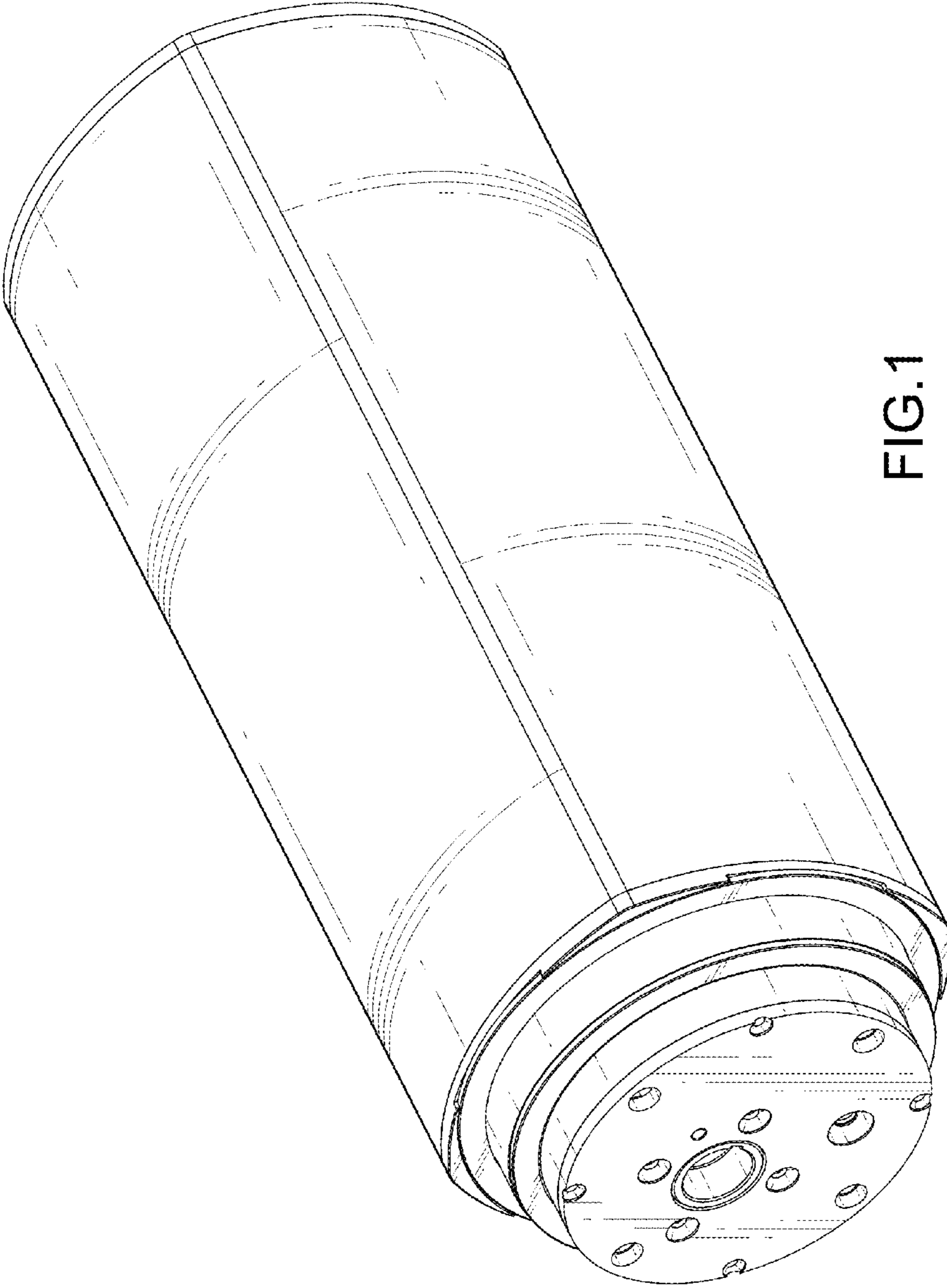


FIG. 1

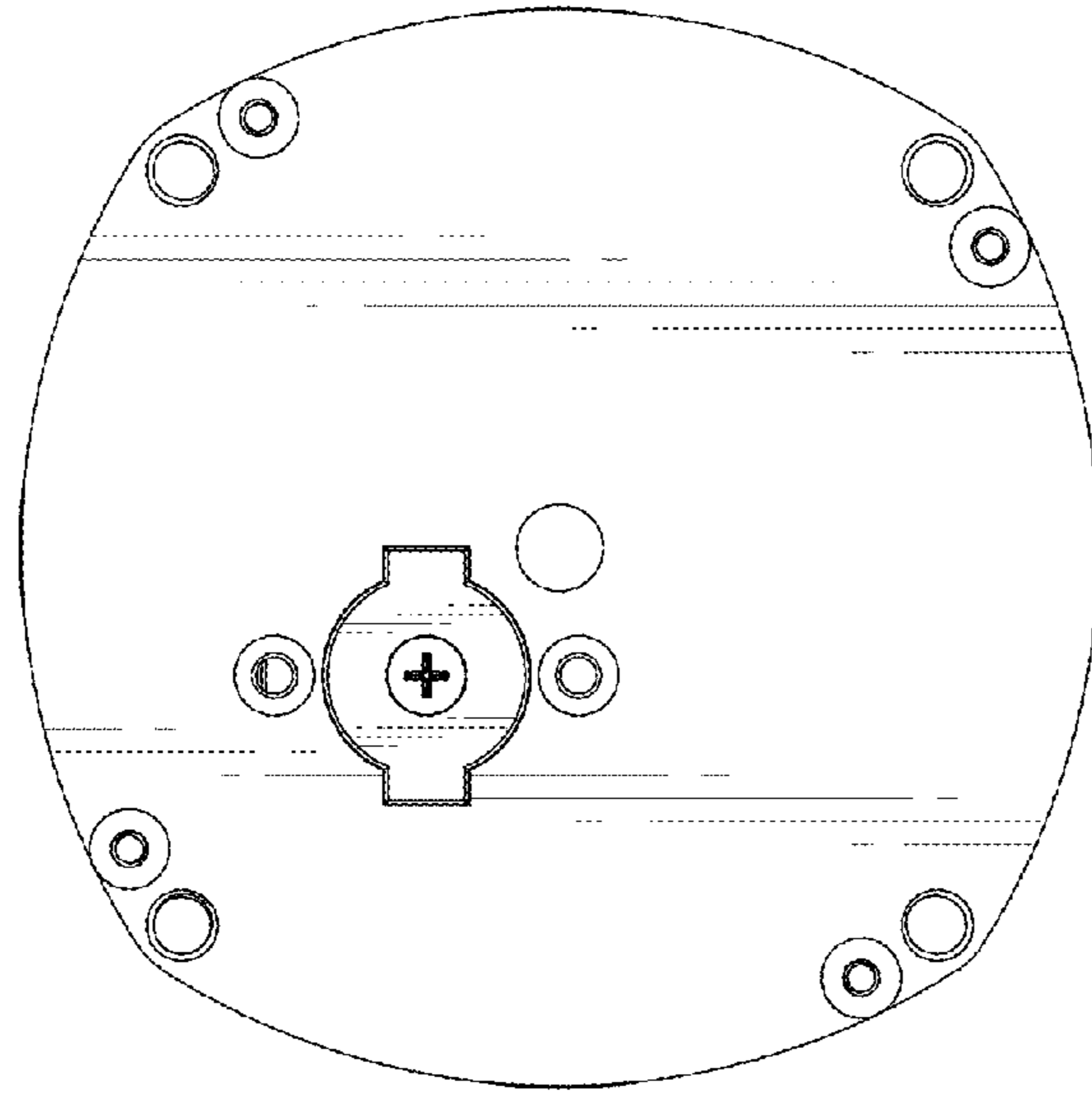


FIG.3

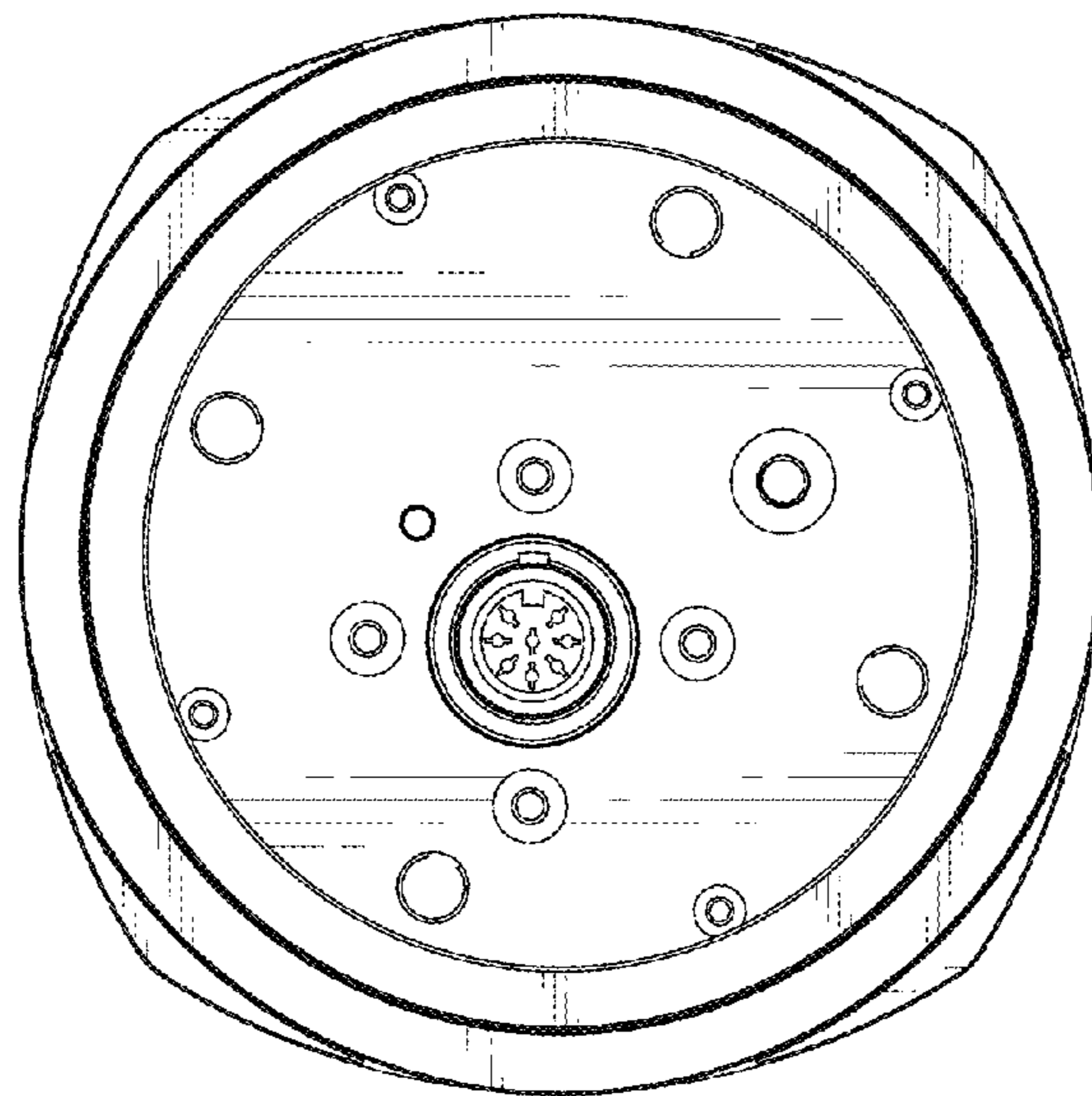


FIG.2

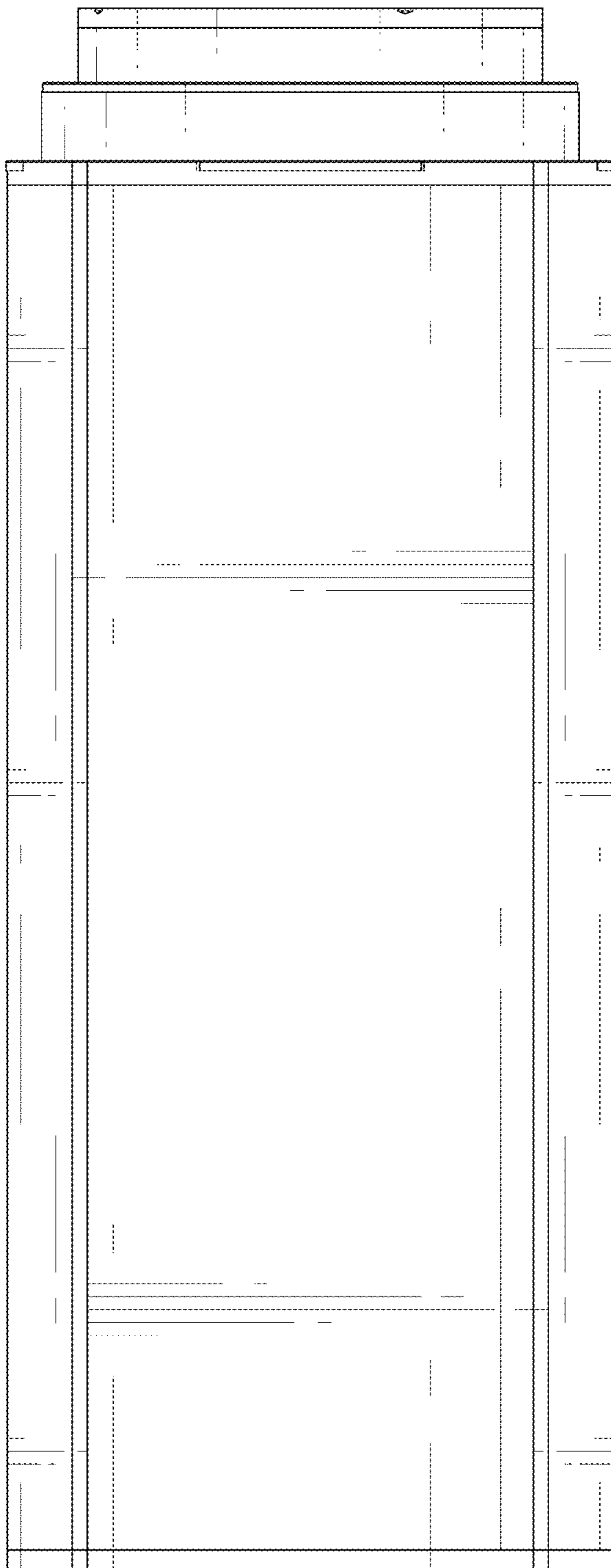


FIG.4

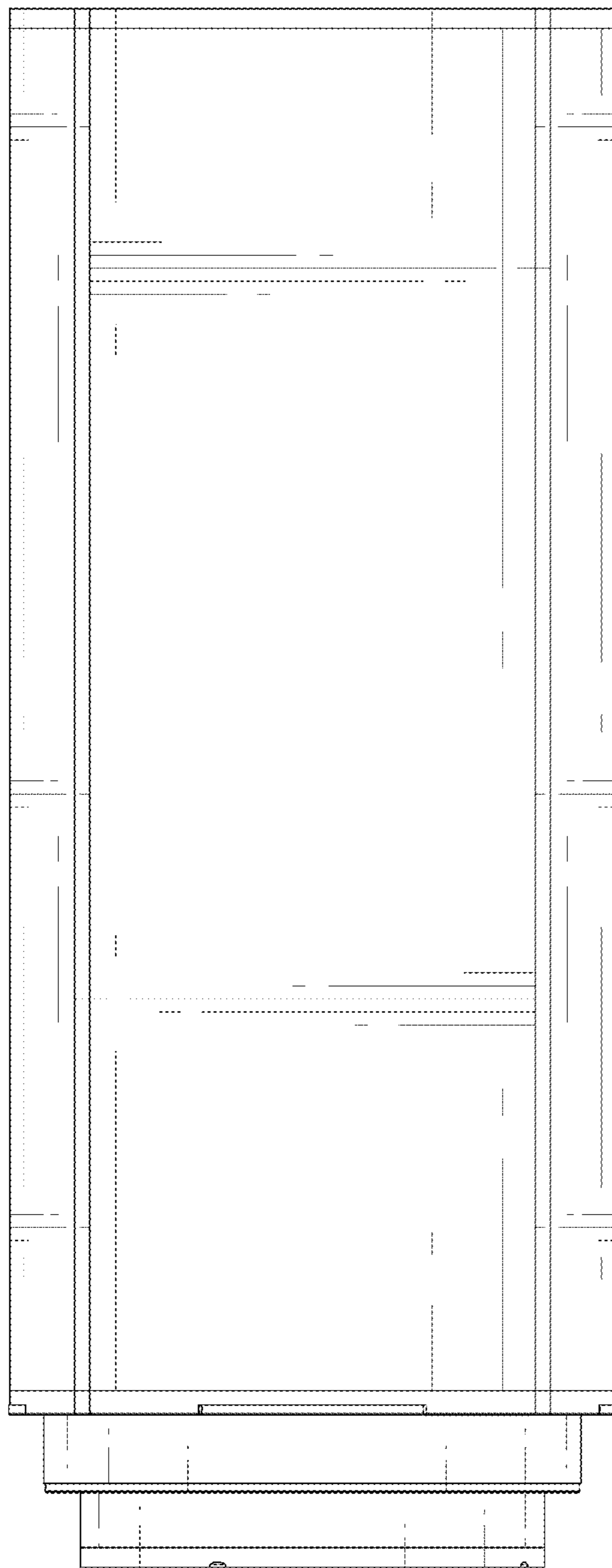


FIG.5

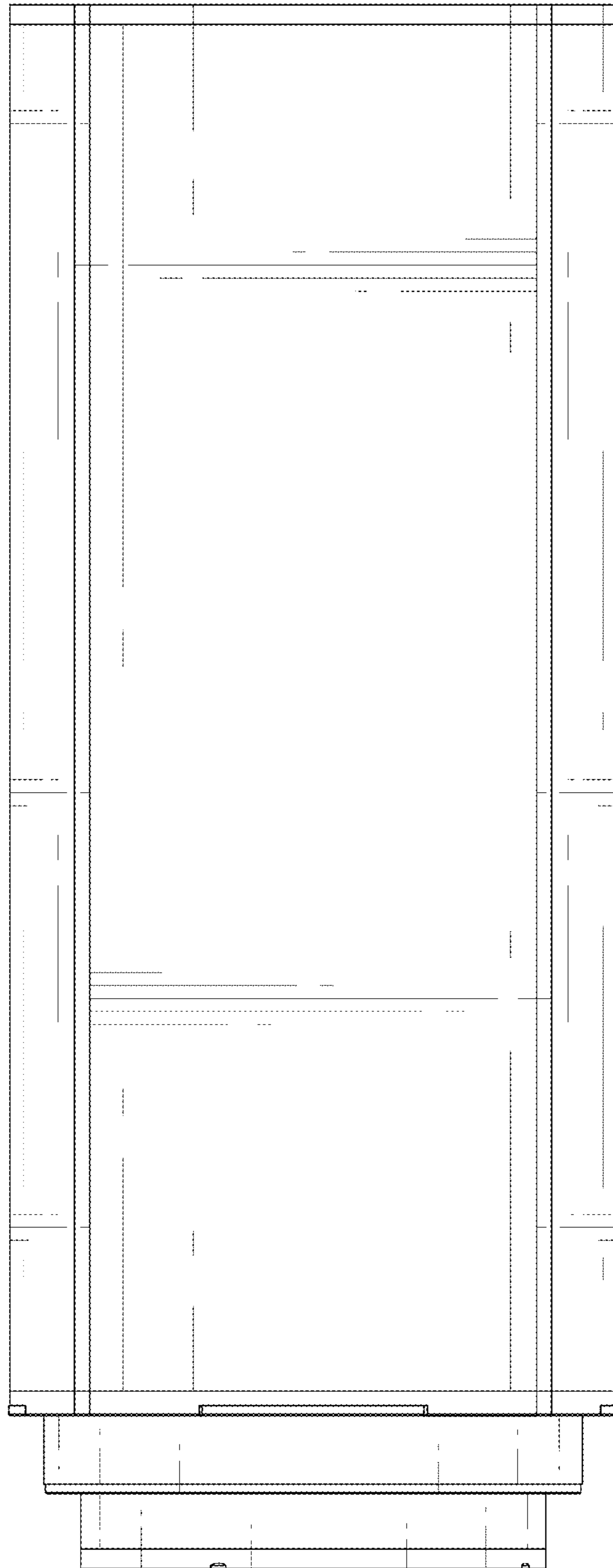


FIG.6



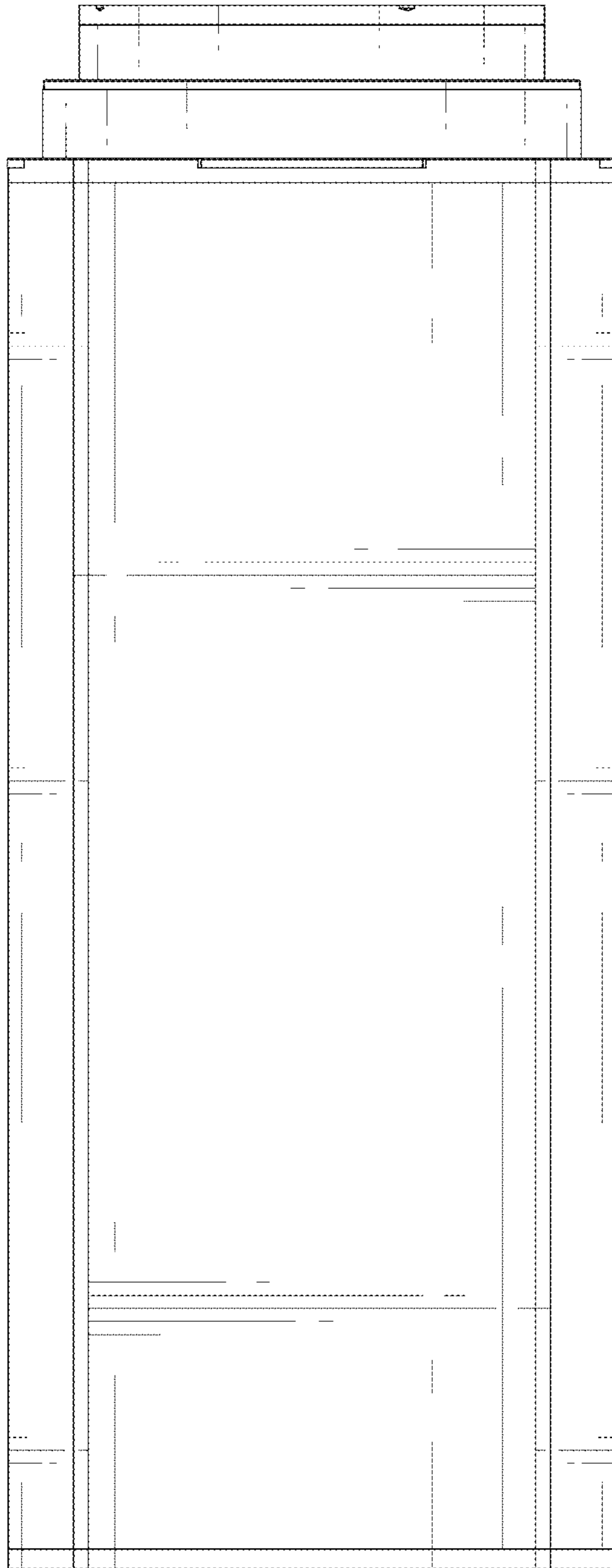


FIG.7

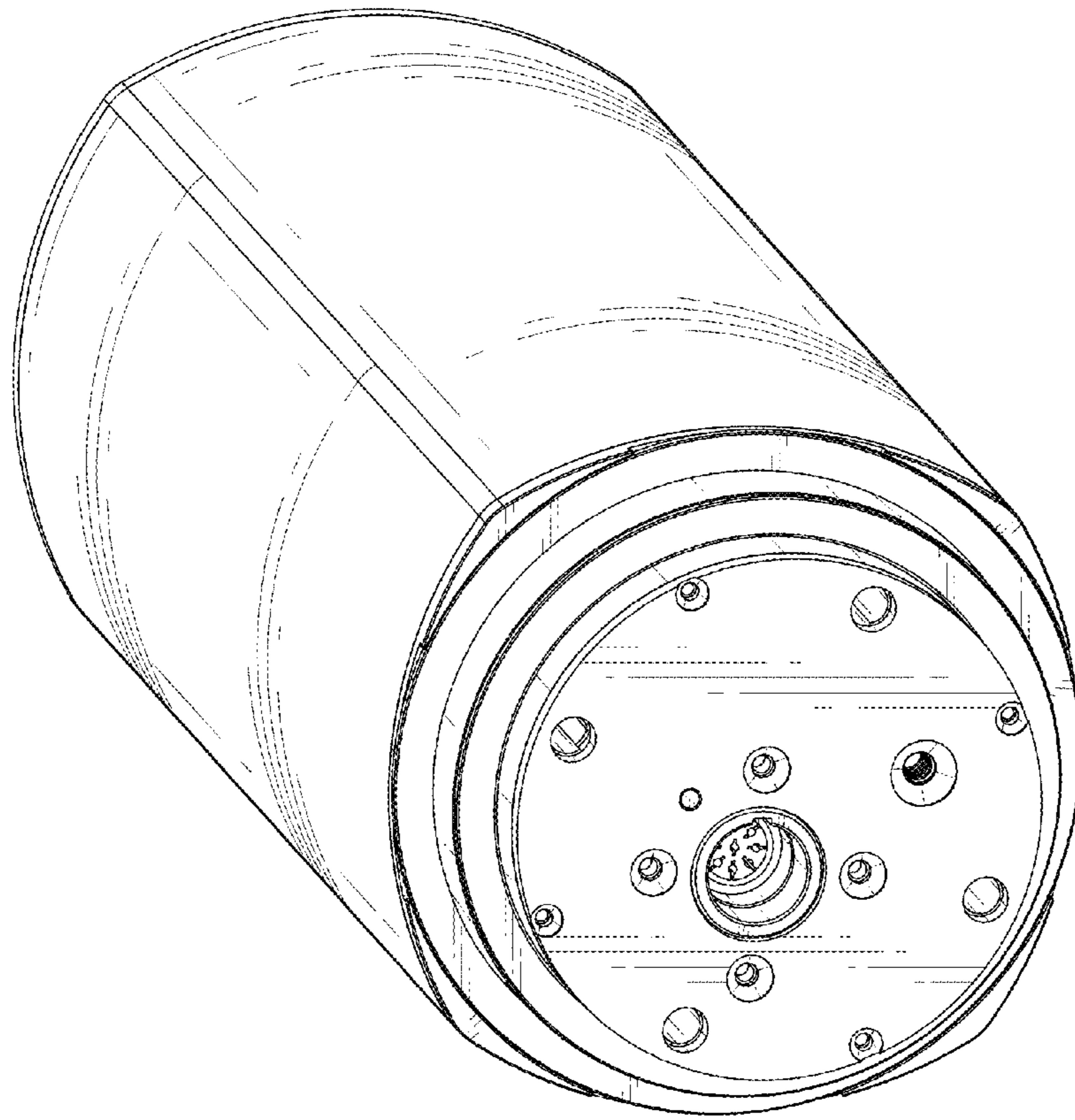


FIG. 8



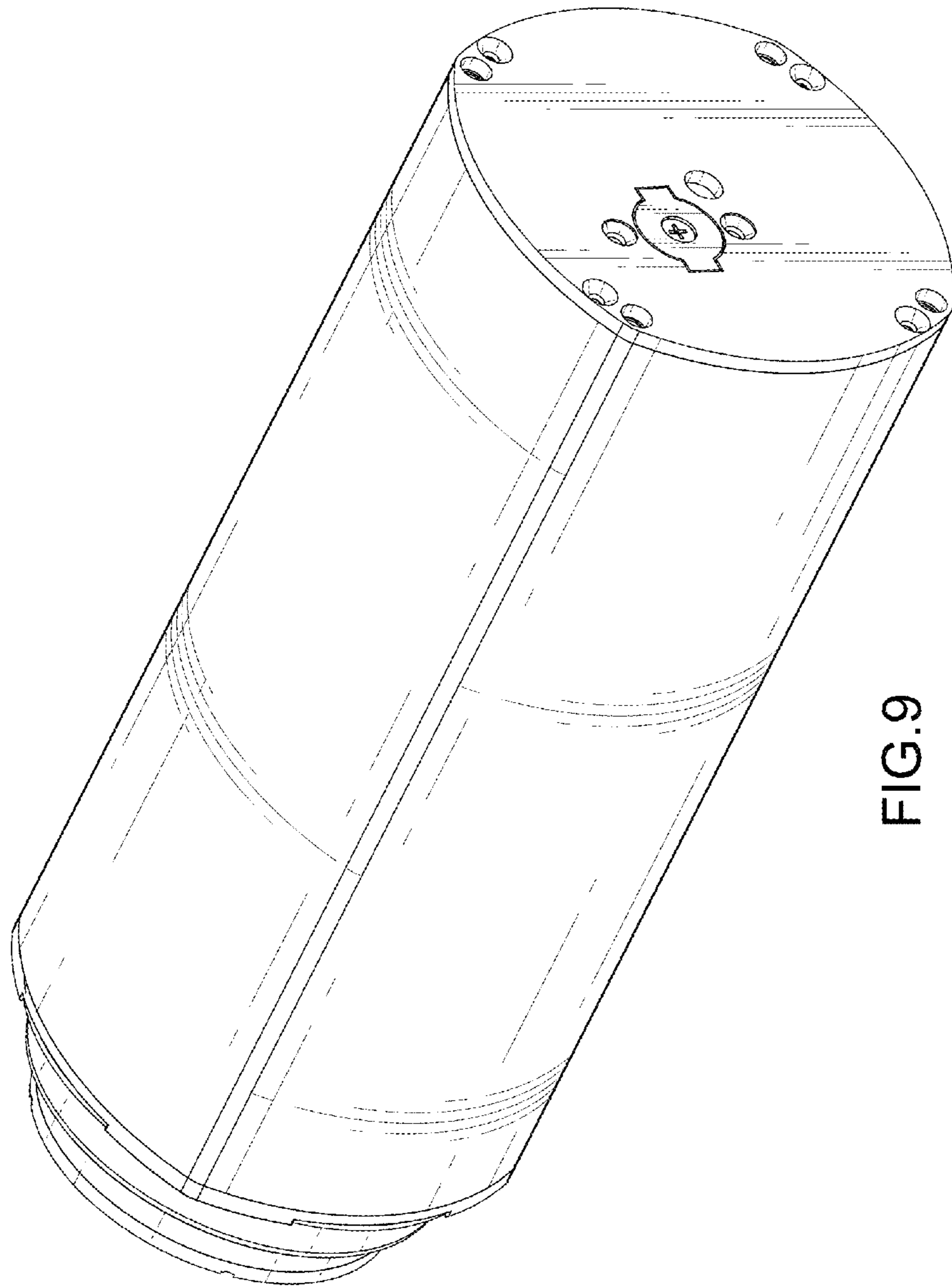


FIG.9