



US00D709932S

(12) **United States Design Patent**
Schuetz et al.

(10) **Patent No.:** **US D709,932 S**
(45) **Date of Patent:** **** Jul. 29, 2014**

(54) **LOG SPLITTER WEDGE HOUSING**
(71) Applicant: **Northern Tool + Equipment Company, Inc.**, Burnsville, MN (US)
(72) Inventors: **John David Schuetz**, Owatonna, MN (US); **Joseph Robert DeGezelle**, Northfield, MN (US)
(73) Assignee: **Northern Tool & Equipment Company, Inc.**, Burnsville, MN (US)

4,961,452 A * 10/1990 Hudson 144/195.1
7,255,143 B1 * 8/2007 Babcock et al. 144/195.1
D552,133 S * 10/2007 Babcock et al. D15/127
D566,733 S * 4/2008 Babcock D15/138
D669,507 S * 10/2012 Banjo et al. D15/127
D676,883 S * 2/2013 Banjo et al. D15/127

* cited by examiner

Primary Examiner — Patricia Palasik

(74) *Attorney, Agent, or Firm* — Patterson Thuent Pedersen, P.A.

(**) Term: **14 Years**

(57) **CLAIM**

The ornamental design for a log splitter wedge housing, as shown and described.

(21) Appl. No.: **29/481,416**

(22) Filed: **Feb. 5, 2014**

DESCRIPTION

(51) **LOC (10) Cl.** **15-09**

(52) **U.S. Cl.**
USPC **D15/127**

(58) **Field of Classification Search**
USPC D8/47; D15/28, 127, 133, 138, 139, D15/199; 83/468.1, 471.2, 471.3, 477.2, 83/486.1, 574, 701, 928; 108/19; 144/193.1–195.6, 195.8, 286.5, 287, 144/366; 254/104; 269/1
See application file for complete search history.

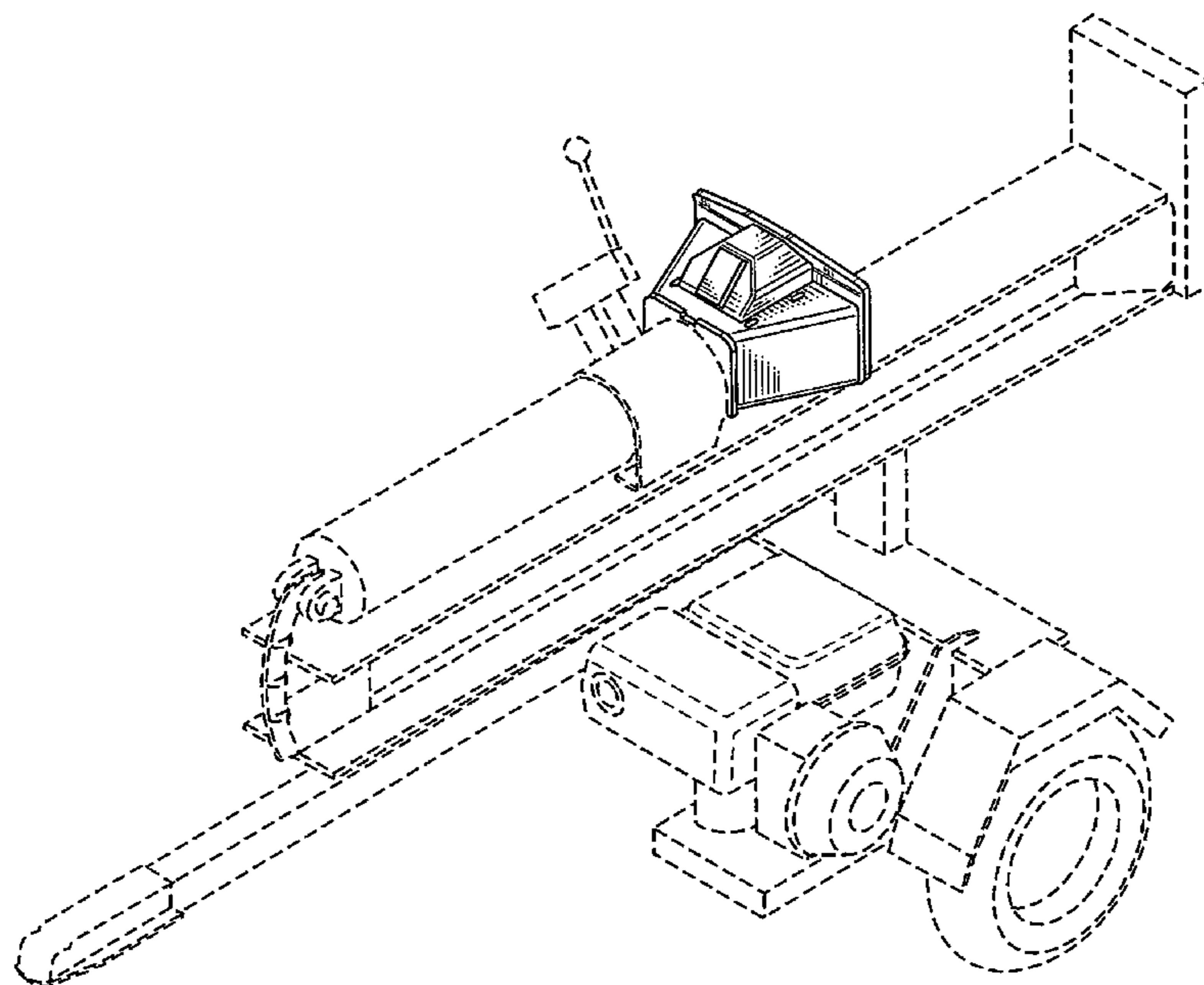
FIG. 1 is a rear isometric view of a log splitter wedge housing according to an embodiment of the invention, depicted in context with a log splitter;
FIG. 2 is a front isometric view of the log splitter wedge housing depicted in FIG. 1;
FIG. 3 is a front elevation view of the log splitter wedge housing depicted in FIG. 2;
FIG. 4 is a top plan view of the log splitter wedge housing depicted in FIG. 2;
FIG. 5 is a left side elevation view of the log splitter wedge housing depicted in FIG. 2; and,
FIG. 6 is a right side elevation view of the log splitter wedge housing depicted in FIG. 2.
Structure depicted in broken lines is for the purpose of illustrating environment, or structure not claimed, and forms no part of the claimed design.

(56) **References Cited**

U.S. PATENT DOCUMENTS

3,285,304 A * 11/1966 Fuller 144/193.1
D255,686 S * 7/1980 Duppong et al. D15/139
4,374,532 A * 2/1983 Region 144/195.1
4,589,457 A * 5/1986 Schmidt et al. 144/195.8
4,793,391 A * 12/1988 Mauer 144/195.1

1 Claim, 4 Drawing Sheets



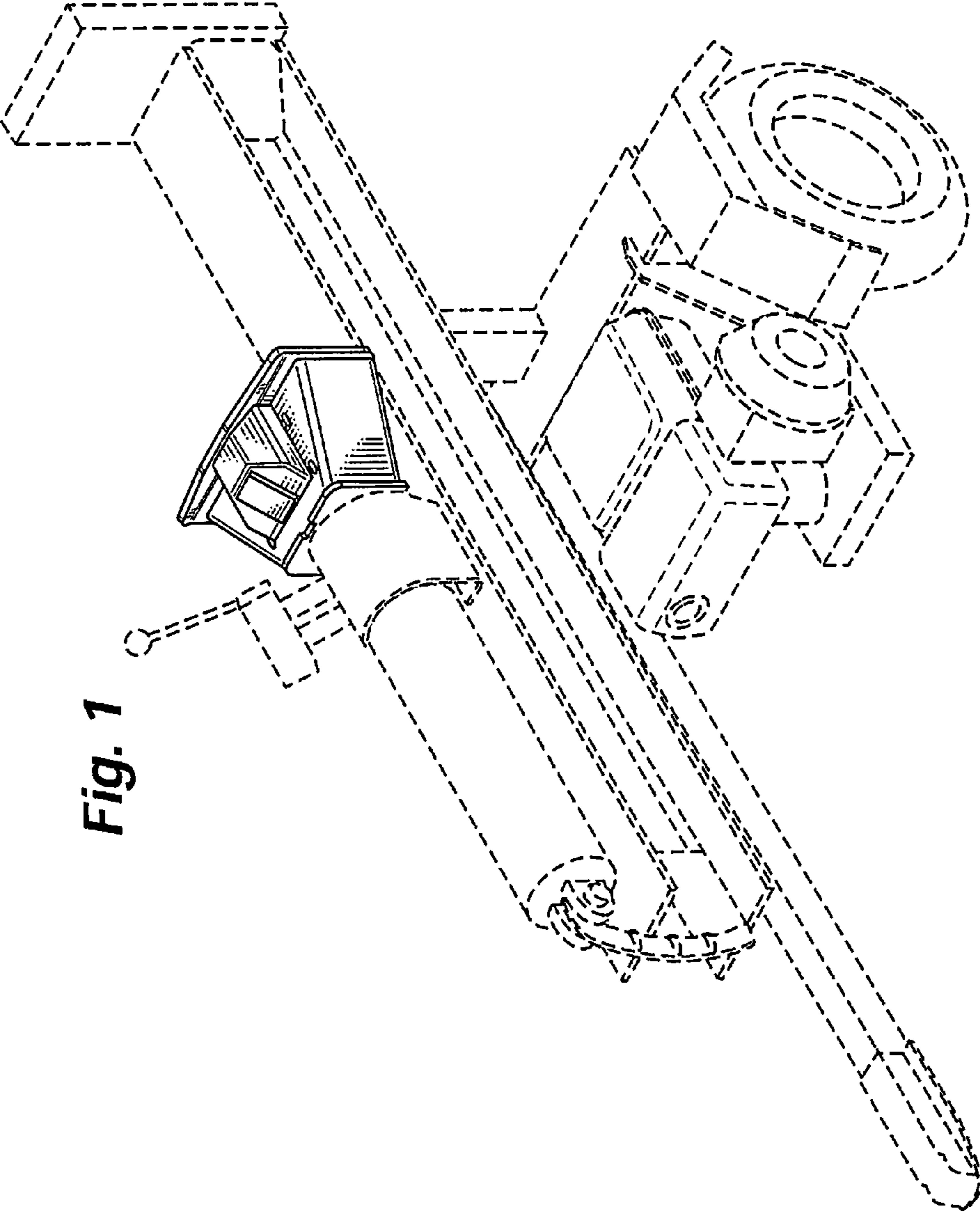


Fig. 1

Fig. 2

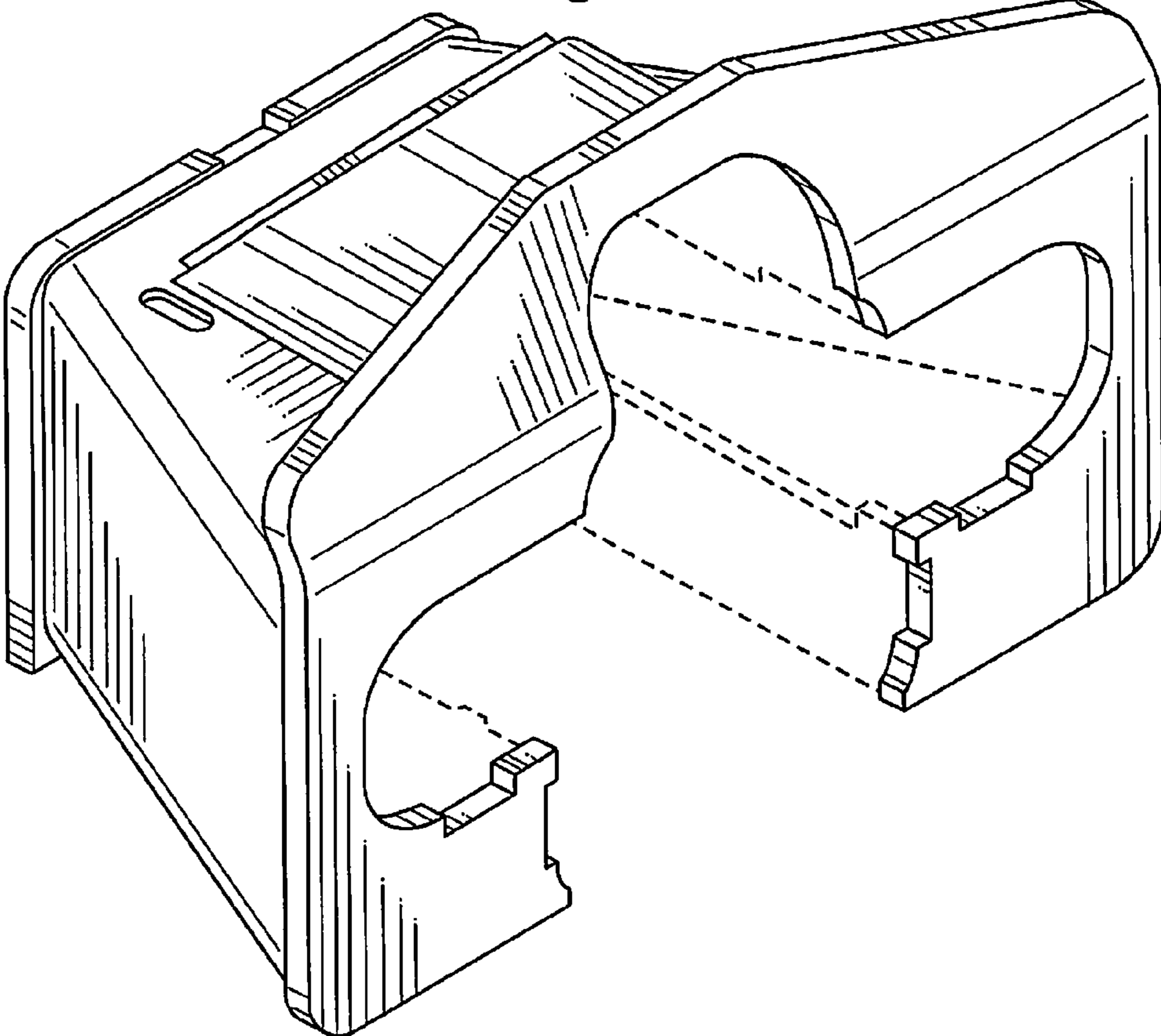


Fig. 3

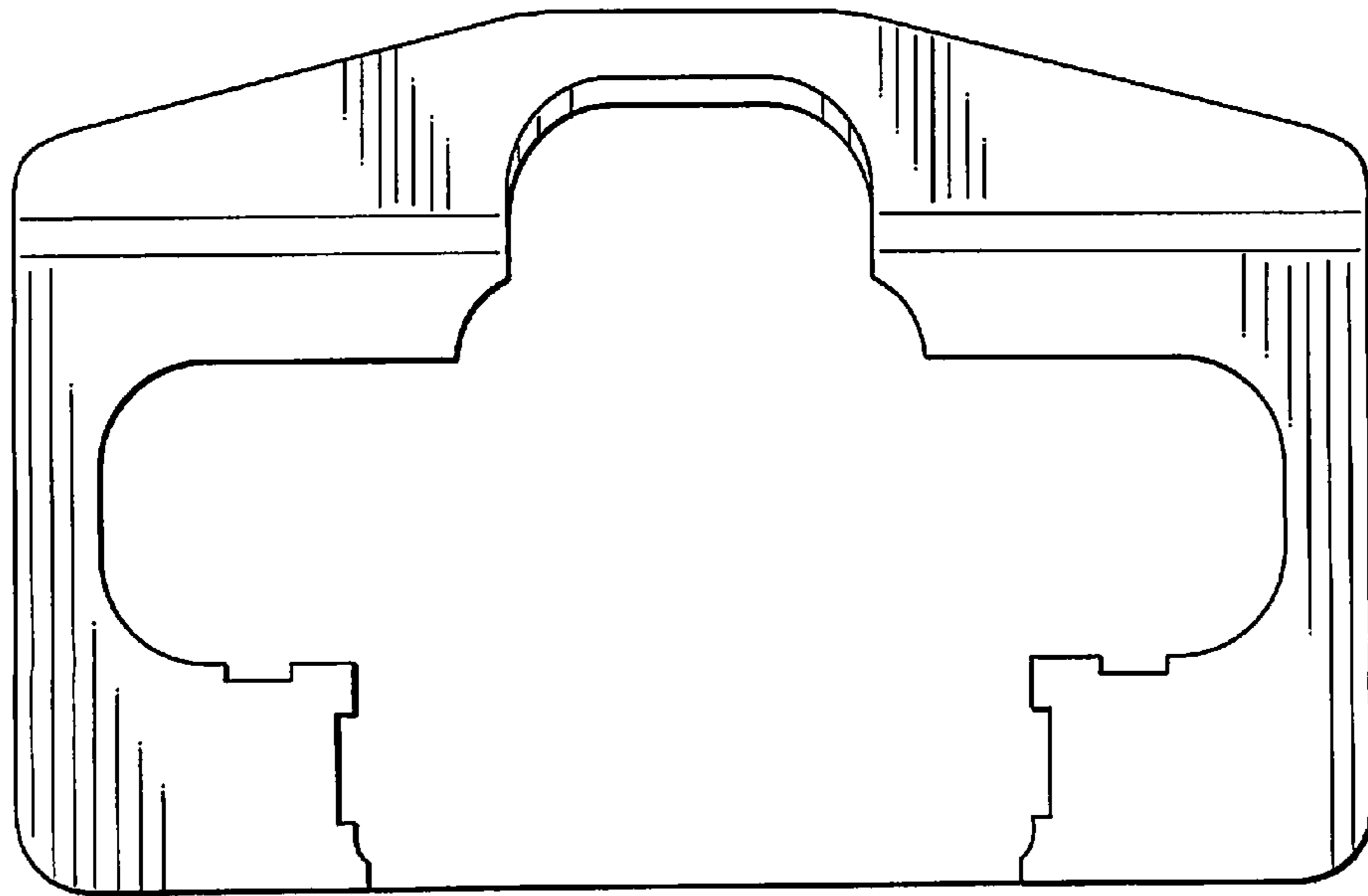


Fig. 4

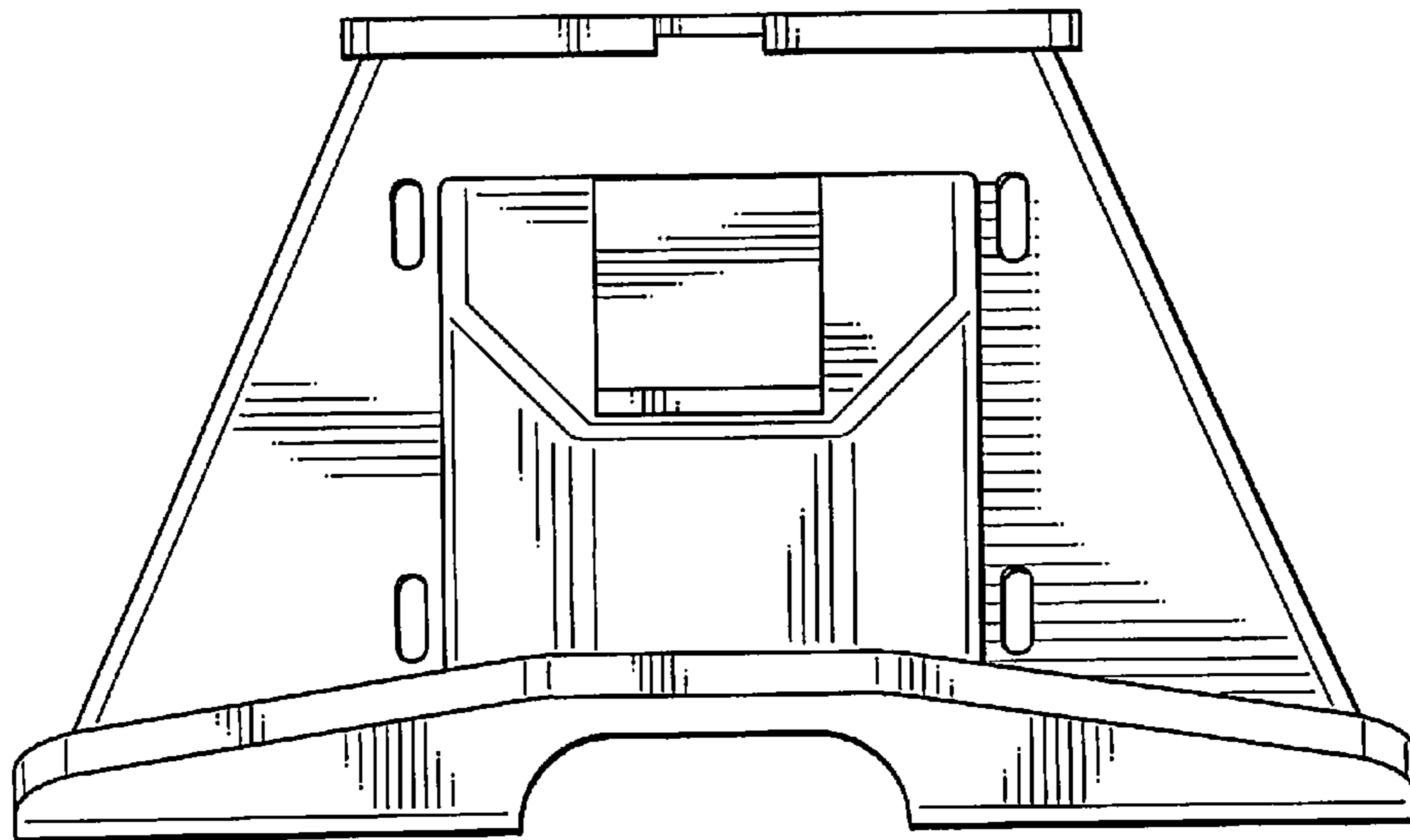


Fig. 5

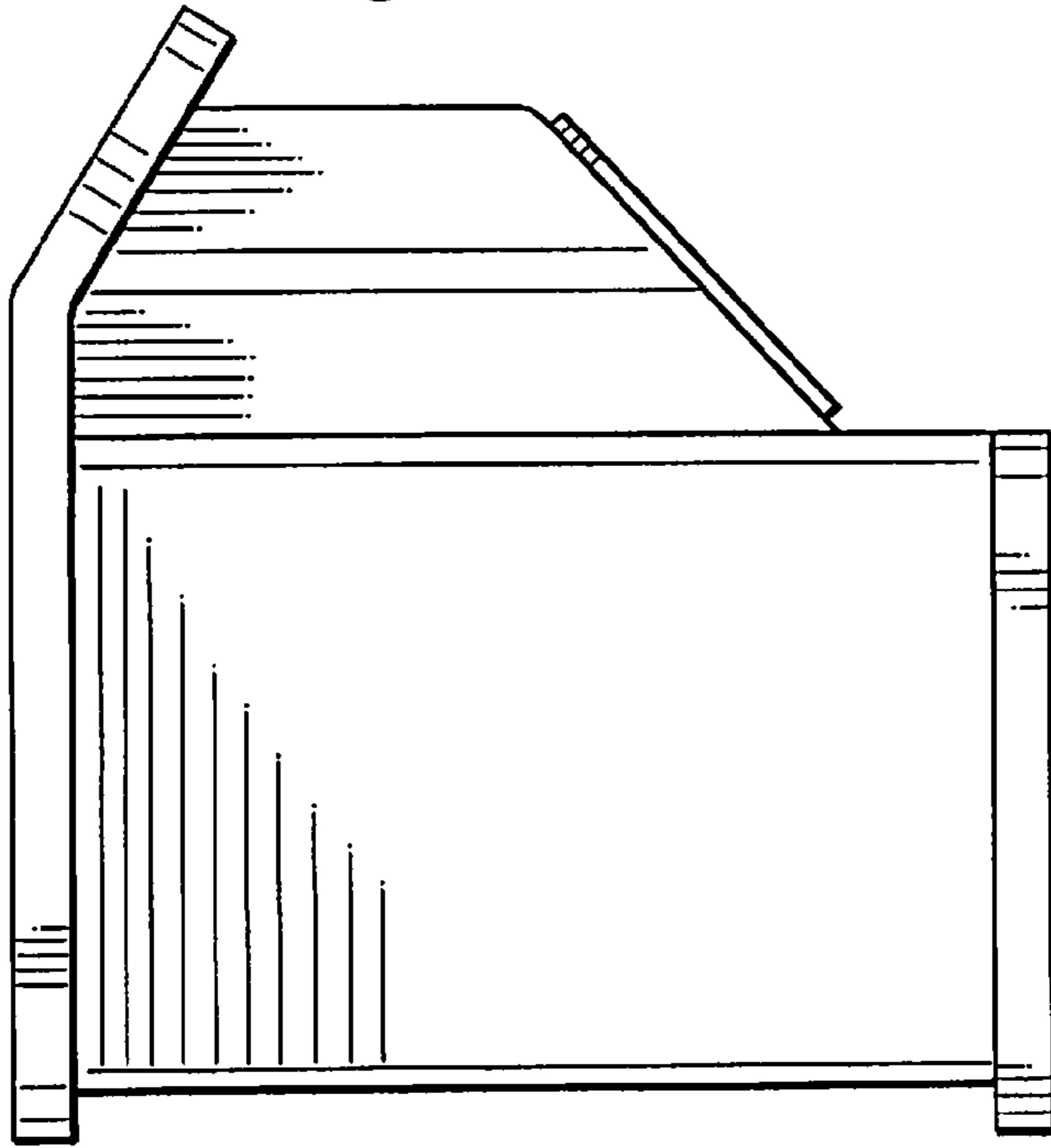


Fig. 6

