



US00D709928S

(12) **United States Design Patent**
Park et al.

(10) **Patent No.:** **US D709,928 S**
(45) **Date of Patent:** **** Jul. 29, 2014**

- (54) **TRAY**
- (71) Applicant: **Samsung Electronics Co., Ltd.**,
Suwon-si (KR)
- (72) Inventors: **Seojin Park**, Seoul (KR); **Ri-Na Sin**,
Seoul (KR); **Dajeong Kim**, Seoul (KR)
- (73) Assignee: **Samsung Electronics Co., Ltd.**,
Suwon-si (KR)
- (**) Term: **14 Years**
- (21) Appl. No.: **29/453,024**
- (22) Filed: **Apr. 24, 2013**

D607,021 S *	12/2009	Baacke et al.	D15/89
D649,985 S *	12/2011	Jeon et al.	D15/89
D661,325 S *	6/2012	Yang et al.	D15/89
D669,506 S *	10/2012	Czach et al.	D15/89
D676,468 S *	2/2013	Lee et al.	D15/89
D681,697 S *	5/2013	Meda et al.	D15/89
D692,034 S *	10/2013	Seo et al.	D15/89
D695,796 S *	12/2013	Lee et al.	D15/89

* cited by examiner

Primary Examiner — Thomas Johannes
Assistant Examiner — Khawaja Anwar
(74) *Attorney, Agent, or Firm* — Ladas & Parry LLP

- (30) **Foreign Application Priority Data**
Oct. 24, 2012 (KR) 30-2012-0050660
- (51) **LOC (10) Cl.** **15-07**
- (52) **U.S. Cl.**
USPC **D15/89**
- (58) **Field of Classification Search**
USPC D15/79-89, 91; 62/3.6, 125, 126, 187,
62/246-255, 441-445; 312/116, 138.1,
312/236, 321.5, 330.1, 400-409, 351,
312/139.2, 128.3; 211/153, 90.02
See application file for complete search history.

- (56) **References Cited**
U.S. PATENT DOCUMENTS
D590,424 S * 4/2009 Baacke et al. D15/89
D591,314 S * 4/2009 Baacke et al. D15/89
D591,315 S * 4/2009 Baacke et al. D15/89
D603,883 S * 11/2009 Placke et al. D15/89

(57) **CLAIM**
The ornamental design for a tray, as shown and described.

DESCRIPTION
FIG. 1 is the front/right-side/top perspective view of a tray showing our new design;
FIG. 2 is the front-side elevation view thereof;
FIG. 3 is the rear-side elevation view thereof;
FIG. 4 is the left-side elevation view thereof;
FIG. 5 is the right-side elevation view thereof;
FIG. 6 is the top-side elevation view thereof;
FIG. 7 is the bottom-side elevation view thereof;
FIG. 8 shows that the tray is in use in an unclaimed environment; and,
FIG. 9 is the enlarged cross-sectional view of FIG. 1.
The shade lines in the Figures show the transparency and the flatness, and not surface ornamentation.
The broken lines in the drawing show unclaimed environment only and form no part of the claimed design.

1 Claim, 6 Drawing Sheets

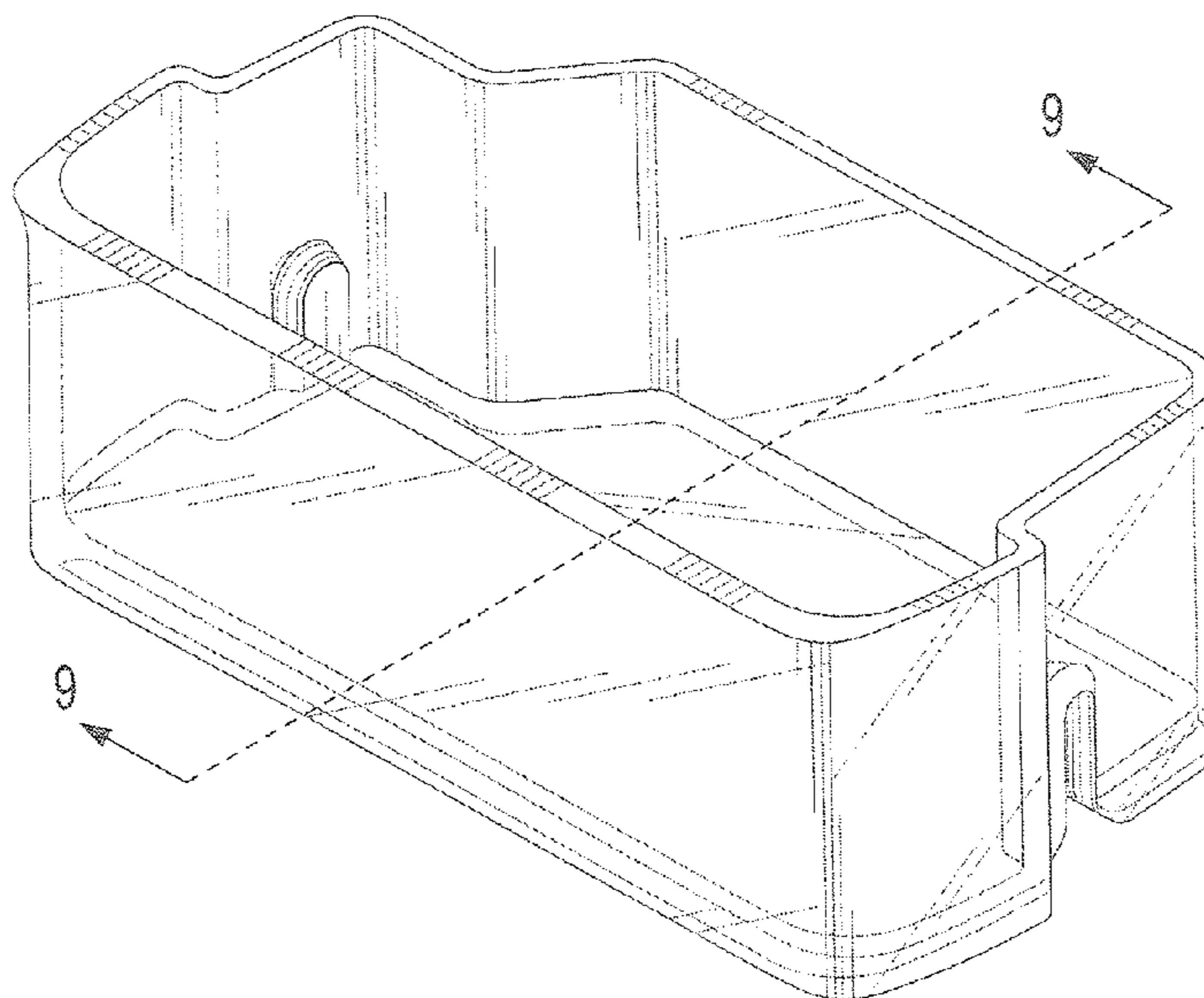


Fig. 1

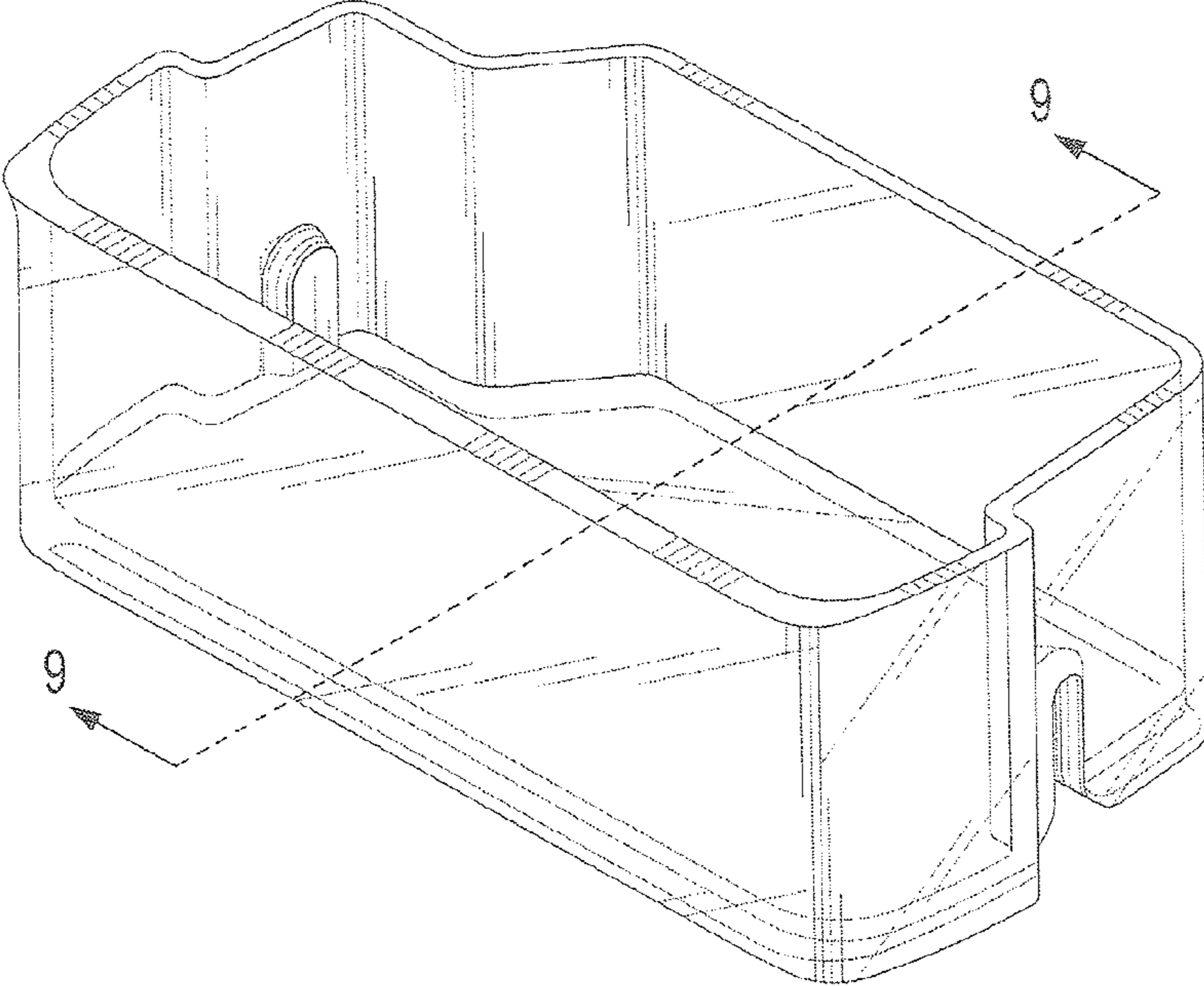


FIG. 2

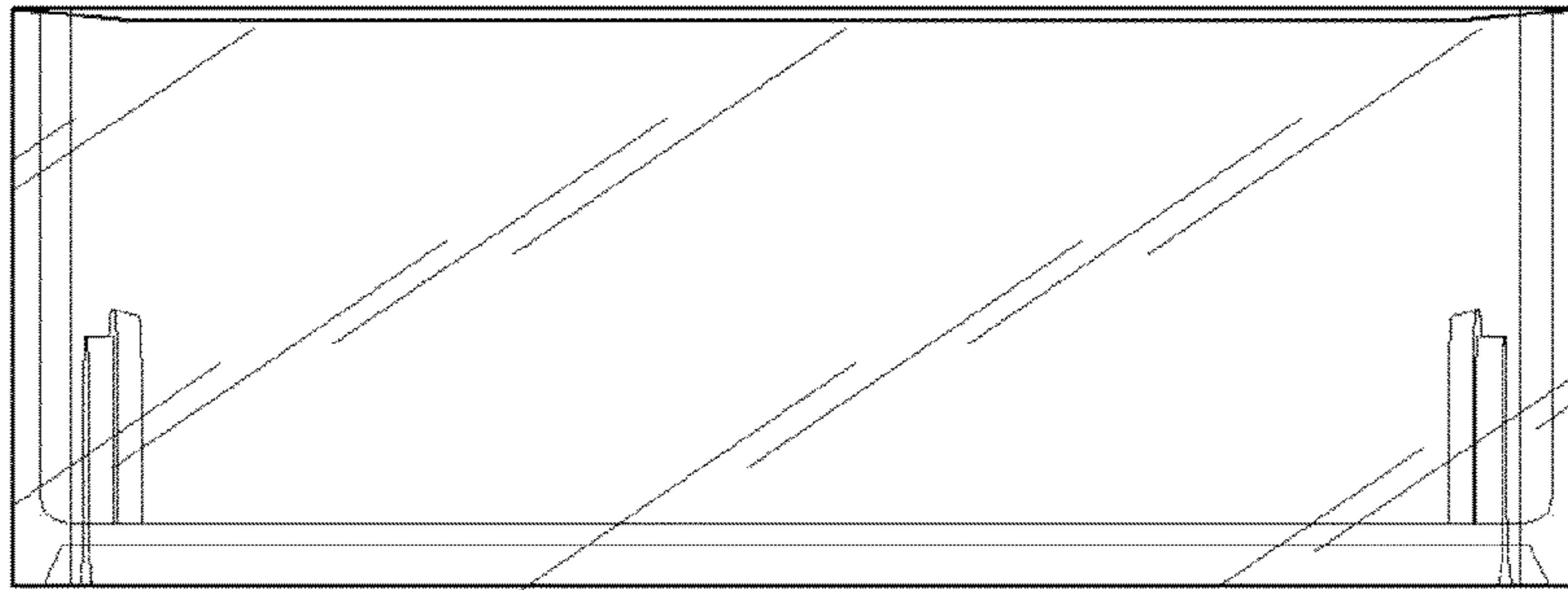


FIG. 3

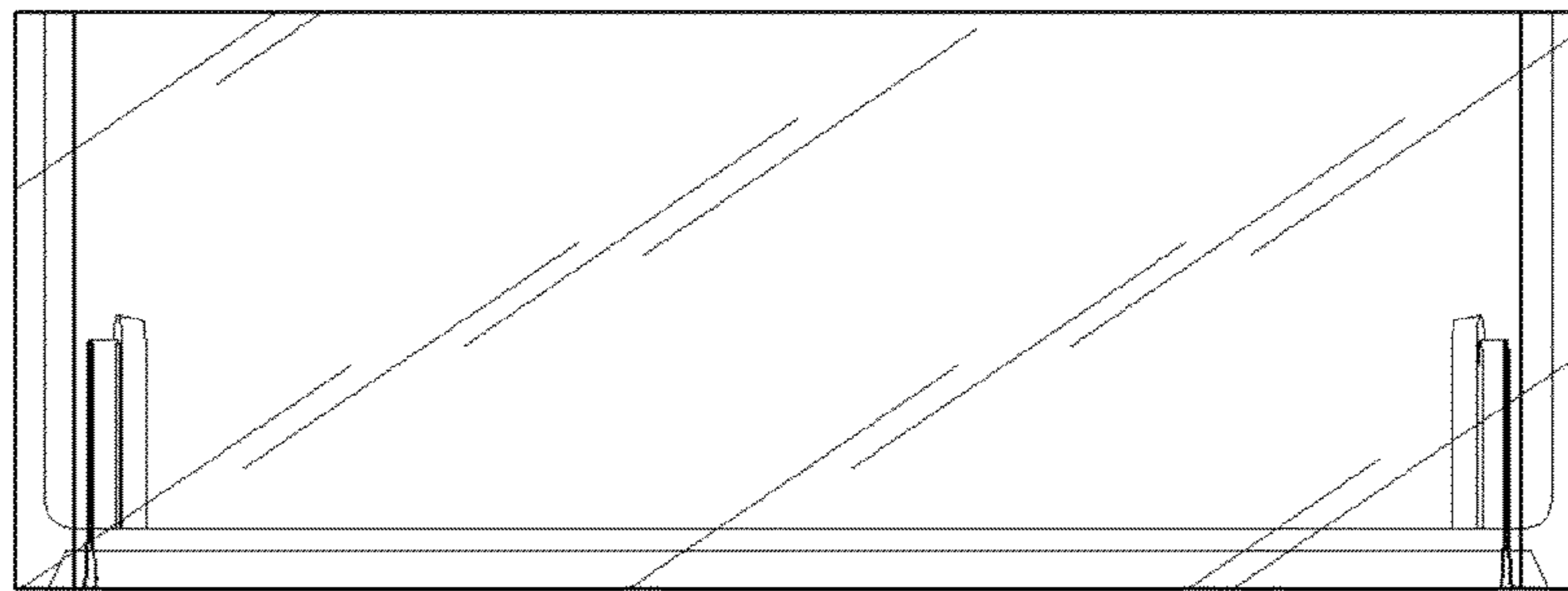


FIG. 4

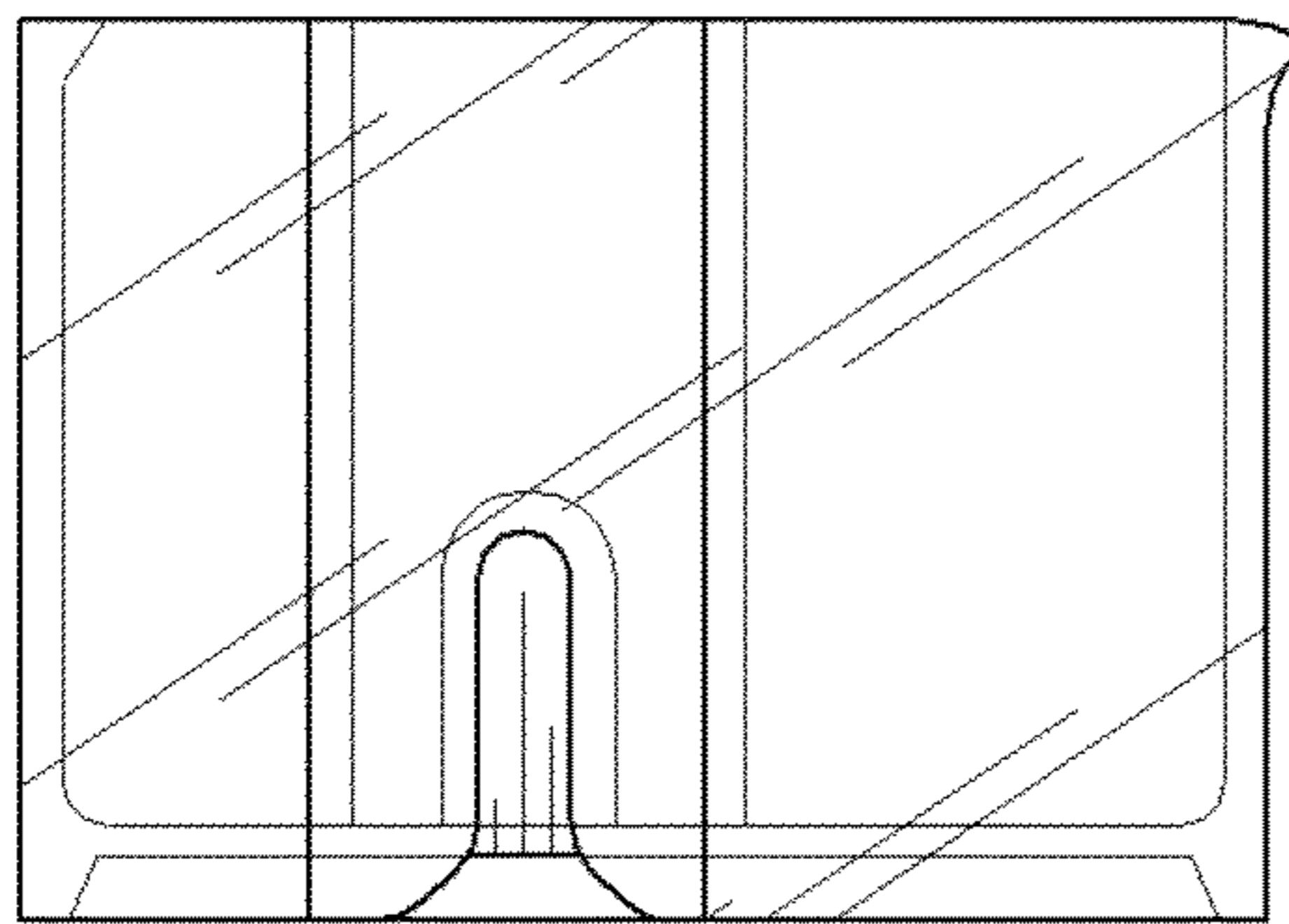


FIG. 5

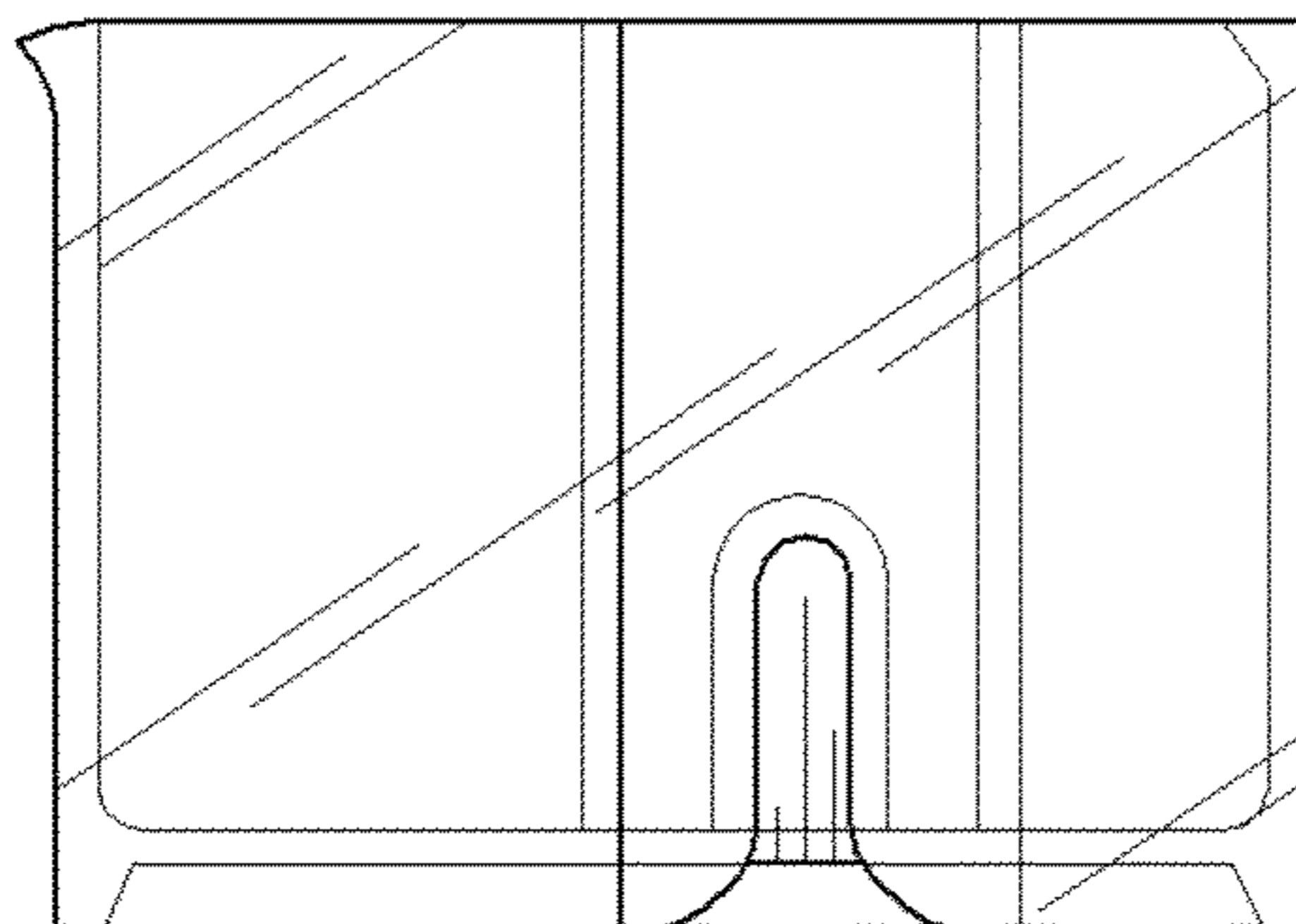


FIG. 6

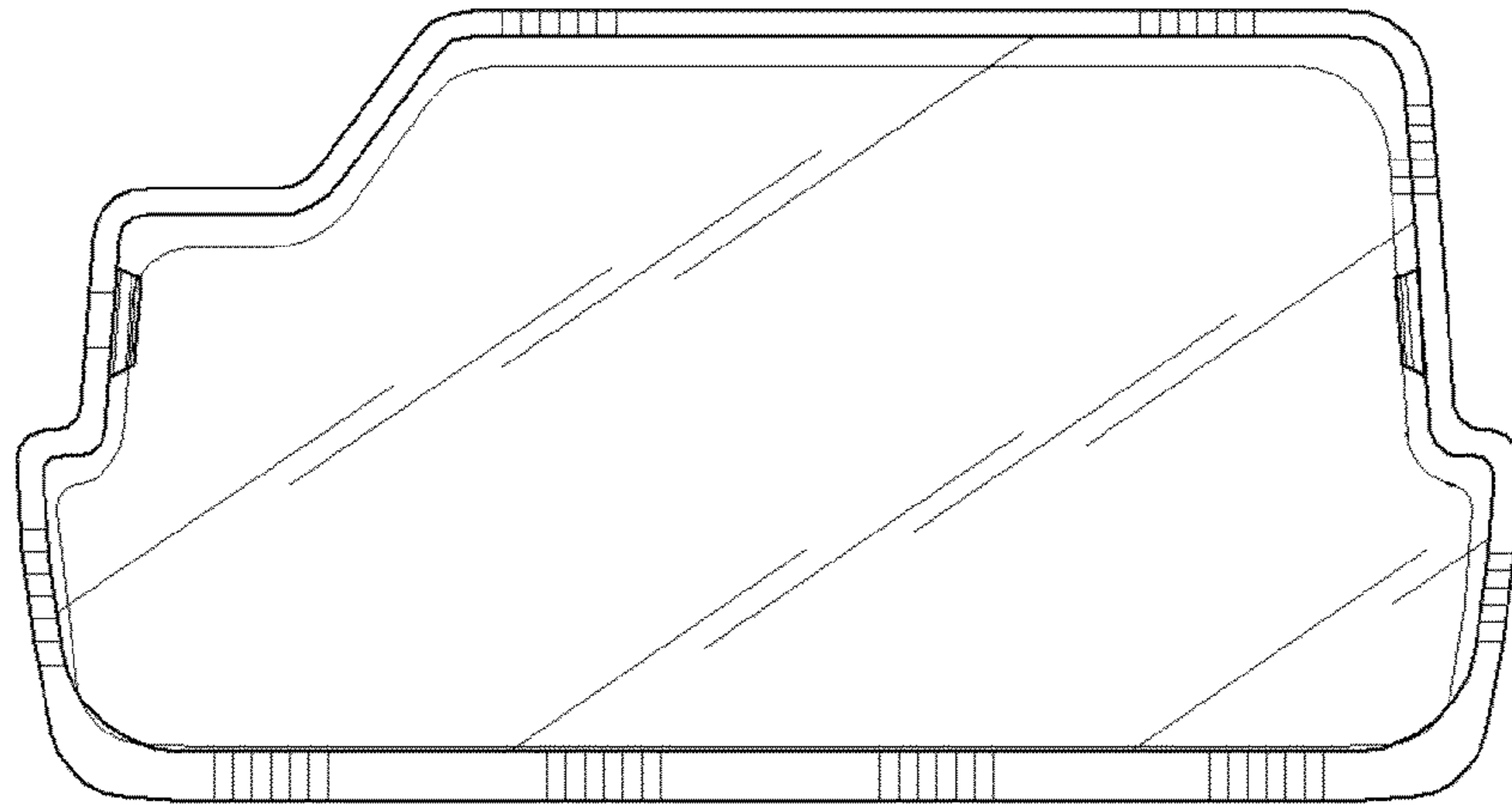


FIG. 7

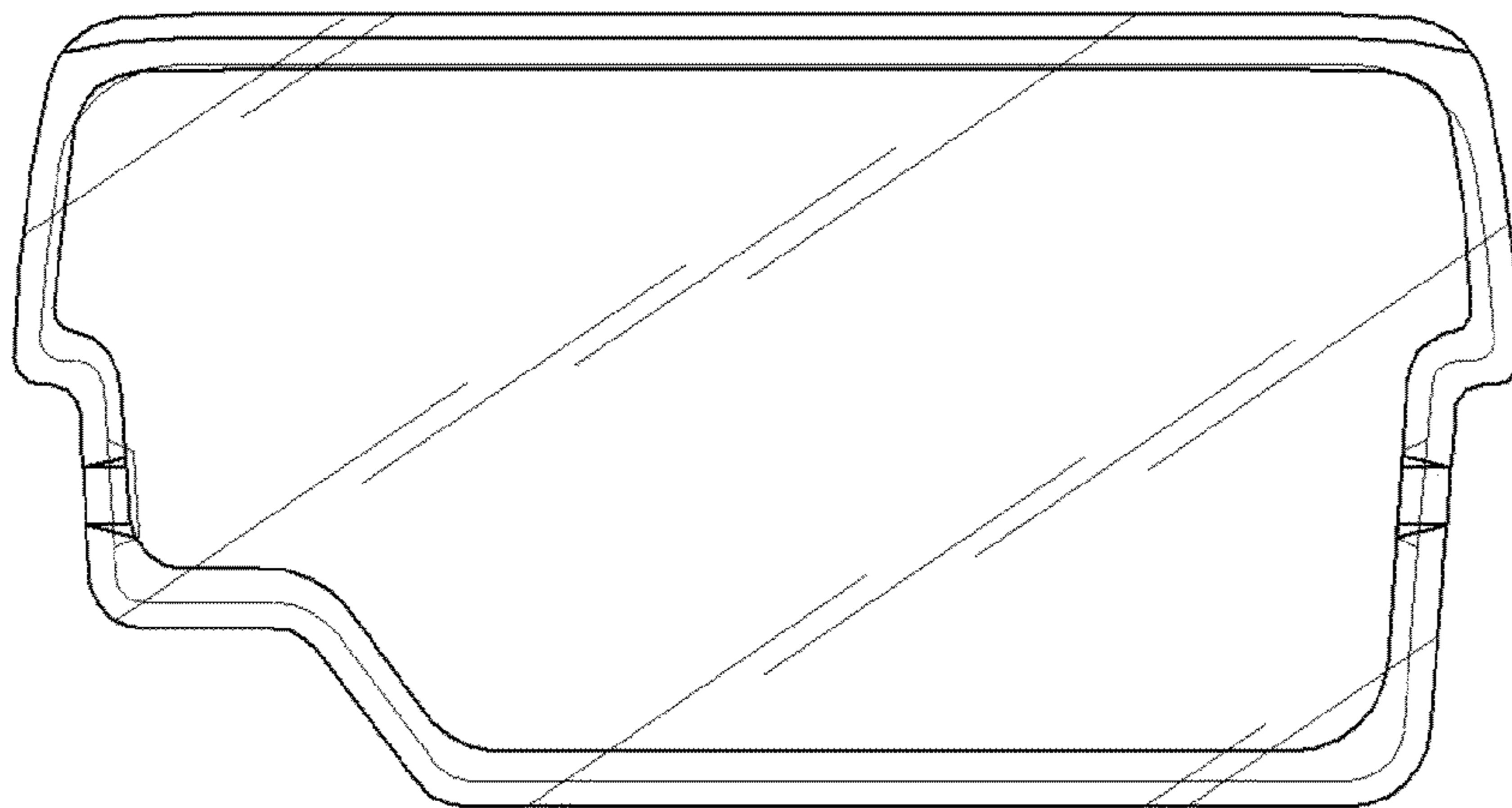


FIG. 8

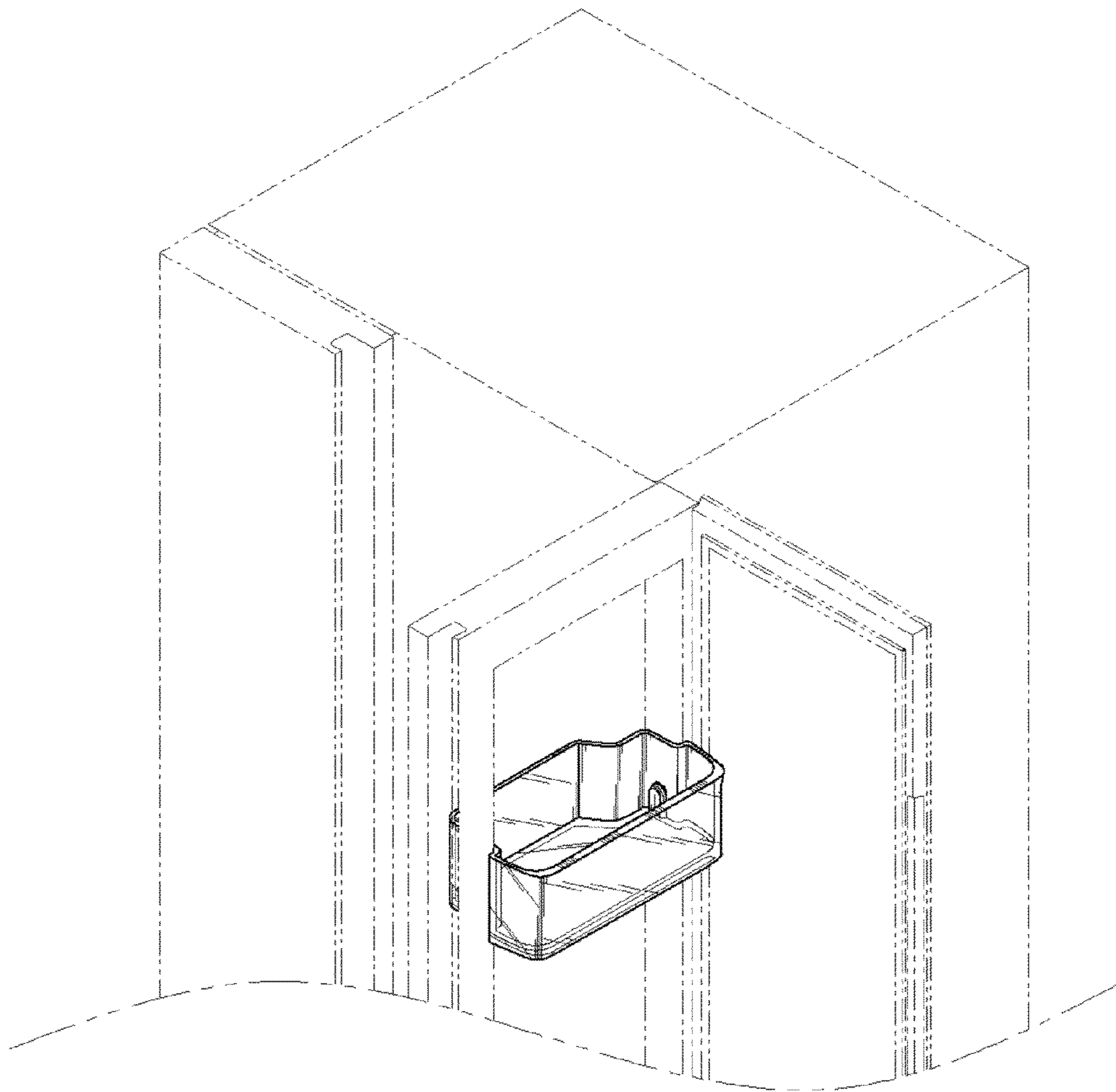


FIG. 9

