



US00D709926S

(12) **United States Design Patent**
Park et al.

(10) **Patent No.:** **US D709,926 S**
(45) **Date of Patent:** **** Jul. 29, 2014**

(54) **TRAY**
(71) Applicant: **Samsung Electronics Co., Ltd.**,
Suwon-si (KR)
(72) Inventors: **Seojin Park**, Seoul (KR); **Ri-Na Sin**,
Seoul (KR); **Dajeong Kim**, Seoul (KR)
(73) Assignee: **Samsung Electronics Co., Ltd.**,
Suwon-Si (KR)

D490,091 S * 5/2004 Quinlan D15/89
D513,757 S * 1/2006 Grobleben D15/89
D515,114 S * 2/2006 Grobleben D15/89
D590,424 S * 4/2009 Baacke et al. D15/89
D591,314 S * 4/2009 Baacke et al. D15/89
D591,315 S * 4/2009 Baacke et al. D15/89
D676,468 S * 2/2013 Lee et al. D15/89
D692,034 S * 10/2013 Seo et al. D15/89
D695,796 S * 12/2013 Lee et al. D15/89

* cited by examiner

(**) Term: **14 Years**
(21) Appl. No.: **29/452,944**
(22) Filed: **Apr. 23, 2013**

Primary Examiner — Thomas Johannes
Assistant Examiner — Khawaja Anwar
(74) *Attorney, Agent, or Firm* — Ladas & Parry LLP

(30) **Foreign Application Priority Data**

Oct. 24, 2012 (KR) 30-2012-0050652

(51) **LOC (10) Cl.** **15-07**
(52) **U.S. Cl.**
USPC **D15/89**

(58) **Field of Classification Search**
USPC D15/79–89, 91; 62/3.6, 125, 126, 187,
62/246–255, 440–445; 312/116, 138.1,
312/236, 321.5, 330.1, 400–408, 351,
312/139.2, 128.3; 211/153, 90.02; D6/574;
D19/75, 77, 78, 86, 87, 90, 91
See application file for complete search history.

(56) **References Cited**

U.S. PATENT DOCUMENTS

D344,739 S * 3/1994 Edman et al. D15/89
D385,287 S * 10/1997 Westcott D15/89

(57) **CLAIM**

The ornamental design for a tray, as shown and described.

DESCRIPTION

FIG. 1 is the front/right-side/top perspective view of a tray showing our new design;
FIG. 2 is the front-side elevation view thereof;
FIG. 3 is the rear-side elevation view thereof;
FIG. 4 is the left-side elevation view thereof;
FIG. 5 is the right-side elevation view thereof;
FIG. 6 is the top-side elevation view thereof;
FIG. 7 is the bottom-side elevation view thereof; and,
FIG. 8 shows the tray installed in an unclaimed environment. The shade lines in the Figures show the transparency and the flatness, and not surface ornamentation. The broken lines in the drawing show unclaimed environment only and form no part of the claimed design.

1 Claim, 6 Drawing Sheets

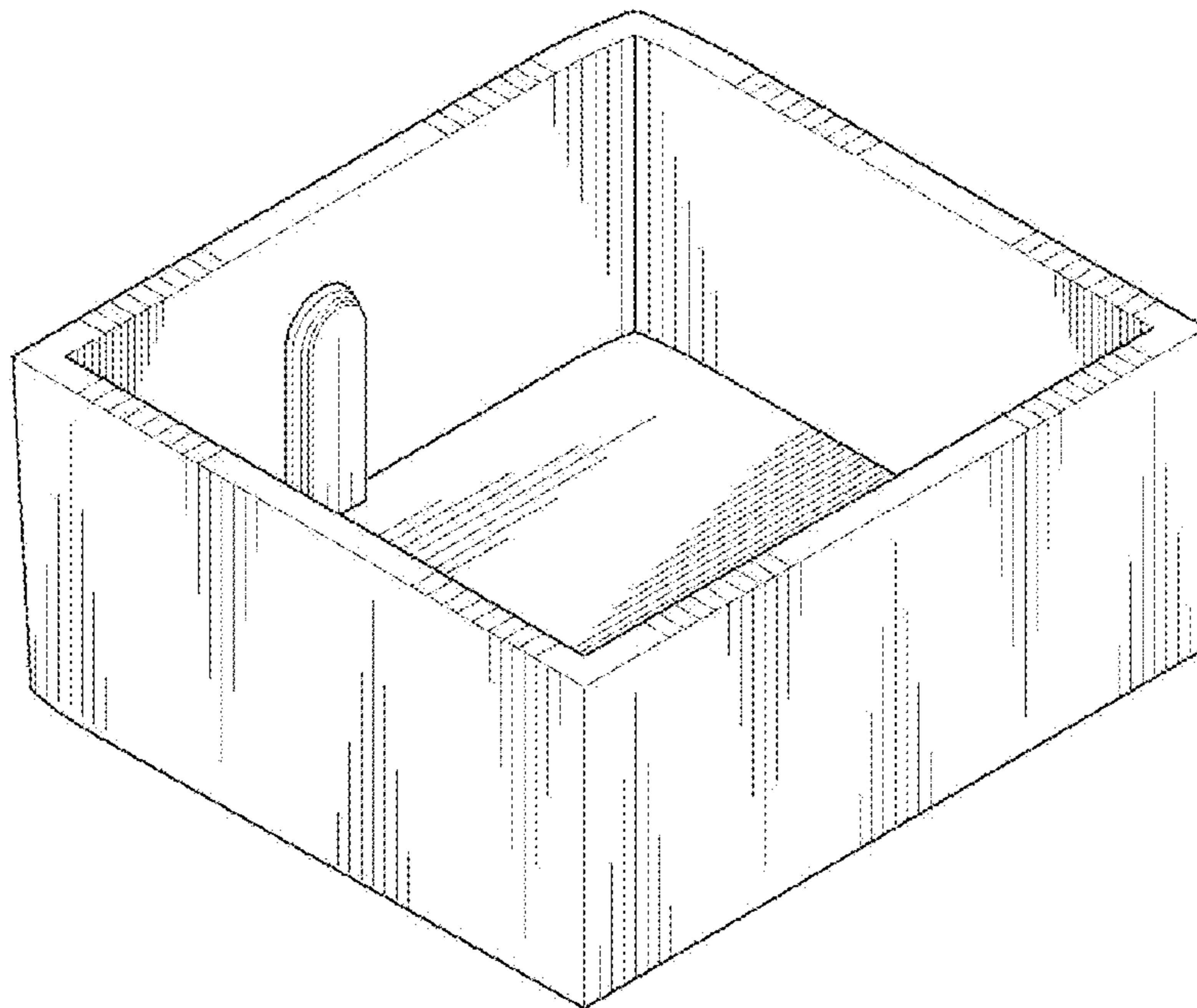


FIG. 1

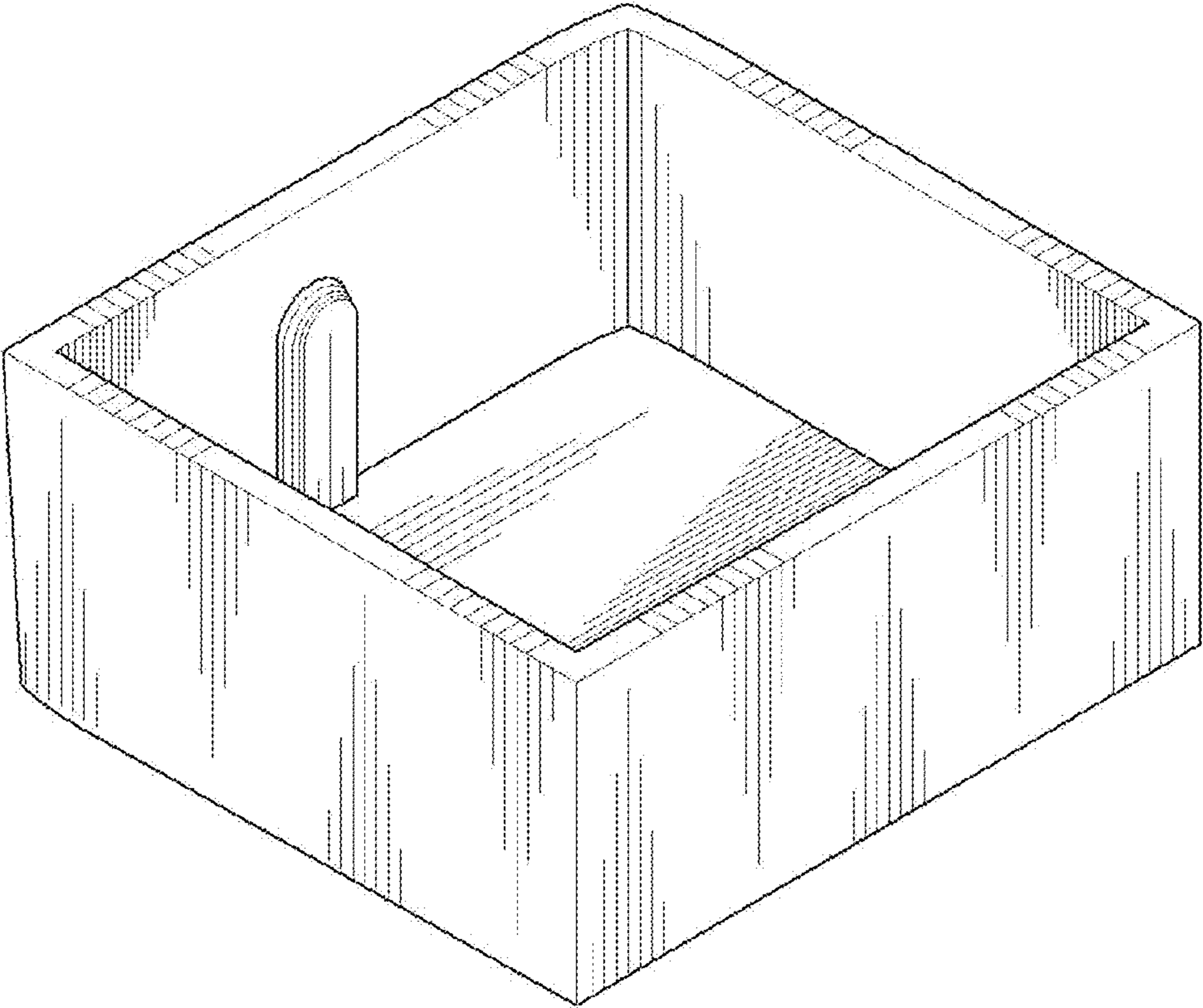


FIG. 2

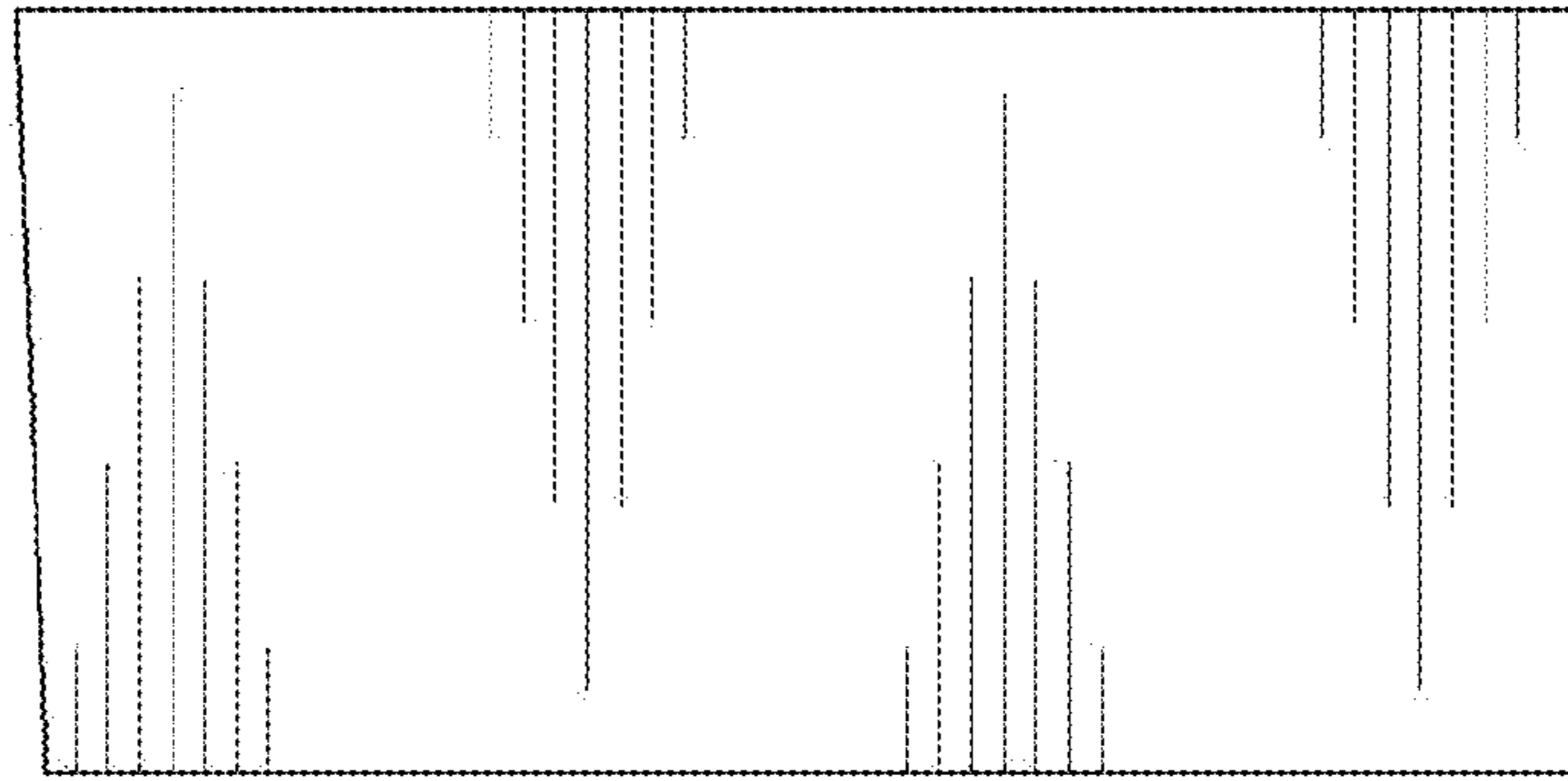


FIG. 3

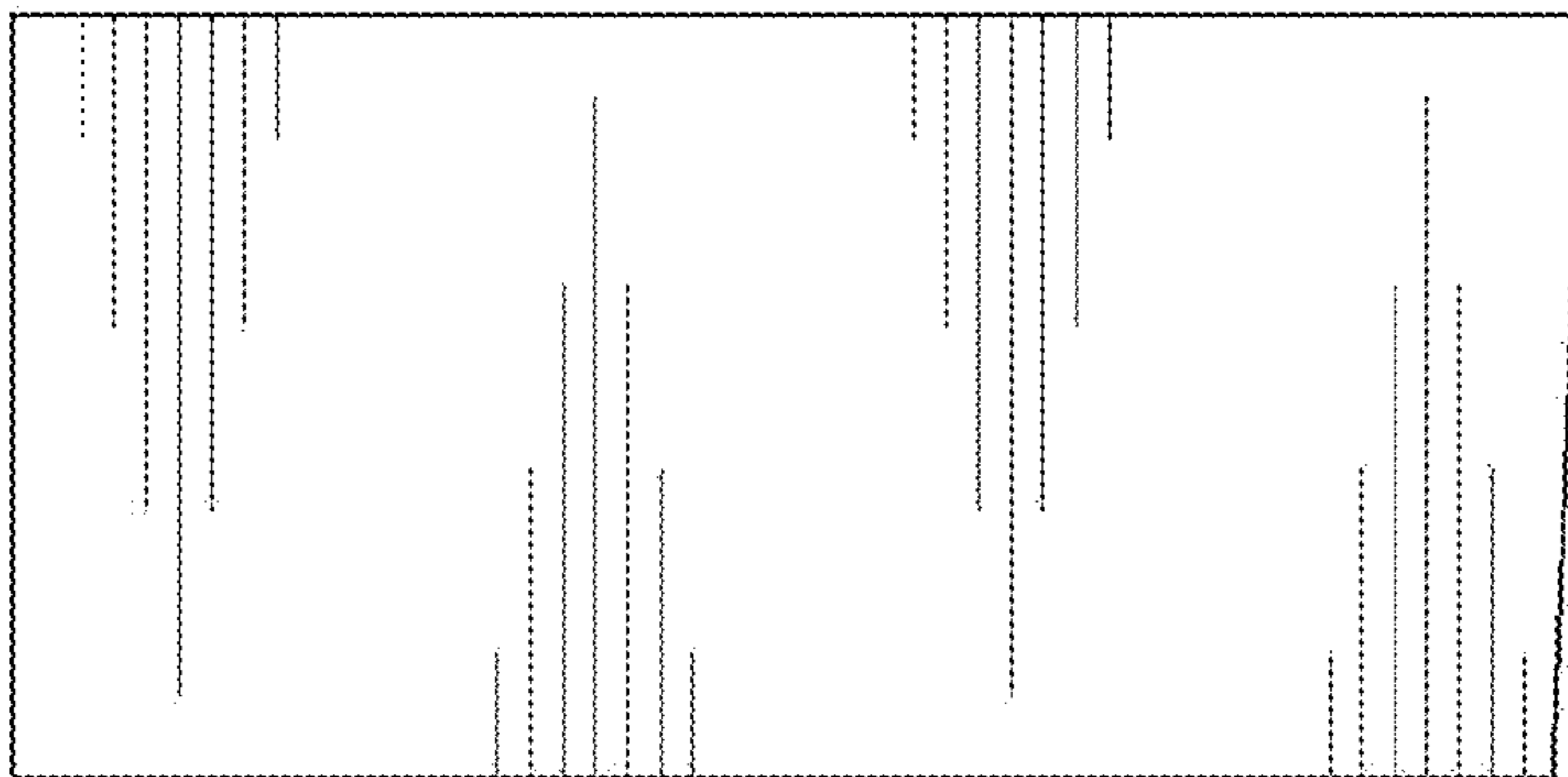


FIG. 4

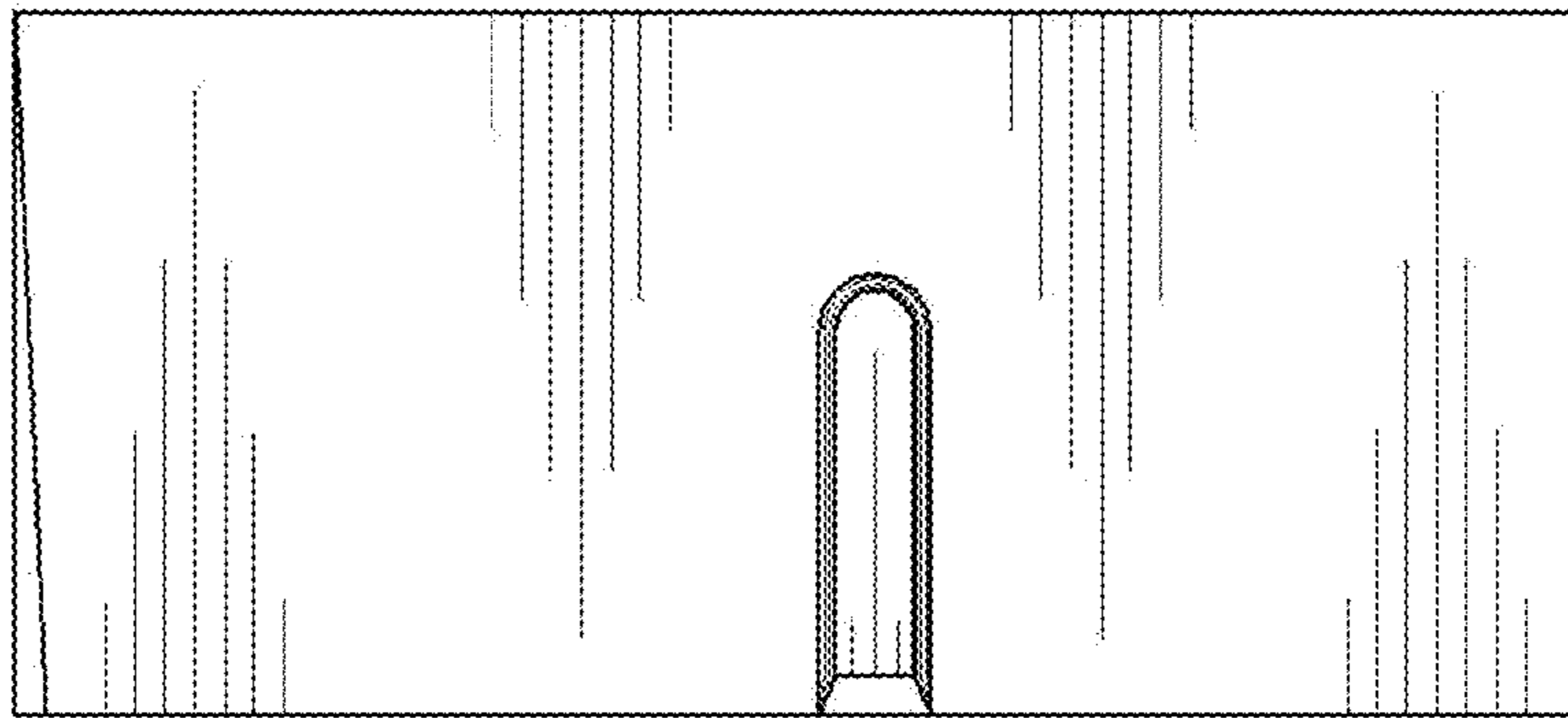


FIG. 5

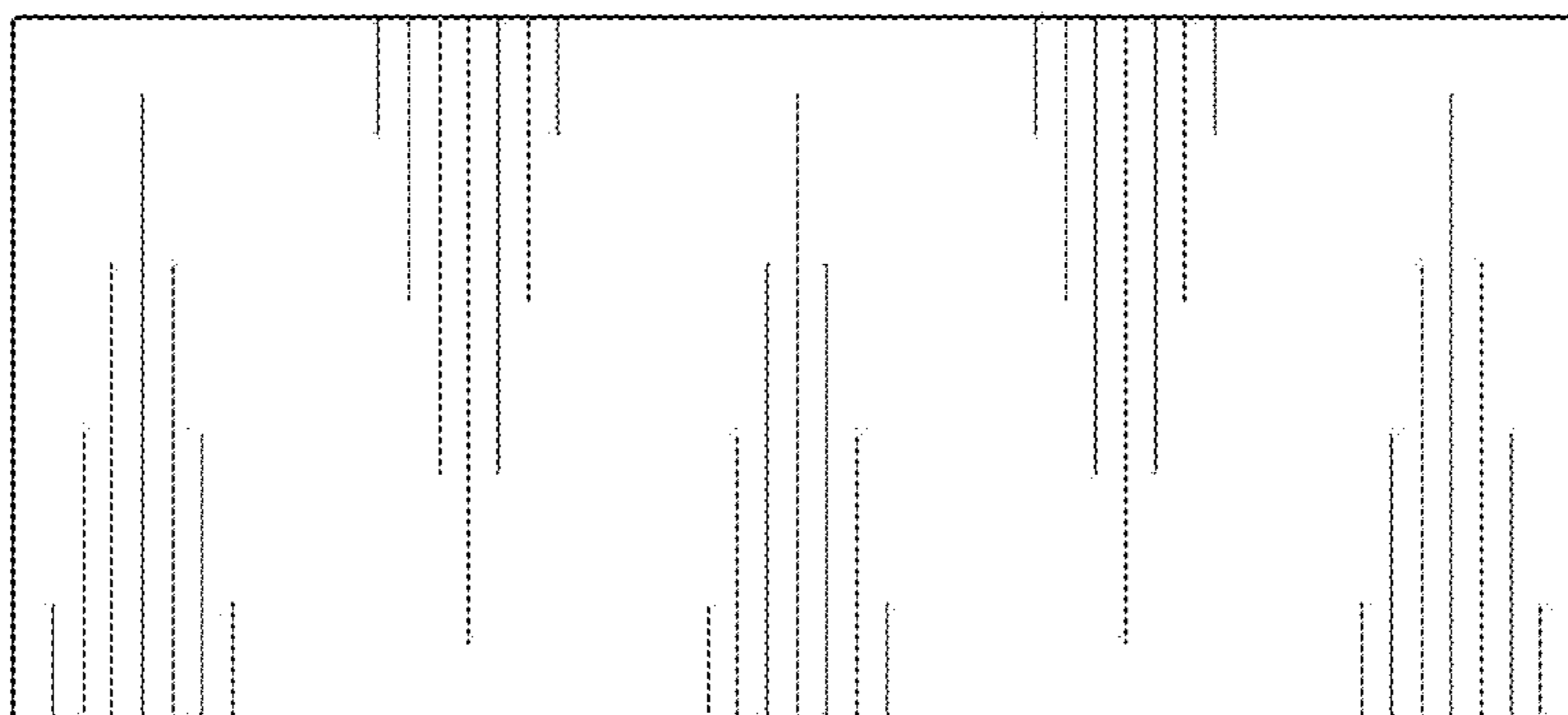


FIG. 6

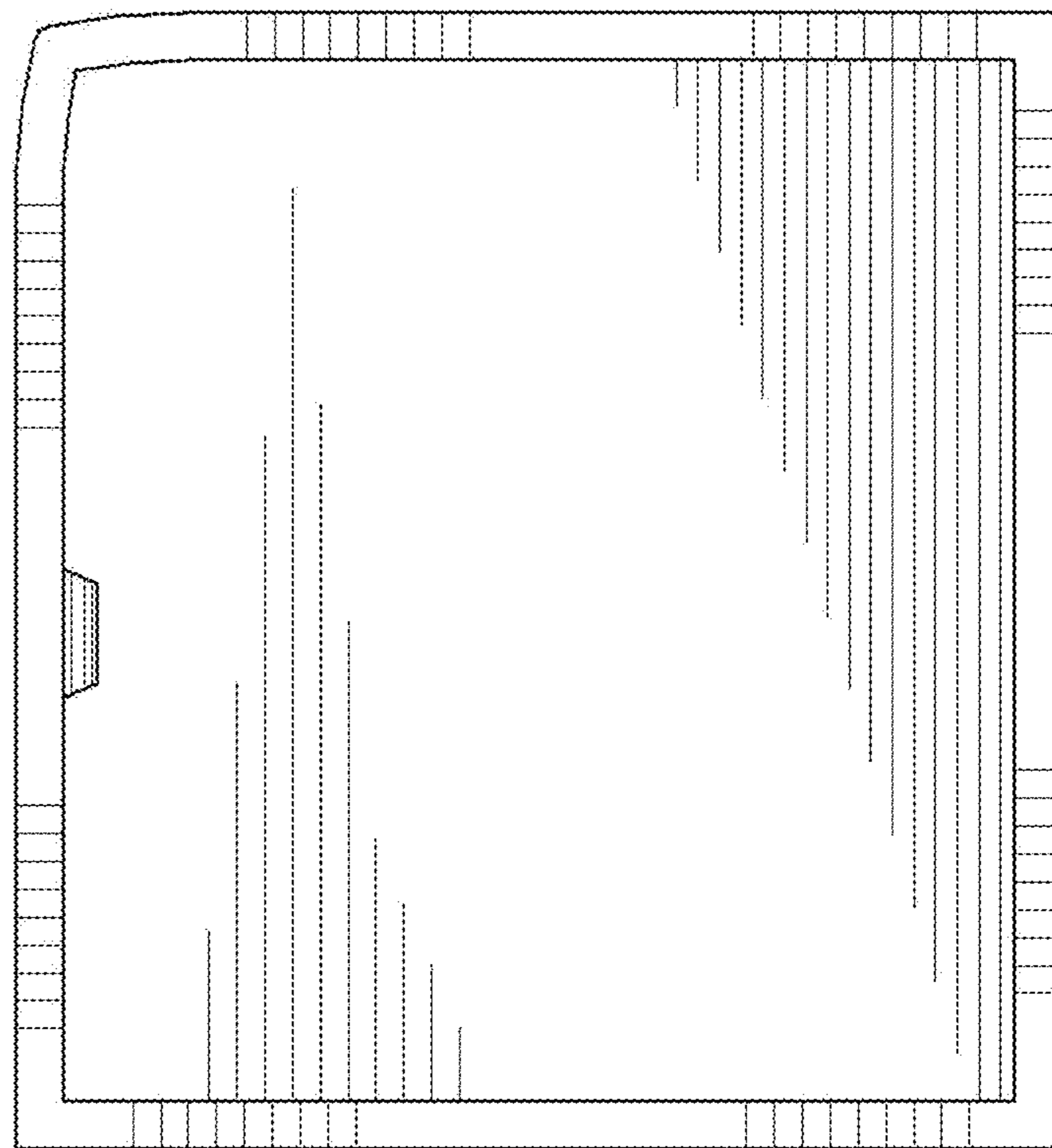


FIG. 7

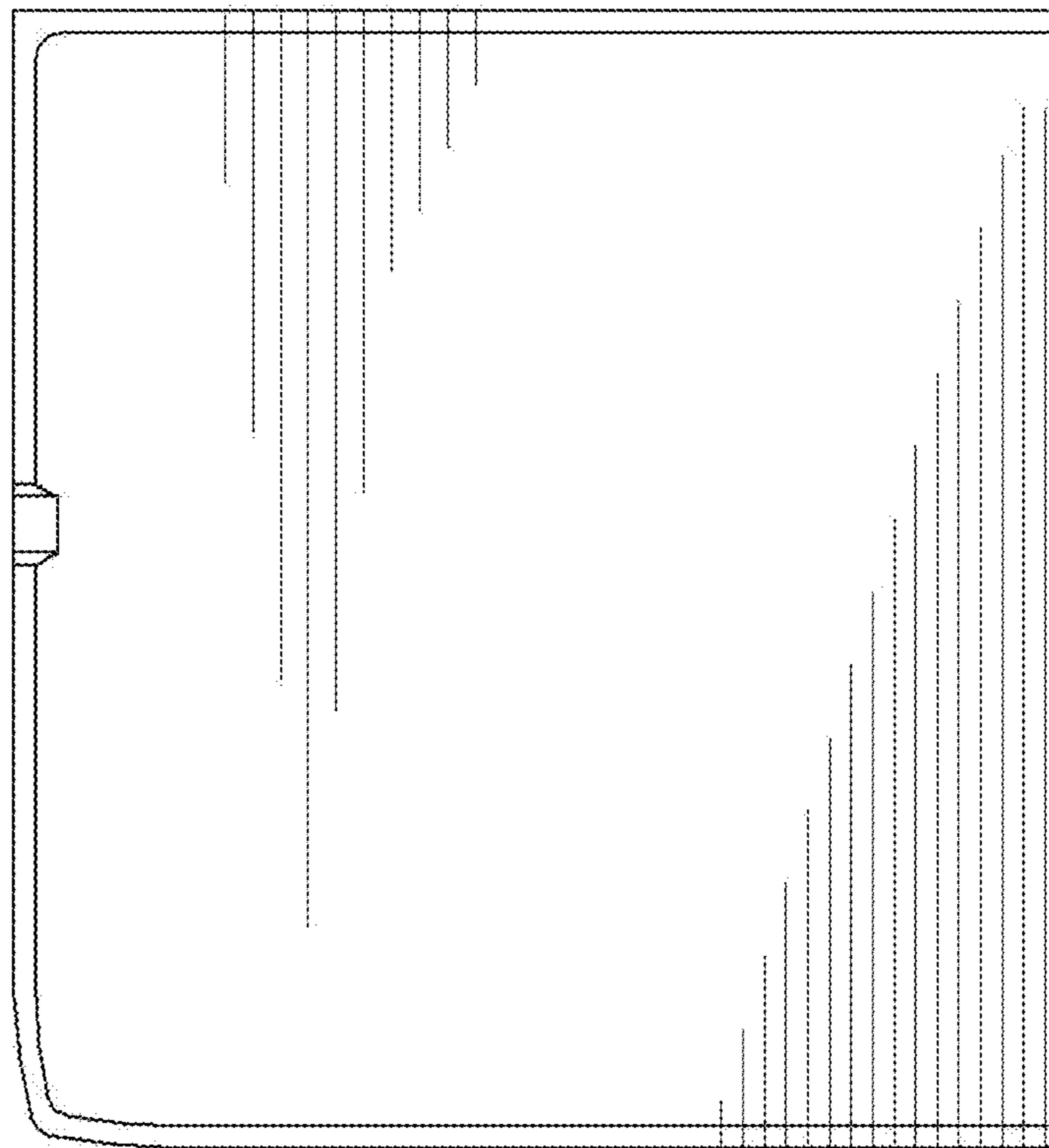


FIG. 8

