



US00D709925S

(12) **United States Design Patent**
Seo et al.

(10) **Patent No.:** **US D709,925 S**
(45) **Date of Patent:** **** Jul. 29, 2014**

(54) **REFRIGERATOR**

(71) Applicant: **LG Electronics Inc.**, Seoul (KR)

(72) Inventors: **Woonkyu Seo**, Seoul (KR); **Seonkyu Kim**, Seoul (KR); **Soomin Seo**, Seoul (KR); **Daesung Lee**, Gwangmyeong-si (KP)

(73) Assignee: **LG Electronics Inc.**, Seoul (KR)

(**) Term: **14 Years**

(21) Appl. No.: **29/451,901**

(22) Filed: **Apr. 10, 2013**

(30) **Foreign Application Priority Data**

Oct. 11, 2012 (KR) 30-2012-0048442

(51) **LOC (10) Cl.** **15-07**

(52) **U.S. Cl.**
USPC **D15/89**

(58) **Field of Classification Search**
USPC D15/79-89, 91; 312/236, 352,
312/400-408, 114-119; 62/3.1-3.64, 98,
62/236, 275, 331, 334, 352, 371, 440, 467,
62/526, 531
See application file for complete search history.

(56) **References Cited**

U.S. PATENT DOCUMENTS

6,447,083	B1 *	9/2002	Chiapetta et al.	312/404
D491,204	S *	6/2004	Sagawa et al.	D15/86
D616,000	S *	5/2010	Yang et al.	D15/86
7,950,754	B2 *	5/2011	Brown et al.	312/402
D656,968	S *	4/2012	Hwang et al.	D15/86
D658,214	S *	4/2012	Seo et al.	D15/86
D671,151	S *	11/2012	Seo et al.	D15/86
D671,152	S *	11/2012	Seo et al.	D15/89

* cited by examiner

Primary Examiner — Thomas Johannes

Assistant Examiner — Khawaja Anwar

(74) *Attorney, Agent, or Firm* — Birch, Stewart, Kolasch & Birch, LLP

(57) **CLAIM**

The ornamental design for a refrigerator, shown and described.

DESCRIPTION

FIG. 1 is a perspective view of a refrigerator showing our new design;

FIG. 2 is a front view thereof;

FIG. 3 is a rear view thereof;

FIG. 4 is a left view thereof;

FIG. 5 is a right view thereof;

FIG. 6 is a top plan view thereof;

FIG. 7 is a bottom plan view thereof;

FIG. 8 is a reference perspective view thereof showing the state in which an internal element of the claimed environment has been detached;

FIG. 9 is a reference perspective view thereof showing that all elements of the claimed environment have been open in sequence; and

FIG. 10 is a perspective view thereof showing the state in which an internal element of the claimed environment has been open.

FIG. 11 is a left view of FIG. 10;

FIG. 12 is a right view of FIG. 10;

FIG. 13 is a top plan view of FIG. 10;

FIG. 14 is a perspective view thereof showing the state in which certain internal elements of the claimed environment have been open.

FIG. 15 is a left view of FIG. 14;

FIG. 16 is a right view of FIG. 14; and,

FIG. 17 is a top plan view of FIG. 14.

The broken lines in the drawing show unclaimed environment only and form no part of the claimed design.

1 Claim, 17 Drawing Sheets

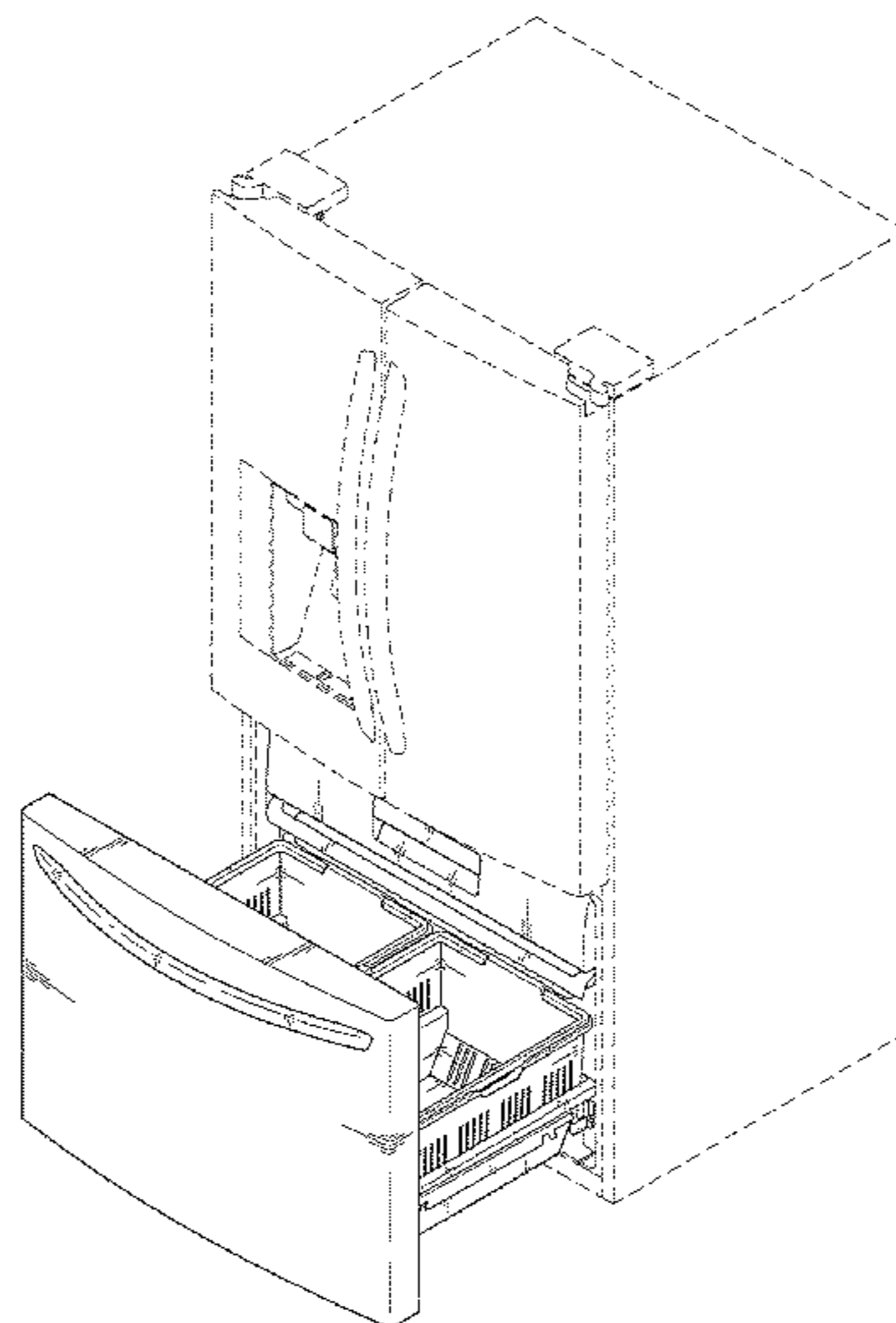


FIG. 1

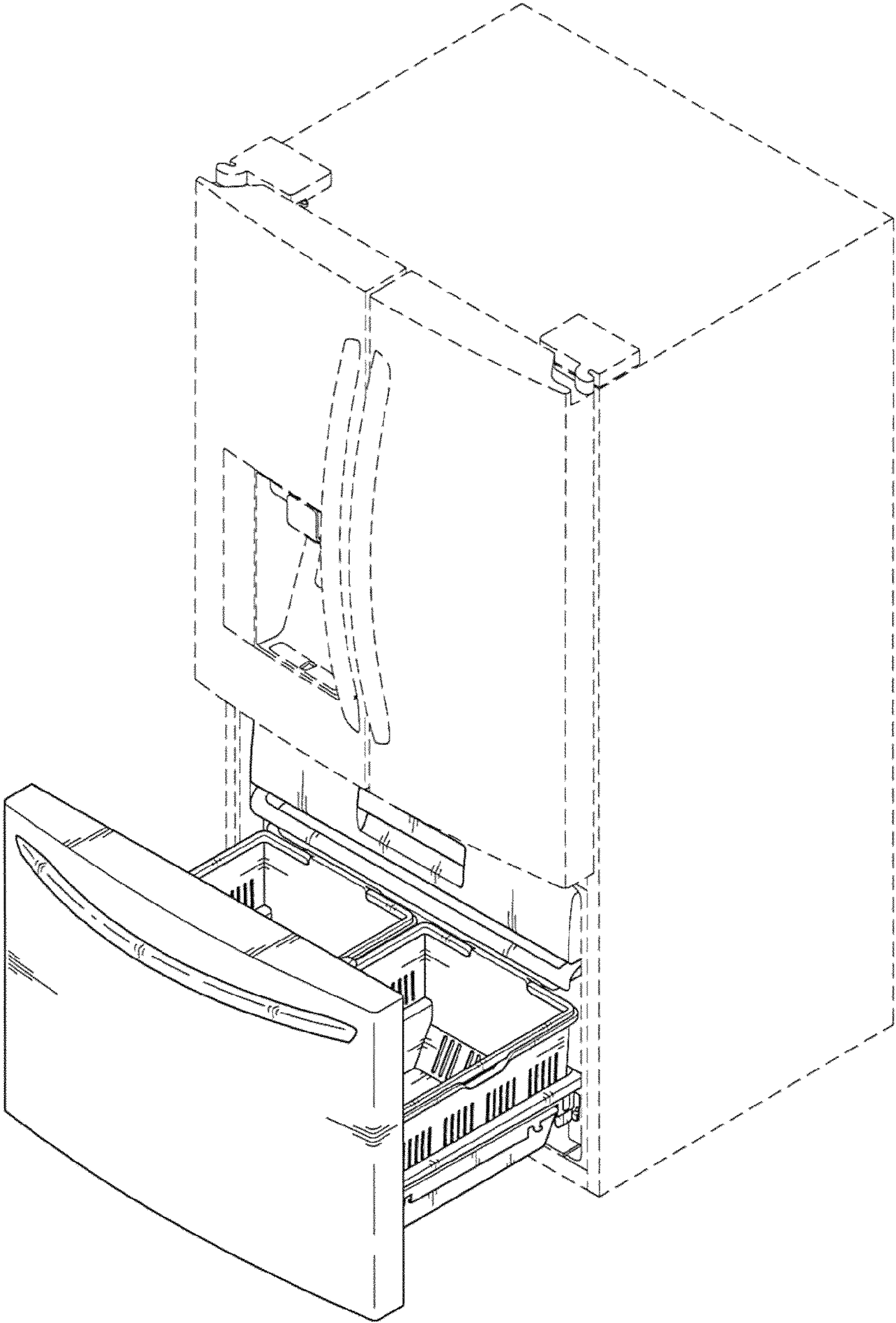


FIG. 2

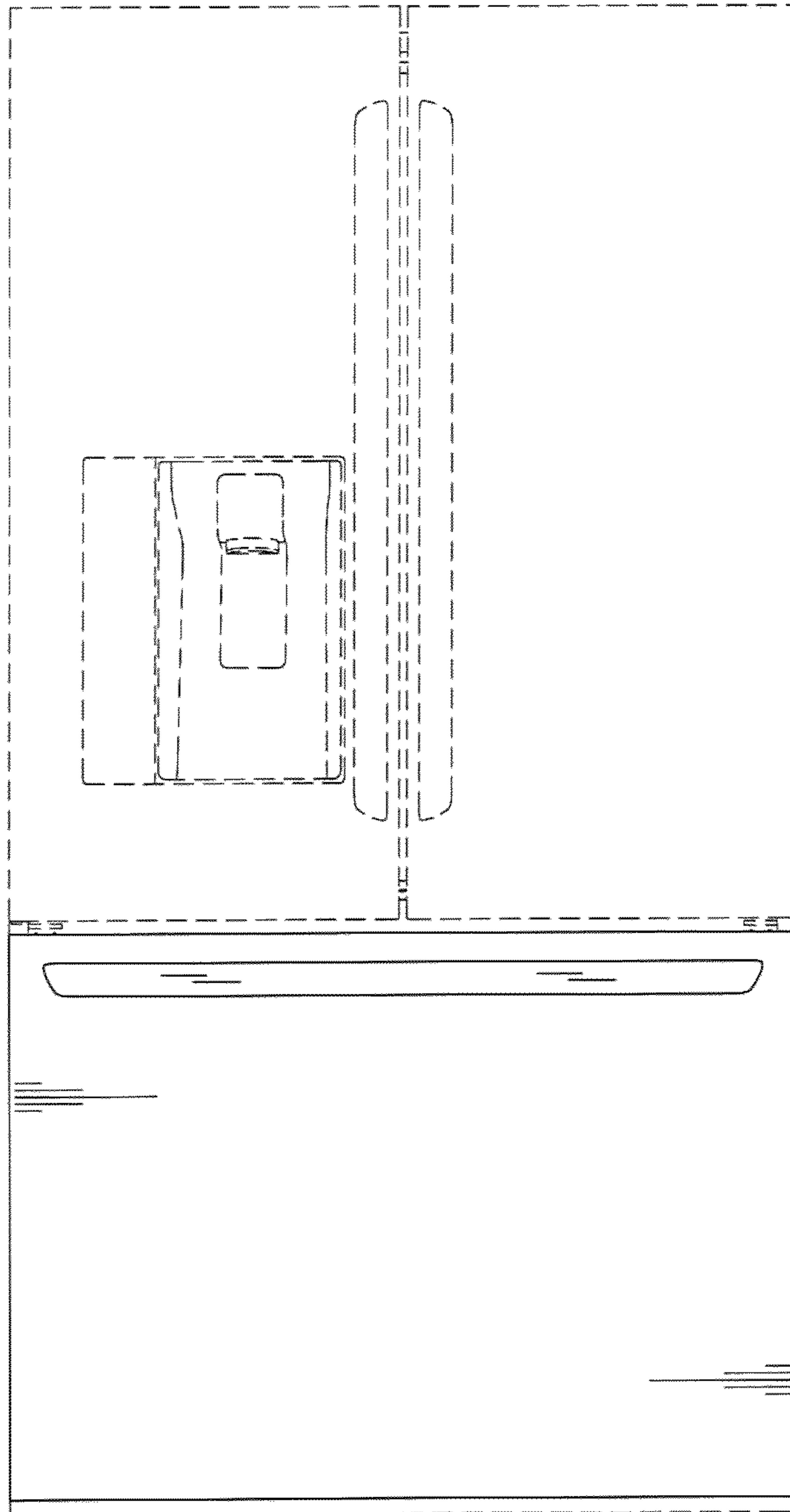


FIG. 3



FIG. 4

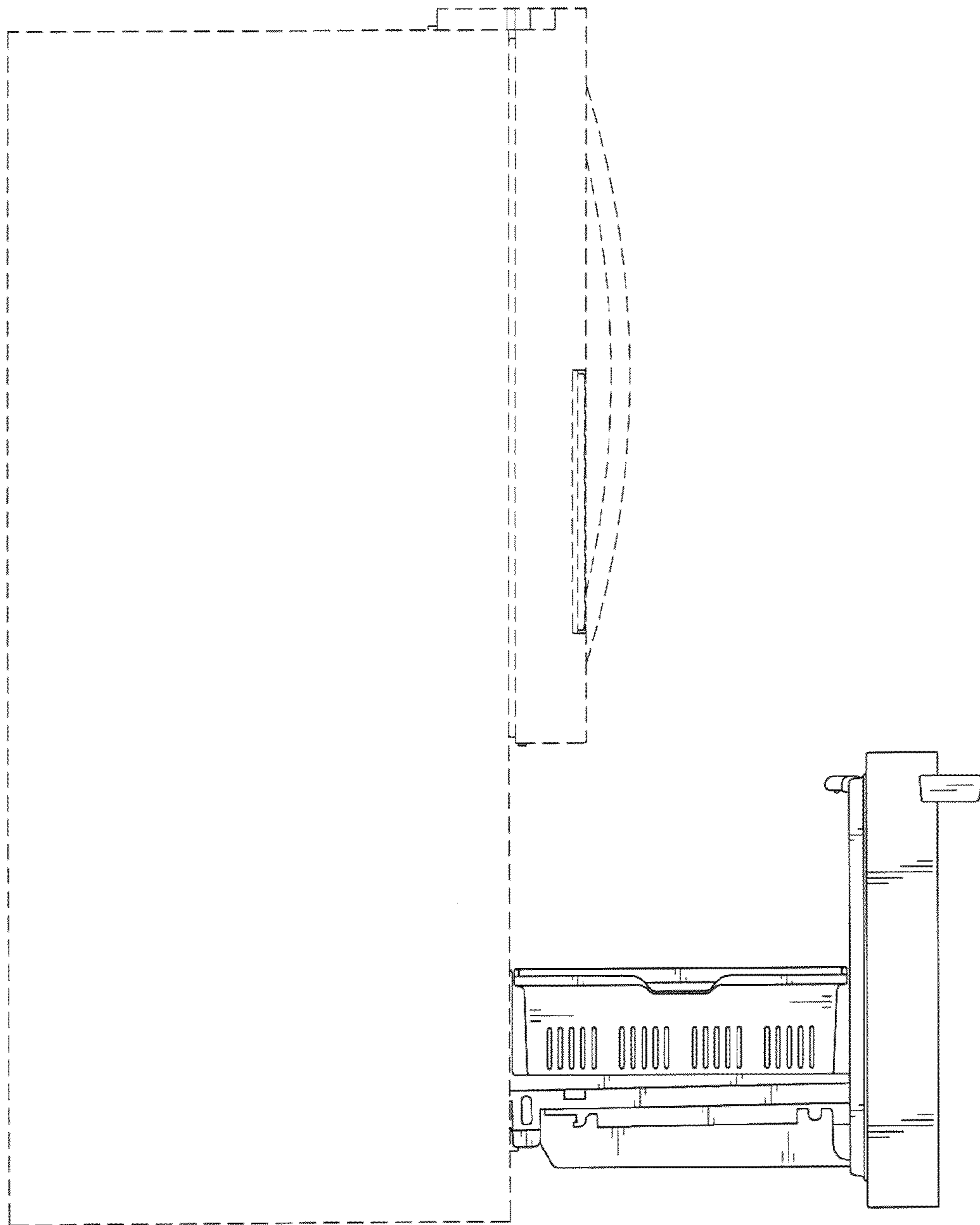


FIG. 5

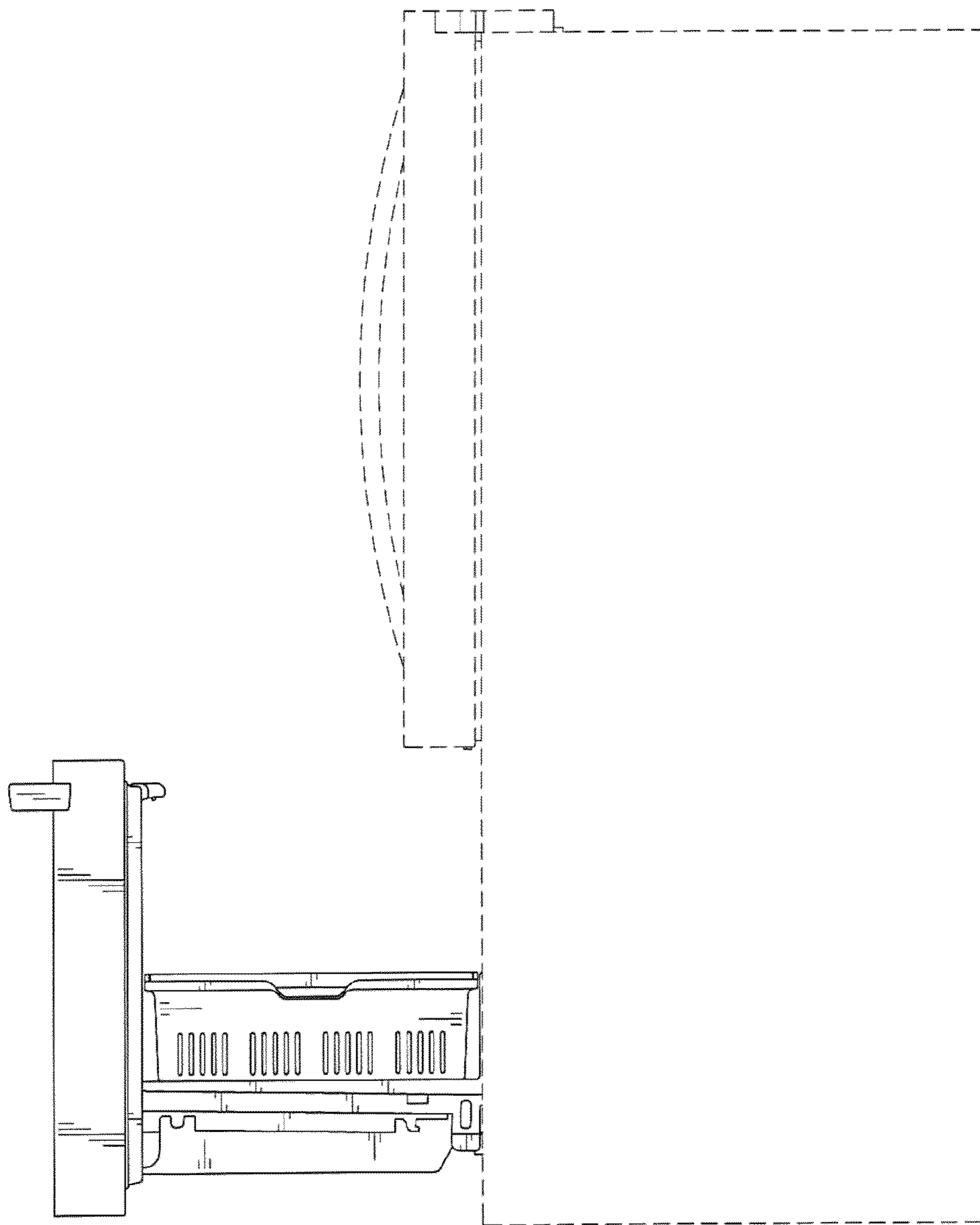


FIG. 6

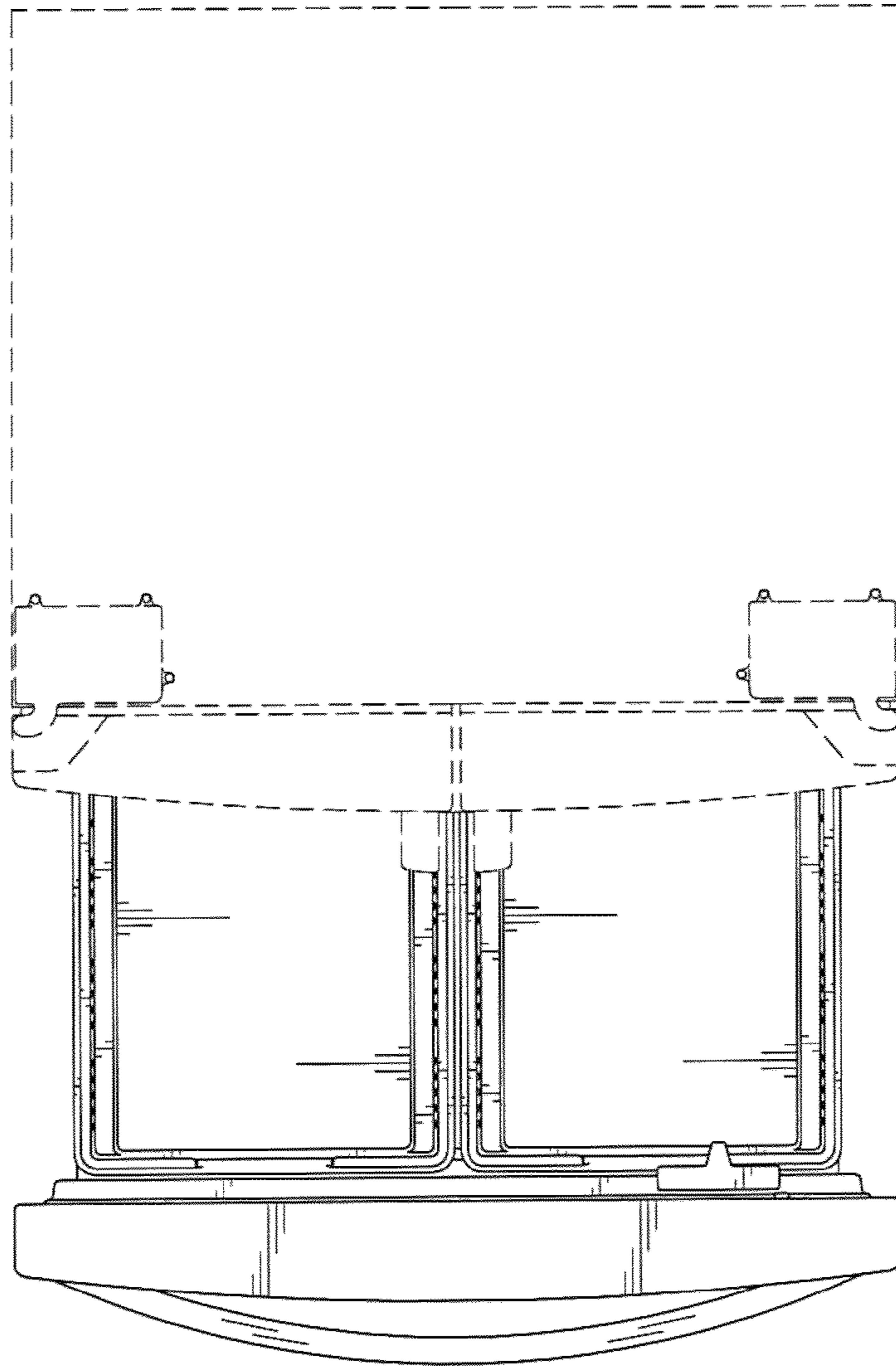


FIG. 7

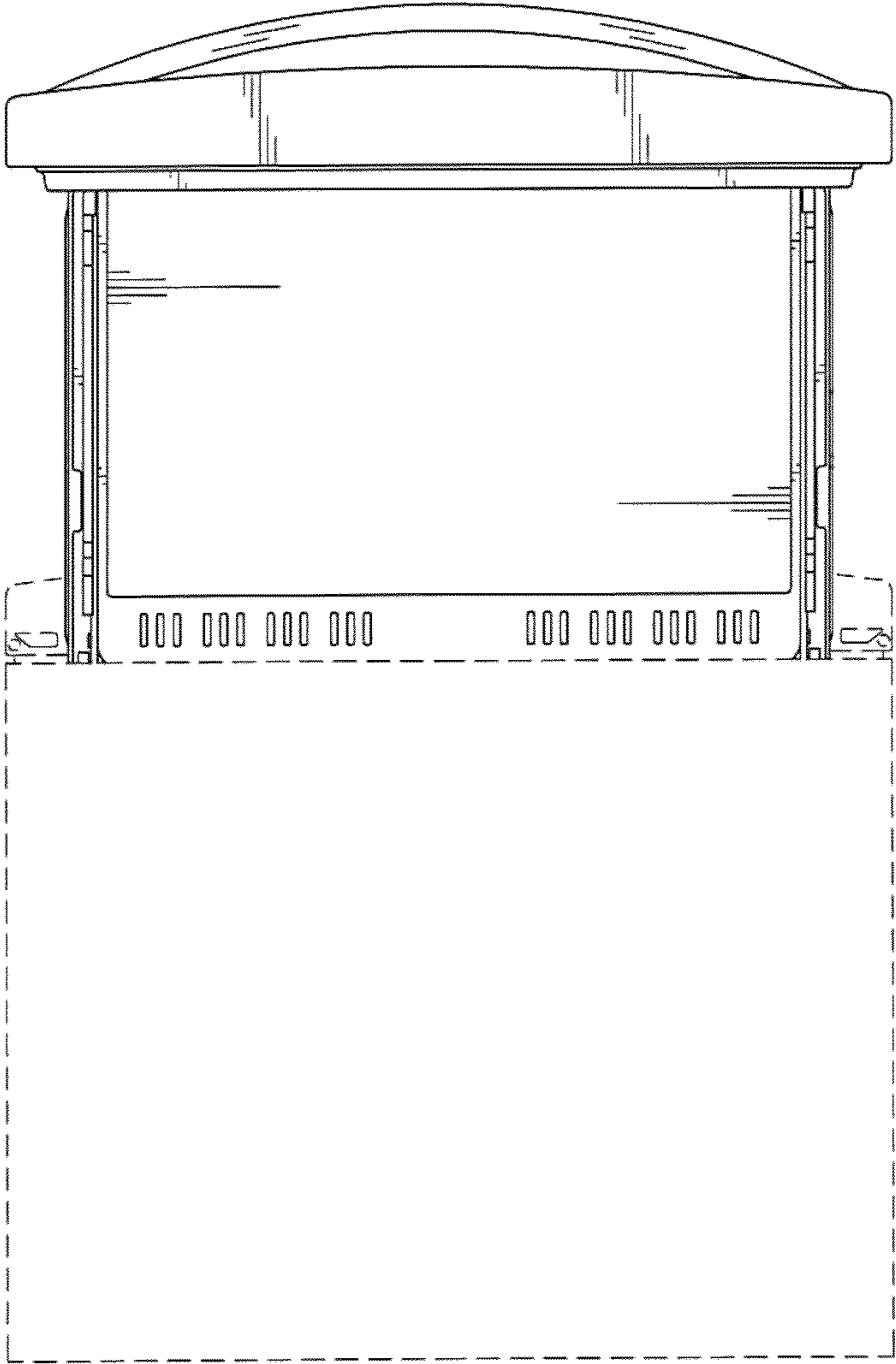


FIG. 8

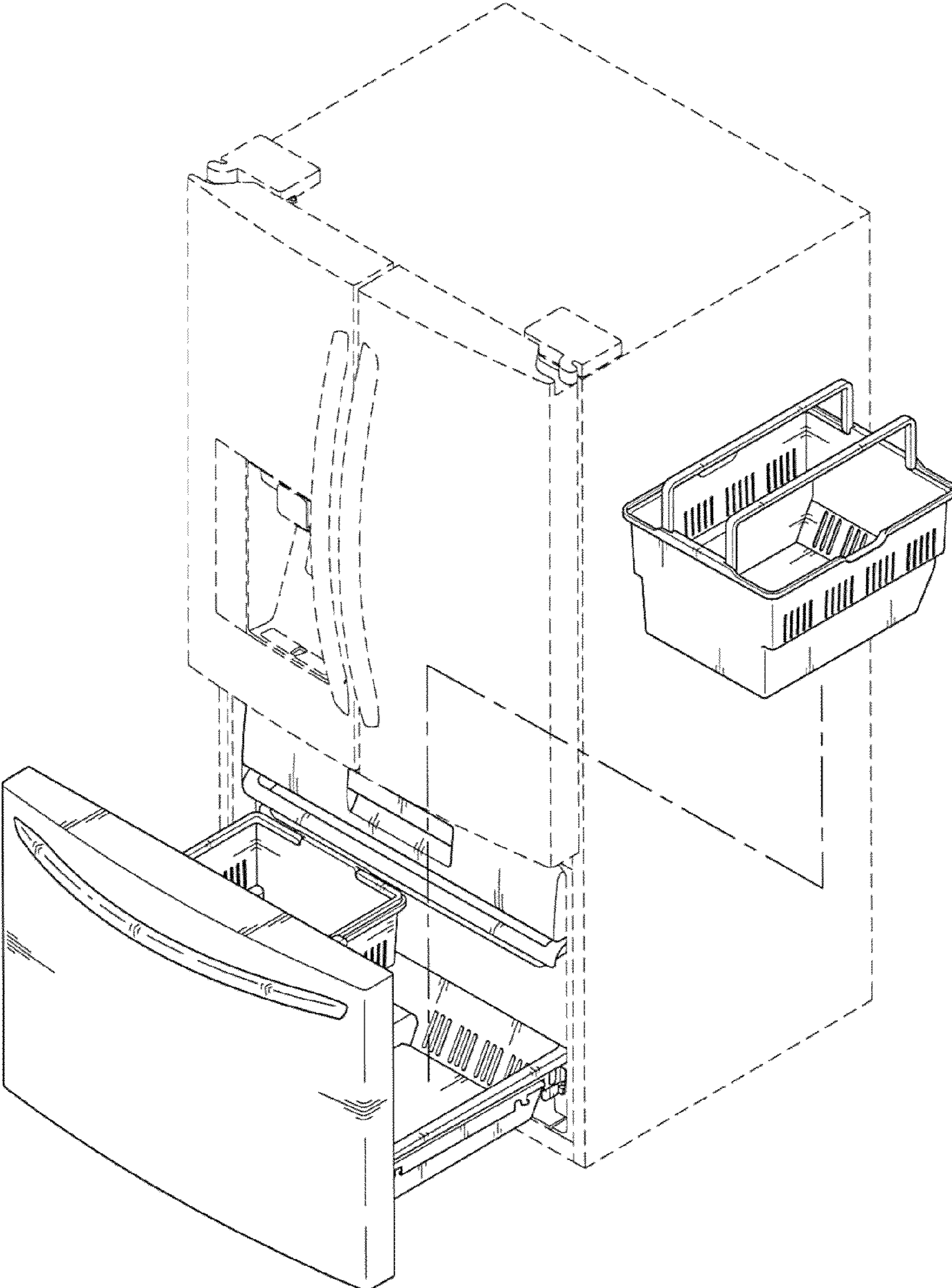


FIG. 9

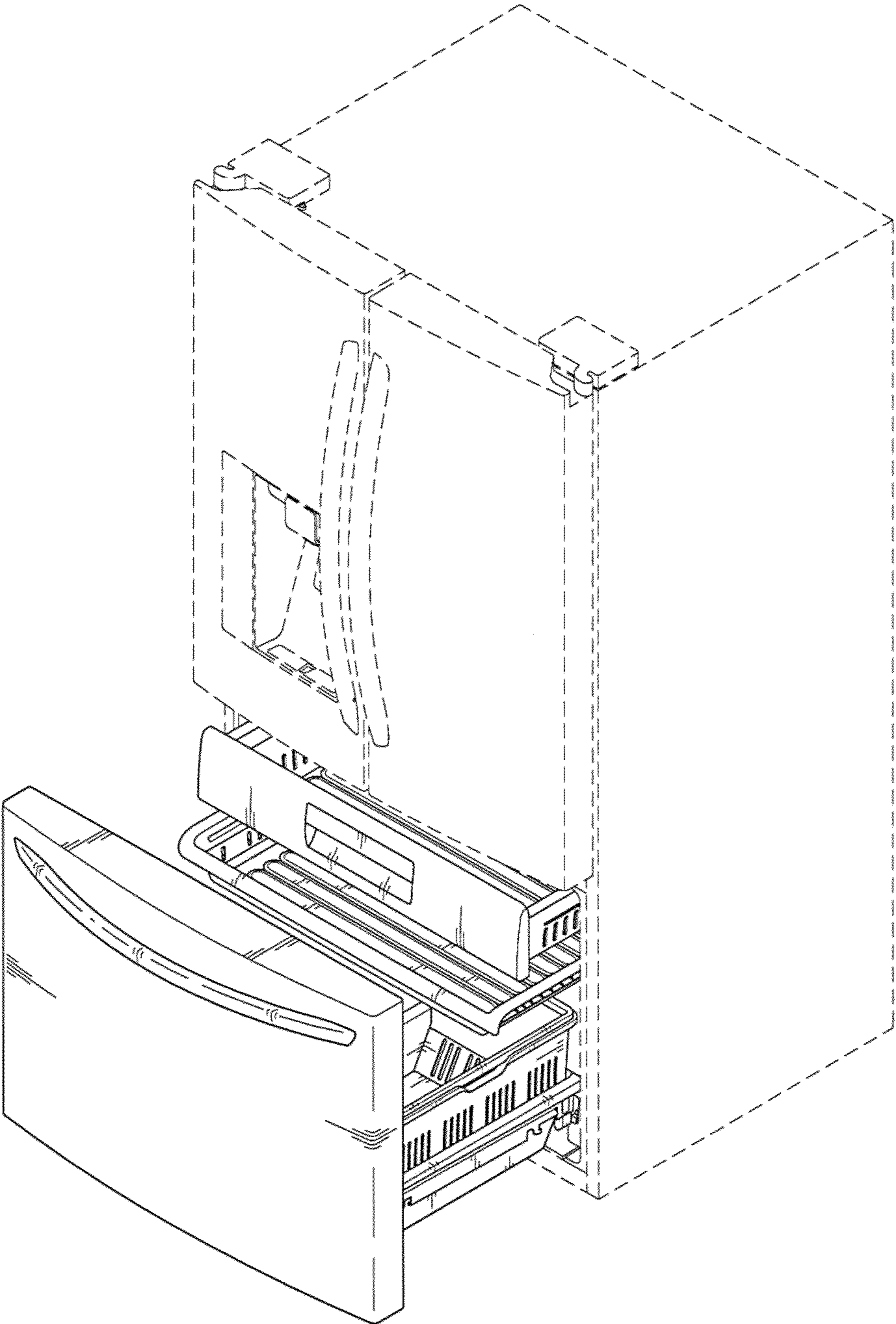


FIG. 10

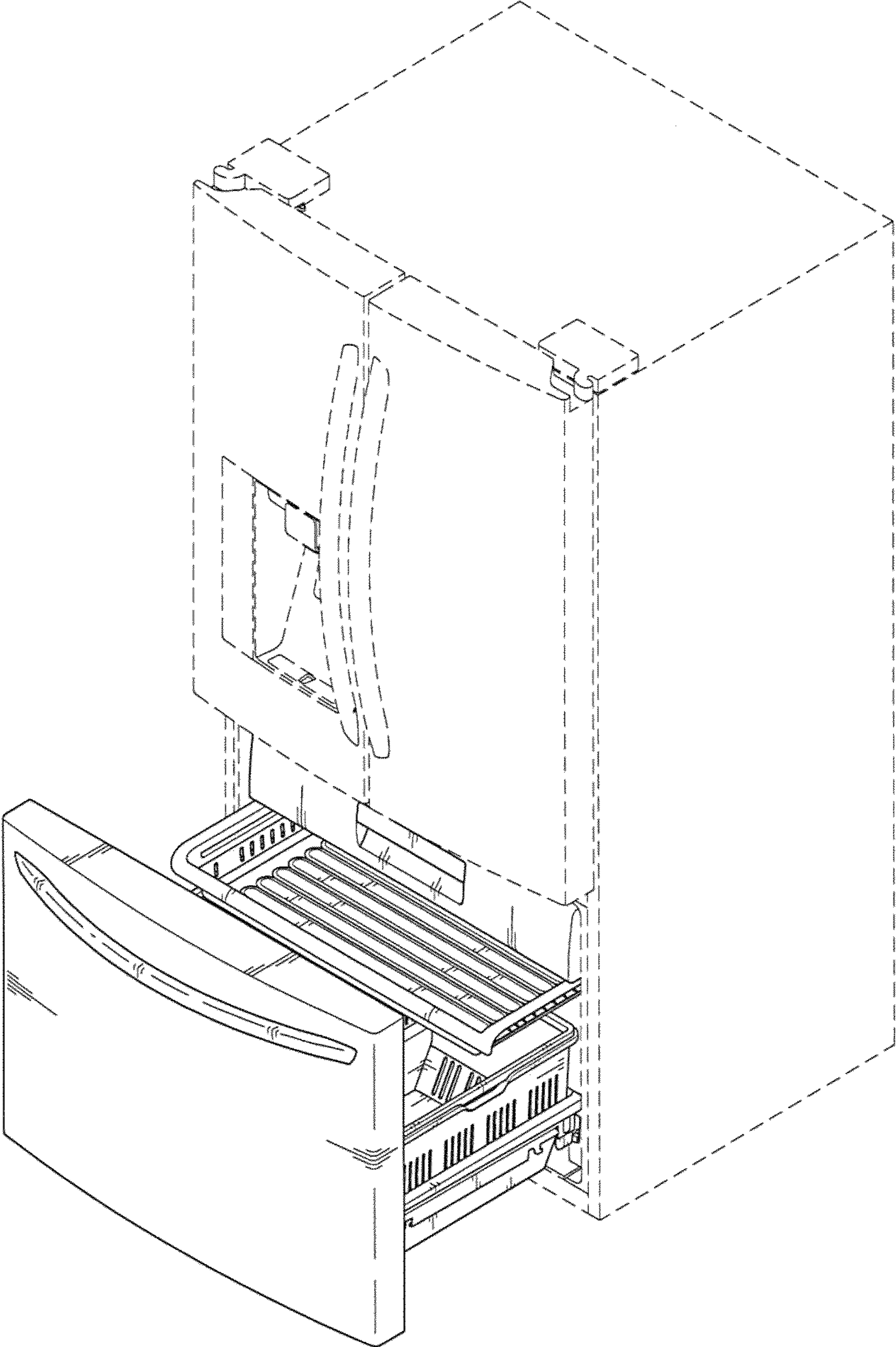


FIG. 11

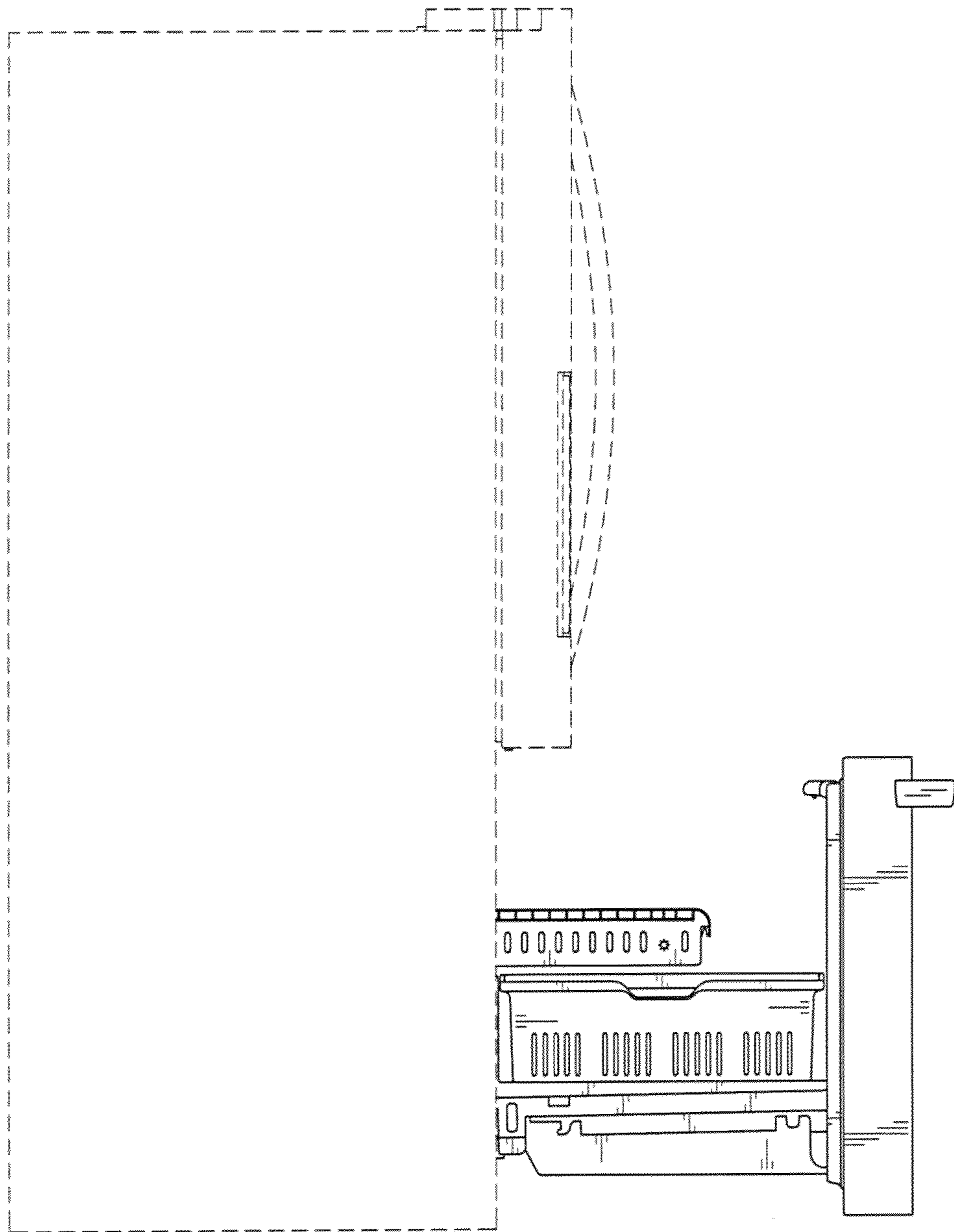


FIG. 12

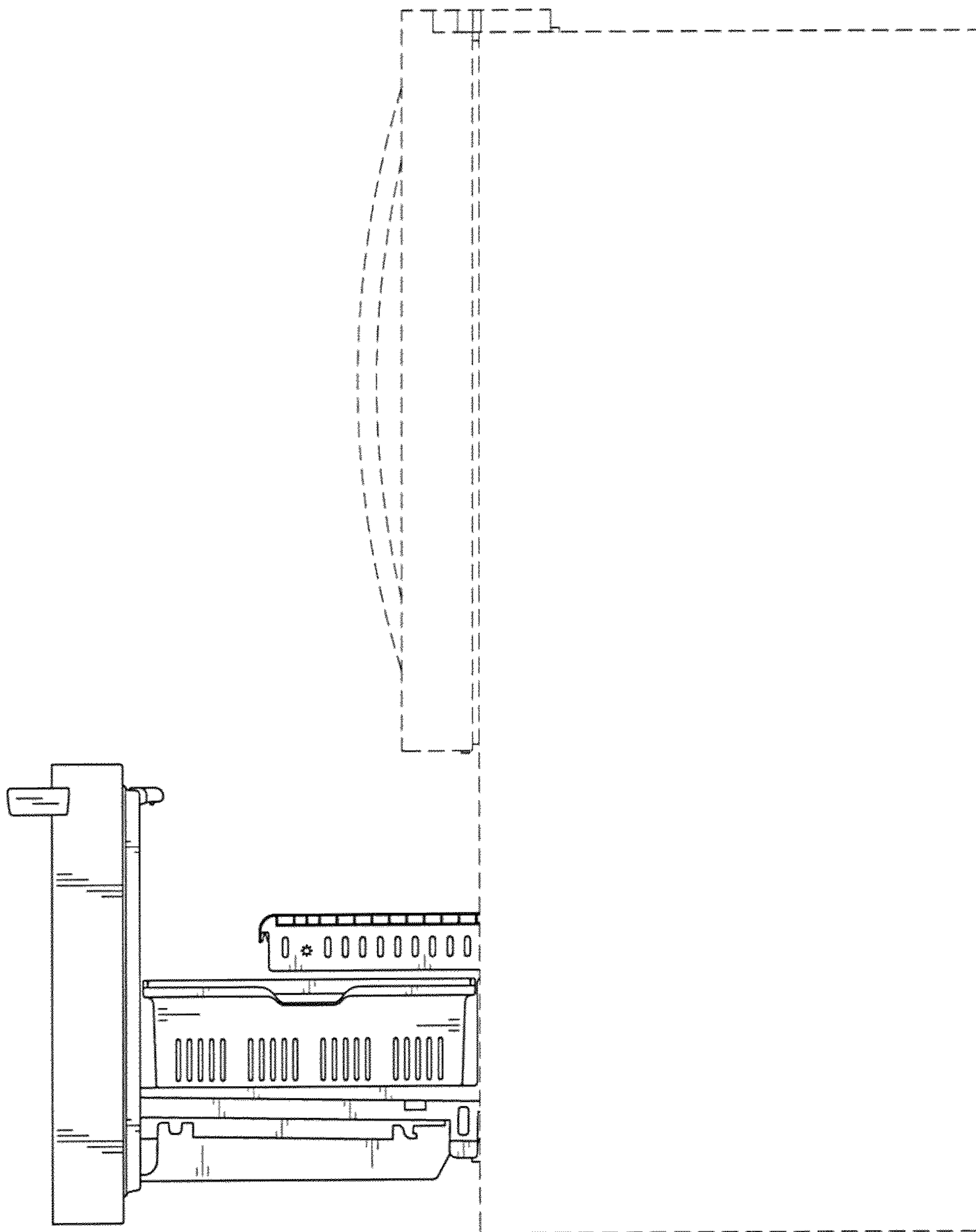


FIG. 13

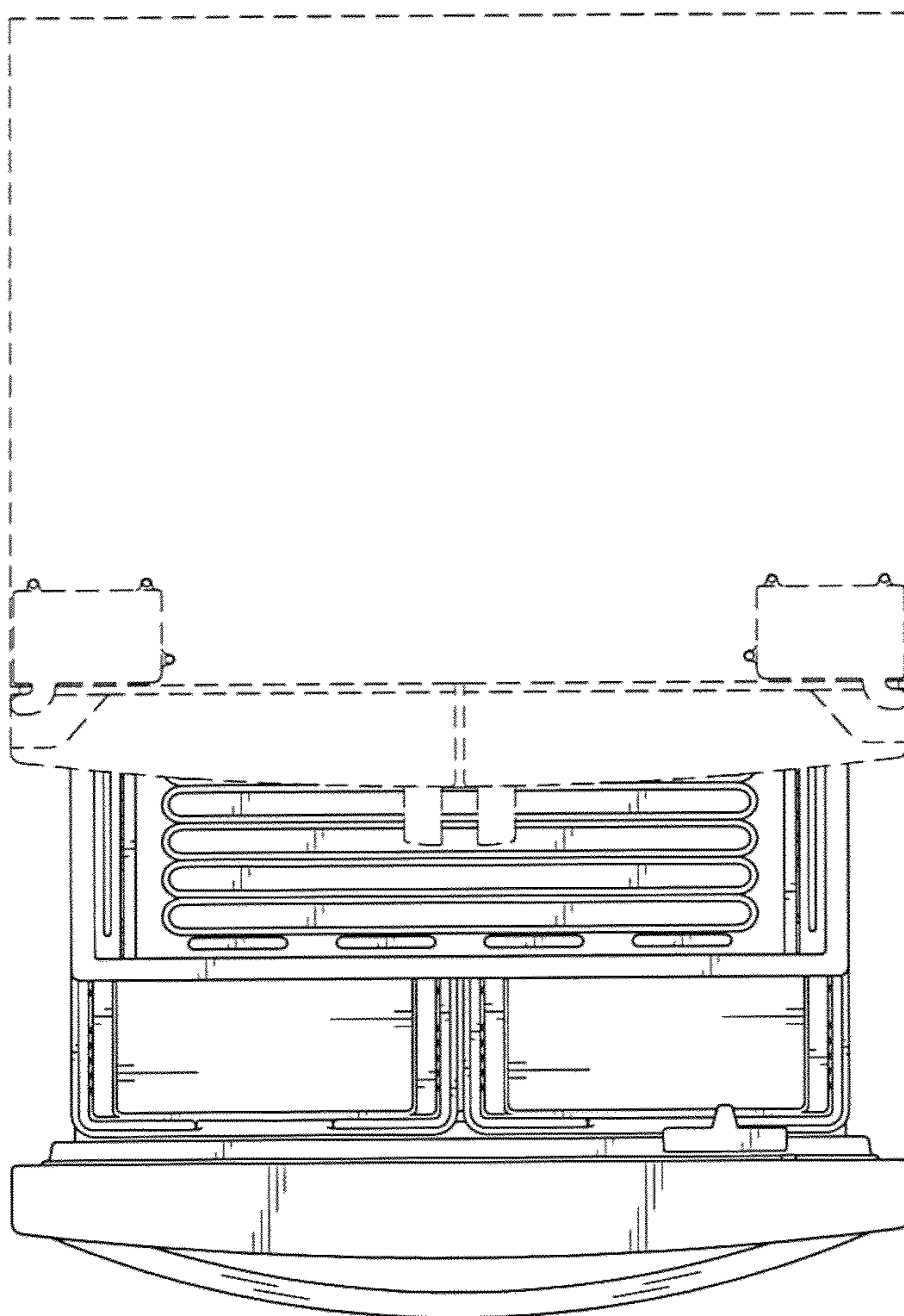


FIG. 14

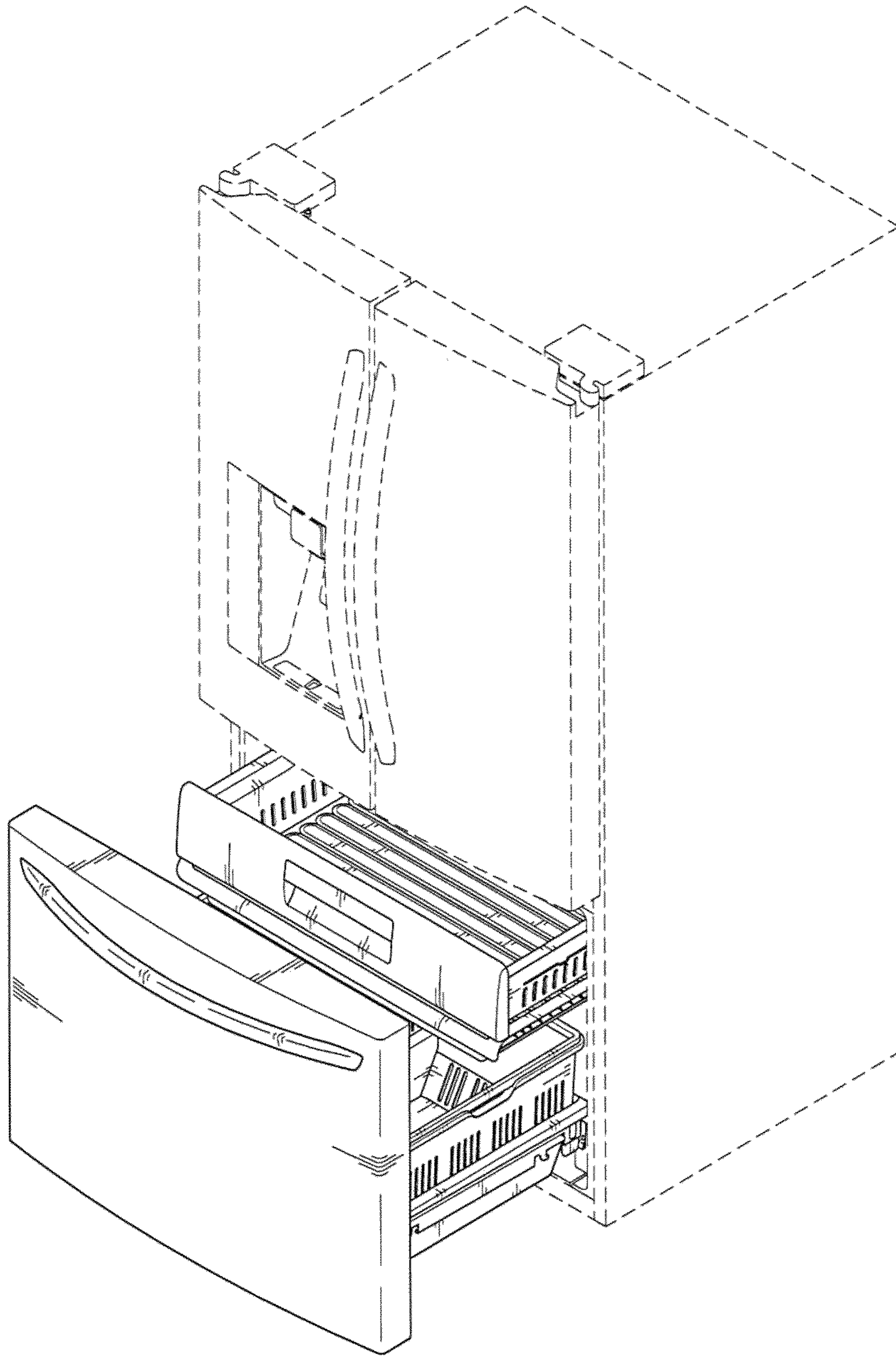


FIG. 15

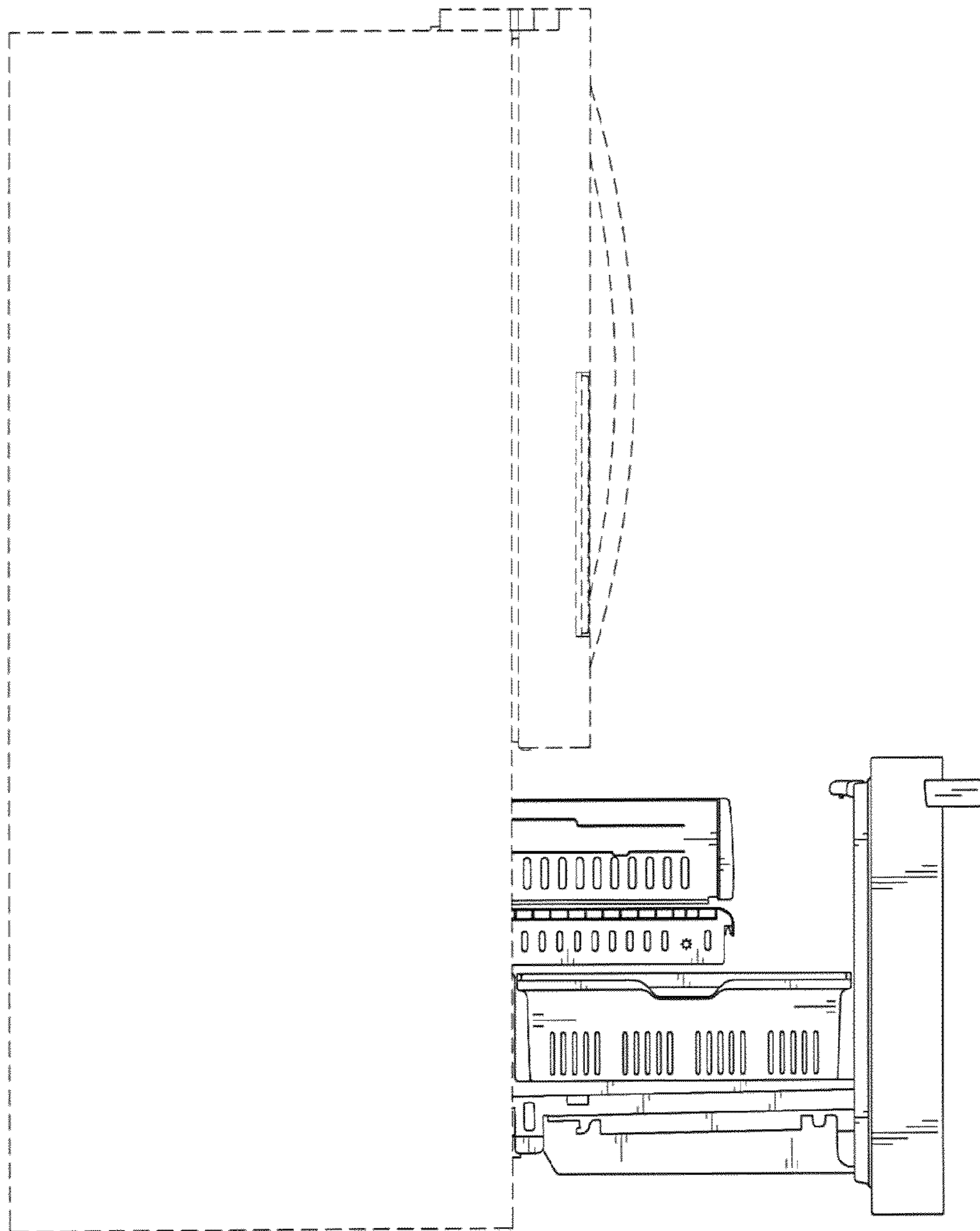


FIG. 16

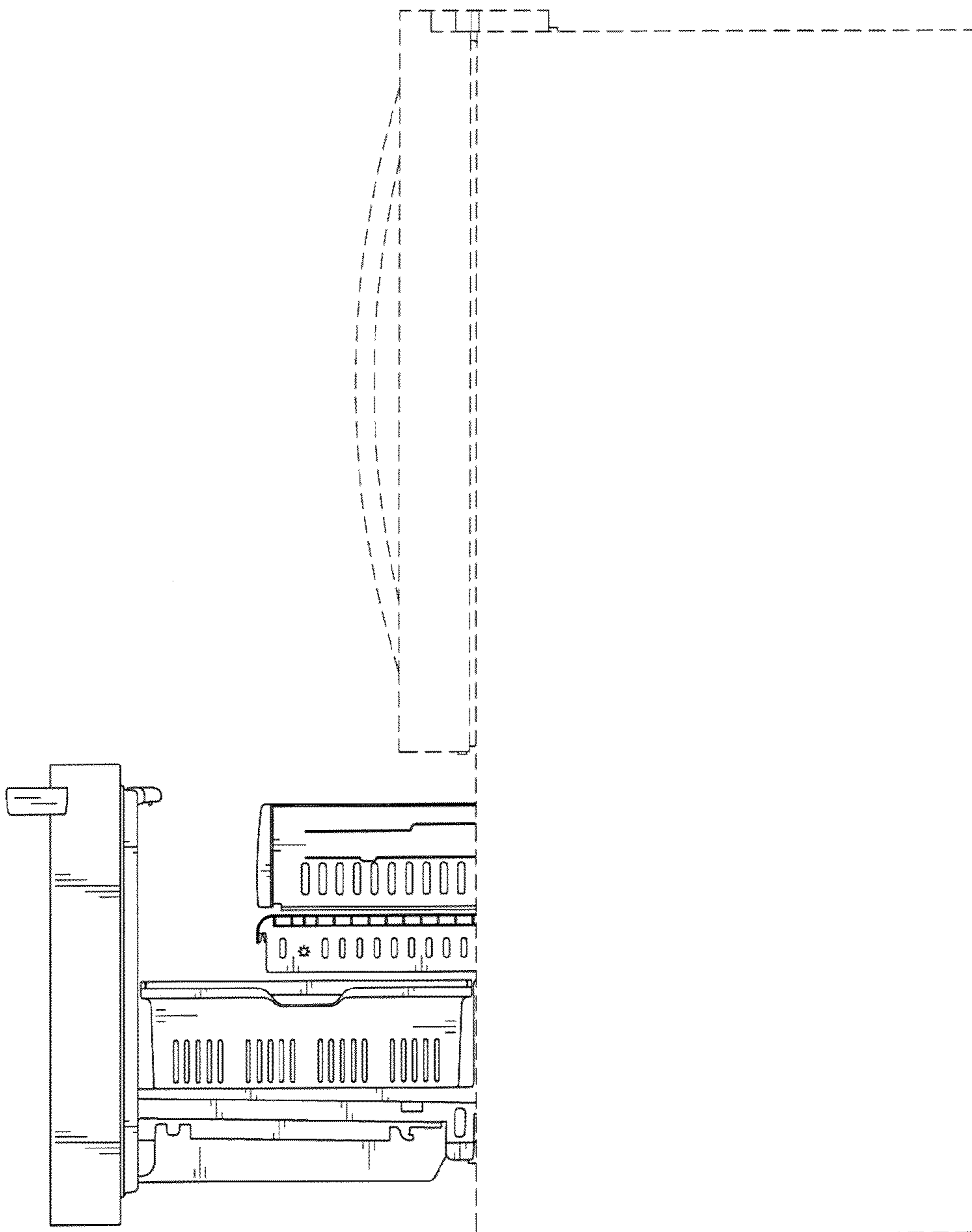


FIG. 17

