



US00D709924S

(12) **United States Design Patent**  
**Cosgrove et al.**

(10) **Patent No.:** **US D709,924 S**  
(45) **Date of Patent:** **\*\* Jul. 29, 2014**

- (54) **REFRIGERATION UNIT**
- (71) Applicant: **Minibar North America Inc.,**  
Rockville, MD (US)
- (72) Inventors: **Mark T. Cosgrove,** Edgewater, MD  
(US); **Paul Knox,** Llandeilo (GB)
- (73) Assignee: **Minibar North America, Inc.,**  
Rockville, MD (US)
- (\*\*) Term: **14 Years**
- (21) Appl. No.: **29/459,811**
- (22) Filed: **Jul. 3, 2013**
- (51) **LOC (10) Cl.** ..... **15-07**
- (52) **U.S. Cl.**  
USPC ..... **D15/81**
- (58) **Field of Classification Search**  
USPC ..... D15/79-89, 91; 312/236, 352,  
312/400-408, 112-119; 62/246-255,  
62/440-449, 129  
See application file for complete search history.

- D512,081 S \* 11/2005 Chang ..... D15/81
- D519,133 S \* 4/2006 Chang ..... D15/81
- D524,830 S \* 7/2006 Lei et al. .... D15/81
- D550,256 S \* 9/2007 Lei et al. .... D15/81
- D568,909 S \* 5/2008 Santiago ..... D15/81
- D627,374 S \* 11/2010 Yang ..... D15/81
- D630,230 S \* 1/2011 Yang ..... D15/81
- 2005/0104484 A1\* 5/2005 Landsberger et al. .... 312/194
- 2010/0300130 A1\* 12/2010 Shoenfeld et al. .... 62/129

\* cited by examiner

*Primary Examiner* — Mitchell Siegel

(74) *Attorney, Agent, or Firm* — Whiteford, Taylor & Preston, LLP; Gregory M. Stone

(57) **CLAIM**

The ornamental design for a refrigeration unit, as shown and described.

**DESCRIPTION**

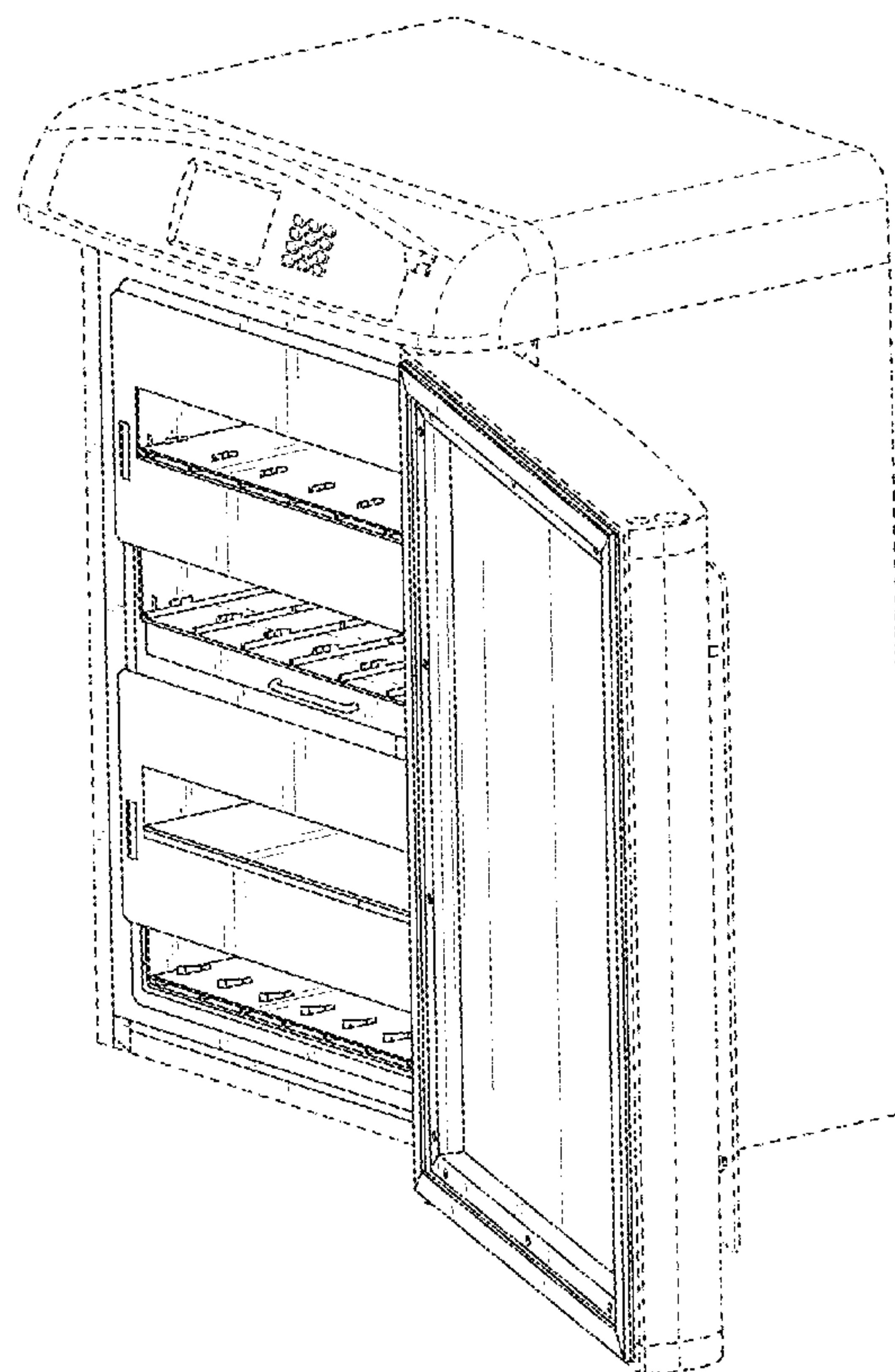
FIG. 1 is a front, right perspective view of a refrigeration unit showing our new design;  
 FIG. 2 is a front, left perspective view thereof;  
 FIG. 3 is a bottom, right perspective view thereof;  
 FIG. 4 is a bottom, left perspective view thereof; and,  
 FIG. 5 is a front view thereof.  
 The broken lines in the Figures are included for the purpose of illustrating environment and form no part of the claimed design.

(56) **References Cited**

**U.S. PATENT DOCUMENTS**

- 5,924,921 A \* 7/1999 Yang ..... 454/253
- D467,596 S \* 12/2002 Kim et al. .... D15/81

**1 Claim, 5 Drawing Sheets**



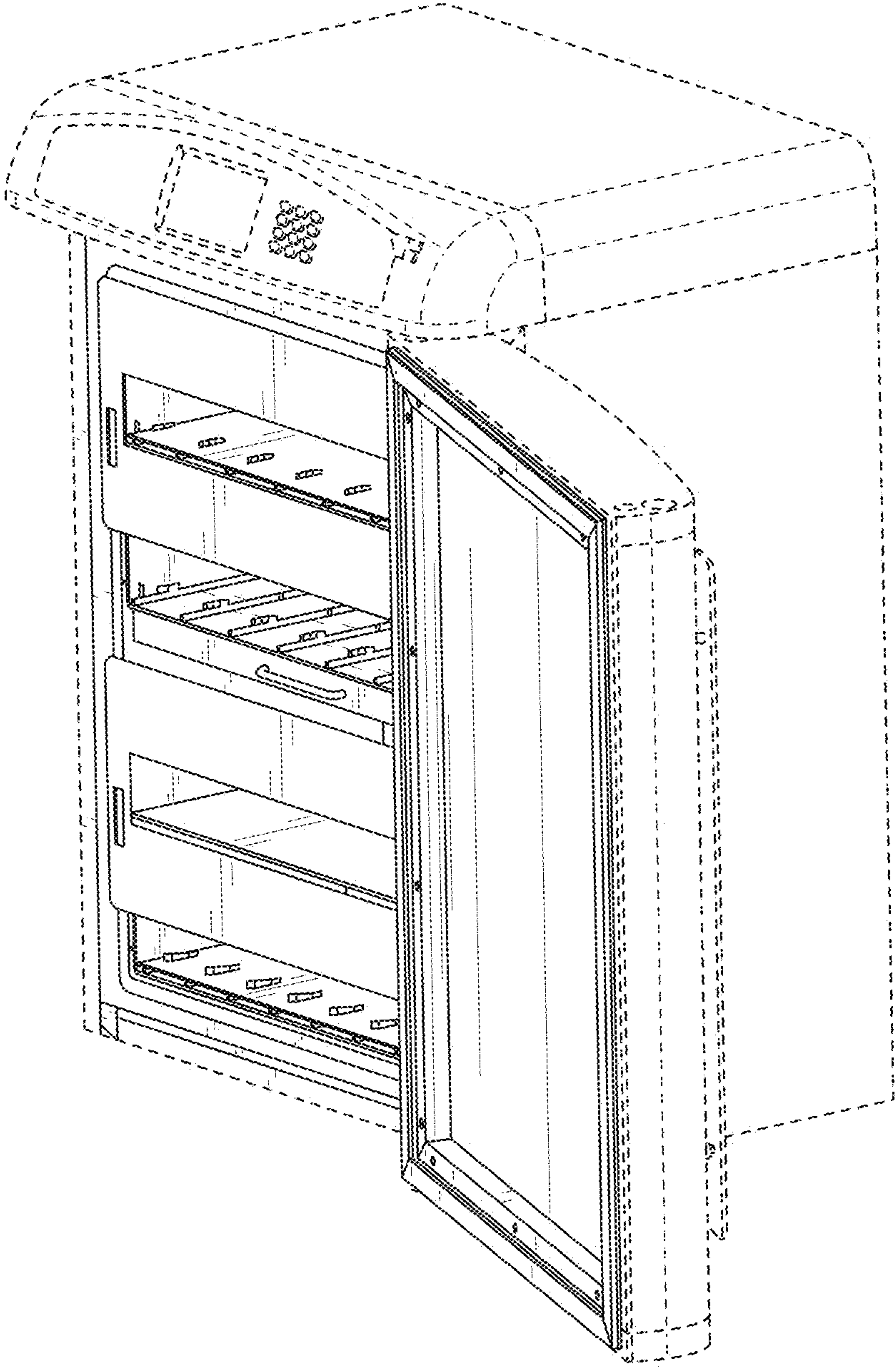


FIG. 1

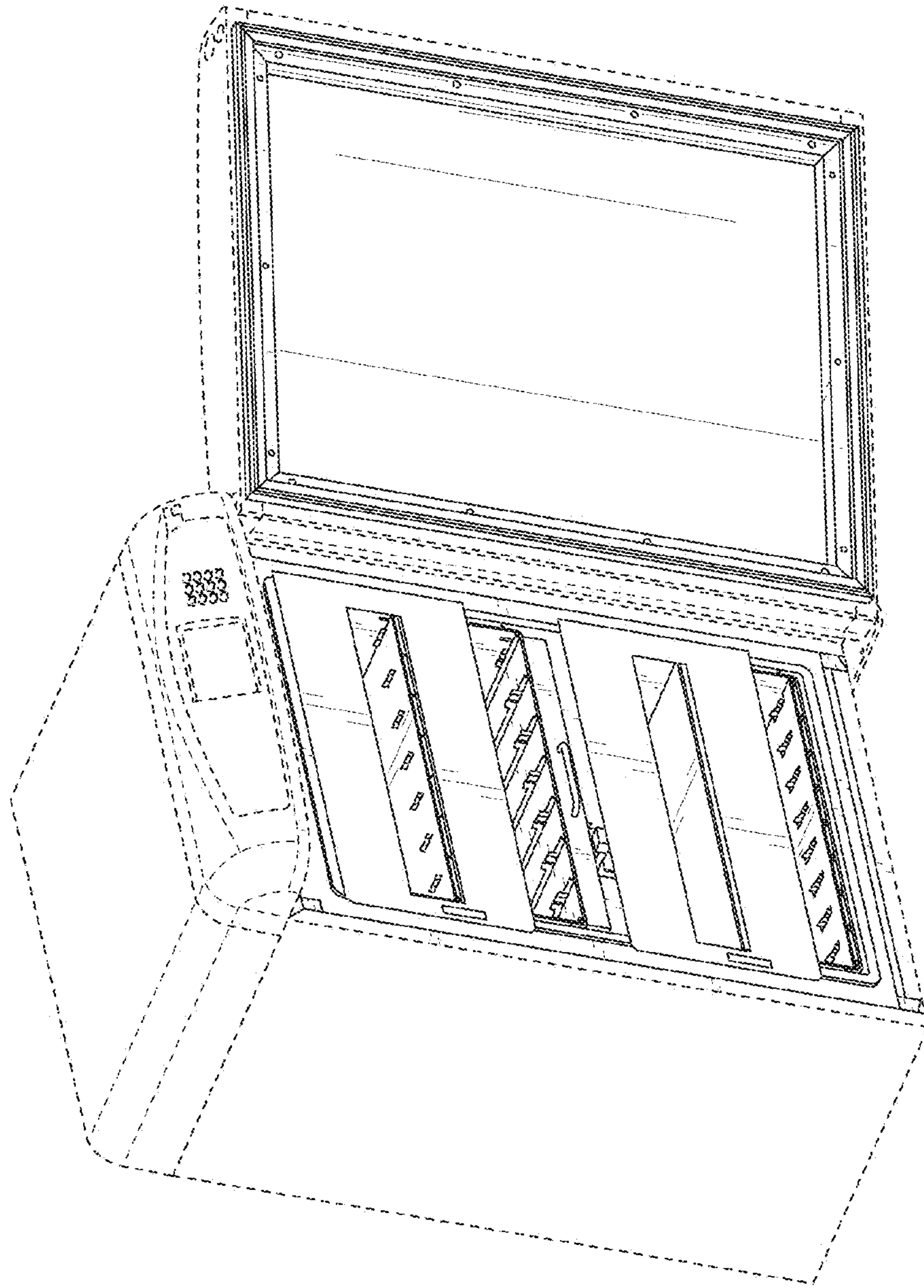


FIG. 2



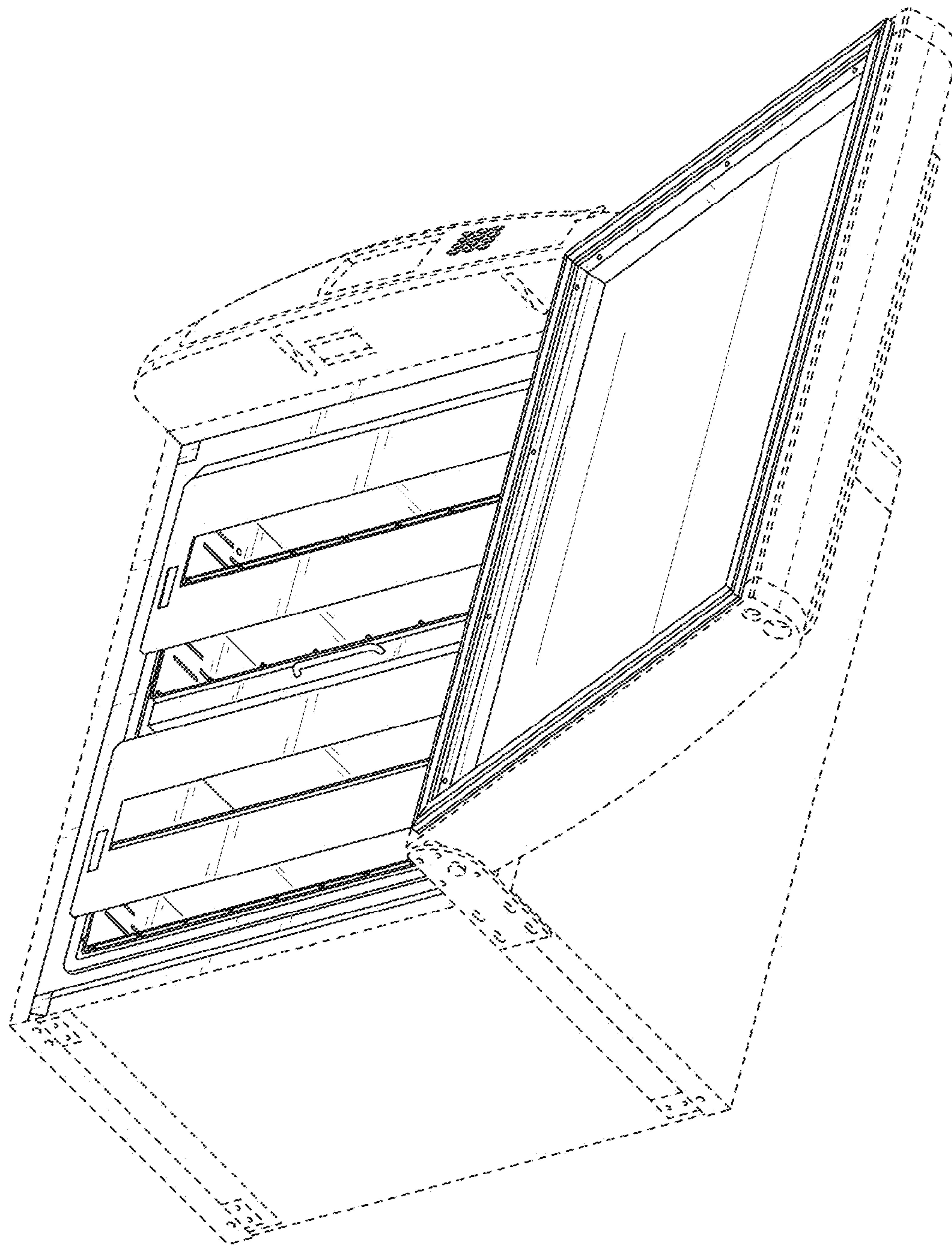


FIG. 3

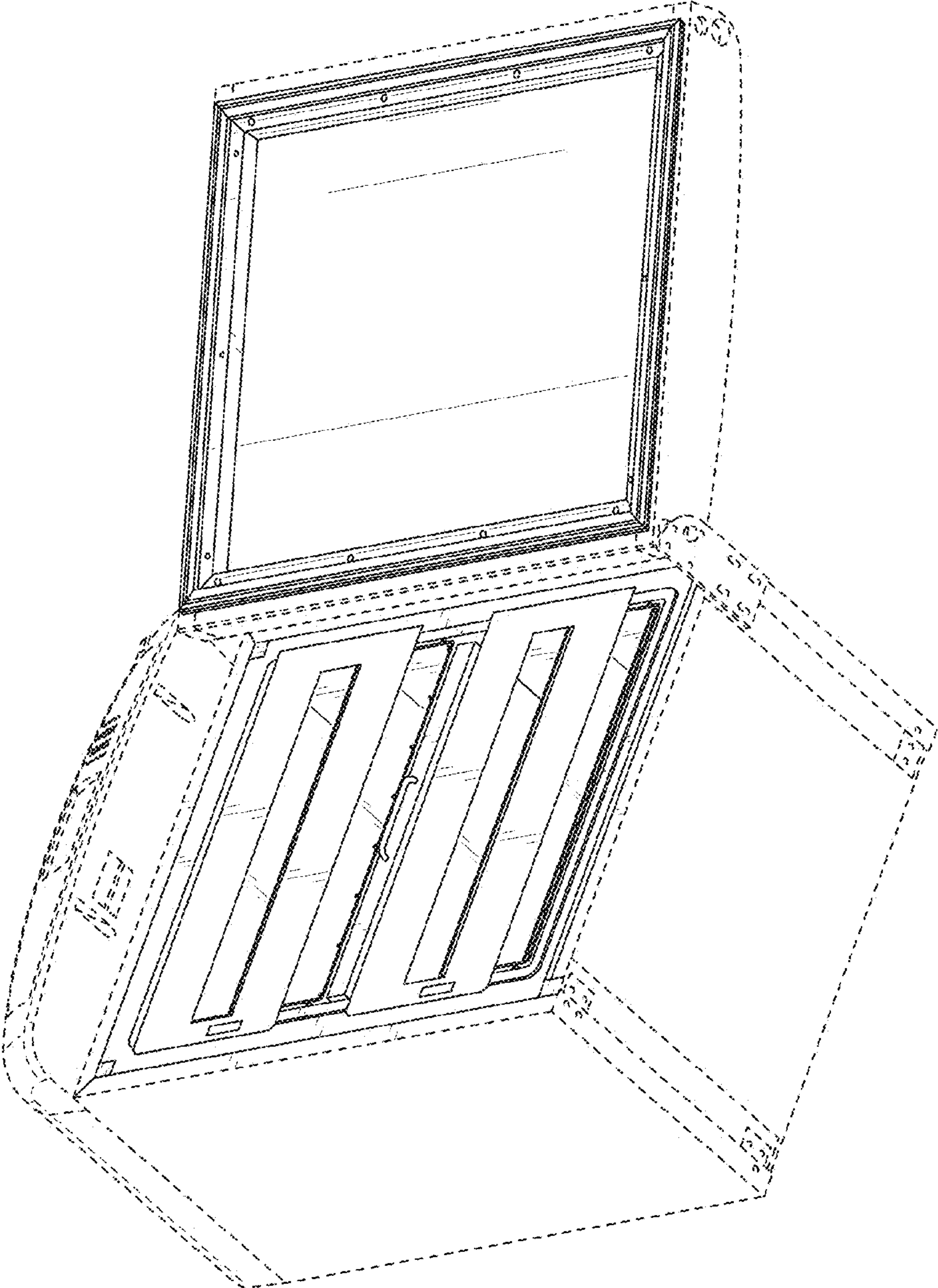


FIG. 4

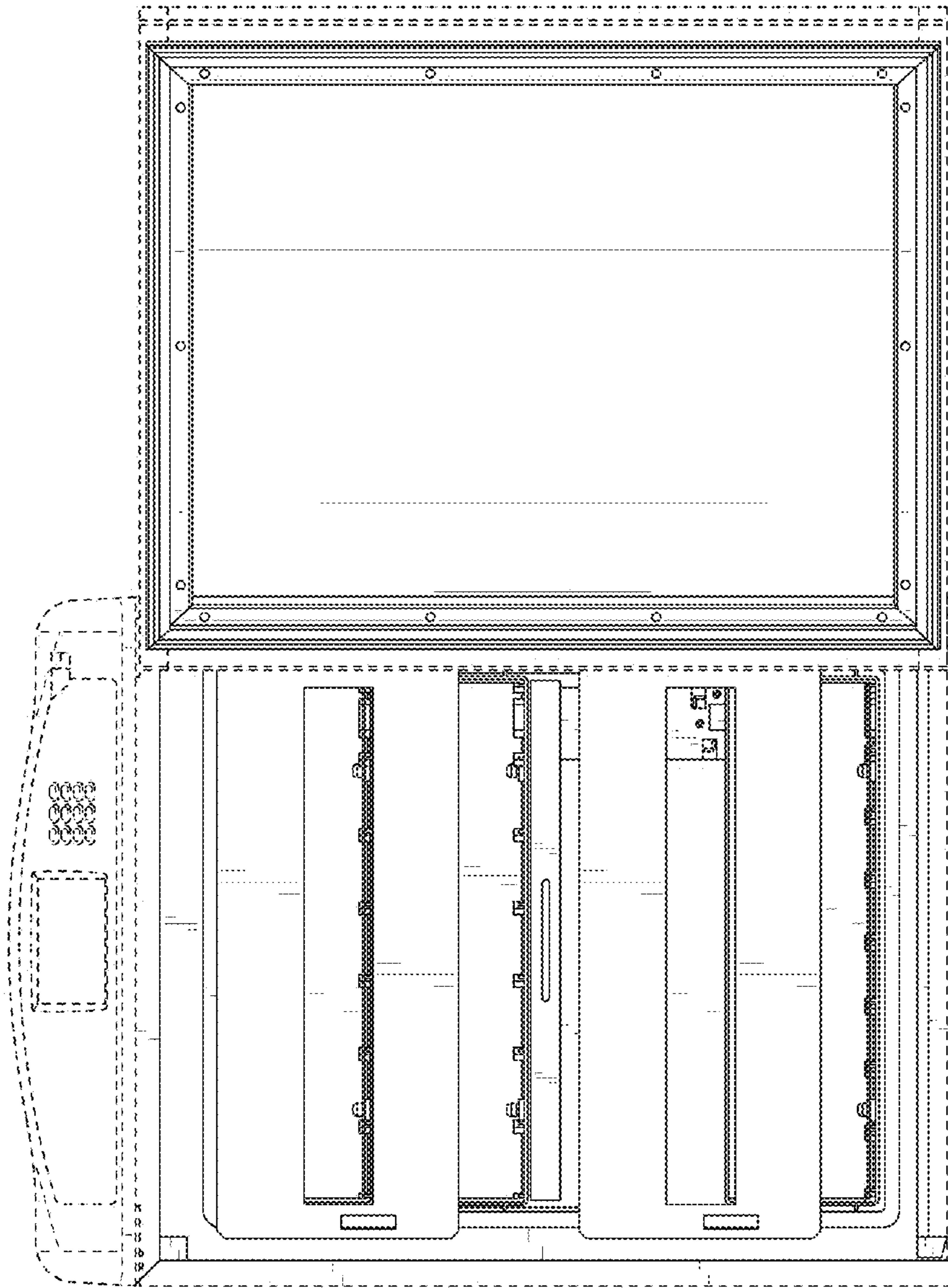


FIG. 5