

US00D709923S

(12) **United States Design Patent**  
**Muto**

(10) **Patent No.:** **US D709,923 S**

(45) **Date of Patent:** **\*\* \*Jul. 29, 2014**

(54) **SEWING MACHINE**

(56) **References Cited**

(71) Applicant: **Janome Sewing Machine Company Limited, Tokyo (JP)**

U.S. PATENT DOCUMENTS

(72) Inventor: **Hideki Muto, Tokyo (JP)**

D450,720 S	*	11/2001	Kuroki	.....	D15/69
D520,027 S	*	5/2006	Kuroki	.....	D15/69
D594,481 S	*	6/2009	Inada	.....	D15/69
D628,605 S	*	12/2010	Mutoh	.....	D15/69
D648,758 S	*	11/2011	Muto	.....	D15/69
D671,567 S	*	11/2012	Muto	.....	D15/69

(73) Assignee: **Janome Sewig Machine Company Limited, Tokyo (JP)**

\* cited by examiner

(\*) Notice: This patent is subject to a terminal disclaimer.

*Primary Examiner* — Mitchell Siegel

(\*\*) Term: **14 Years**

(74) *Attorney, Agent, or Firm* — Westerman, Hattori, Daniels & Adrian, LLP

(21) Appl. No.: **29/446,054**

(57) **CLAIM**

The ornamental design for a sewing machine, as shown and described.

(22) Filed: **Feb. 20, 2013**

**DESCRIPTION**

(30) **Foreign Application Priority Data**

Aug. 20, 2012 (JP) ..... 2012-019827

(51) **LOC (10) Cl.** ..... **15-06**

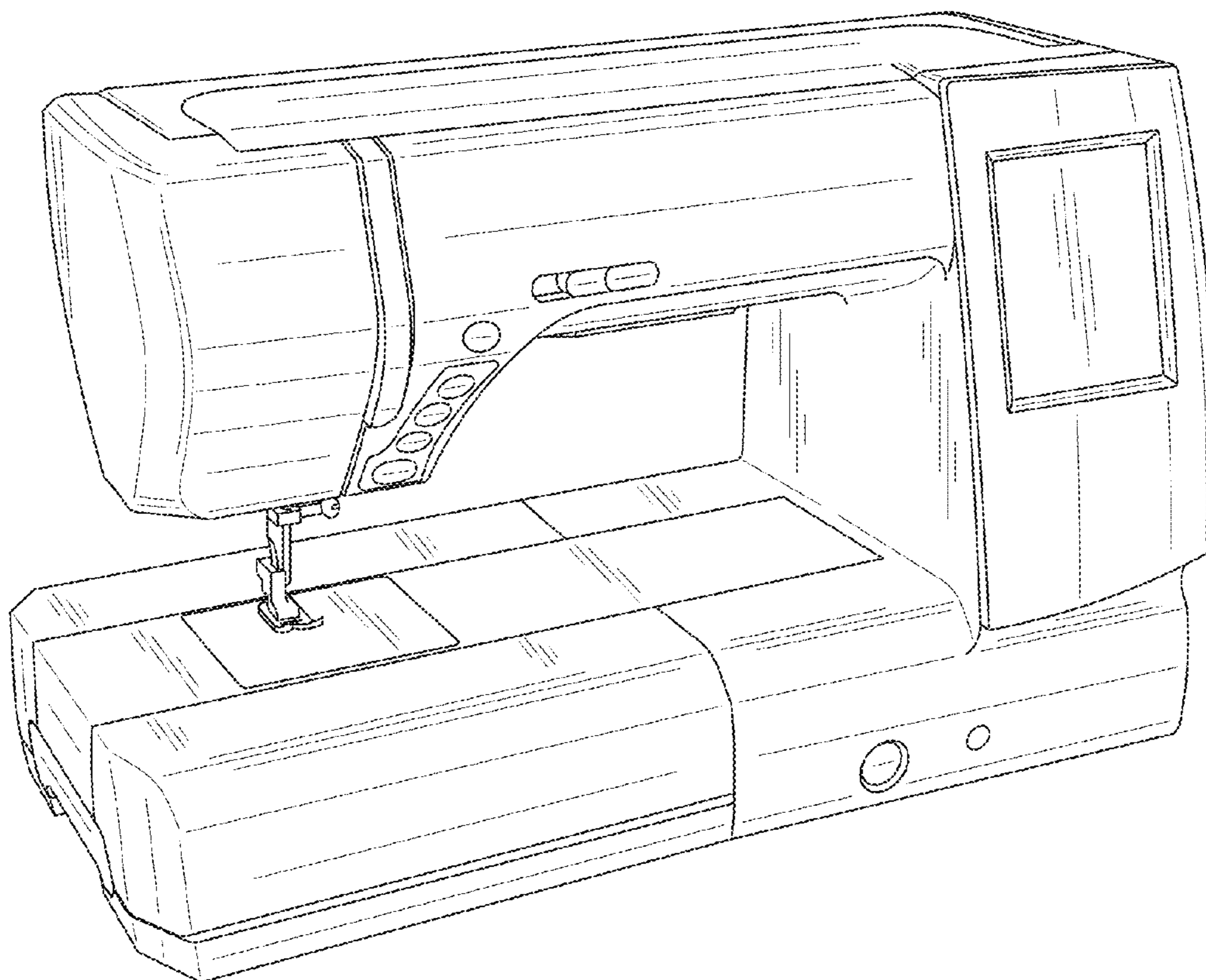
(52) **U.S. Cl.**  
USPC ..... **D15/69**

(58) **Field of Classification Search**  
USPC ..... D15/66-78; 112/217.1-217.4,  
112/255-261, 475.01

FIG. 1 is a perspective view showing my new design for a sewing machine,  
FIG. 2 is another perspective view thereof,  
FIG. 3 is a front view thereof,  
FIG. 4 is a rear view thereof,  
FIG. 5 is a left side view thereof,  
FIG. 6 is a right side view thereof,  
FIG. 7 is a top view thereof; and,  
FIG. 8 is a bottom view thereof.

See application file for complete search history.

**1 Claim, 5 Drawing Sheets**



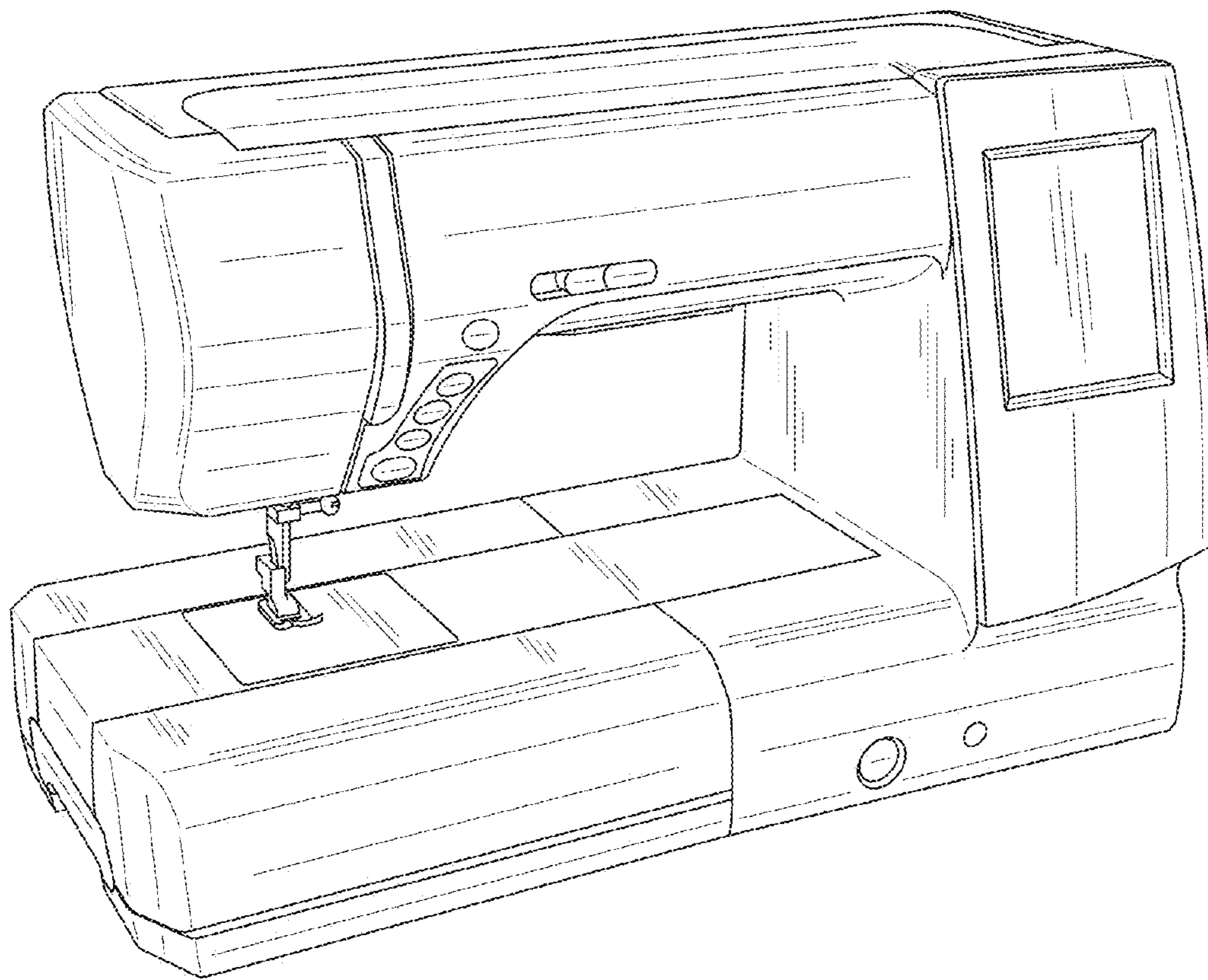


Fig. 1

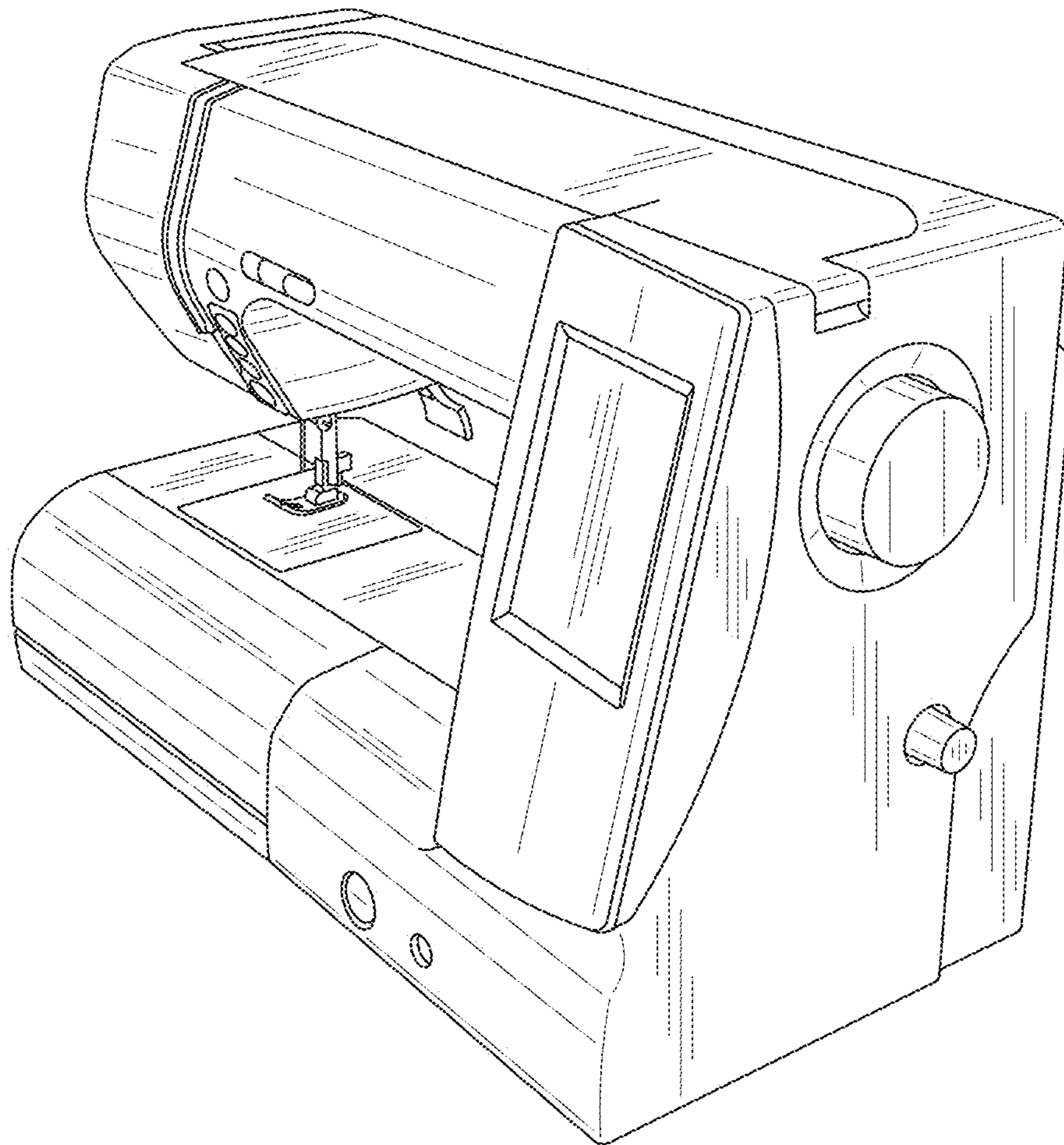


Fig.2

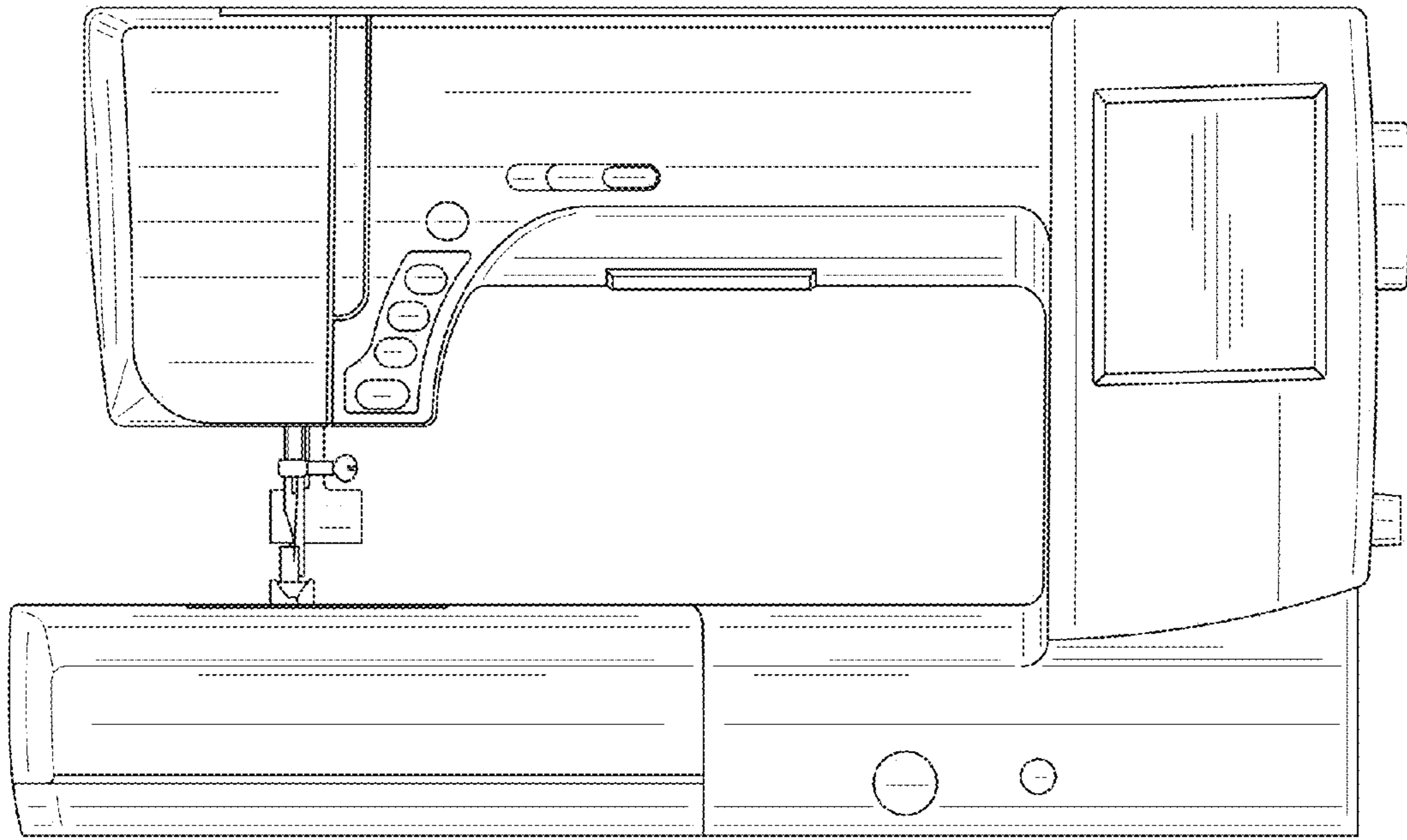


Fig.3

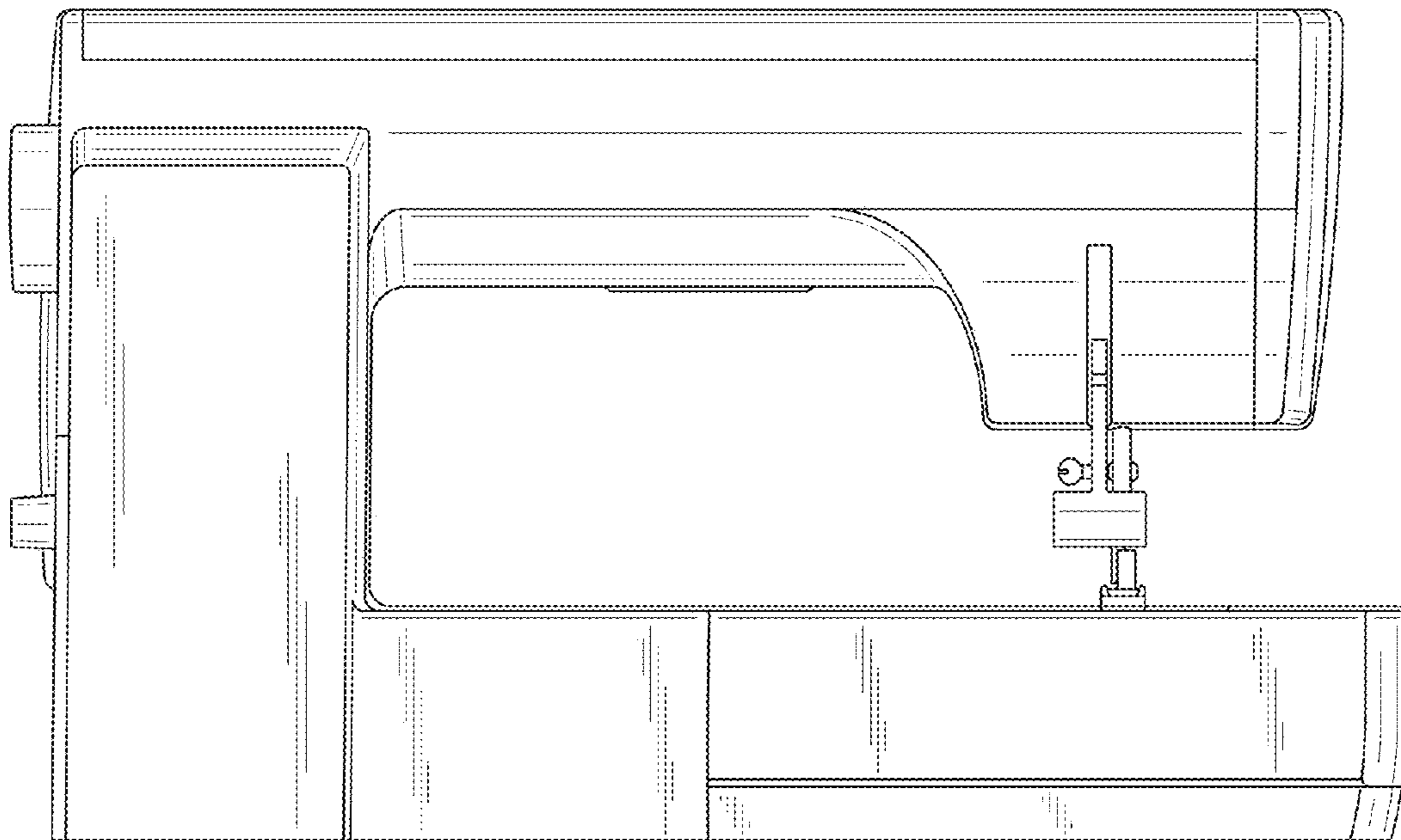


Fig.4

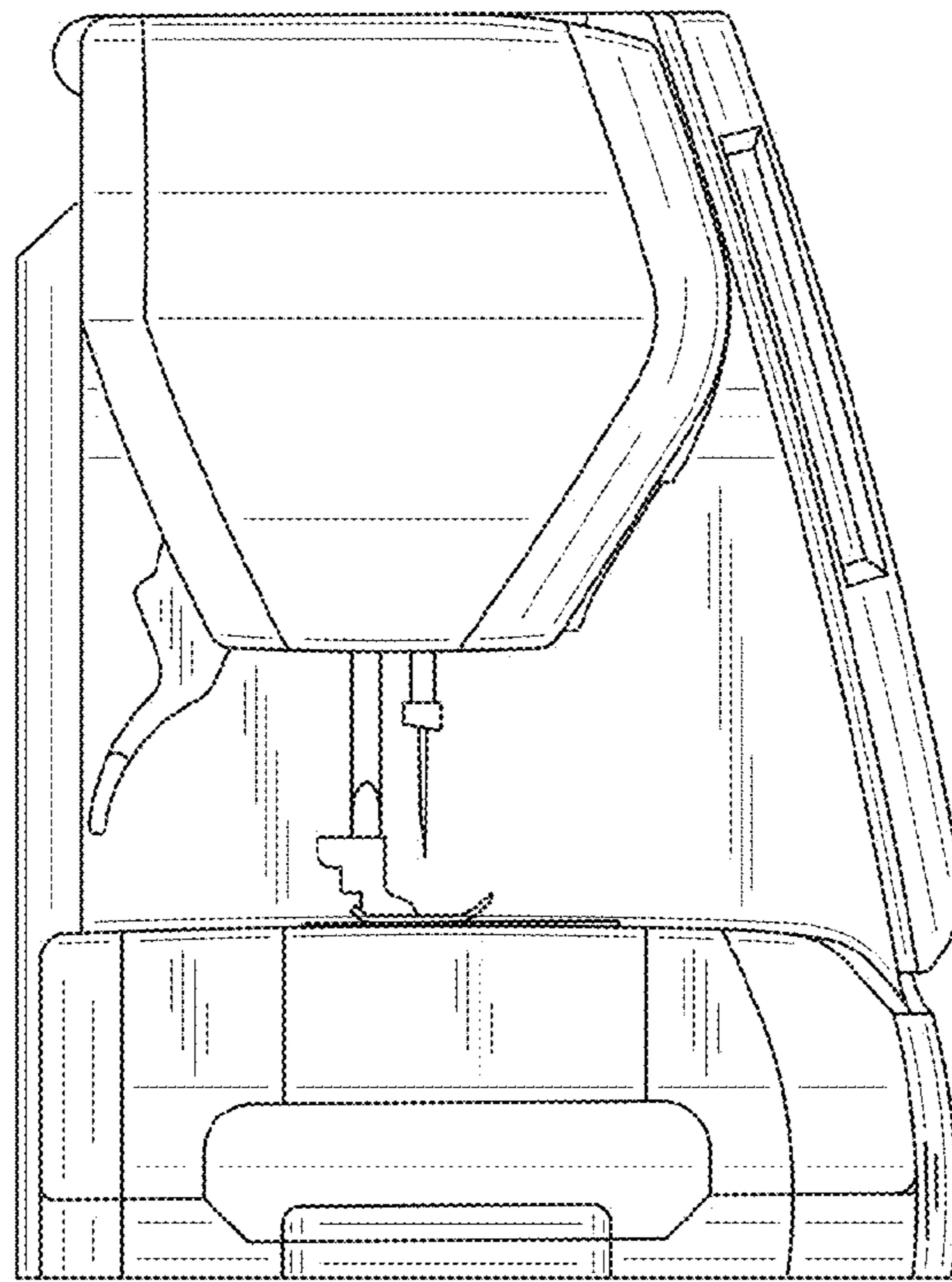


Fig.5

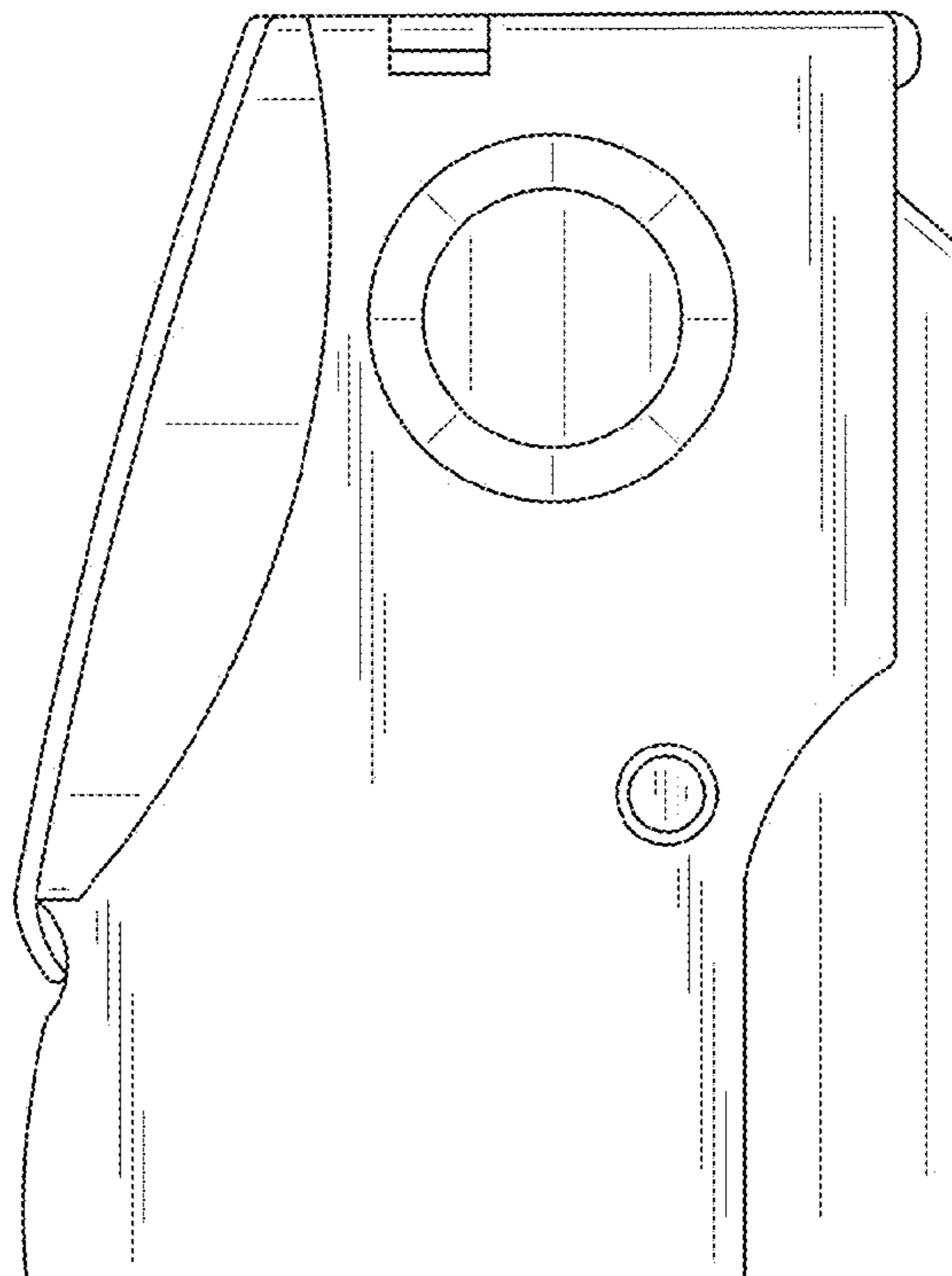


Fig.6

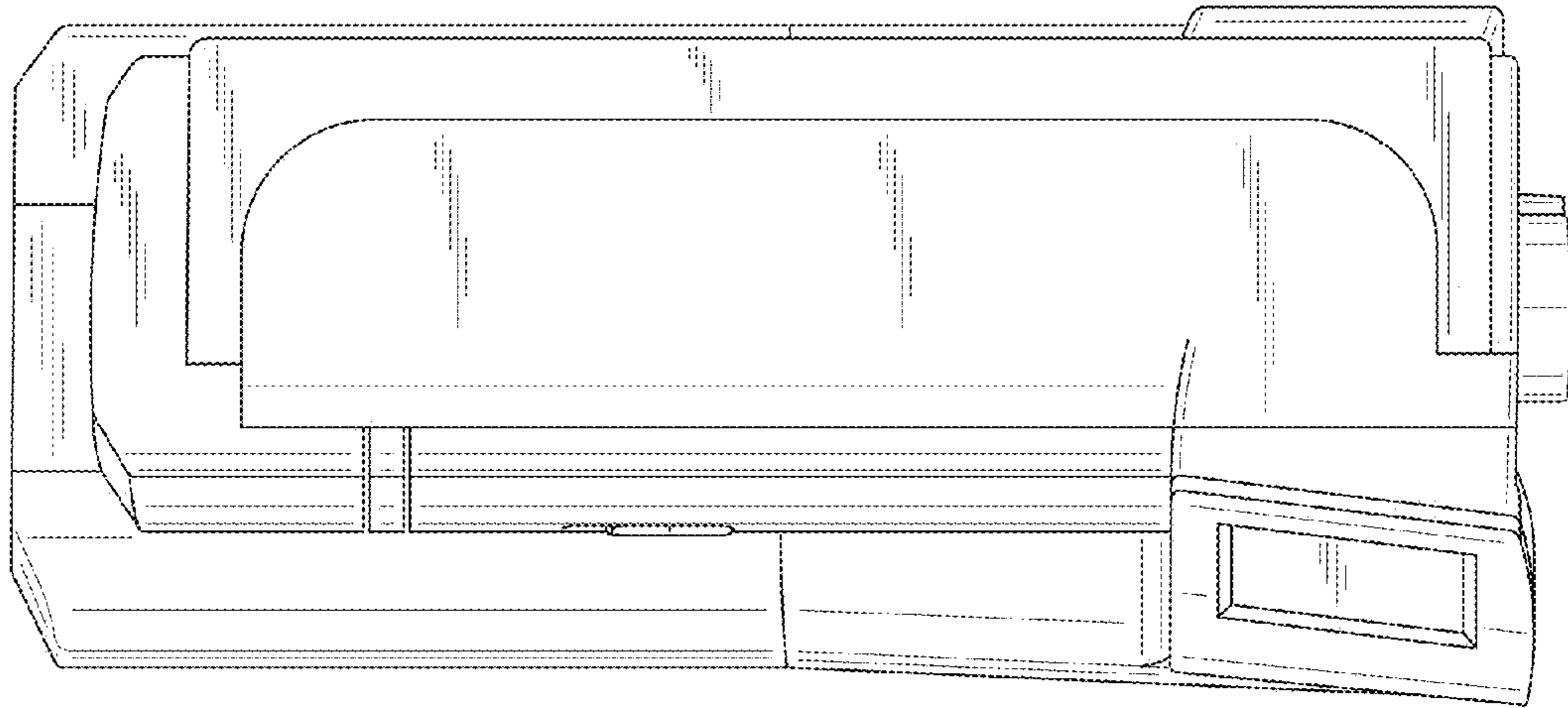


Fig.7

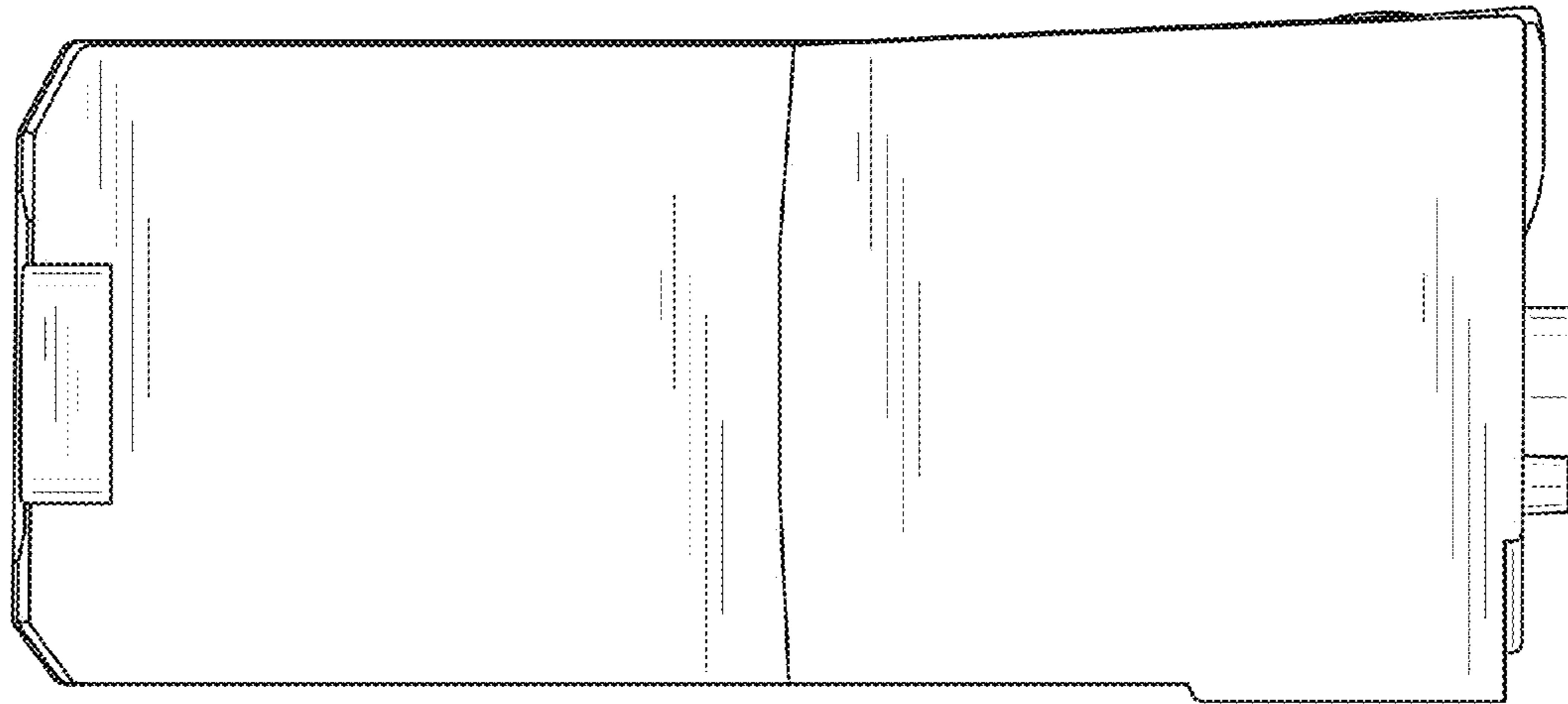


Fig.8