



US00D709922S

(12) **United States Design Patent**
Zulu, Sr. et al.

(10) **Patent No.:** **US D709,922 S**
(45) **Date of Patent:** **** Jul. 29, 2014**

(54) **CONCRETE TROUGH ATTACHMENT WITH A PLURALITY OF LEGS**

(71) Applicants: **Shaka Zulu, Sr.**, Union City, GA (US);
Amanda Hamm, Union City, GA (US)

(72) Inventors: **Shaka Zulu, Sr.**, Union City, GA (US);
Amanda Hamm, Union City, GA (US)

(**) Term: **14 Years**

(21) Appl. No.: **29/463,276**

(22) Filed: **Sep. 27, 2013**

(51) **LOC (10) Cl.** **15-03**

(52) **U.S. Cl.**
USPC **D15/28**

(58) **Field of Classification Search**
CPC B28C 5/4248
USPC D15/10, 28, 13, 19, 21, 27; D34/28;
366/68; 193/10, 25 A, 25 E, 25 R, 6, 16,
193/23

See application file for complete search history.

(56) **References Cited**

U.S. PATENT DOCUMENTS

892,519	A *	7/1908	Hinchman	193/10
1,197,839	A *	9/1916	McAnlis	193/14
1,308,148	A *	7/1919	Draeger	193/10
3,746,140	A *	7/1973	Schiffelbein		
4,007,821	A *	2/1977	Schiffelbein	193/4
4,054,194	A *	10/1977	Davis		
4,190,144	A *	2/1980	Lybbert	193/10
4,634,285	A *	1/1987	Newberry	366/68
D314,270	S *	1/1991	Bryant	D34/28

D329,315	S *	9/1992	Loefke et al.	D34/28
D343,488	S *	1/1994	Fletcher	D34/28
D364,028	S *	11/1995	Rouleau	D34/35
D381,173	S *	7/1997	Franklin	D34/28
6,106,141	A *	8/2000	Bruun	366/68
6,401,901	B1 *	6/2002	Bracken et al.	193/38
D475,373	S *	6/2003	Olsen et al.	D15/28
6,966,415	B1 *	11/2005	Conrad	193/10
7,178,657	B1	2/2007	Haffen et al.		
7,506,672	B2	3/2009	Manno		
7,513,352	B2 *	4/2009	Sawall et al.	193/25 R
7,578,379	B2 *	8/2009	Gillmore et al.	193/5
7,597,185	B1 *	10/2009	Fortenbery et al.	198/493
7,648,015	B2 *	1/2010	Gillmore et al.	193/5
7,784,596	B2 *	8/2010	Sawall et al.	193/25 R
8,403,125	B2 *	3/2013	Sawall et al.	193/25 R

* cited by examiner

Primary Examiner — Mark Goodwin

(74) *Attorney, Agent, or Firm* — Suzanne Kikel

(57) **CLAIM**

The ornamental design for a concrete trough attachment with a plurality of legs, as shown and described.

DESCRIPTION

FIG. 1 is an isometric view of a concrete trough attachment with a plurality of legs, showing my new design.

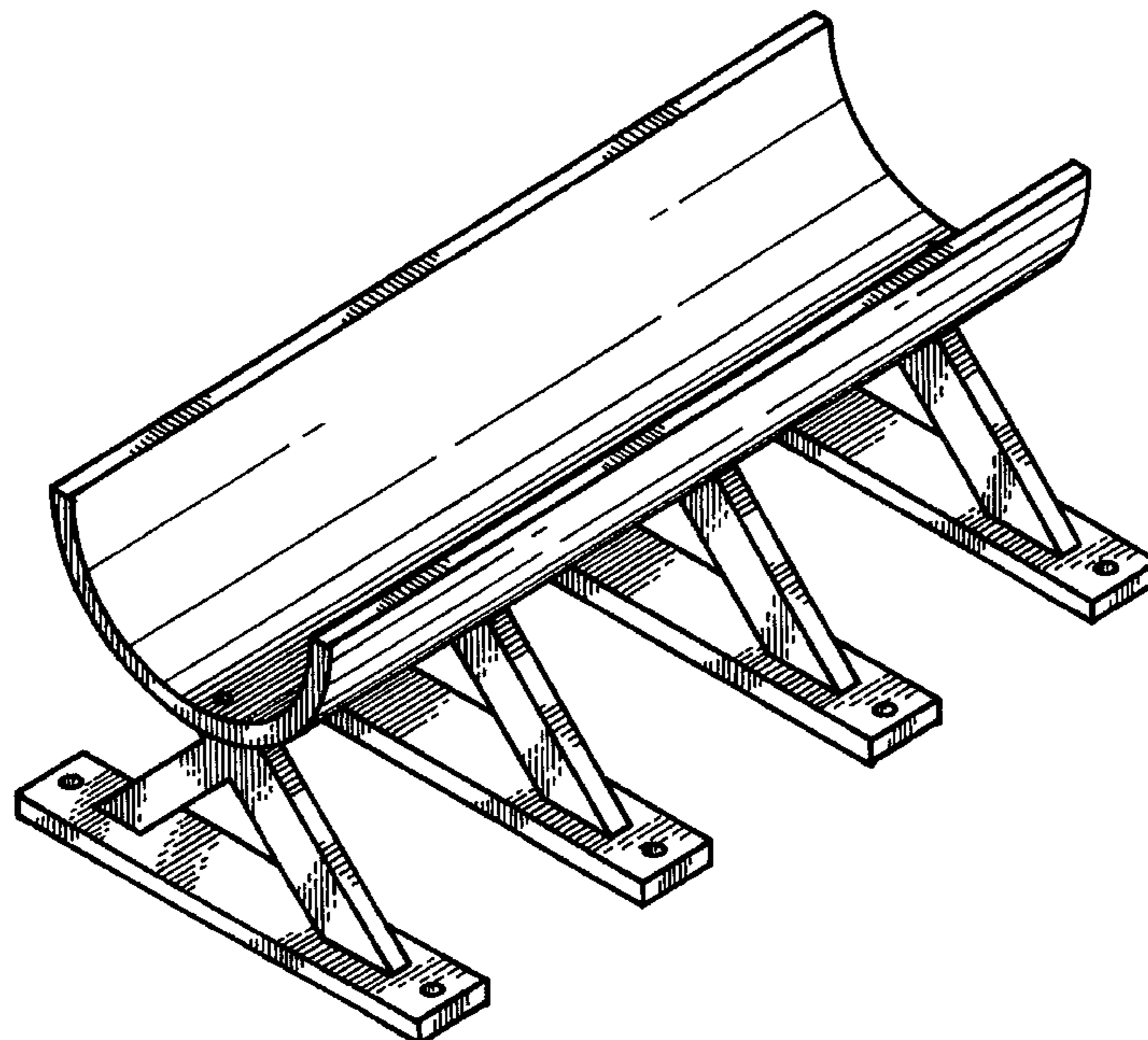
FIG. 2 is a typical side view of the design of FIG. 1, where the opposed side view is a mirror image thereof.

FIG. 3 is a typical end view thereof, where the opposed end view is a mirror image thereof.

FIG. 4 is a top plan view thereof; and,

FIG. 5 is a bottom plan view thereof.

1 Claim, 3 Drawing Sheets



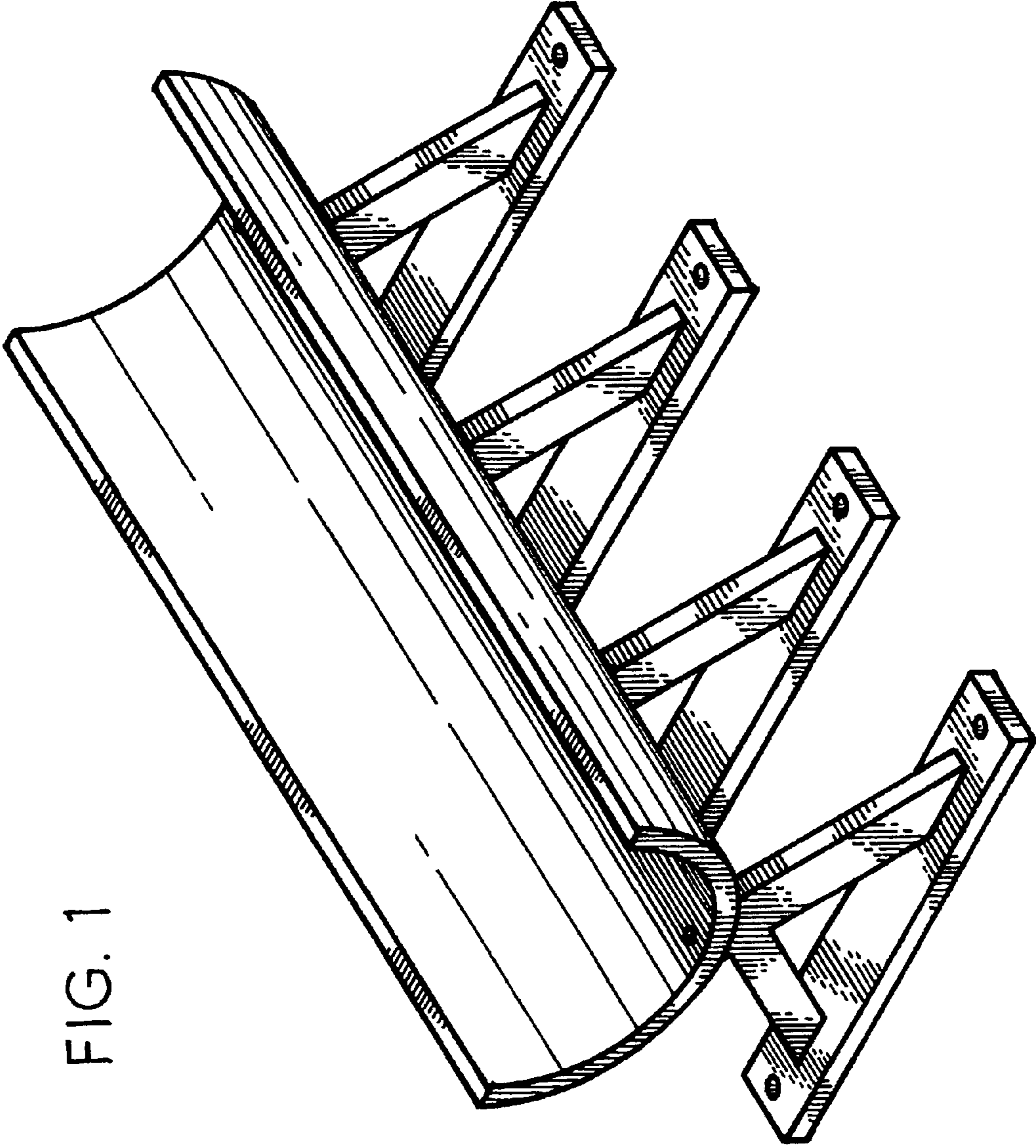


FIG. 1

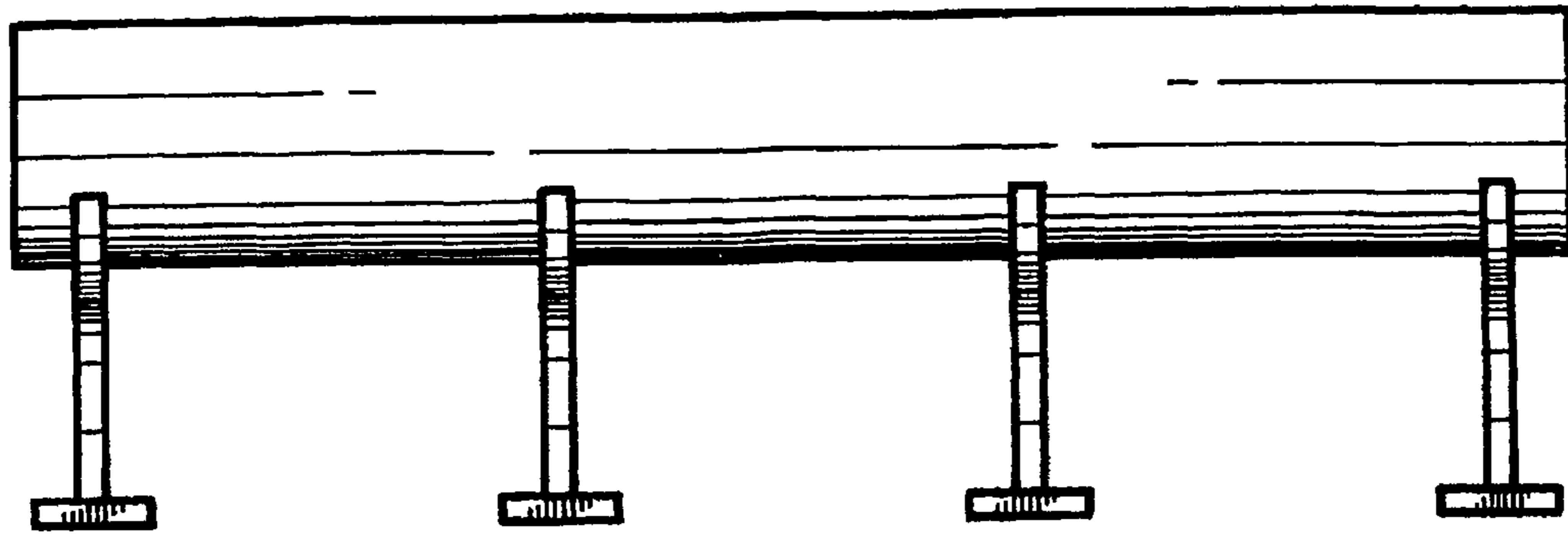


FIG. 2

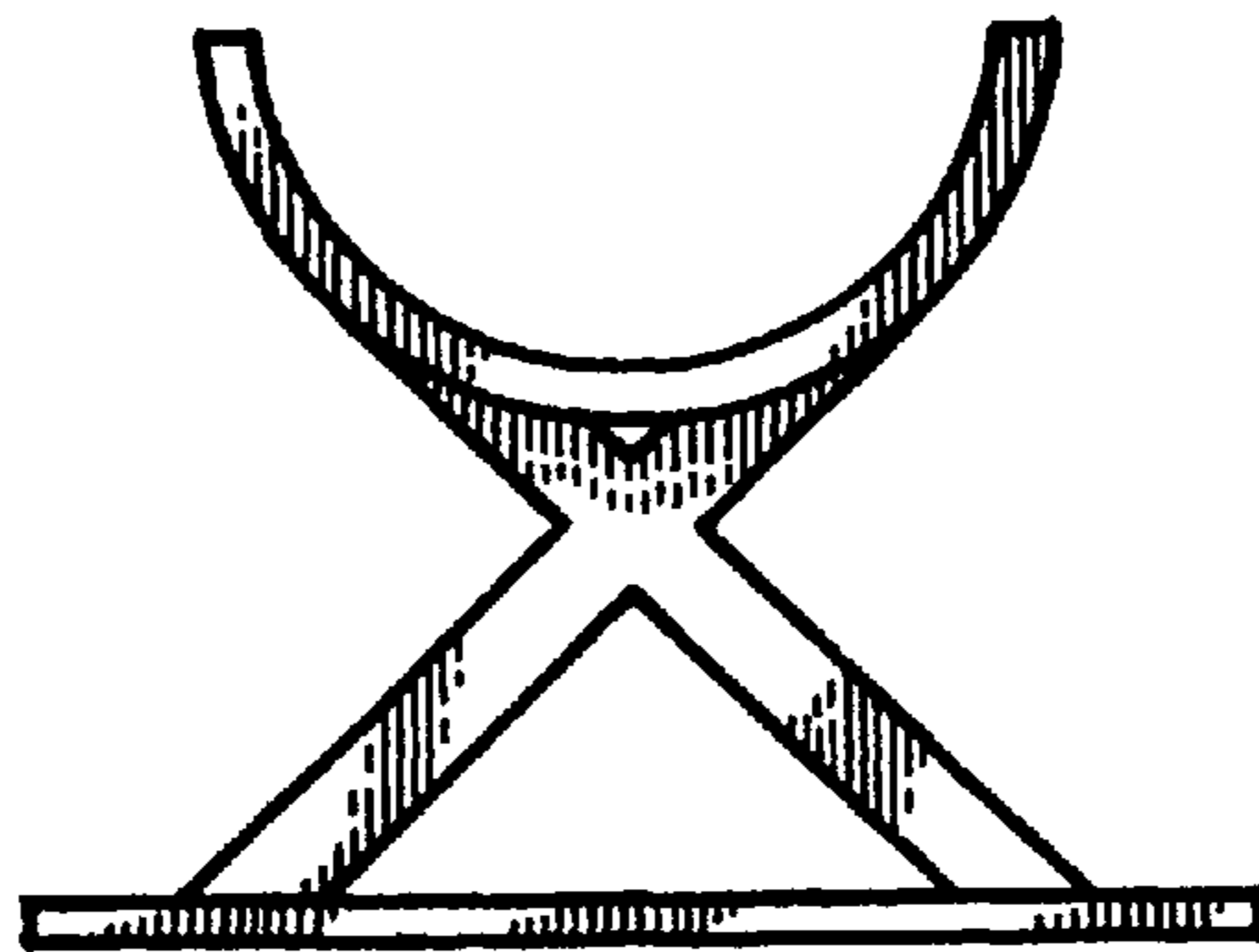


FIG. 3

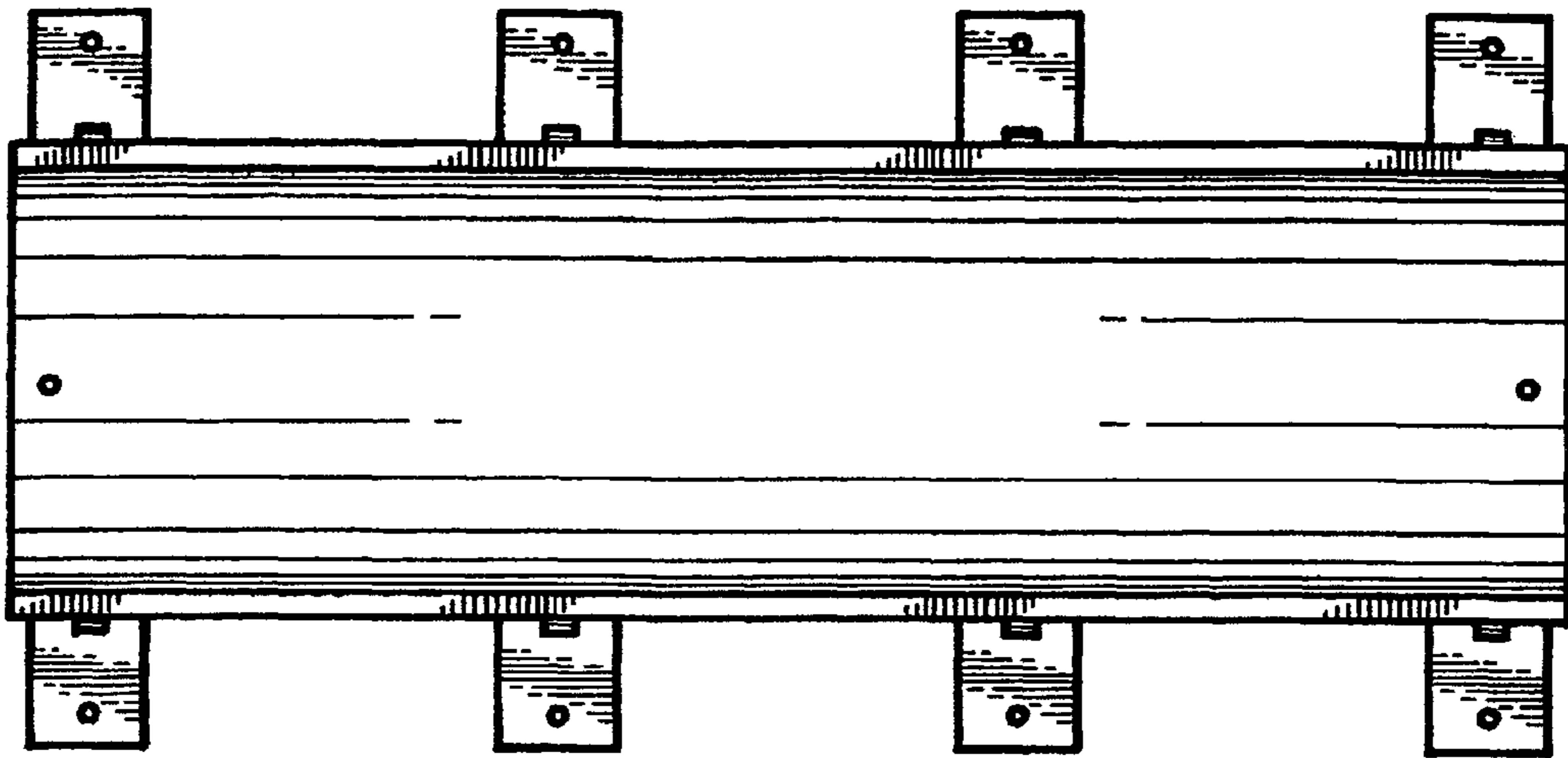


FIG. 4

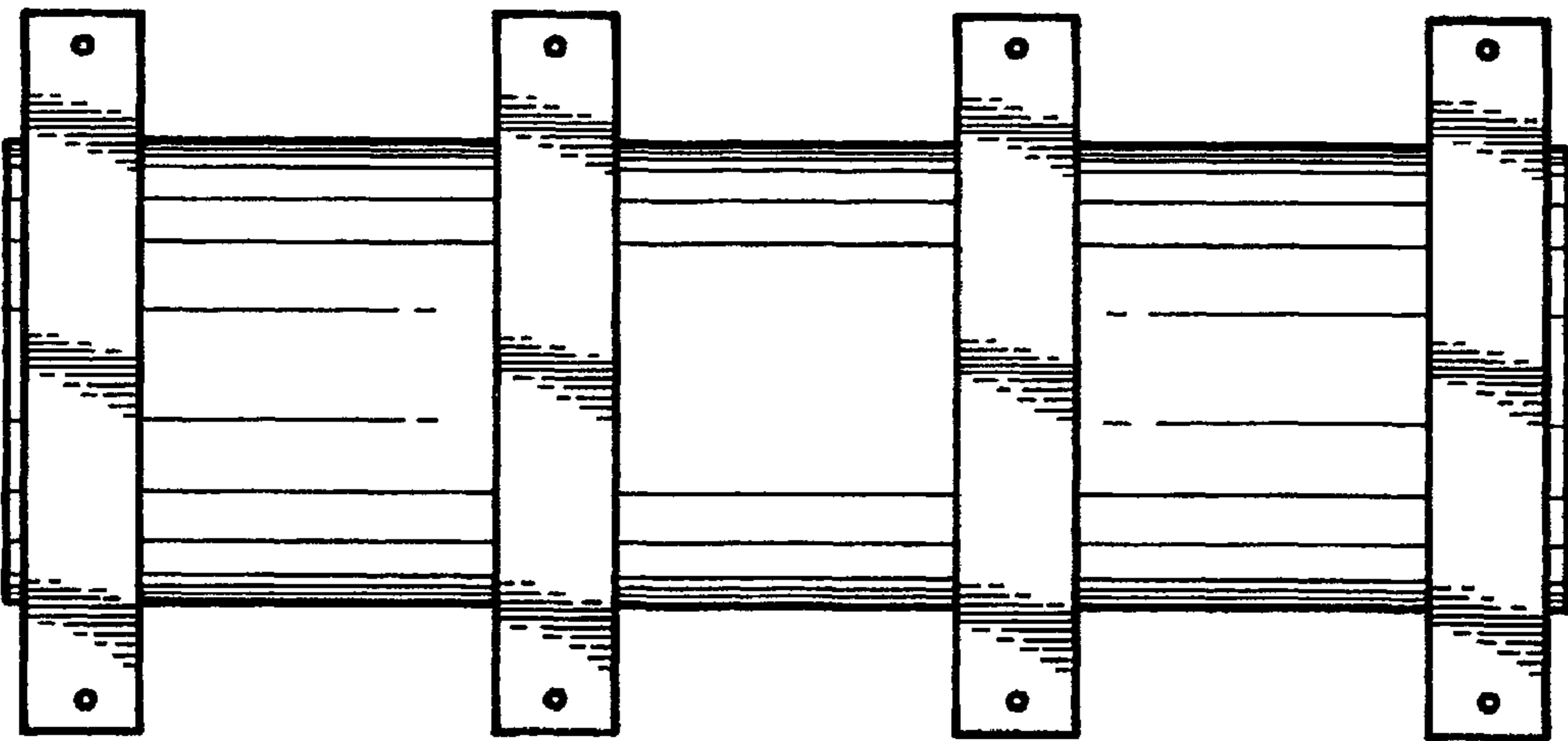


FIG. 5