



US00D709896S

(12) **United States Design Patent**
McKinstry et al.

(10) **Patent No.:** **US D709,896 S**
(45) **Date of Patent:** **** Jul. 29, 2014**

(54) **MOBILE DEVICE STAND**

(71) Applicants: **Michael McKinstry**, Keller, TX (US);
Justin Franks, Grapevine, TX (US)

(72) Inventors: **Michael McKinstry**, Keller, TX (US);
Justin Franks, Grapevine, TX (US)

(**) Term: **14 Years**

(21) Appl. No.: **29/476,998**

(22) Filed: **Dec. 18, 2013**

(51) **LOC (10) Cl.** **08-07**

(52) **U.S. Cl.**
USPC **D14/447**

(58) **Field of Classification Search**
USPC D14/447, 432, 434, 439, 440, 451, 452,
D14/457, 460, 461, 238.1, 250, 251, 253;
D3/218; D6/406.3, 406.4, 406.5,
D6/406.6; 248/444, 441.1, 188.6,
248/917-924; 361/679.02, 679.03, 679.04,
361/679.09, 679.21, 679.26, 679.27, 679.3,
361/679.55, 679.56

See application file for complete search history.

(56) **References Cited**

U.S. PATENT DOCUMENTS

D539,566 S * 4/2007 Anderson D6/474
D598,459 S * 8/2009 Gillespie D14/451

D614,613 S * 4/2010 Kim et al. D14/253
D654,054 S * 2/2012 Kohte et al. D14/217
D668,256 S * 10/2012 Matteo D14/447
D670,690 S * 11/2012 Daniel et al. D14/253
D671,110 S * 11/2012 Choi D14/253
D672,782 S * 12/2012 Gross D14/447
D690,306 S * 9/2013 Malisse et al. D14/447
D693,352 S * 11/2013 Gelsomini et al. D14/447
D696,675 S * 12/2013 Delrue et al. D14/447
2011/0057082 A1 * 3/2011 West 248/222.14
2011/0147547 A1 * 6/2011 Fitzpatrick et al. 248/157

* cited by examiner

Primary Examiner — Angela J Lee

(57) **CLAIM**

The ornamental design for a mobile device stand, as shown and described.

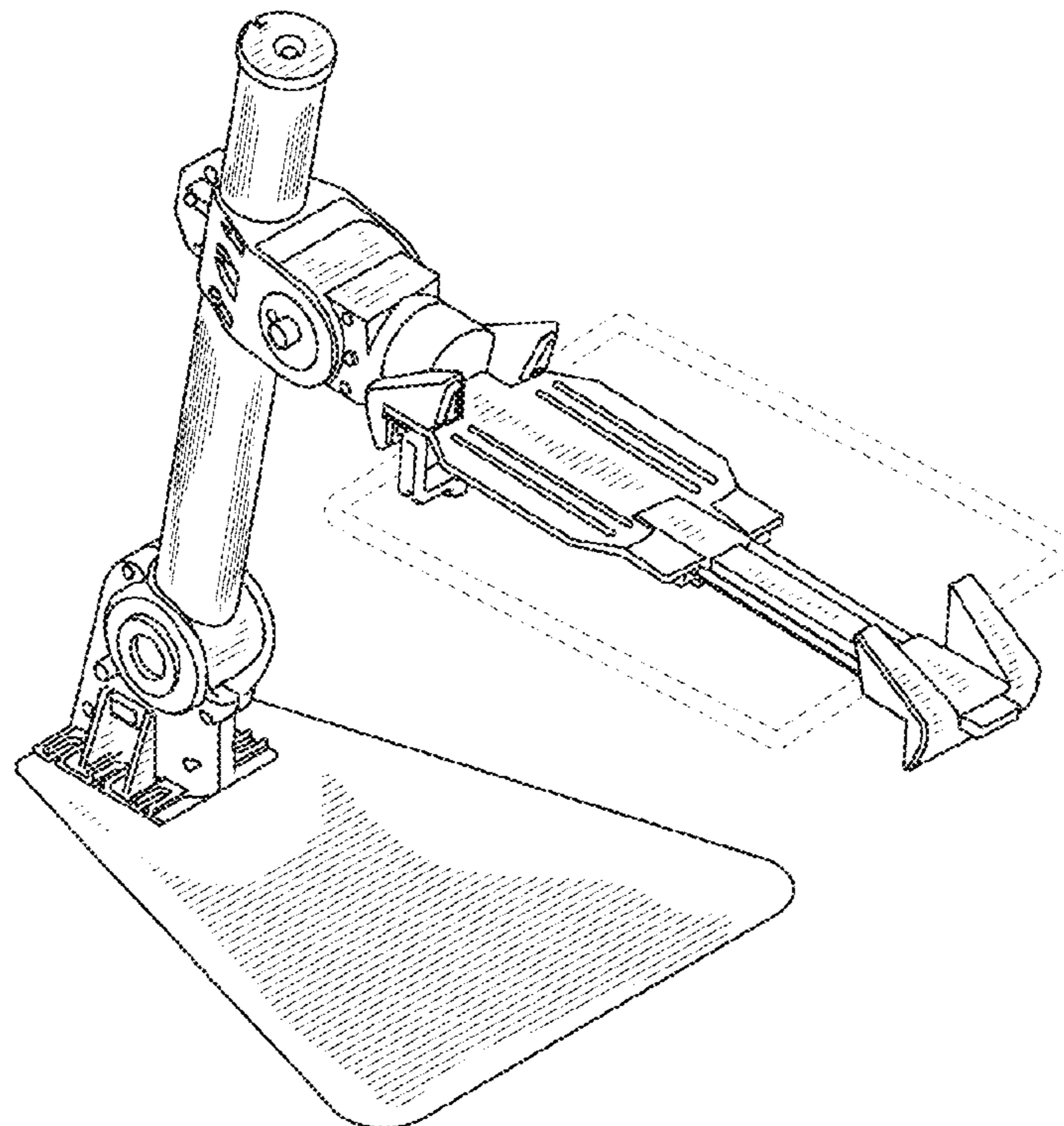
DESCRIPTION

FIG. 1 is a perspective front view of a mobile device stand; FIG. 2 is a front elevation view of the mobile device stand; FIG. 3 is a rear elevation view of the mobile device stand; FIG. 4 is a left elevation view of the mobile device stand; FIG. 5 is a right elevation view of the mobile device stand; FIG. 6 is a top elevation view of the mobile device stand; FIG. 7 is a bottom elevation view of the mobile device stand; and,

FIG. 8 is a perspective view of the mobile device stand folded down.

The tablet is shown in broken lines for illustrative purposes only and forms no part of the claimed design.

1 Claim, 3 Drawing Sheets



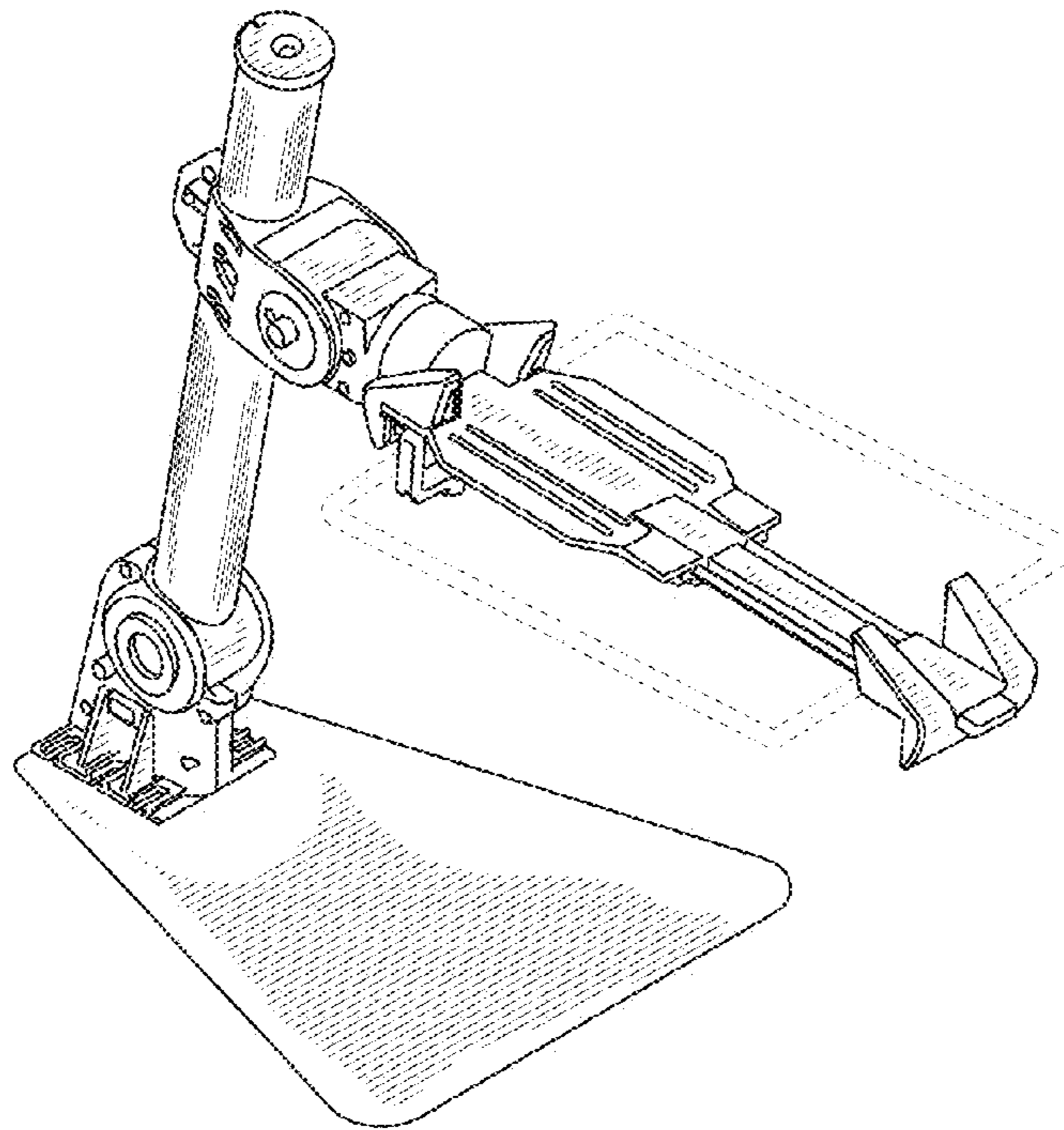


FIG. 1

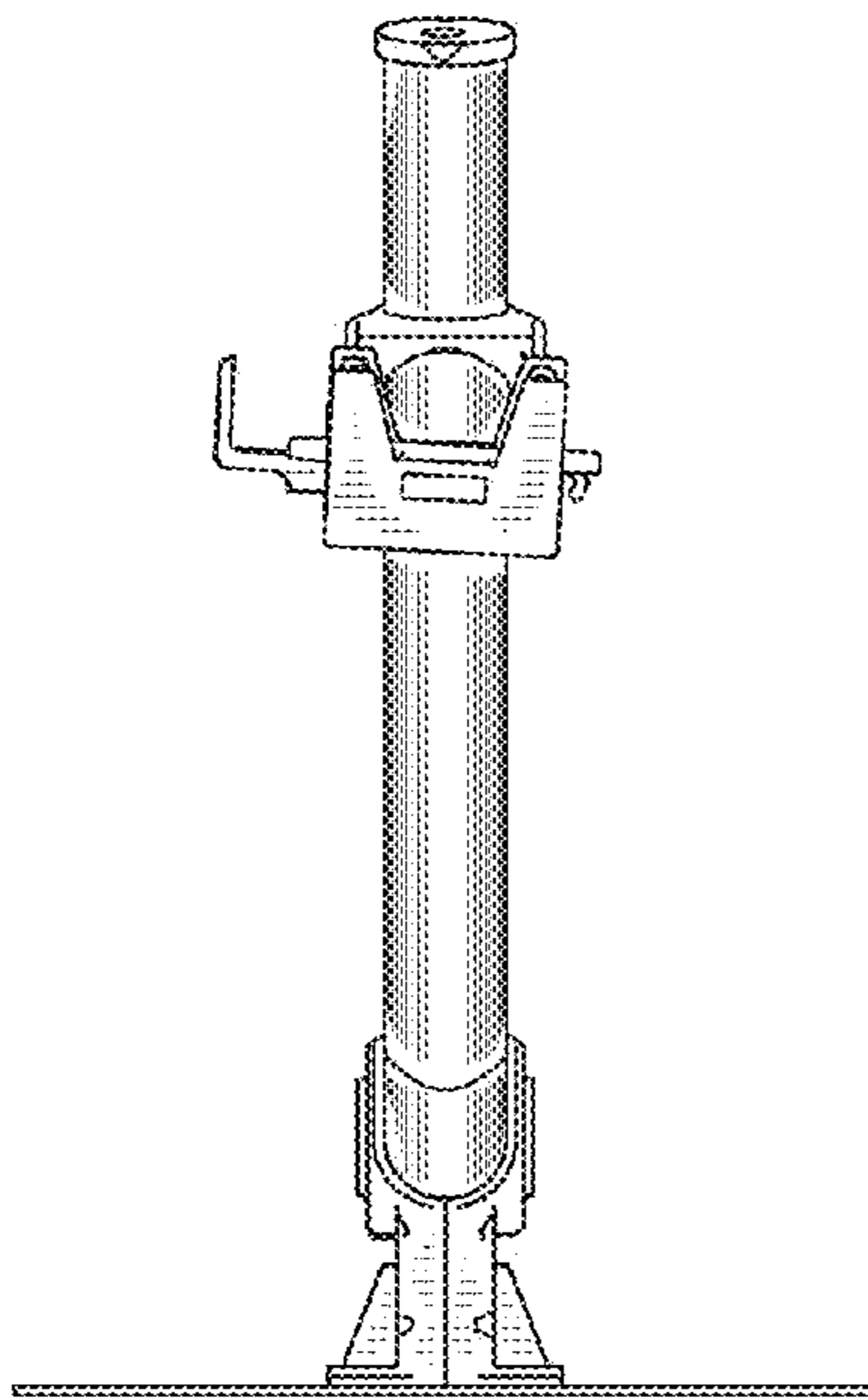


FIG. 2

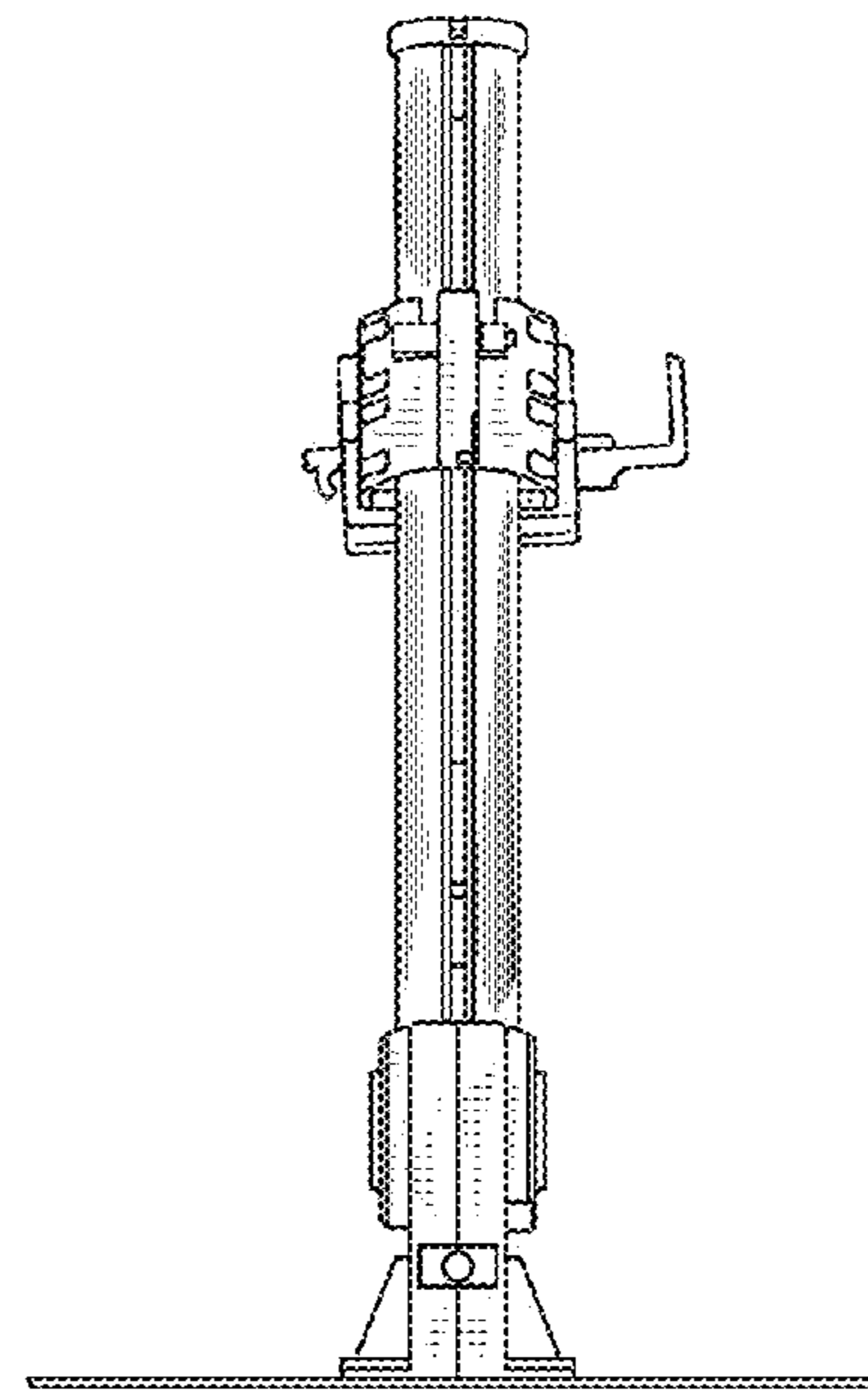


FIG. 3

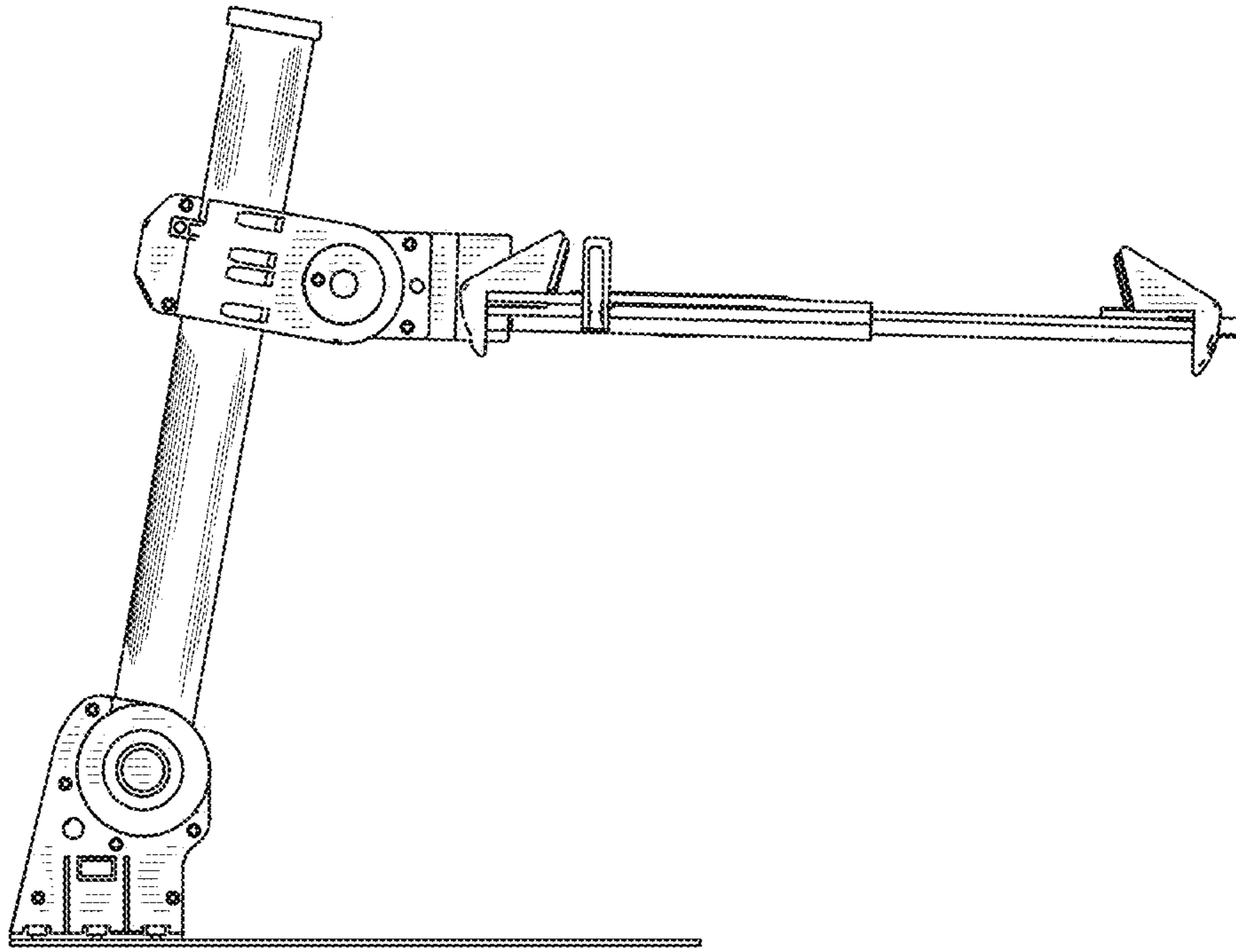


FIG. 4

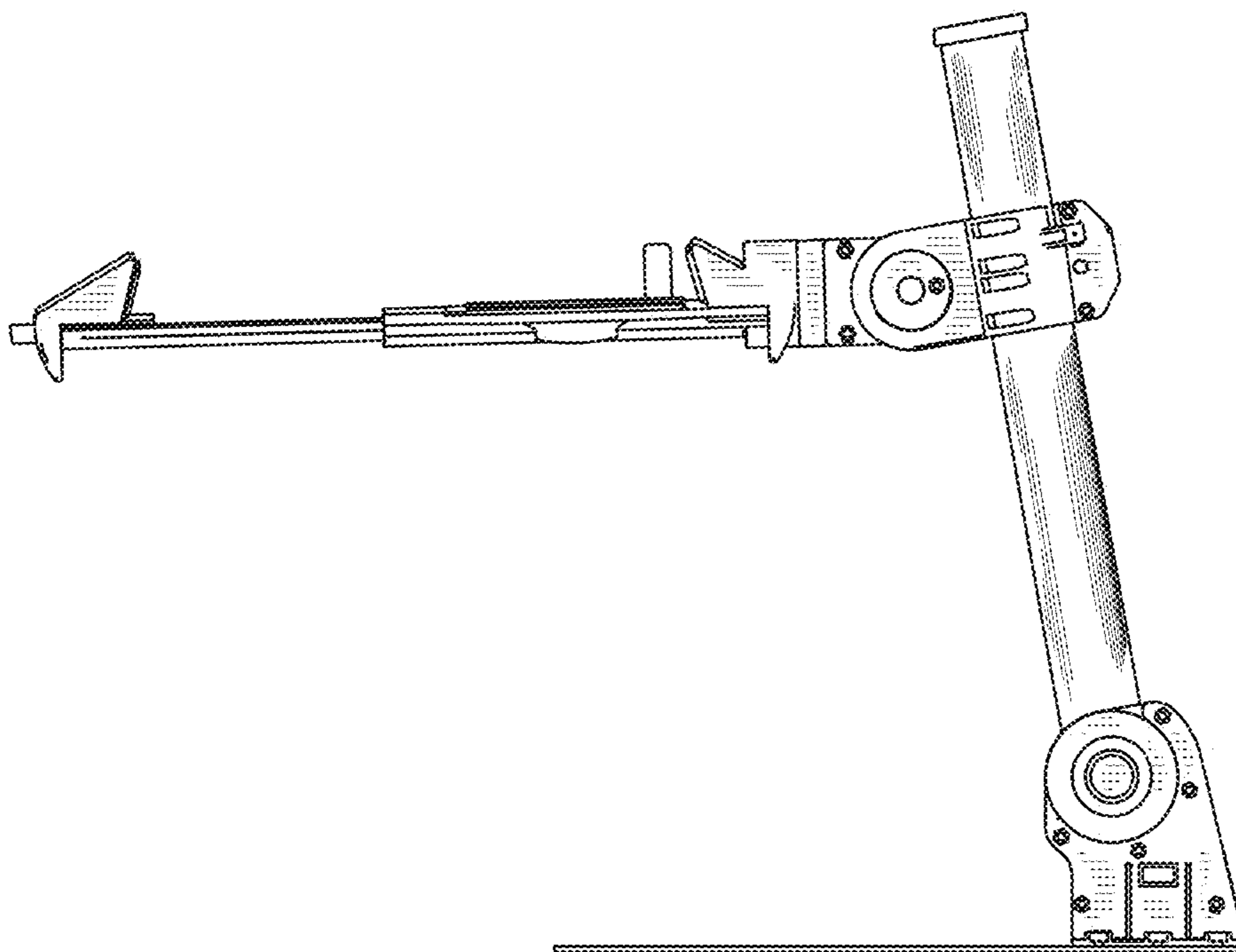


FIG. 5

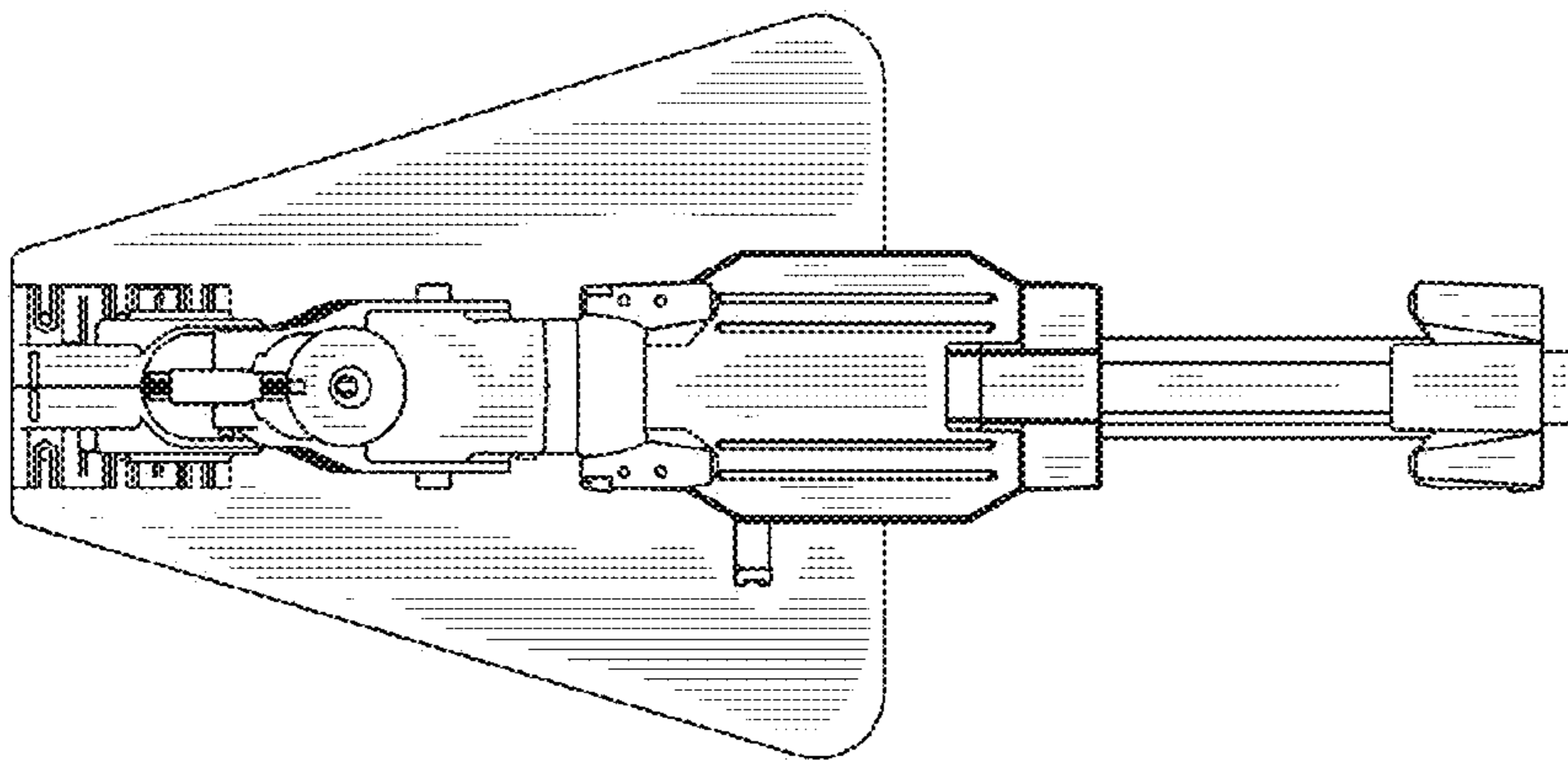


FIG. 6

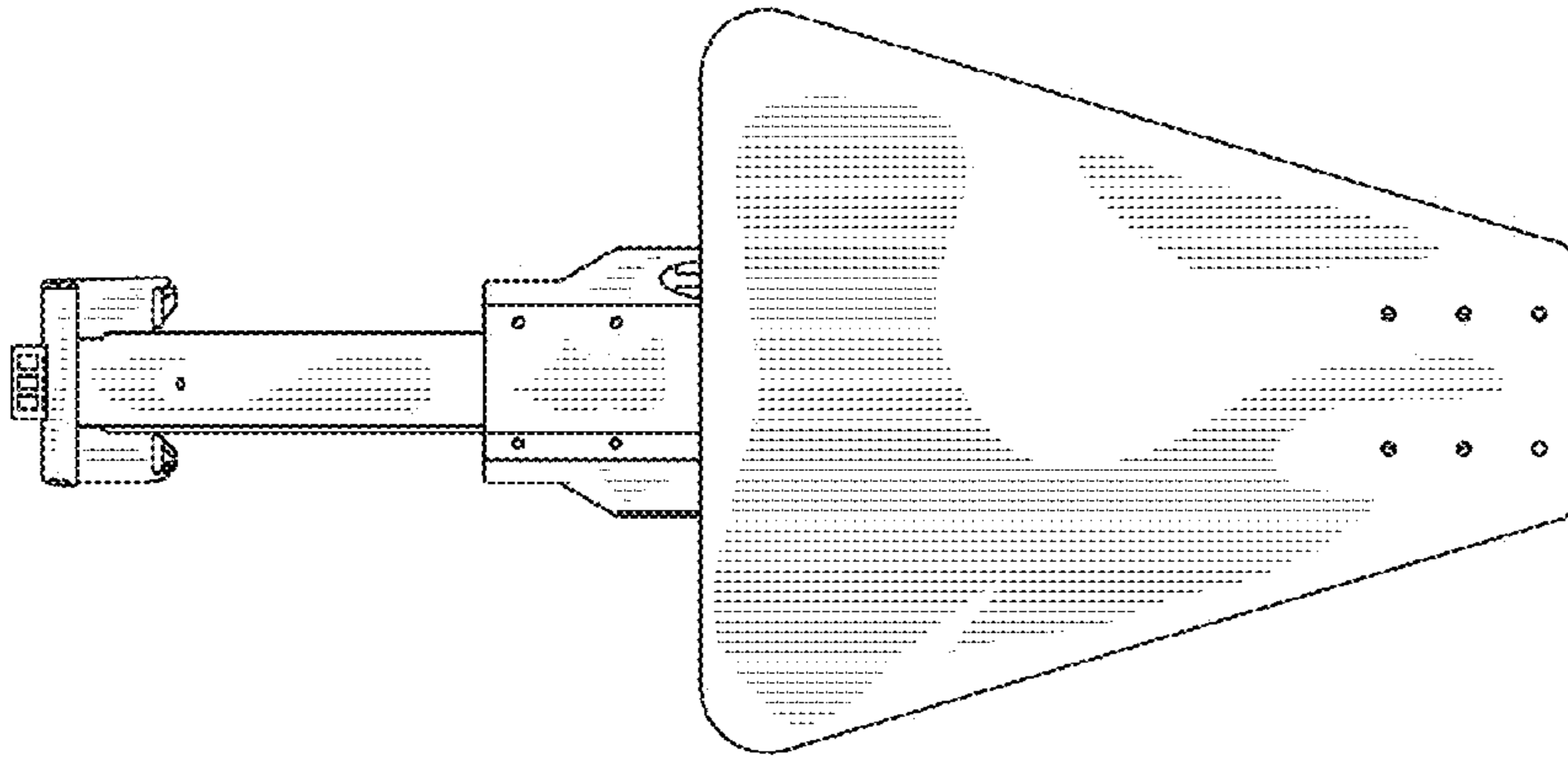


FIG. 7

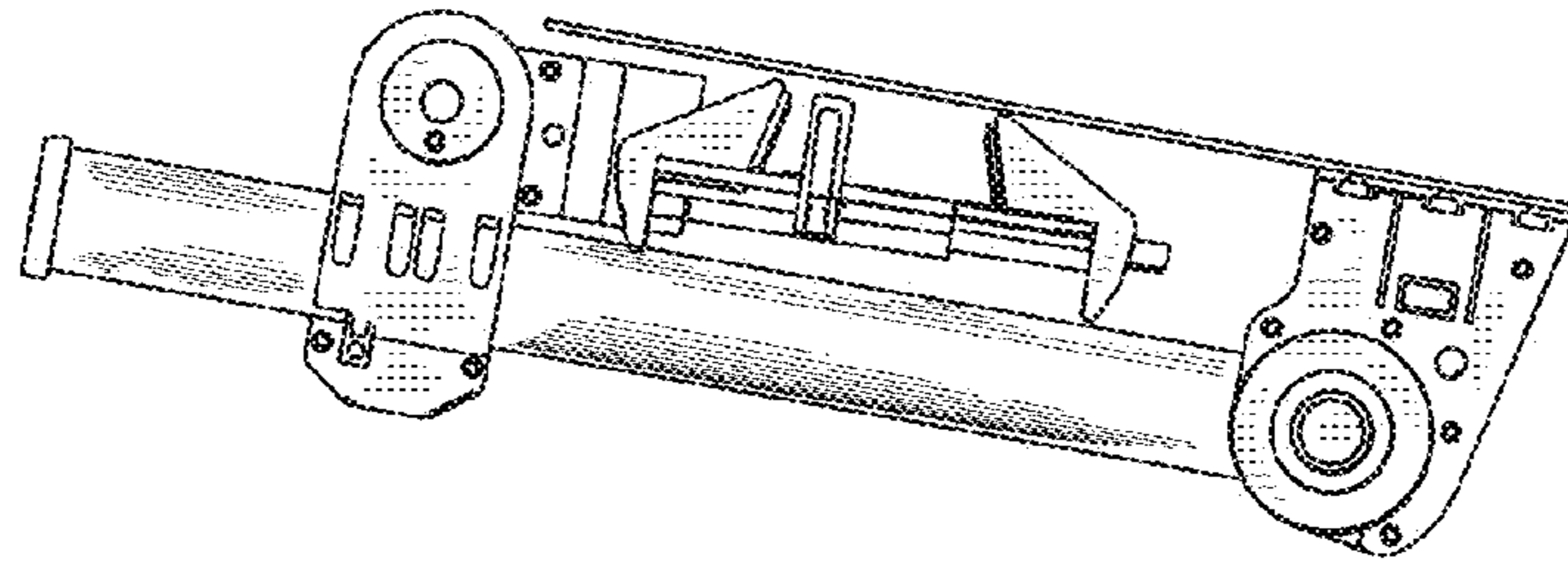


FIG. 8