



US00D709893S

(12) **United States Design Patent**
Sale et al.

(10) **Patent No.:** **US D709,893 S**
(45) **Date of Patent:** **** Jul. 29, 2014**

(54) **DOCKING STAND**

(71) Applicant: **Diversionsary Therapy Technologies Pty Ltd**, Toowong (AU)
(72) Inventors: **Robert Charles Sale**, Pullenvale (AU); **Mark Robert Guthrie**, Pullenvale (AU); **John Voltin**, Austin, TX (US); **Brooke M. Davis**, Austin, TX (US)
(73) Assignee: **DTT (Holdings) Pty Ltd**, Queensland (AU)

(**) Term: **14 Years**

(21) Appl. No.: **29/439,891**

(22) Filed: **Dec. 17, 2012**

(30) **Foreign Application Priority Data**

Jul. 18, 2012 (AU) 13395/2012

(51) **LOC (10) Cl.** **14-02**

(52) **U.S. Cl.**
USPC **D14/434**

(58) **Field of Classification Search**
USPC D14/217, 432, 434; D8/373; D13/107, D13/108, 146; 248/176.1; 320/109, 320/112-115; 361/679.4, 679.31-679.33, 361/679.41, 679.43, 679.55; 455/557; 710/15, 303

See application file for complete search history.

(56) **References Cited**

U.S. PATENT DOCUMENTS

D351,133 S * 10/1994 Jungels-Butler et al. D13/108
7,075,579 B2 * 7/2006 Whitby et al. 348/375
7,643,283 B2 * 1/2010 Jubelirer et al. 361/679.41
D640,699 S * 6/2011 McParland D14/434
D667,403 S * 9/2012 Maus D14/385
2003/0048599 A1 * 3/2003 Martin 361/683

* cited by examiner

Primary Examiner — Freda S Nunn

(74) *Attorney, Agent, or Firm* — Barnes & Thornburg LLP

(57) **CLAIM**

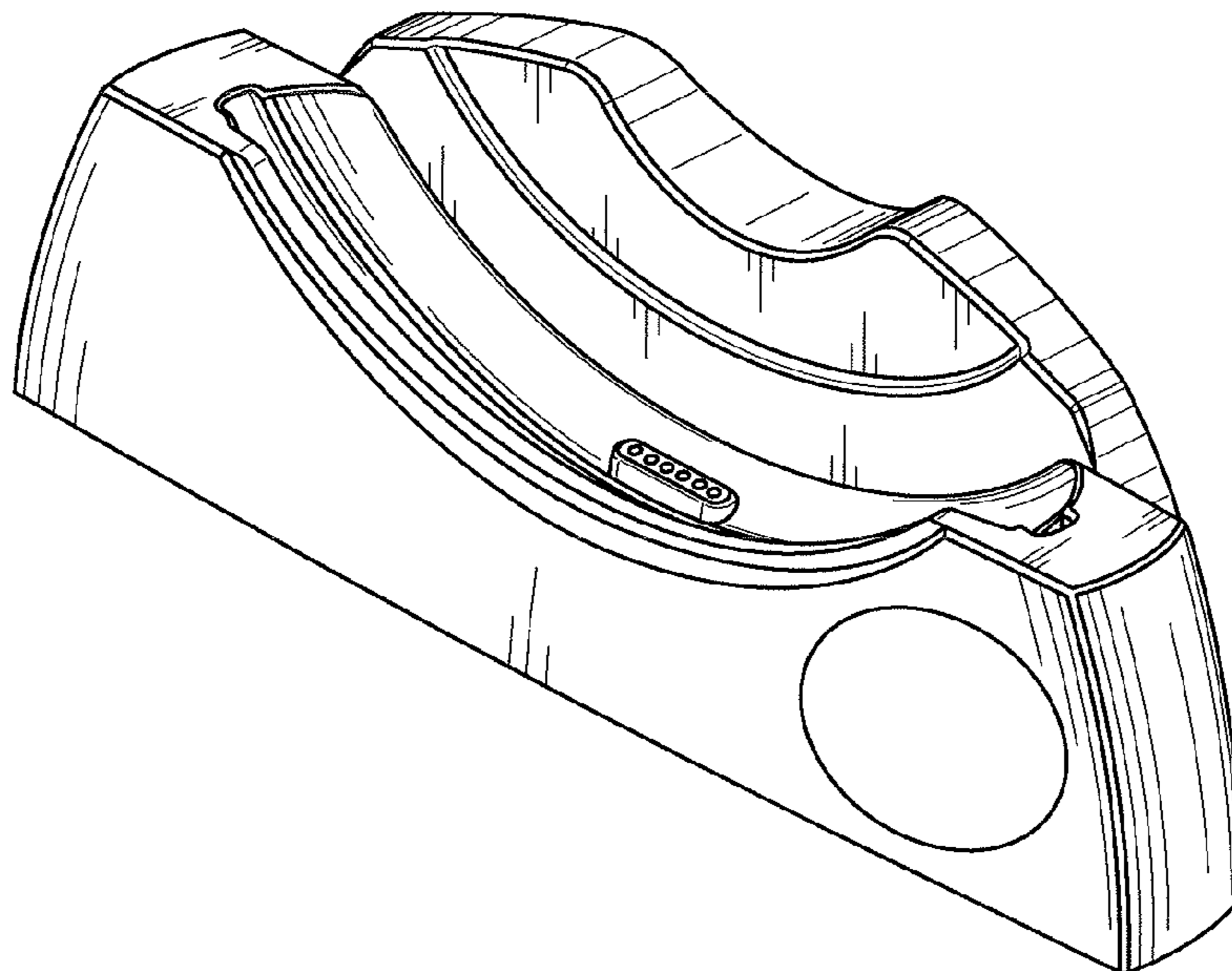
The ornamental design for a docking stand, as shown and described.

DESCRIPTION

FIG. 1 is an isometric view from the front of a docking stand, FIG. 2 is an isometric view from the rear thereof, FIG. 3 is a front elevational view thereof, FIG. 4 is a rear elevational view thereof, FIG. 5 is a top plan view thereof, FIG. 6 is a left side elevational view thereof, FIG. 7 is a right side elevational view thereof; and, FIG. 8 is a bottom plan view thereof.

The features shown in broken lines are not part of the design.

1 Claim, 8 Drawing Sheets



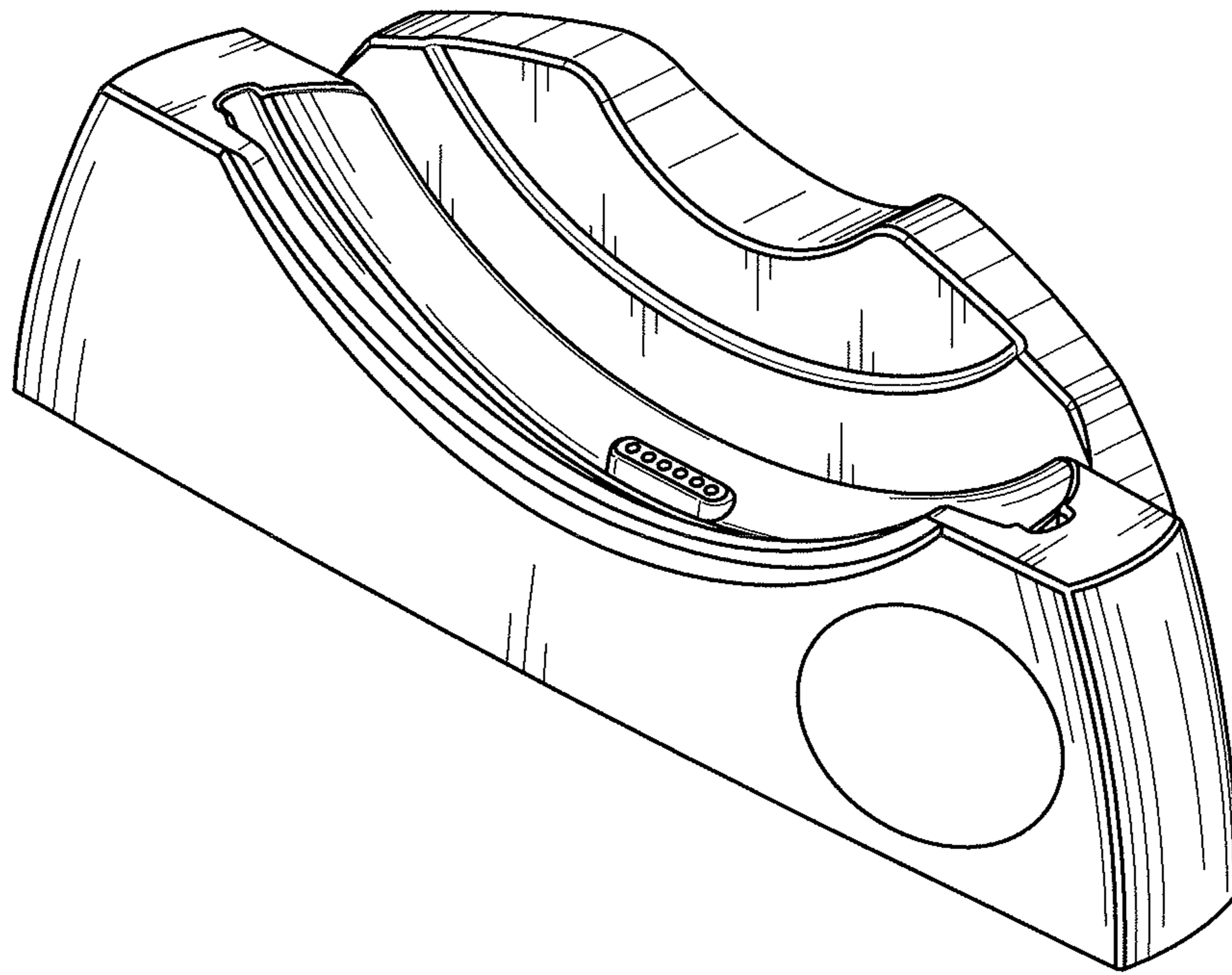


FIG. 1

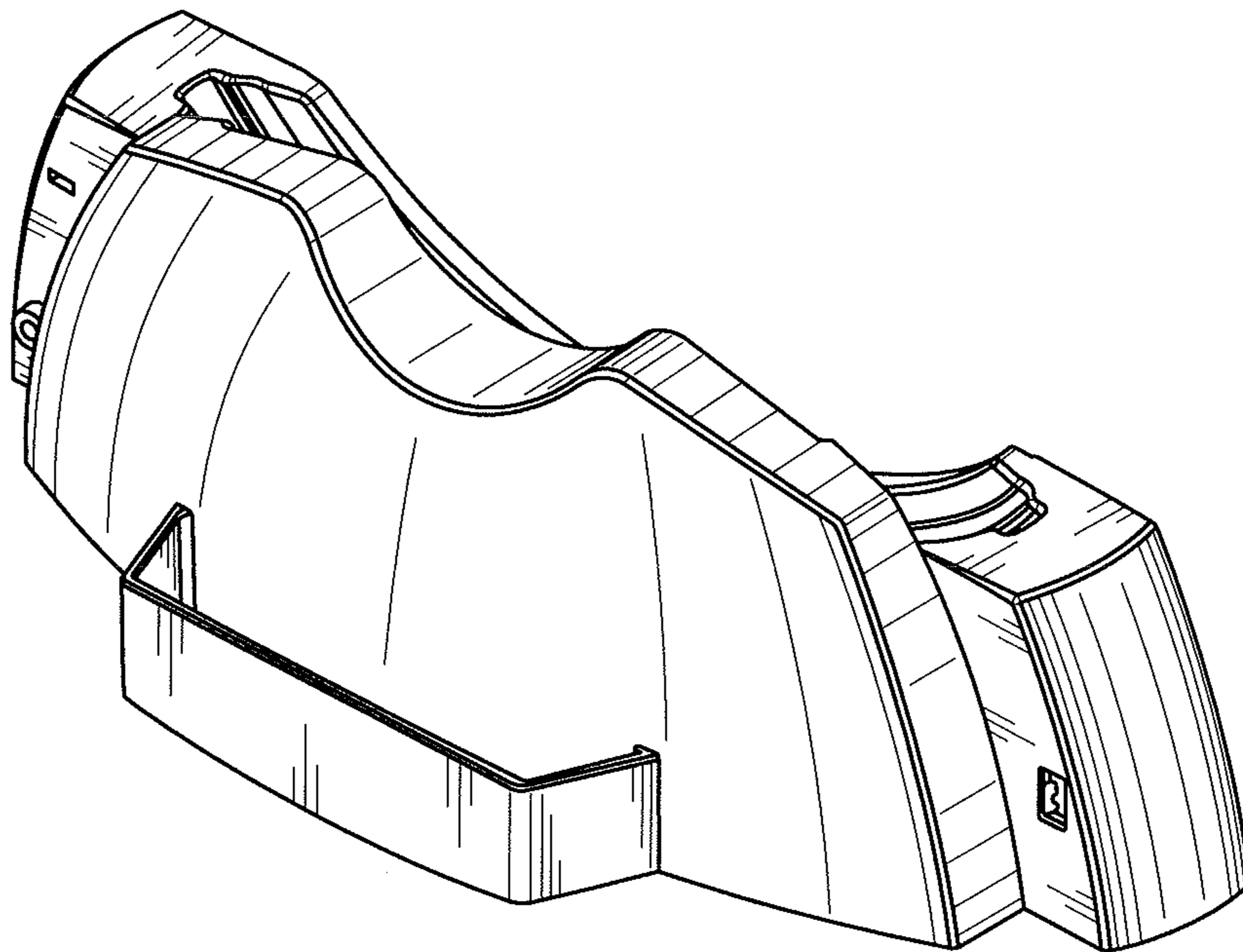


FIG. 2

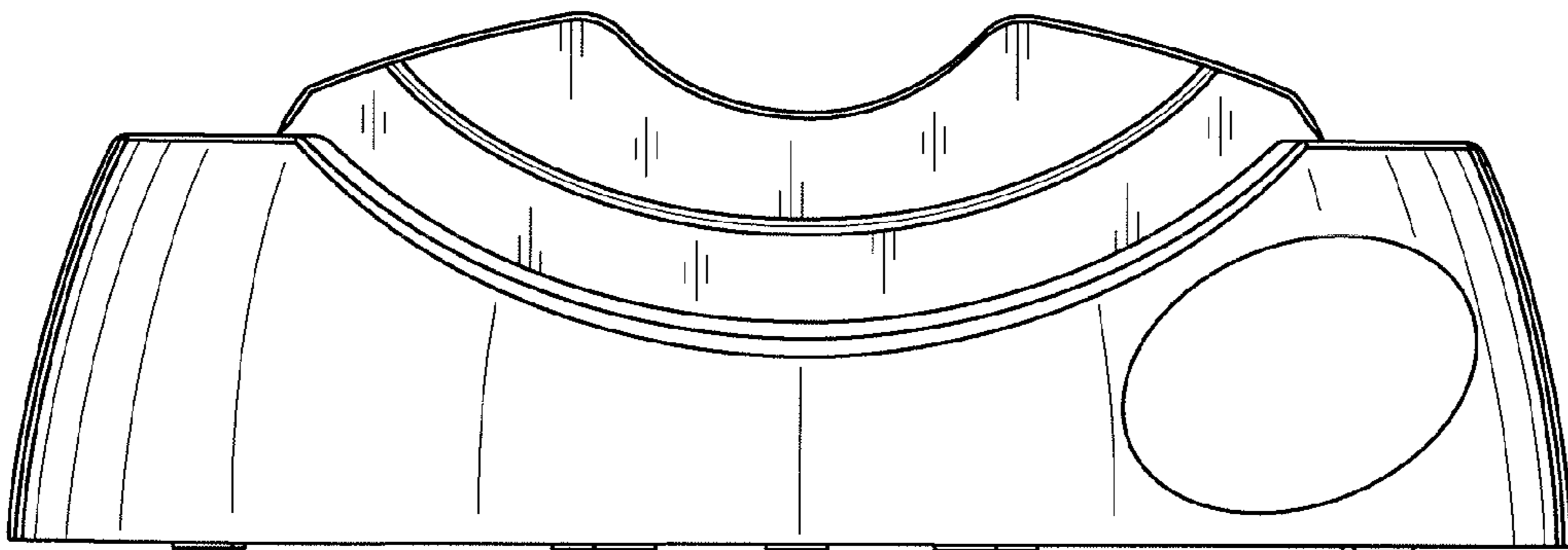


FIG. 3

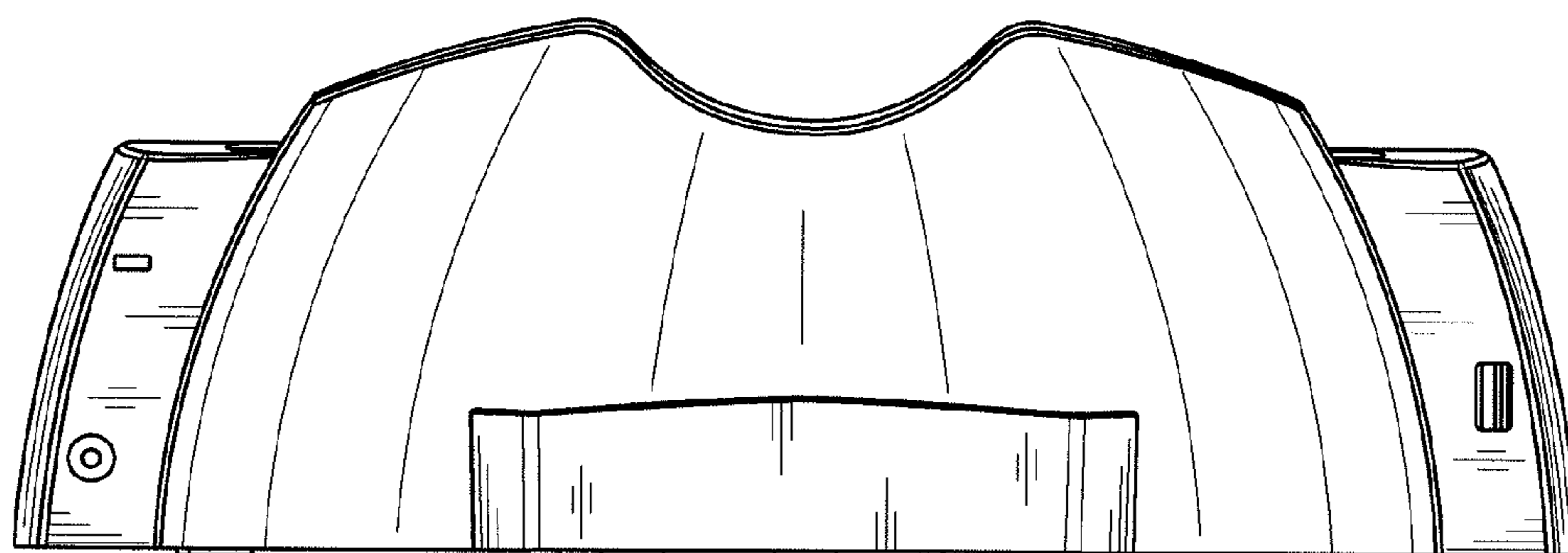


FIG. 4

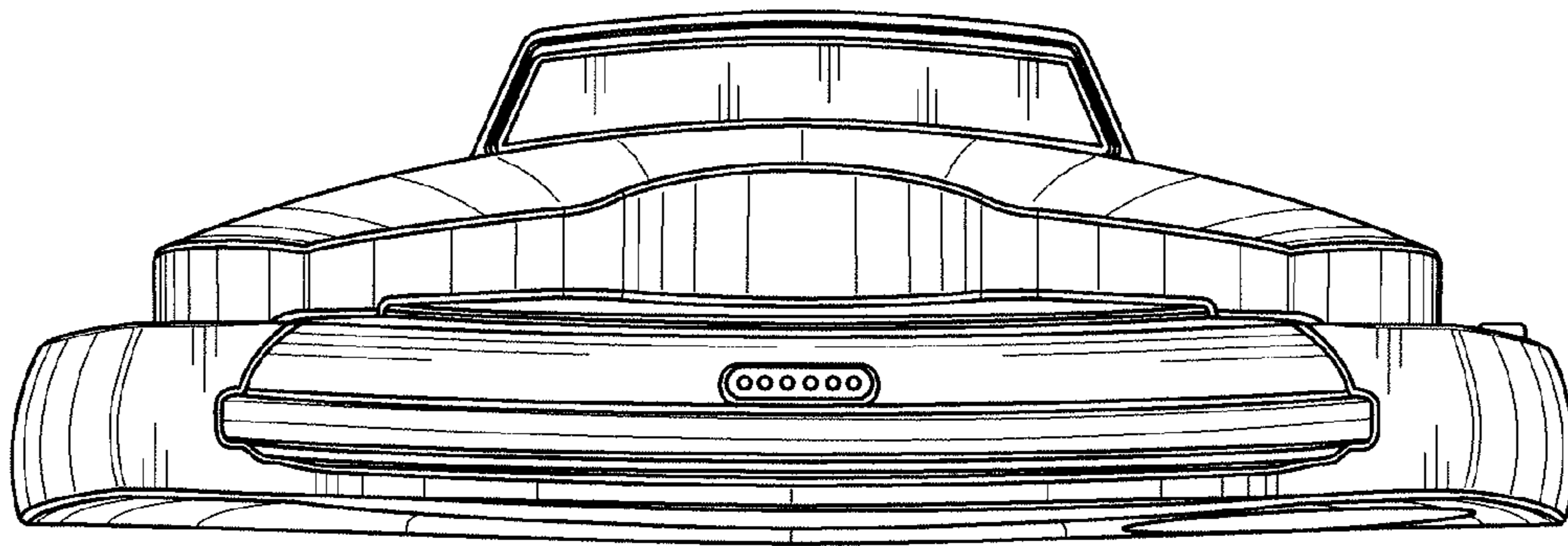


FIG. 5

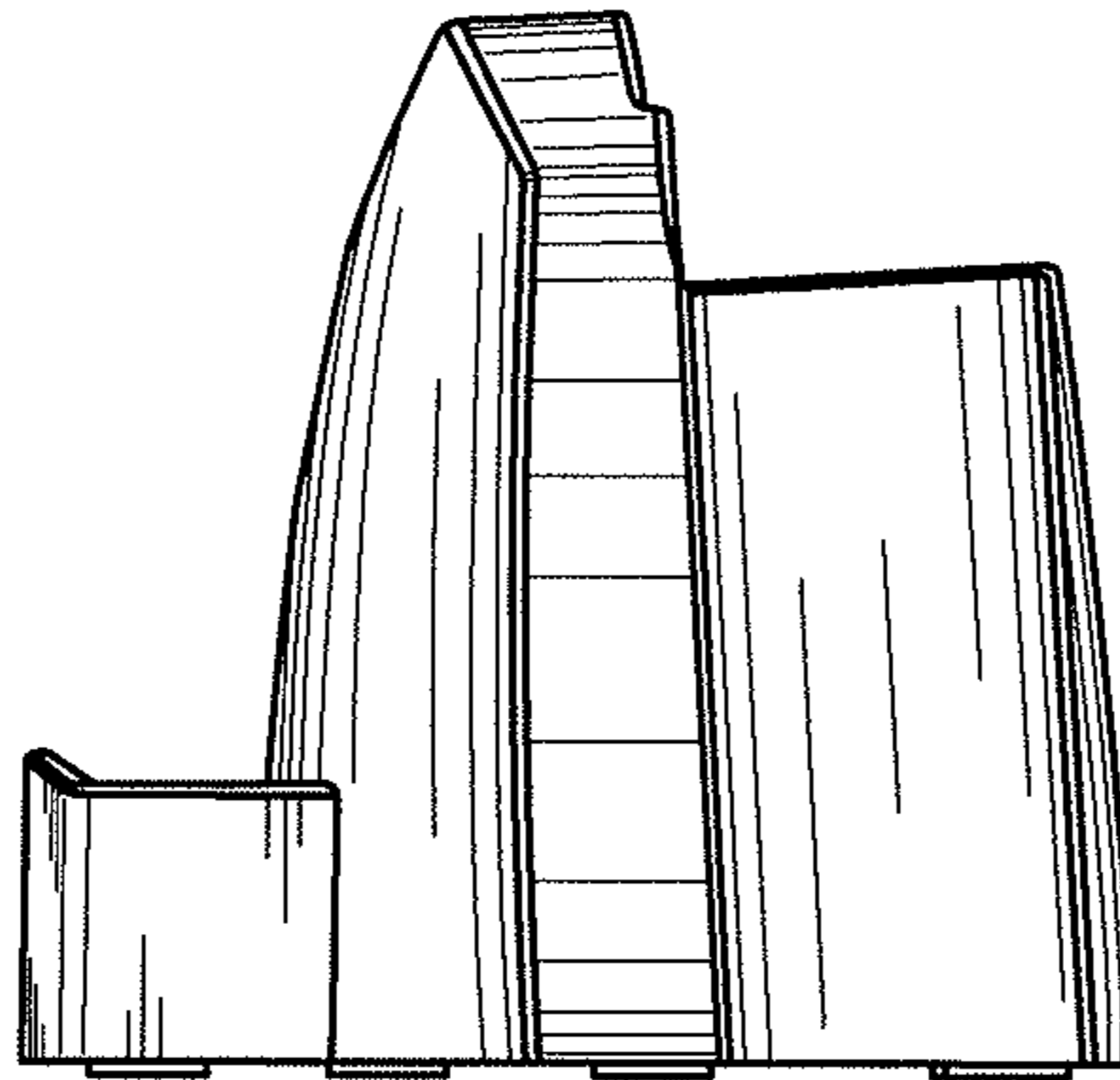


FIG. 6

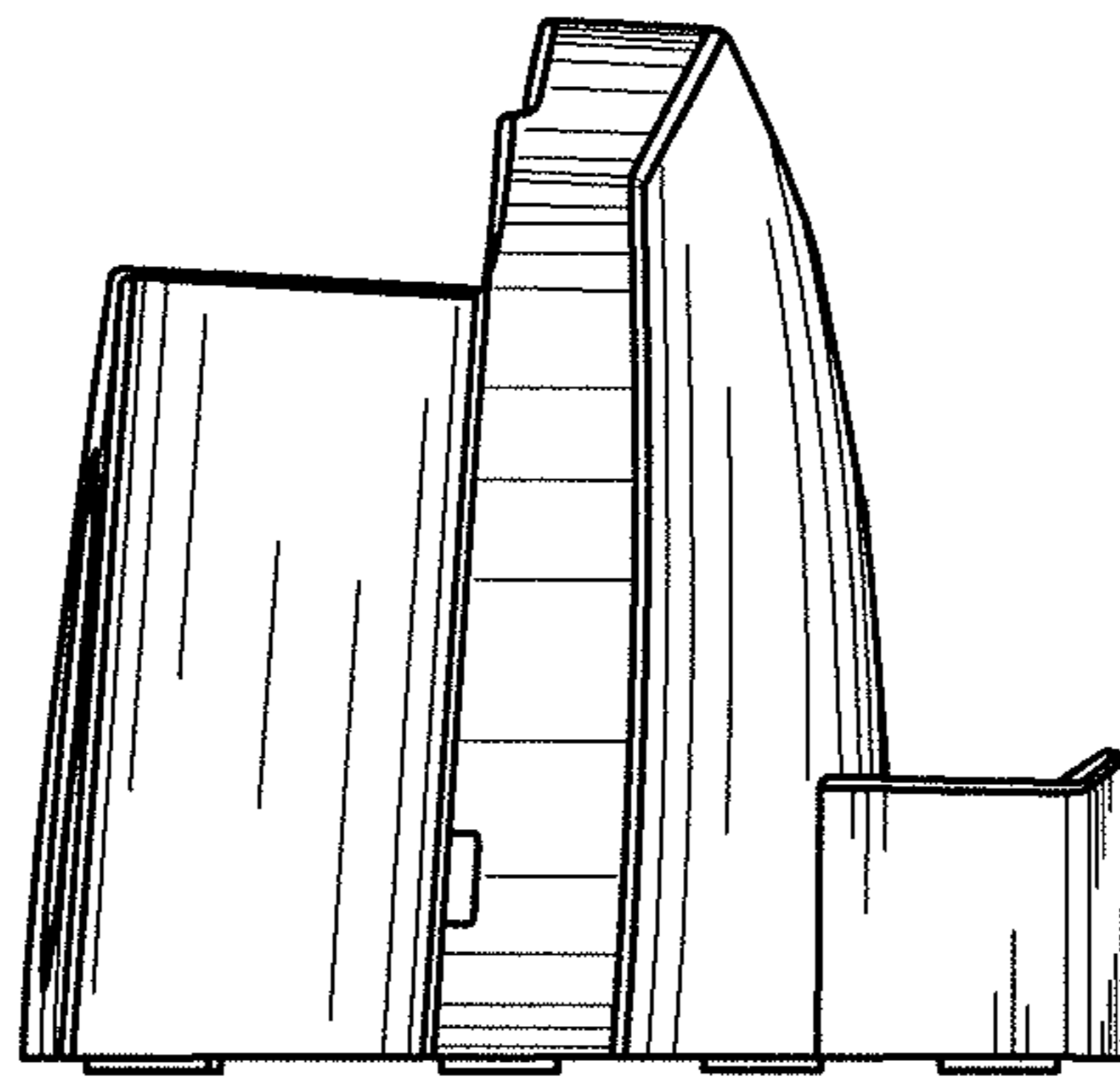


FIG. 7

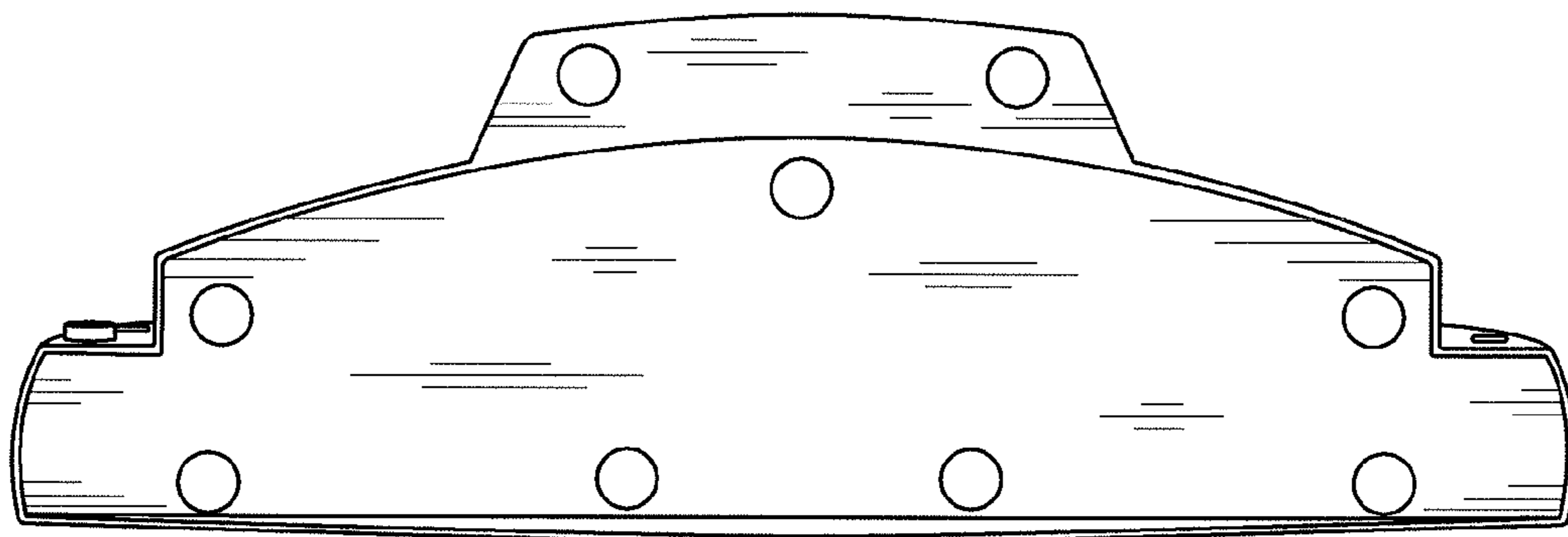


FIG. 8