



US00D709892S

(12) **United States Design Patent**
Lui

(10) **Patent No.:** **US D709,892 S**
(45) **Date of Patent:** **** Jul. 29, 2014**

(54) **USB HUBS**

(71) Applicant: **Eric Beare Associates Limited,**
Kowloon (HK)

(72) Inventor: **Wing Kit Lui,** Kowloon (HK)

(73) Assignee: **Eric Beare Associates Limited,**
Kowloon (HK)

(**) Term: **14 Years**

(21) Appl. No.: **29/470,019**

(22) Filed: **Oct. 17, 2013**

(51) **LOC (10) Cl.** **14-02**

(52) **U.S. Cl.**
USPC **D14/433**

(58) **Field of Classification Search**
USPC D14/356, 432-434, 453, 454, 511,
D14/203.8, 209.1, 238.1, 240, 125;
439/638, 928, 105, 502; 710/303, 304;
361/679.41, 679.55, 679.56; D13/110,
D13/133, 146

See application file for complete search history.

(56) **References Cited**

U.S. PATENT DOCUMENTS

D478,086 S *	8/2003	Chuang	D14/433
D523,014 S *	6/2006	Liu et al.	D14/433
D559,848 S *	1/2008	Siu	D14/433
D559,849 S *	1/2008	Siu	D14/433

D627,784 S *	11/2010	Yamamoto	D14/433
D670,290 S *	11/2012	Dalton	D14/433
D670,291 S *	11/2012	Dalton	D14/433
D677,259 S *	3/2013	van der Lande	D14/433
D678,286 S *	3/2013	Cheng	D14/433

* cited by examiner

Primary Examiner — Austin Murphy

(74) *Attorney, Agent, or Firm* — Prakash Nama; Global IP Services, PLLC

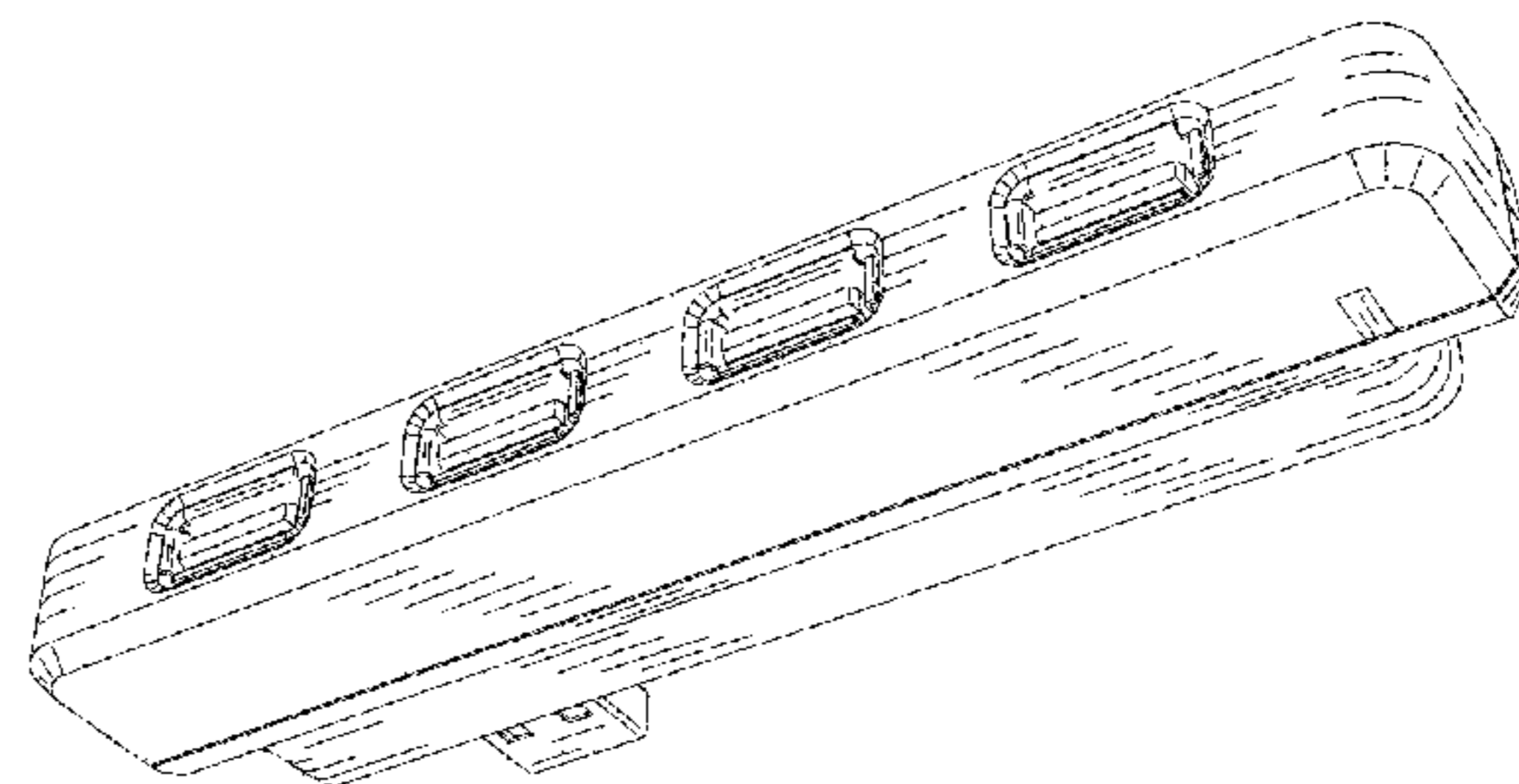
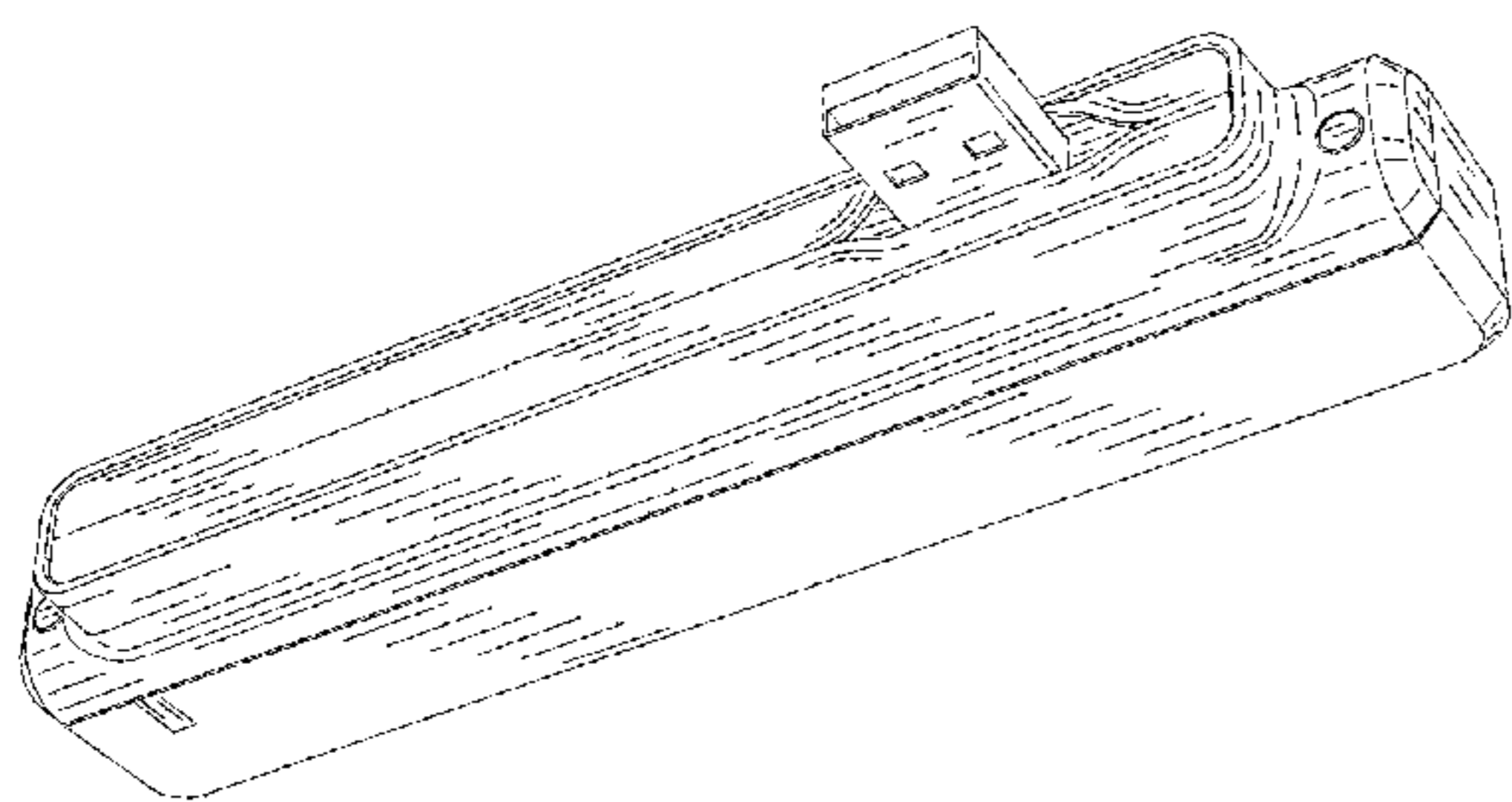
(57) **CLAIM**

The ornamental design for a USB hubs, as shown and described.

DESCRIPTION

FIG. 1 is a front elevational view of a USB hubs showing my new design;
 FIG. 2 is a rear elevational view thereof;
 FIG. 3 is a left side view thereof;
 FIG. 4 is a right side view thereof;
 FIG. 5 is a top plan view thereof;
 FIG. 6 is a bottom plan view thereof;
 FIG. 7 is a perspective view thereof;
 FIG. 8 is another perspective view thereof;
 FIG. 9 is another perspective view thereof;
 FIG. 10 is another perspective view thereof;
 FIG. 11 is a perspective view thereof with the USB plug slid to the middle;
 FIG. 12 is a perspective view thereof with the USB plug slid to the other end compared with FIG. 7;
 FIG. 13 is another perspective view of FIG. 11; and,
 FIG. 14 is another perspective view of FIG. 12.

1 Claim, 5 Drawing Sheets



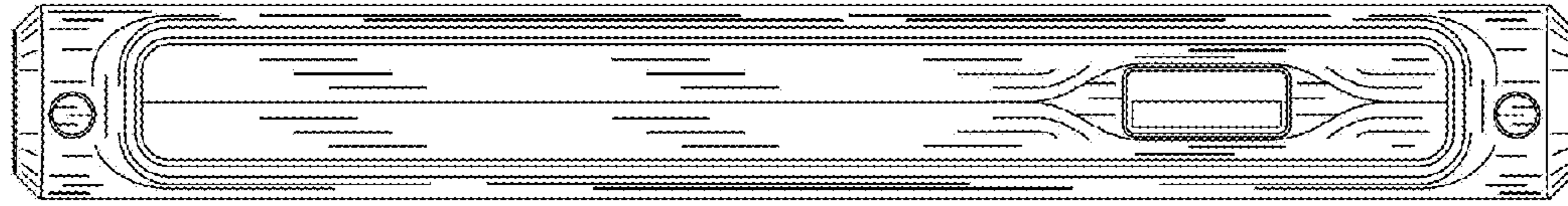


FIG. 1

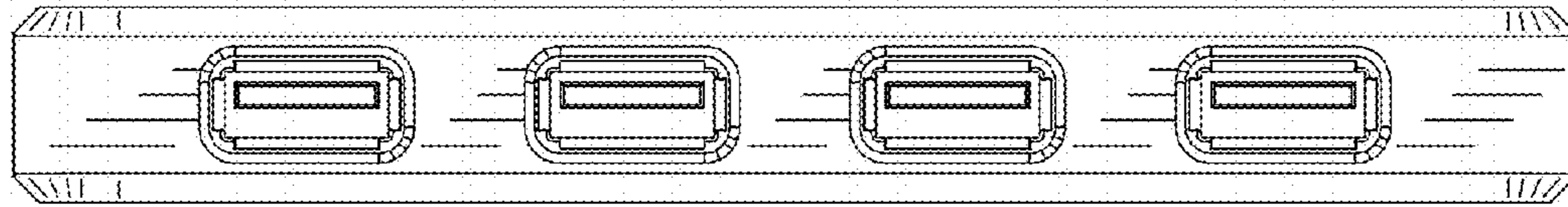


FIG. 2

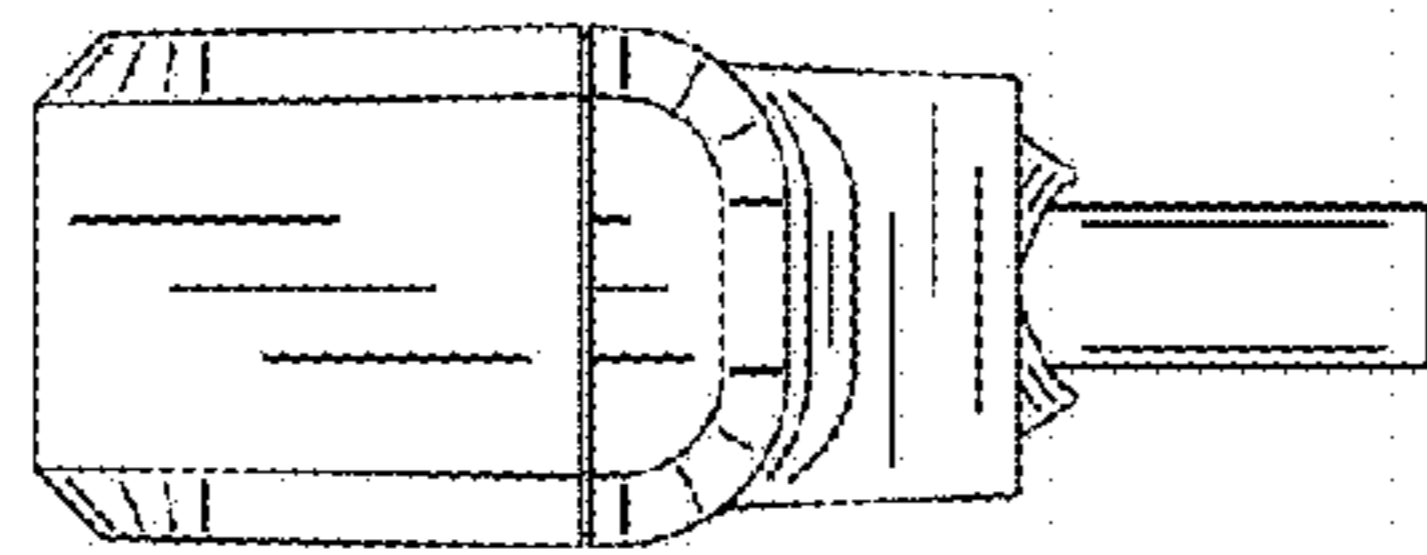


FIG. 3

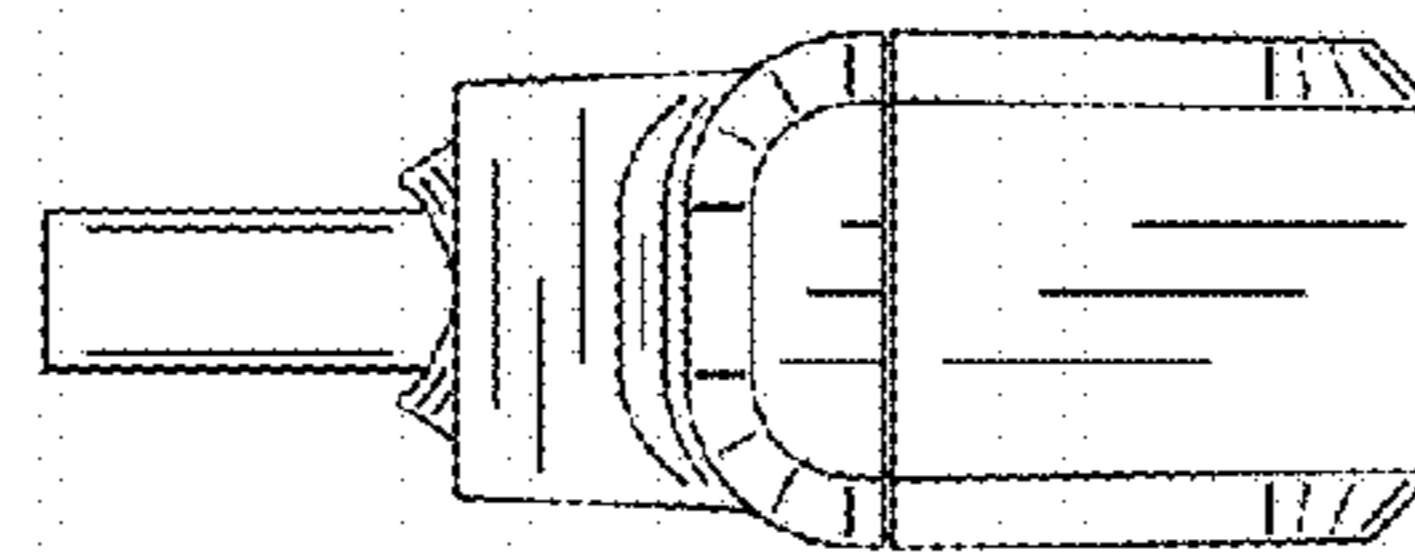


FIG. 4

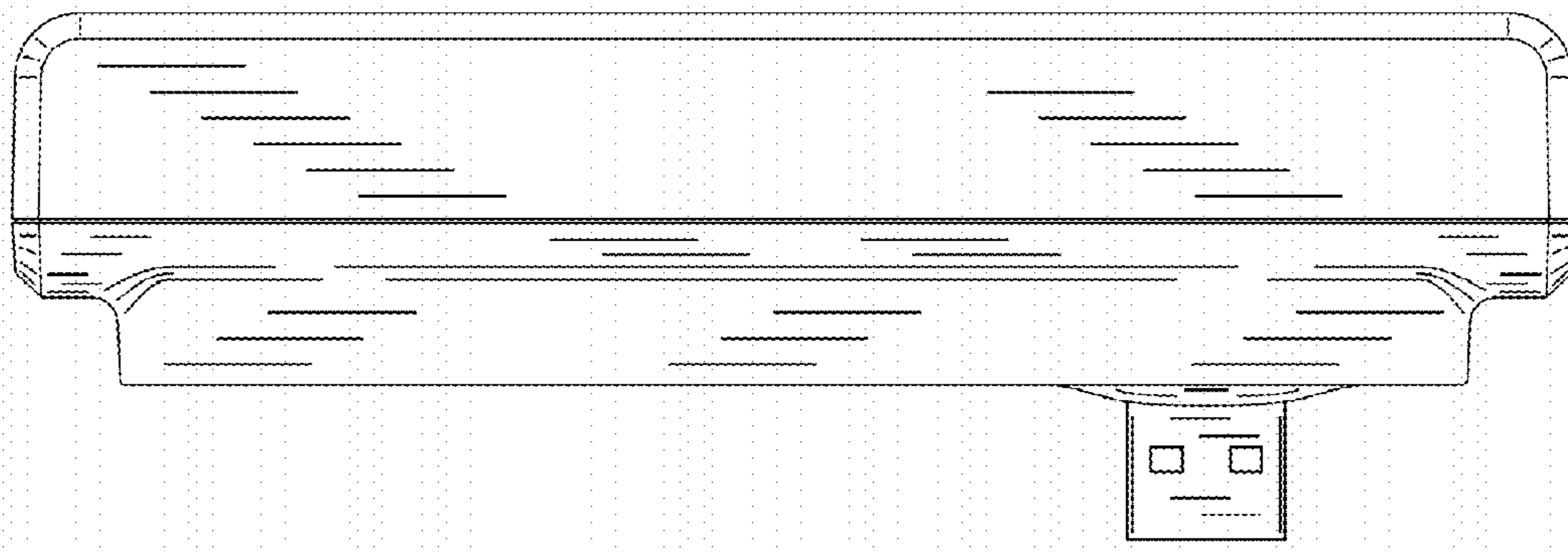


FIG. 5

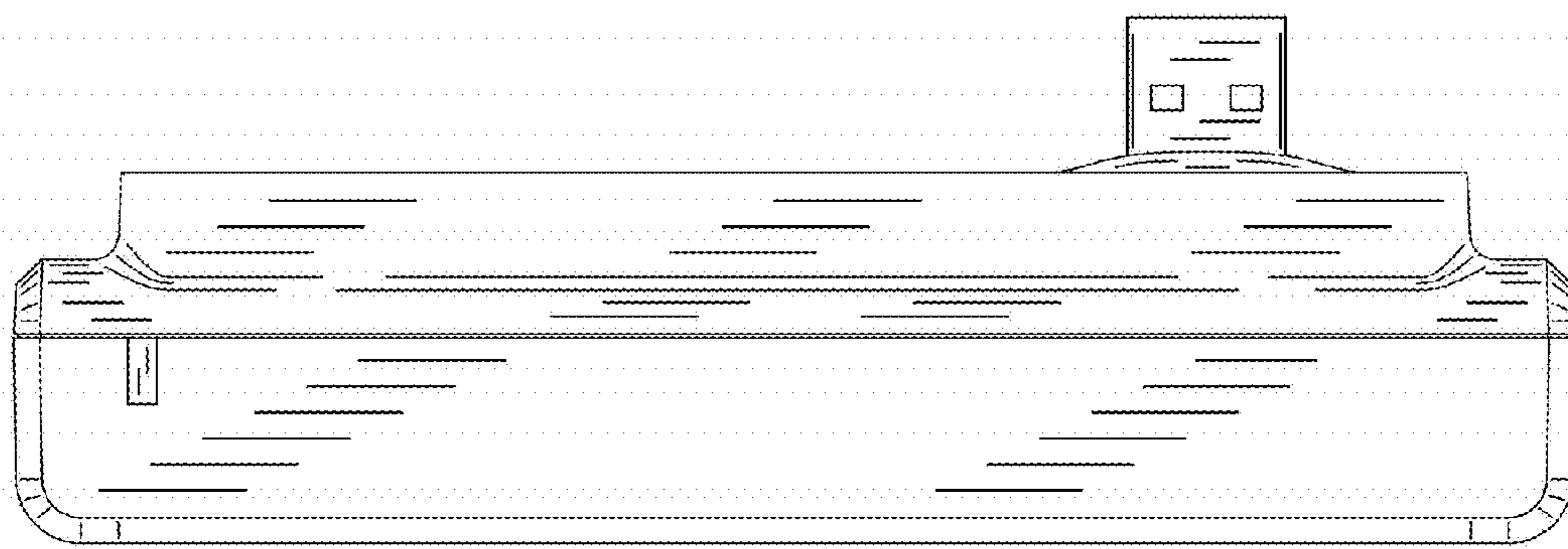


FIG. 6

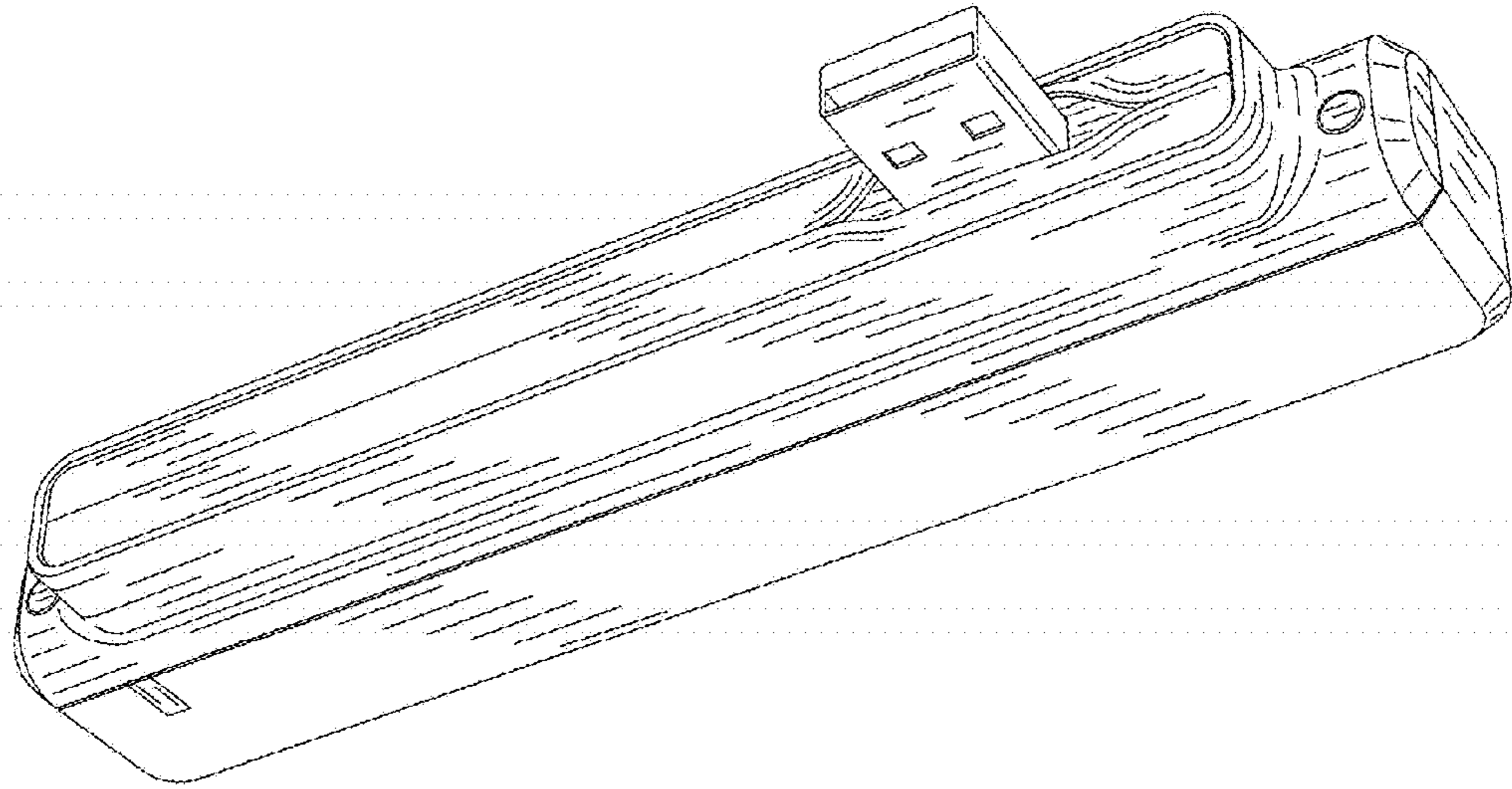


FIG. 7

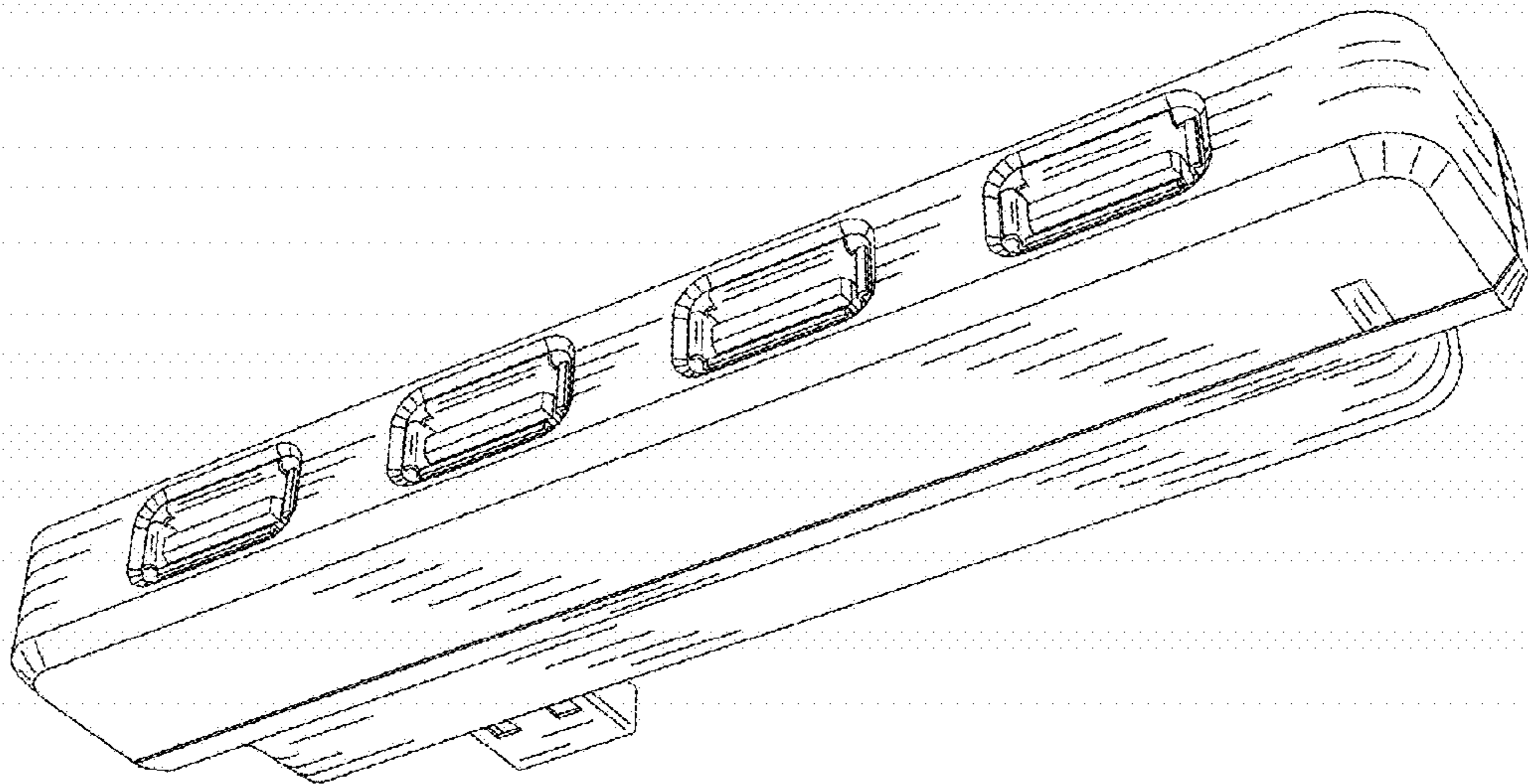


FIG. 8

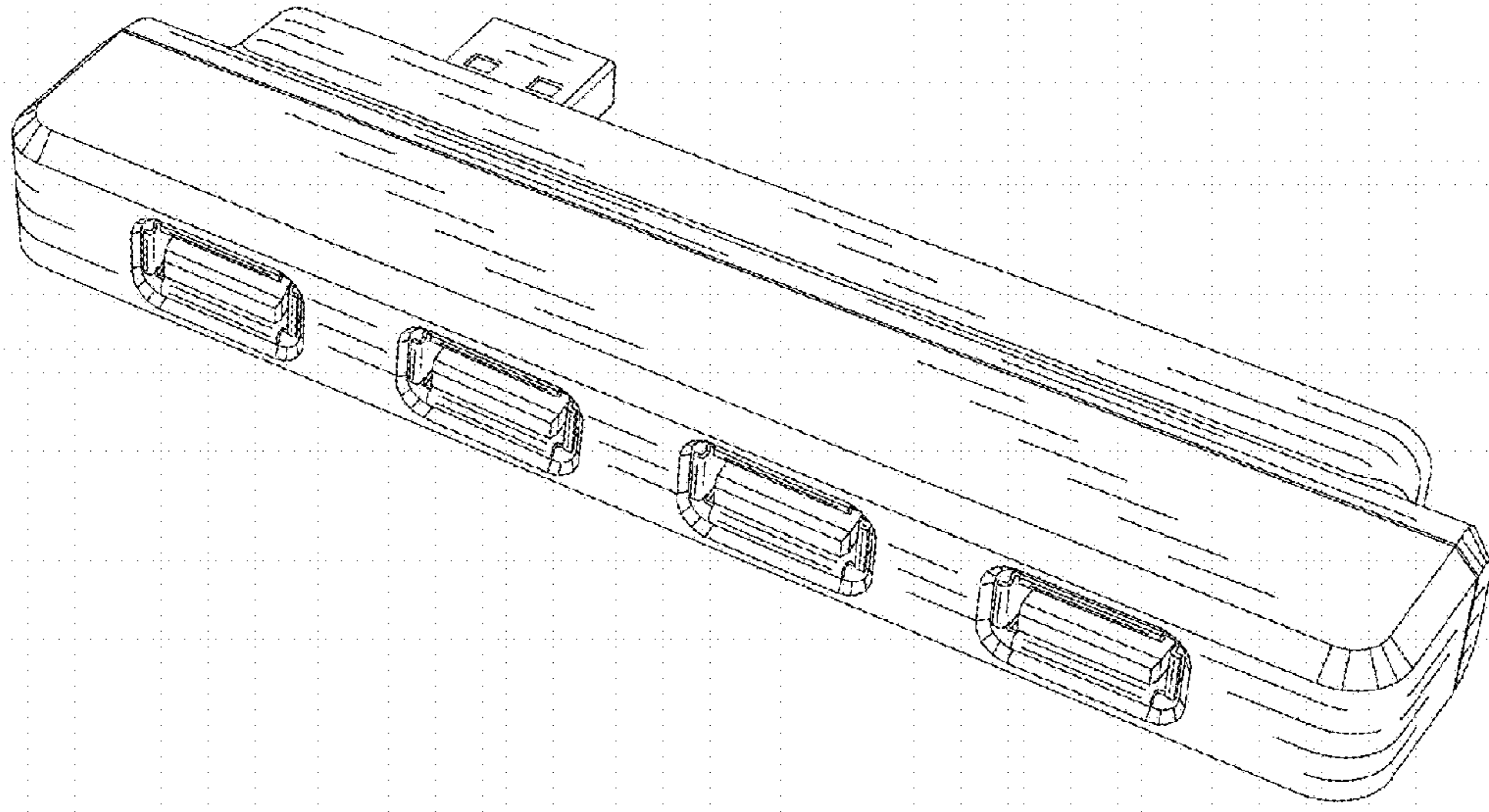


FIG. 9

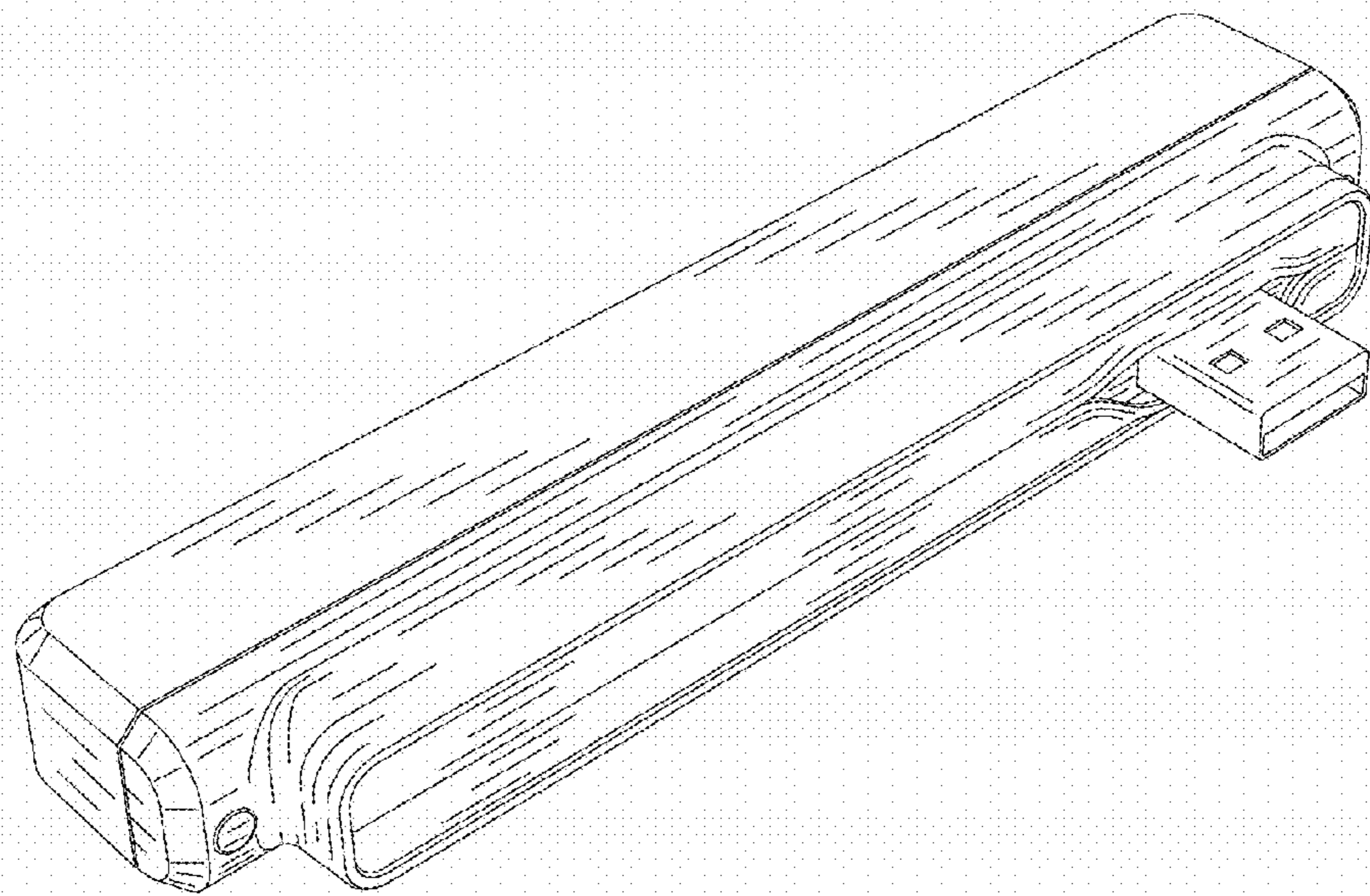


FIG. 10

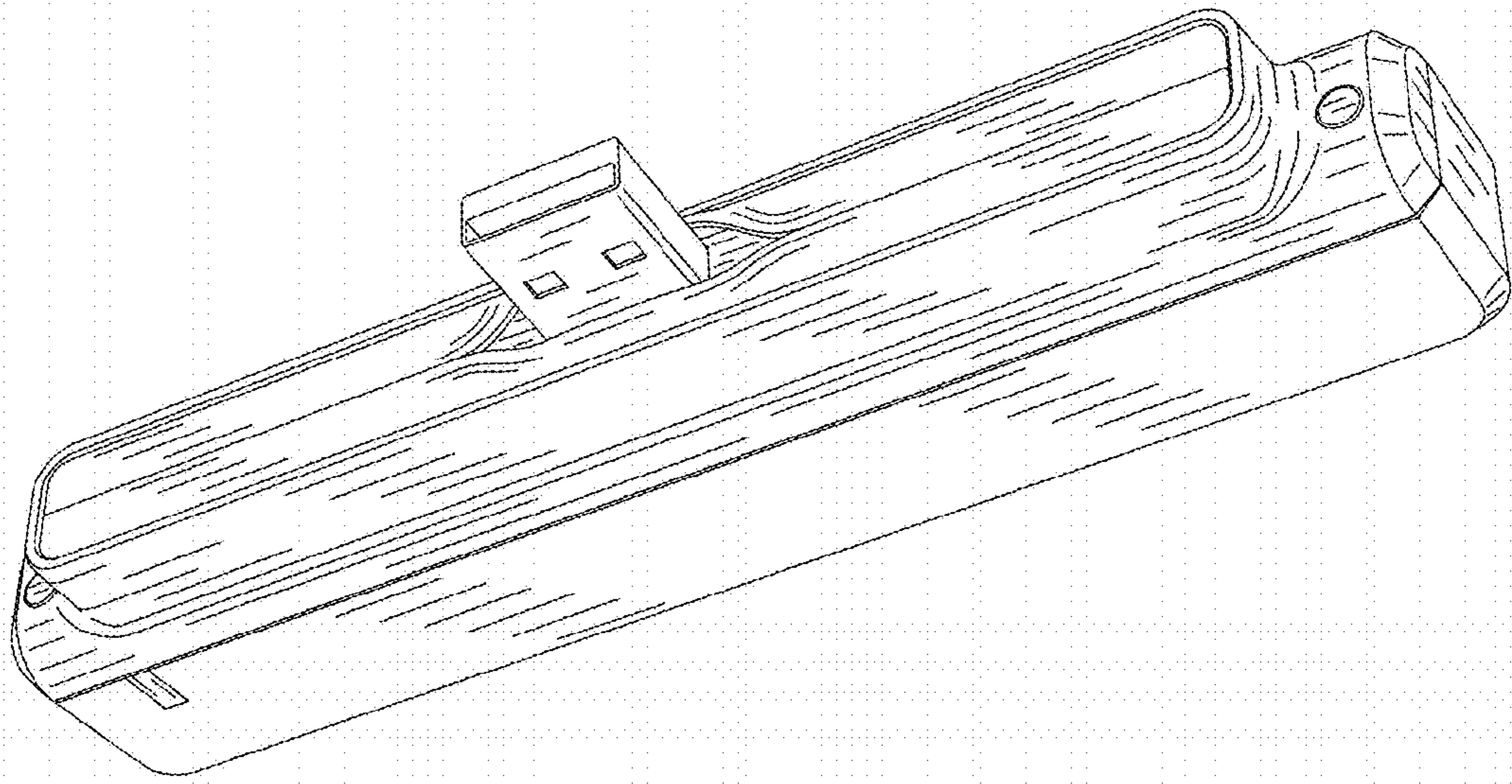


FIG. 11

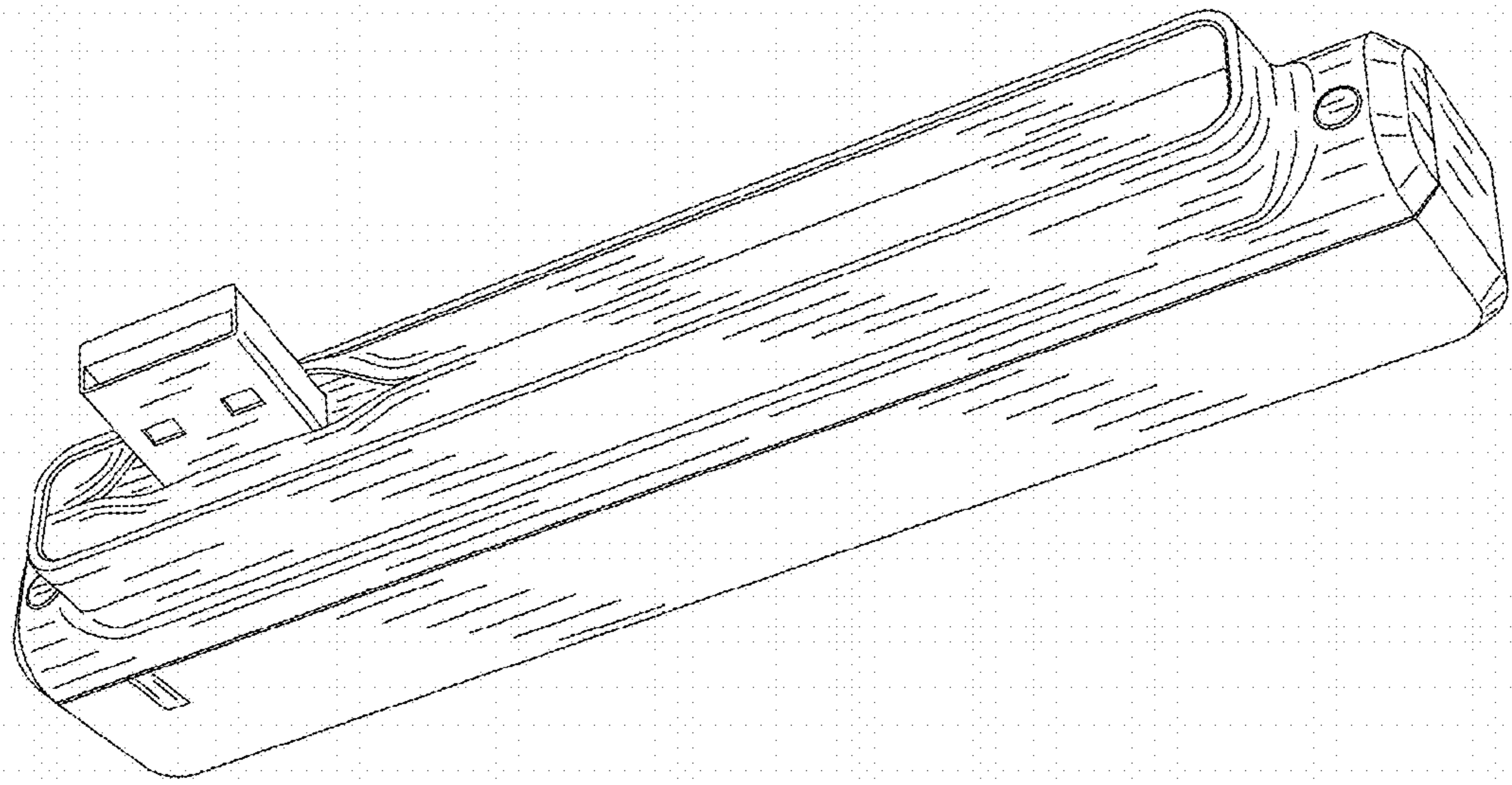


FIG. 12

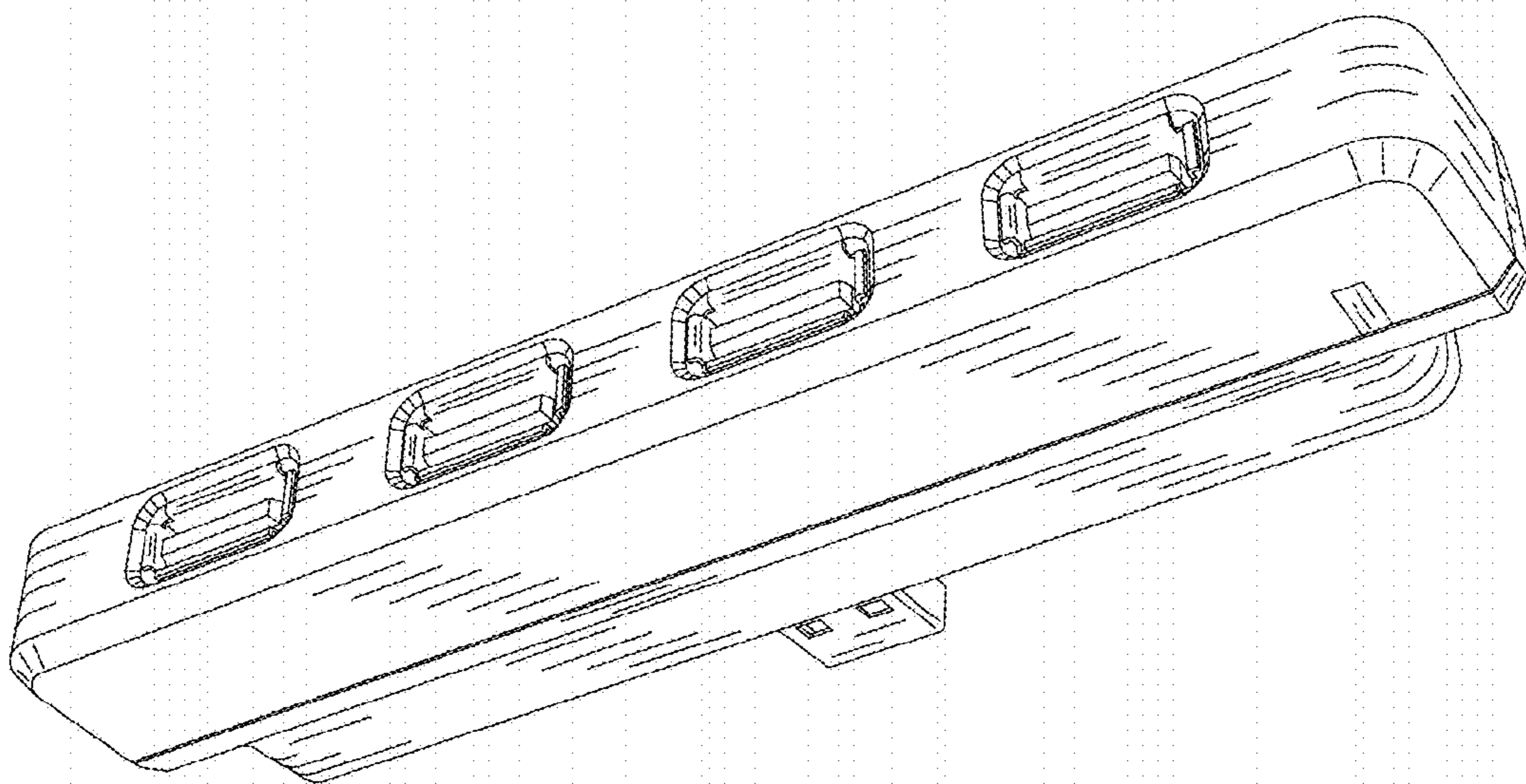


FIG. 13

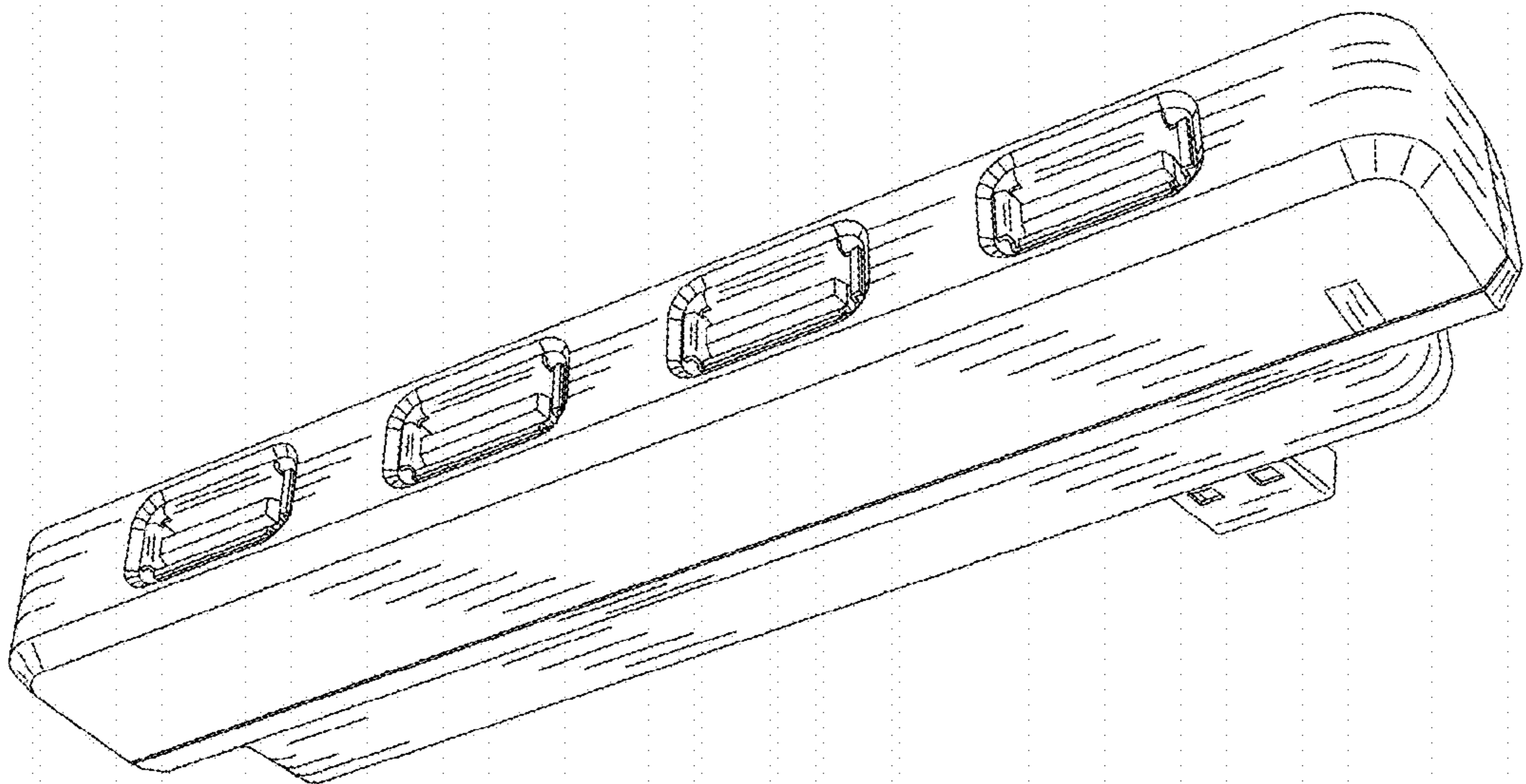


FIG. 14