



US00D709891S

(12) **United States Design Patent**  
**Alesi et al.**

(10) **Patent No.:** **US D709,891 S**  
(45) **Date of Patent:** **\*\* Jul. 29, 2014**

(54) **FOLDING USB ADAPTER**

(71) Applicant: **Custom Accessories Inc.**, Richmond, IL (US)

(72) Inventors: **Vincent Anthony Alesi**, Richmond, IL (US); **Anthony Salvatore Ferenzi**, Richmond, IL (US)

(73) Assignee: **Custom Accessories, Inc.**, Richmond, IL (US)

(\*\*) Term: **14 Years**

(21) Appl. No.: **29/454,468**

(22) Filed: **May 10, 2013**

(51) **LOC (10) Cl.** ..... **14-02**

(52) **U.S. Cl.**  
USPC ..... **D14/433**

(58) **Field of Classification Search**  
USPC ..... D14/356, 432-434, 453, 454, 511, D14/203.8, 209.1, 238.1, 240, 125; 439/638, 928, 105, 502; 710/303, 304; 361/679.41, 679.55, 679.56; D13/110, D13/133, 146  
See application file for complete search history.

(56) **References Cited**

**U.S. PATENT DOCUMENTS**

D522,992 S *	6/2006	Dayan	.....	D14/155
D523,413 S *	6/2006	Dayan	.....	D14/155
D538,775 S *	3/2007	Dayan	.....	D14/155
D541,254 S *	4/2007	Dayan	.....	D14/155
D546,811 S *	7/2007	Neu et al.	.....	D14/155
D548,719 S *	8/2007	Dayan	.....	D14/155
D550,197 S *	9/2007	Dayan	.....	D14/155

D556,730 S *	12/2007	Yokoyama	.....	D14/155
D559,848 S *	1/2008	Siu	.....	D14/433
D573,578 S *	7/2008	Turksu et al.	.....	D14/155
D599,800 S *	9/2009	Klein et al.	.....	D14/433
D624,548 S *	9/2010	Yamamoto	.....	D14/433
D627,784 S *	11/2010	Yamamoto	.....	D14/433
D678,286 S *	3/2013	Cheng	.....	D14/433
D680,539 S *	4/2013	Kim	.....	D14/433
D682,835 S *	5/2013	Daniel	.....	D14/433

\* cited by examiner

*Primary Examiner* — Austin Murphy

(74) *Attorney, Agent, or Firm* — Leydig, Voit & Mayer, Ltd.

(57) **CLAIM**

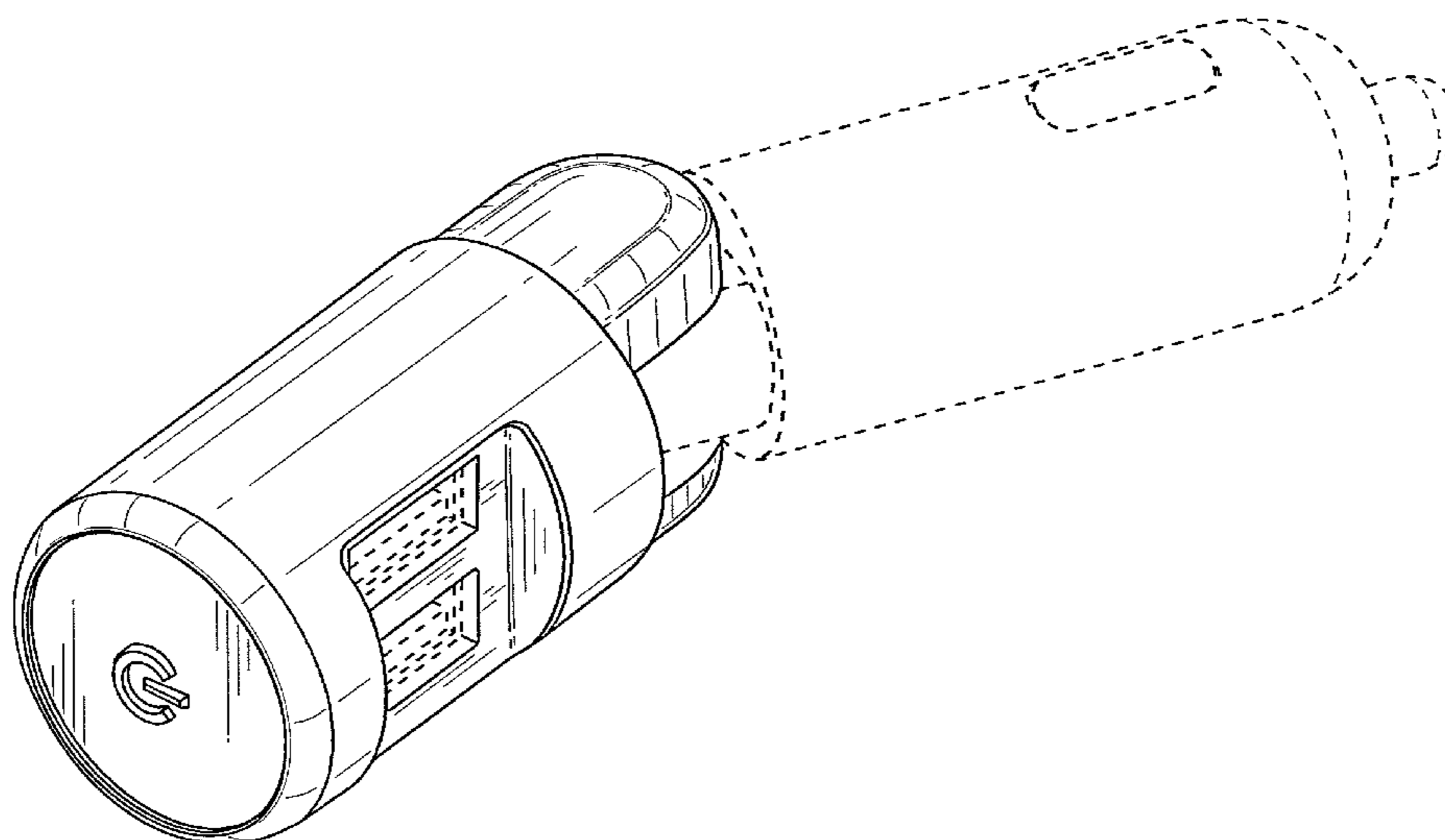
The ornamental design for a folding USB adapter, as shown and described.

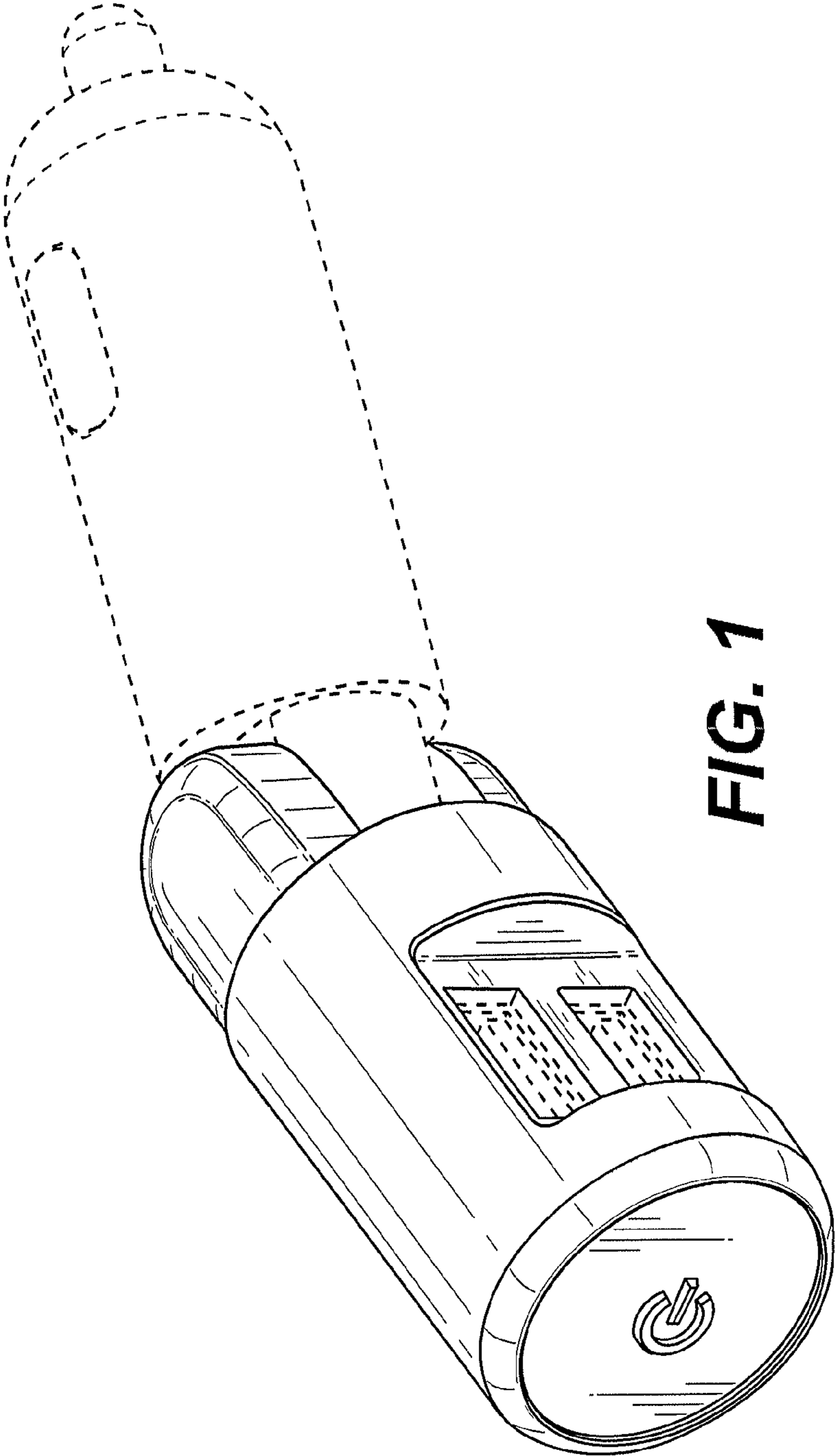
**DESCRIPTION**

FIG. 1 is a perspective view taken from the top, front, and right side of a folding Universal Serial Bus (USB) adapter showing our new design; FIG. 2 is a top view of the folding USB adapter of FIG. 1; FIG. 3 is a bottom view of the folding USB adapter of FIG. 1; FIG. 4 is a right side view of the folding USB adapter of FIG. 1; FIG. 5 is a left side view of the folding USB adapter of FIG. 1; FIG. 6 is a rear elevational view of the folding USB adapter of FIG. 1; and, FIG. 7 is a front elevational view of the folding USB adapter of FIG. 1.

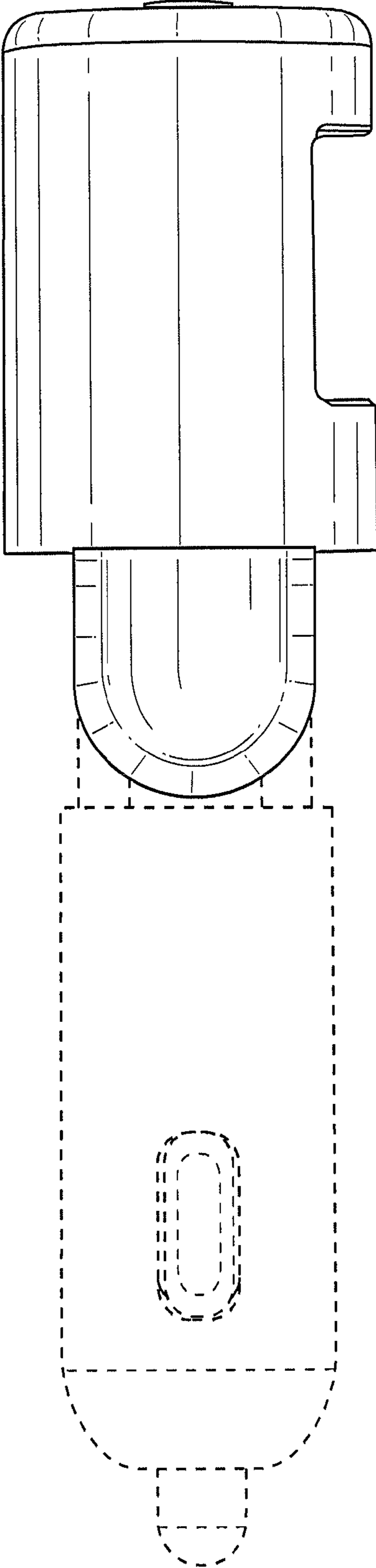
The broken lines are for purposes of illustrating portions of the folding USB adapter that form no part of the claimed design.

**1 Claim, 7 Drawing Sheets**

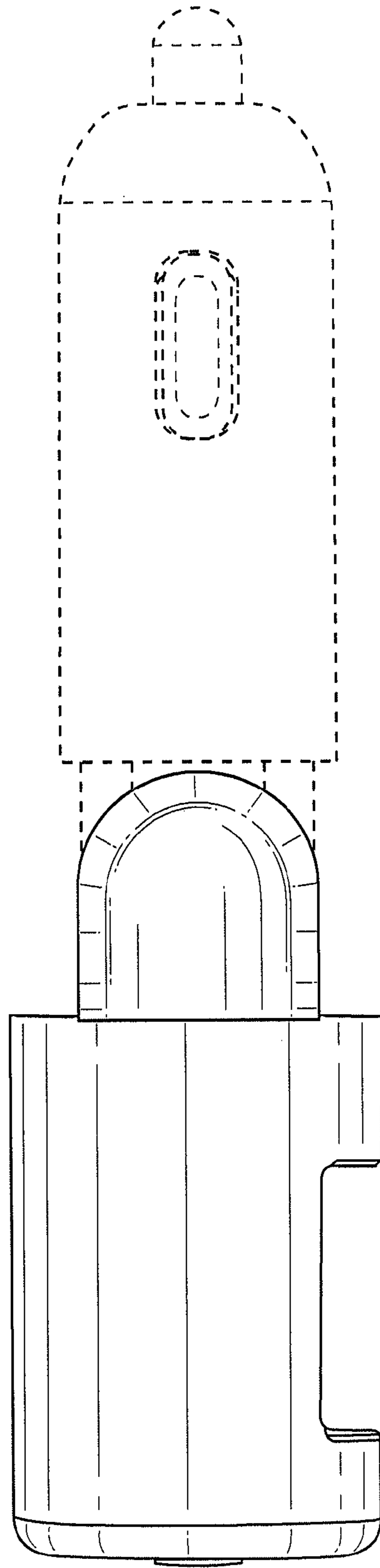




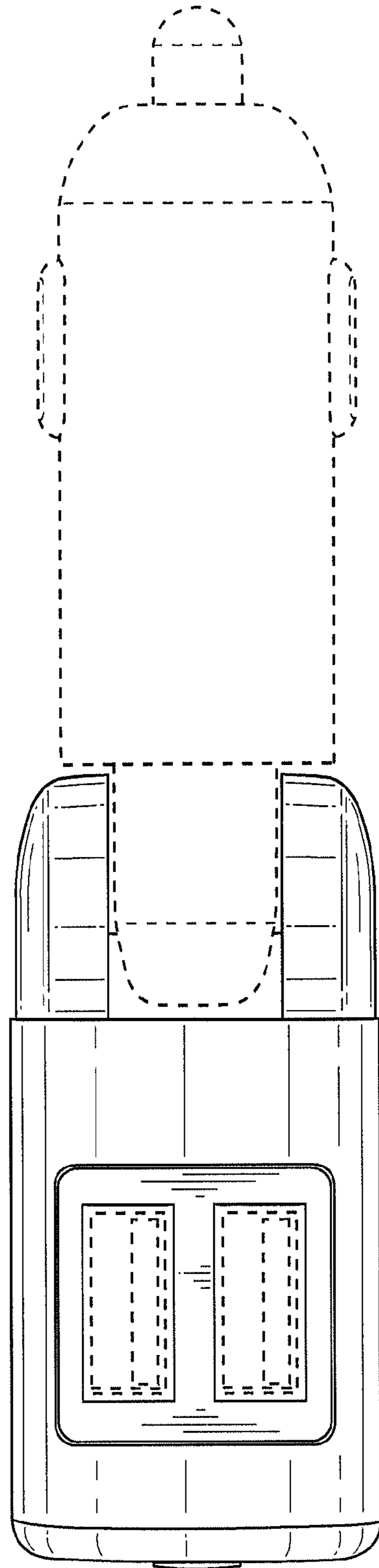
**FIG. 1**



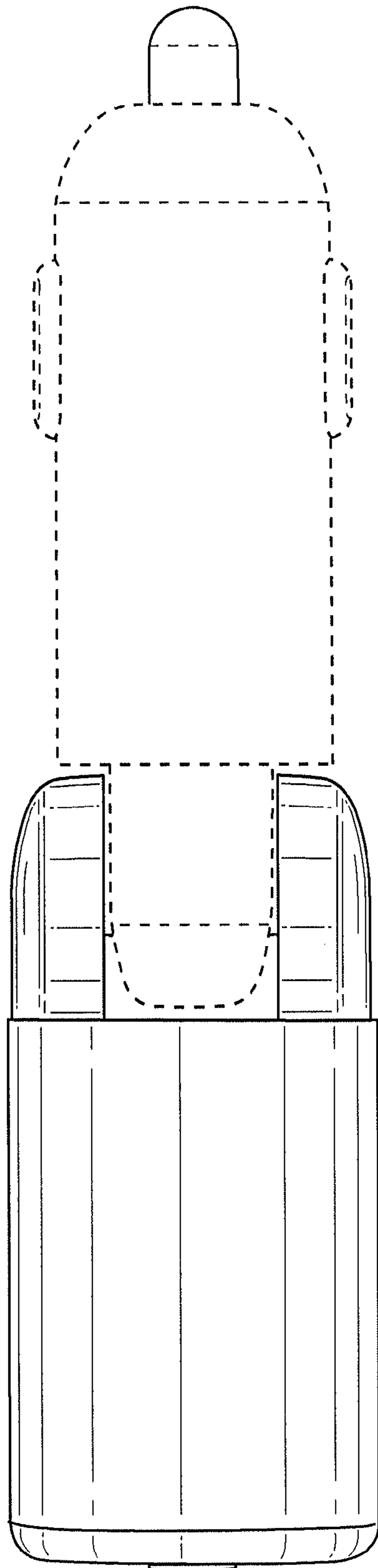
**FIG. 2**



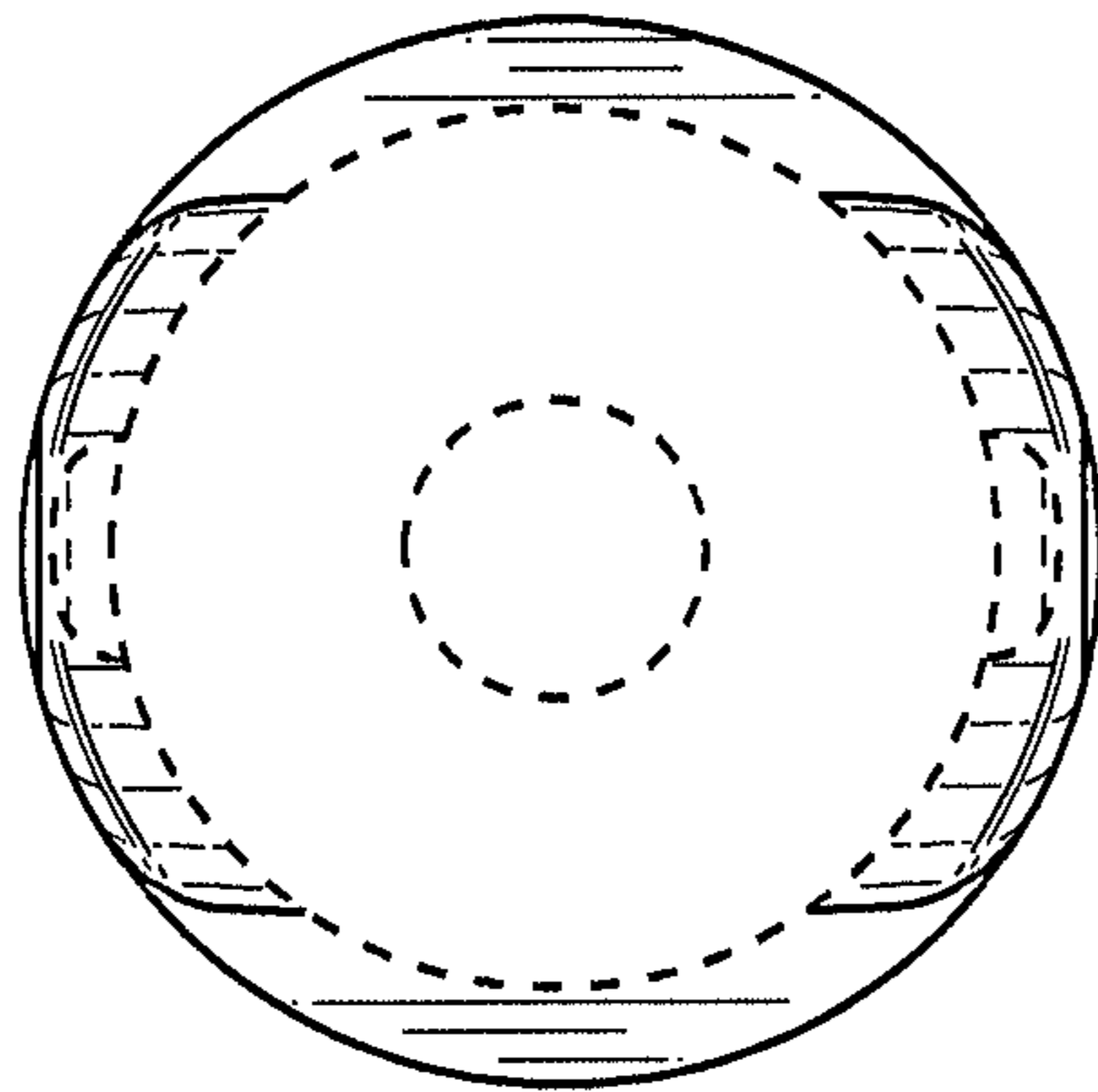
**FIG. 3**



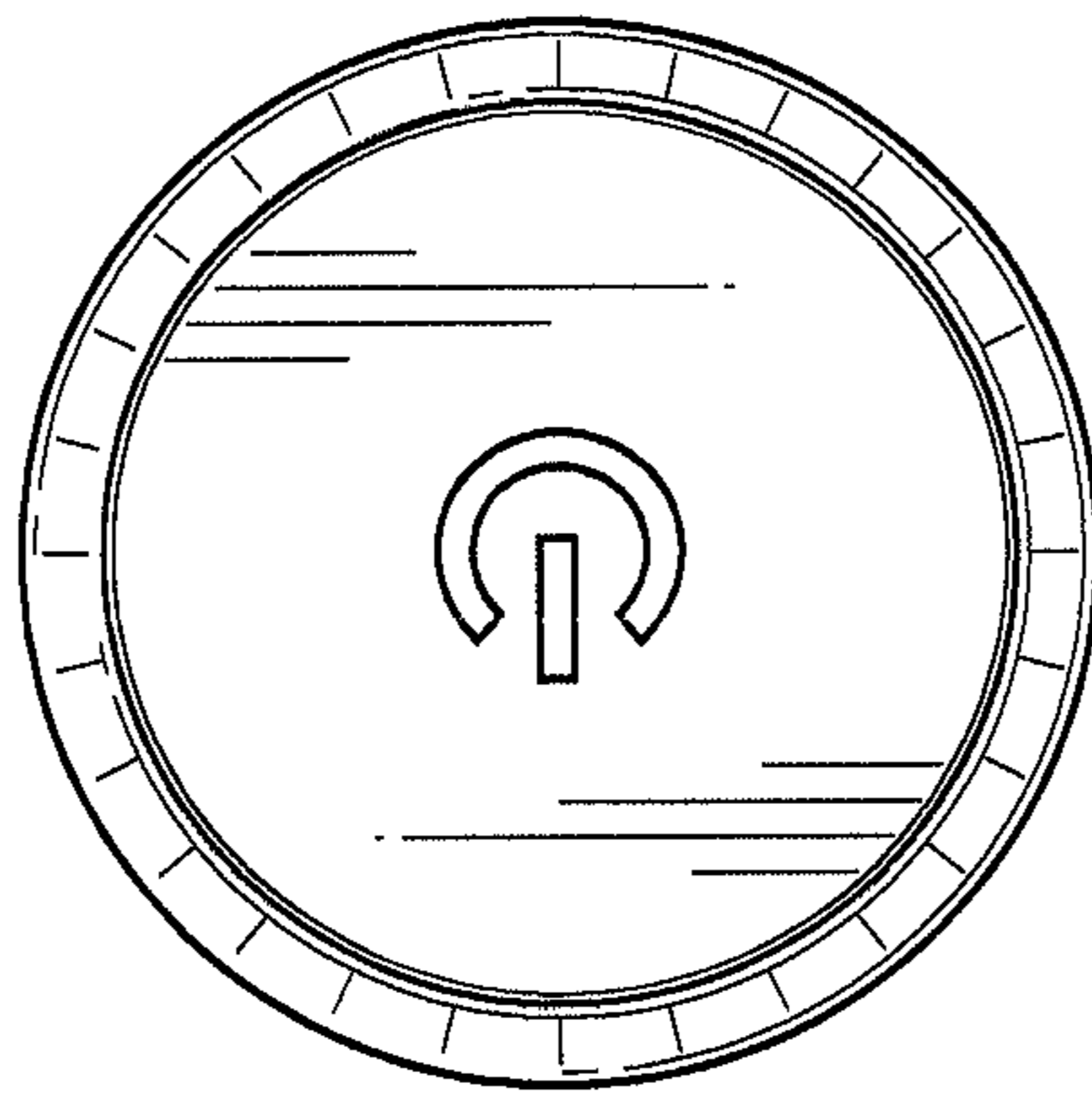
**FIG. 4**



**FIG. 5**



**FIG. 6**



**FIG. 7**