



US00D709890S

(12) **United States Design Patent**  
**Kuroda et al.**

(10) **Patent No.:** **US D709,890 S**  
(45) **Date of Patent:** **\*\* Jul. 29, 2014**

(54) **SCANNER**

(71) Applicants: **Satoshi Kuroda**, Kahoku (JP);  
**Yasuhiko Kitagawa**, Kahoku (JP)

(72) Inventors: **Satoshi Kuroda**, Kahoku (JP);  
**Yasuhiko Kitagawa**, Kahoku (JP)

(73) Assignee: **PFU Limited**, Ishikawa (JP)

(\*\*) Term: **14 Years**

(21) Appl. No.: **29/438,350**

(22) Filed: **Nov. 29, 2012**

(30) **Foreign Application Priority Data**

Jun. 14, 2012 (JP) ..... 2012-014119

(51) **LOC (10) CL.** ..... **14-02**

(52) **U.S. CL.**  
USPC ..... **D14/423**

(58) **Field of Classification Search**  
USPC ..... D14/420-425; D16/232, 229, 235, 221,  
D16/135; D18/36; 353/115, 119, 122,  
353/DIG. 3, DIG. 4; 396/155, 133, 86;  
358/474-498; 348/370, 373, 376, 374,  
348/375; 248/187.1, 593, 276.1, 281.11;  
D26/63, 65, 64, 62, 135, 61, 107, 109,  
D26/51

See application file for complete search history.

(56) **References Cited**

**U.S. PATENT DOCUMENTS**

- D79,072 S \* 7/1929 Green ..... D26/51
- D99,030 S \* 3/1936 Jackson ..... D26/107
- D125,003 S \* 2/1941 Rogers ..... D26/109
- D127,488 S \* 5/1941 Livers ..... D26/109
- D146,116 S \* 12/1946 Masterson ..... D26/63
- D150,404 S \* 8/1948 Coen ..... D26/51
- D150,940 S \* 9/1948 Goebel ..... D26/107
- D151,605 S \* 11/1948 Dolan ..... D26/64

- D162,639 S \* 3/1951 Fiori ..... D26/60
- D164,668 S \* 10/1951 Carrithers ..... D26/107
- D173,535 S \* 11/1954 Mugnai ..... D26/107
- D176,550 S \* 1/1956 Mugnai ..... D26/63
- D188,506 S \* 8/1960 Bobrick ..... D26/65
- D191,851 S \* 11/1961 Lazor ..... D16/135
- D192,645 S \* 4/1962 Bodian ..... D26/65
- D194,995 S \* 4/1963 Hoogesteger et al. .... D16/135
- D207,063 S \* 2/1967 Sovatsky ..... D26/64
- D207,597 S \* 5/1967 Bodian ..... D26/65
- D209,079 S \* 10/1967 Andre ..... D26/107
- D214,191 S \* 5/1969 Rudd ..... D26/51
- D215,480 S \* 10/1969 Froelich et al. .... D26/65
- D216,912 S \* 3/1970 Daito ..... D26/65
- D243,549 S \* 3/1977 Neveux ..... D26/66
- D278,348 S \* 4/1985 Horgan ..... D16/135
- D278,937 S \* 5/1985 Peeler et al. .... D26/65
- D284,087 S \* 6/1986 Haidinger ..... D16/135
- D284,310 S \* 6/1986 Schaffer et al. .... D26/65
- D285,120 S \* 8/1986 Krogsrud ..... D26/65

(Continued)

*Primary Examiner* — Susan Moon Lee

(74) *Attorney, Agent, or Firm* — RatnerPrestia

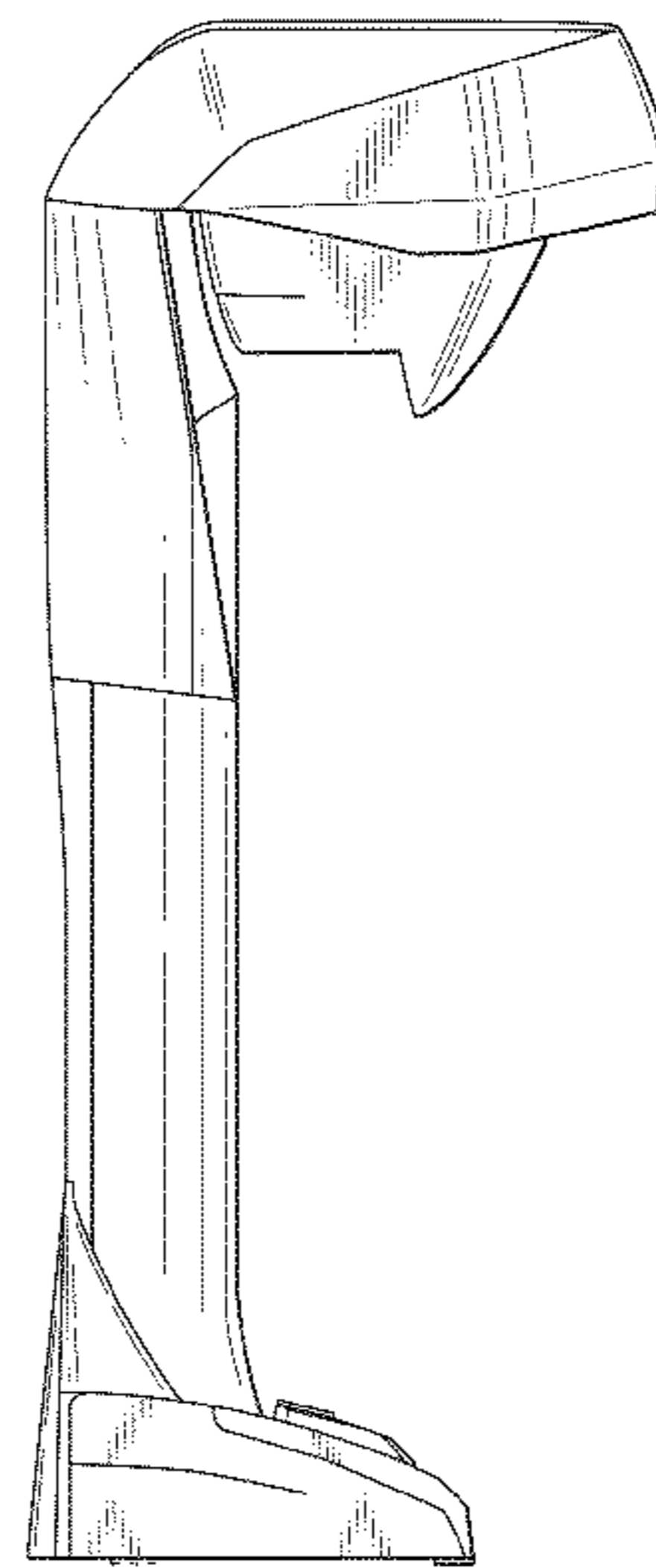
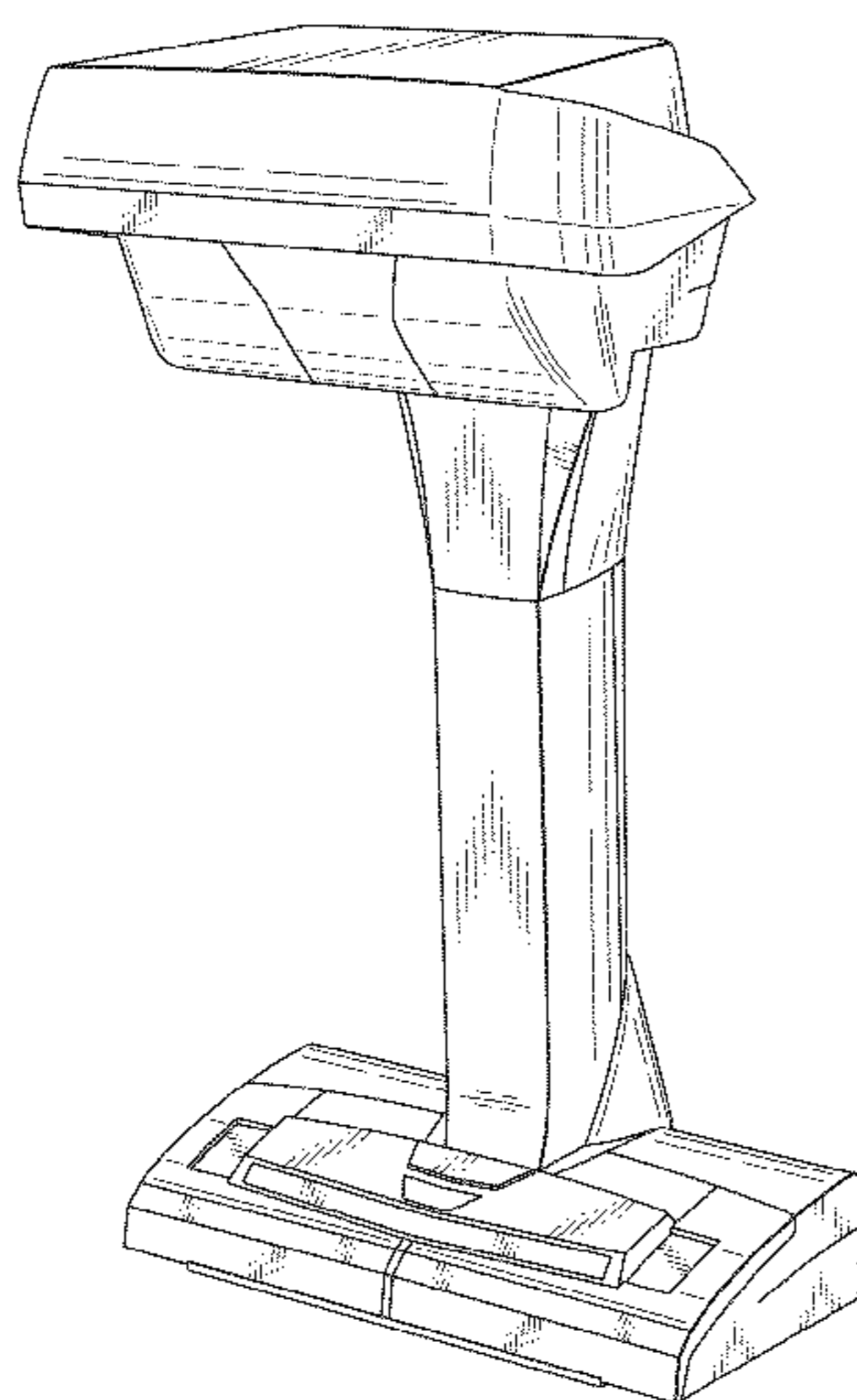
(57) **CLAIM**

The ornamental design for a scanner, as shown and described.

**DESCRIPTION**

FIG. 1 is a front perspective view of a scanner showing our new design;  
 FIG. 2 is a front view thereof;  
 FIG. 3 is a rear view thereof;  
 FIG. 4 is a left side view thereof; the right side view is a mirror image of the left side view;  
 FIG. 5 is a top plan view thereof;  
 FIG. 6 is a bottom plan view thereof;  
 FIG. 7 is a cross-sectional view thereof taken in the direction of arrows 7-7 in FIG. 2; and,  
 FIG. 8 is another perspective view thereof showing the scanner head in an extended position.  
 Broken lines and portions contained within broken lines are not claimed.

**1 Claim, 5 Drawing Sheets**



(56)

## References Cited

## U.S. PATENT DOCUMENTS

|              |    |   |         |                    |       |            |
|--------------|----|---|---------|--------------------|-------|------------|
| D286,082     | S  | * | 10/1986 | Shwisha            | ..... | D26/61     |
| D293,135     | S  | * | 12/1987 | Medema et al.      | ..... | D26/61     |
| D293,940     | S  | * | 1/1988  | Lasker             | ..... | D26/65     |
| D296,328     | S  | * | 6/1988  | Austin et al.      | ..... | D14/423    |
| D301,633     | S  | * | 6/1989  | Shwisha            | ..... | D26/63     |
| D302,683     | S  | * | 8/1989  | Iwasaki et al.     | ..... | D14/423    |
| D304,242     | S  | * | 10/1989 | Strater            | ..... | D26/65     |
| D305,228     | S  | * | 12/1989 | Allgeier           | ..... | D14/423    |
| D309,661     | S  | * | 7/1990  | Shwisha            | ..... | D26/51     |
| 4,958,913    | A  | * | 9/1990  | Schaffer           | ..... | 359/819    |
| D319,889     | S  | * | 9/1991  | Lu                 | ..... | D26/51     |
| D321,951     | S  | * | 11/1991 | Dieperink          | ..... | D26/107    |
| D325,027     | S  | * | 3/1992  | Wallace et al.     | ..... | D14/423    |
| D325,102     | S  | * | 3/1992  | Ramond             | ..... | D26/62     |
| D326,334     | S  | * | 5/1992  | Meyer et al.       | ..... | D26/65     |
| D326,335     | S  | * | 5/1992  | Meyer et al.       | ..... | D26/65     |
| D328,358     | S  | * | 7/1992  | Tsang              | ..... | D26/62     |
| D328,909     | S  | * | 8/1992  | Sakurai            | ..... | D16/135    |
| D331,987     | S  | * | 12/1992 | Dieperink et al.   | ..... | D26/109    |
| D334,759     | S  | * | 4/1993  | Meyer et al.       | ..... | D16/135    |
| D337,842     | S  | * | 7/1993  | Yuen               | ..... | D26/65     |
| D339,649     | S  | * | 9/1993  | Klossner           | ..... | D26/63     |
| D341,672     | S  | * | 11/1993 | Yuen               | ..... | D26/65     |
| D341,673     | S  | * | 11/1993 | Yuen               | ..... | D26/65     |
| D348,742     | S  | * | 7/1994  | Rorke et al.       | ..... | D26/51     |
| D356,390     | S  | * | 3/1995  | Gismondi et al.    | ..... | D26/107    |
| D356,876     | S  | * | 3/1995  | Waldmann           | ..... | D26/107    |
| 5,416,609    | A  | * | 5/1995  | Matsuda et al.     | ..... | 358/474    |
| D369,353     | S  | * | 4/1996  | Hofmann-Igl        | ..... | D14/423    |
| D377,990     | S  | * | 2/1997  | Nakano             | ..... | D26/65     |
| D377,993     | S  | * | 2/1997  | Herst et al.       | ..... | D26/107    |
| 5,616,914    | A  | * | 4/1997  | Matsuda            | ..... | 250/208.1  |
| D386,157     | S  | * | 11/1997 | Hasegawa           | ..... | D14/423    |
| D388,107     | S  | * | 12/1997 | Huckins            | ..... | D16/208    |
| D394,727     | S  | * | 5/1998  | Larkin             | ..... | D26/109    |
| 5,805,272    | A  | * | 9/1998  | Nozawa et al.      | ..... | 355/25     |
| 5,886,342    | A  | * | 3/1999  | Matsui             | ..... | 250/208.1  |
| D408,092     | S  | * | 4/1999  | Schaak             | ..... | D26/62     |
| D411,520     | S  | * | 6/1999  | Iwakawa et al.     | ..... | D14/423    |
| D411,833     | S  | * | 7/1999  | Iwakawa et al.     | ..... | D14/423    |
| 5,940,128    | A  | * | 8/1999  | Morimura           | ..... | 348/240.3  |
| 5,940,544    | A  | * | 8/1999  | Nako               | ..... | 382/293    |
| D414,578     | S  | * | 9/1999  | Chen et al.        | ..... | D26/65     |
| 5,969,795    | A  | * | 10/1999 | Honda              | ..... | 355/25     |
| 5,978,102    | A  | * | 11/1999 | Matsuda            | ..... | 358/474    |
| 5,995,245    | A  | * | 11/1999 | Moro               | ..... | 358/474    |
| D419,170     | S  | * | 1/2000  | Ono et al.         | ..... | D16/208    |
| 6,124,950    | A  | * | 9/2000  | Honda              | ..... | 358/474    |
| D443,093     | S  | * | 5/2001  | Chiang             | ..... | D26/65     |
| 6,325,288    | B1 | * | 12/2001 | Spitz              | ..... | 235/462.12 |
| 6,345,763    | B1 | * | 2/2002  | Matsuda et al.     | ..... | 235/459    |
| D476,346     | S  | * | 6/2003  | Fujii              | ..... | D16/208    |
| D478,682     | S  | * | 8/2003  | Abry               | ..... | D26/65     |
| 6,603,582    | B1 | * | 8/2003  | Cotte et al.       | ..... | 358/474    |
| 6,771,394    | B1 | * | 8/2004  | Nakanishi et al.   | ..... | 358/474    |
| 6,963,428    | B1 | * | 11/2005 | Gann               | ..... | 358/474    |
| 6,965,460    | B1 | * | 11/2005 | Gann et al.        | ..... | 358/471    |
| 7,001,024    | B2 | * | 2/2006  | Kitaguchi et al.   | ..... | 353/70     |
| D522,159     | S  | * | 5/2006  | Chan               | ..... | D26/63     |
| D544,008     | S  | * | 6/2007  | Stewart            | ..... | D16/135    |
| D559,431     | S  | * | 1/2008  | Mota Veiga et al.  | ..... | D26/118    |
| D564,117     | S  | * | 3/2008  | Lippert            | ..... | D26/61     |
| D581,077     | S  | * | 11/2008 | Levine             | ..... | D26/62     |
| D581,570     | S  | * | 11/2008 | Levine             | ..... | D26/62     |
| D600,385     | S  | * | 9/2009  | Lippert            | ..... | D26/62     |
| 7,751,092    | B2 | * | 7/2010  | Sambongi et al.    | ..... | 358/474    |
| D621,981     | S  | * | 8/2010  | McAtamney et al.   | ..... | D26/61     |
| D625,450     | S  | * | 10/2010 | Rosenkrantz et al. | ..... | D26/61     |
| 8,137,010    | B2 | * | 3/2012  | Yoshida et al.     | ..... | 396/428    |
| D673,155     | S  |   | 12/2012 | Sugitani et al.    | ..... |            |
| D673,565     | S  |   | 1/2013  | Sugitani et al.    | ..... |            |
| D673,566     | S  |   | 1/2013  | Sugitani et al.    | ..... |            |
| D685,372     | S  | * | 7/2013  | Booppanon et al.   | ..... | D14/423    |
| 8,503,045    | B2 | * | 8/2013  | Kubo et al.        | ..... | 358/474    |
| 8,559,071    | B2 | * | 10/2013 | Kawata             | ..... | 358/474    |
| D700,609     | S  | * | 3/2014  | Sugitani et al.    | ..... | D14/423    |
| 2011/0299136 | A1 | * | 12/2011 | Kubo et al.        | ..... | 358/474    |
| 2012/0320432 | A1 | * | 12/2012 | Kimura             | ..... | 358/474    |
| 2013/0083176 | A1 | * | 4/2013  | Kasahara           | ..... | 348/61     |
| 2013/0335786 | A1 | * | 12/2013 | Kimura             | ..... | 358/474    |
| 2013/0335787 | A1 | * | 12/2013 | Kawata             | ..... | 358/474    |

\* cited by examiner



Fig. 1

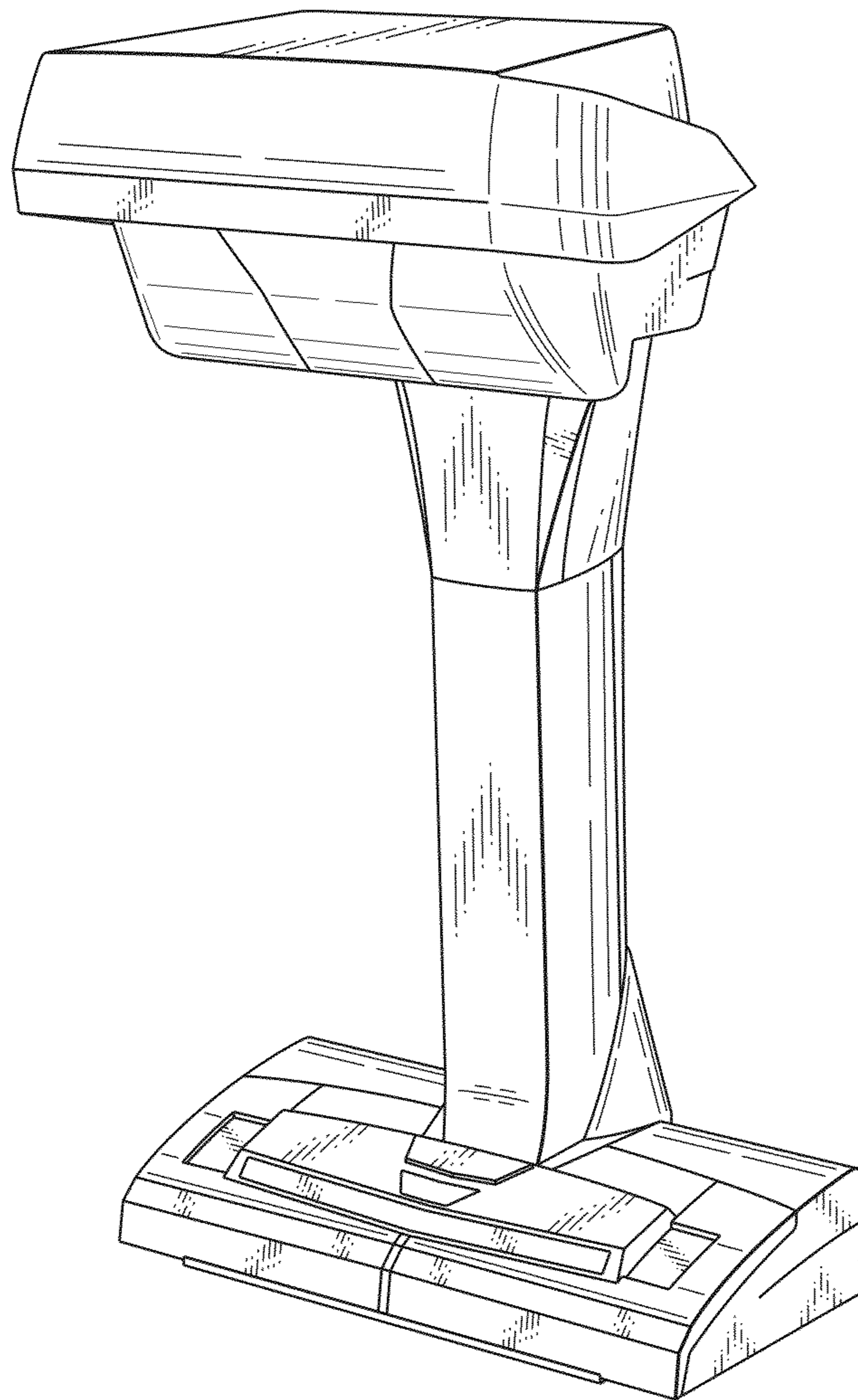


Fig.2

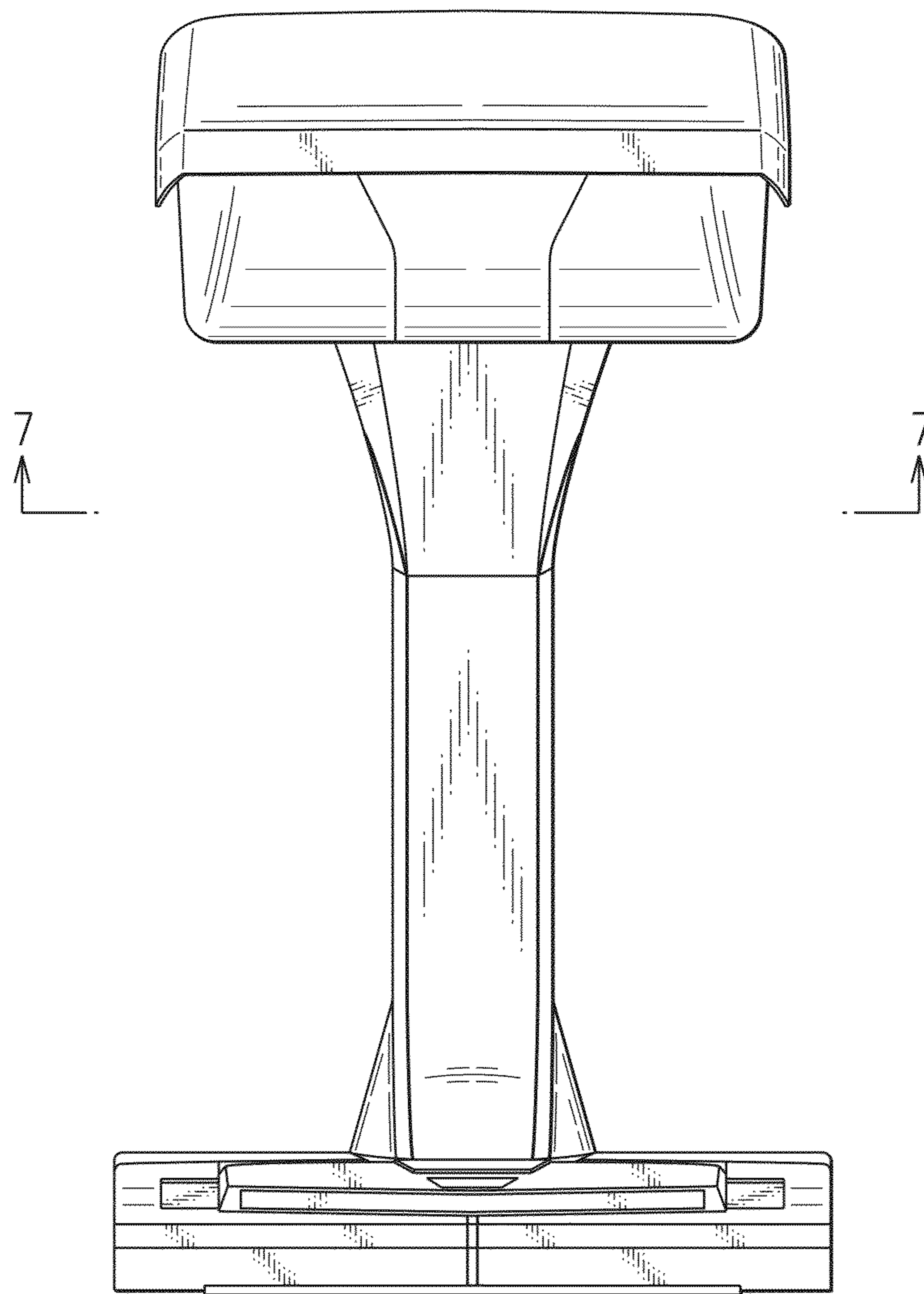


Fig.3

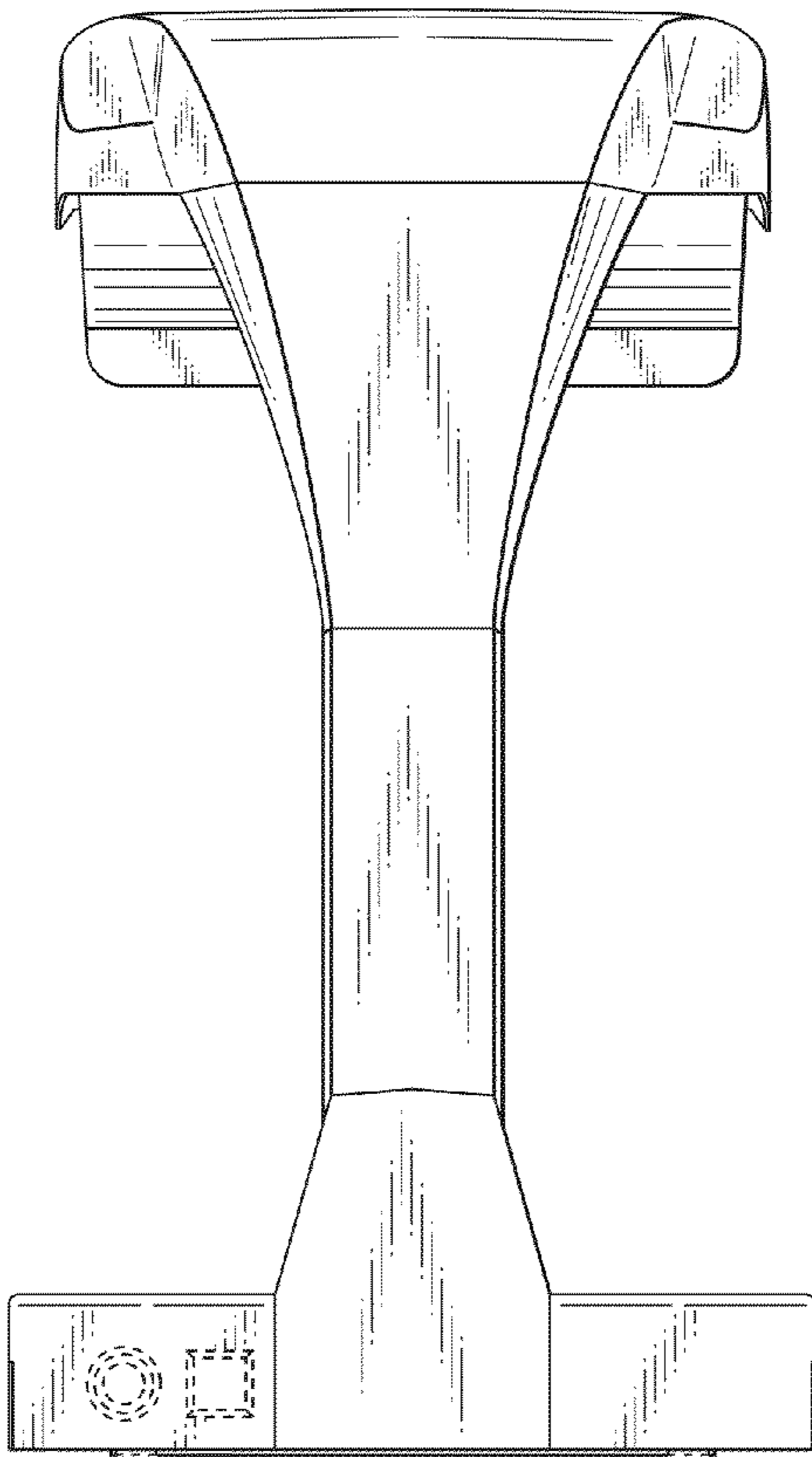


Fig.4

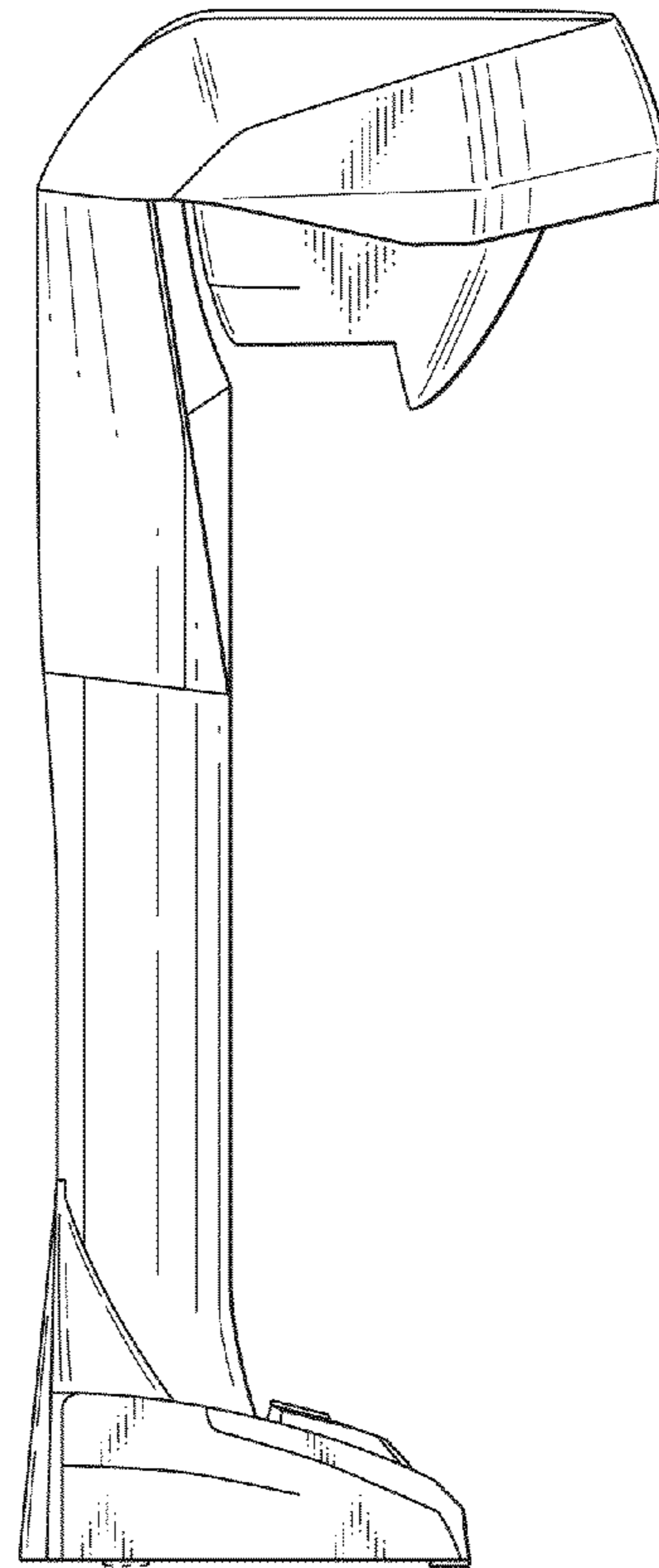


Fig.5

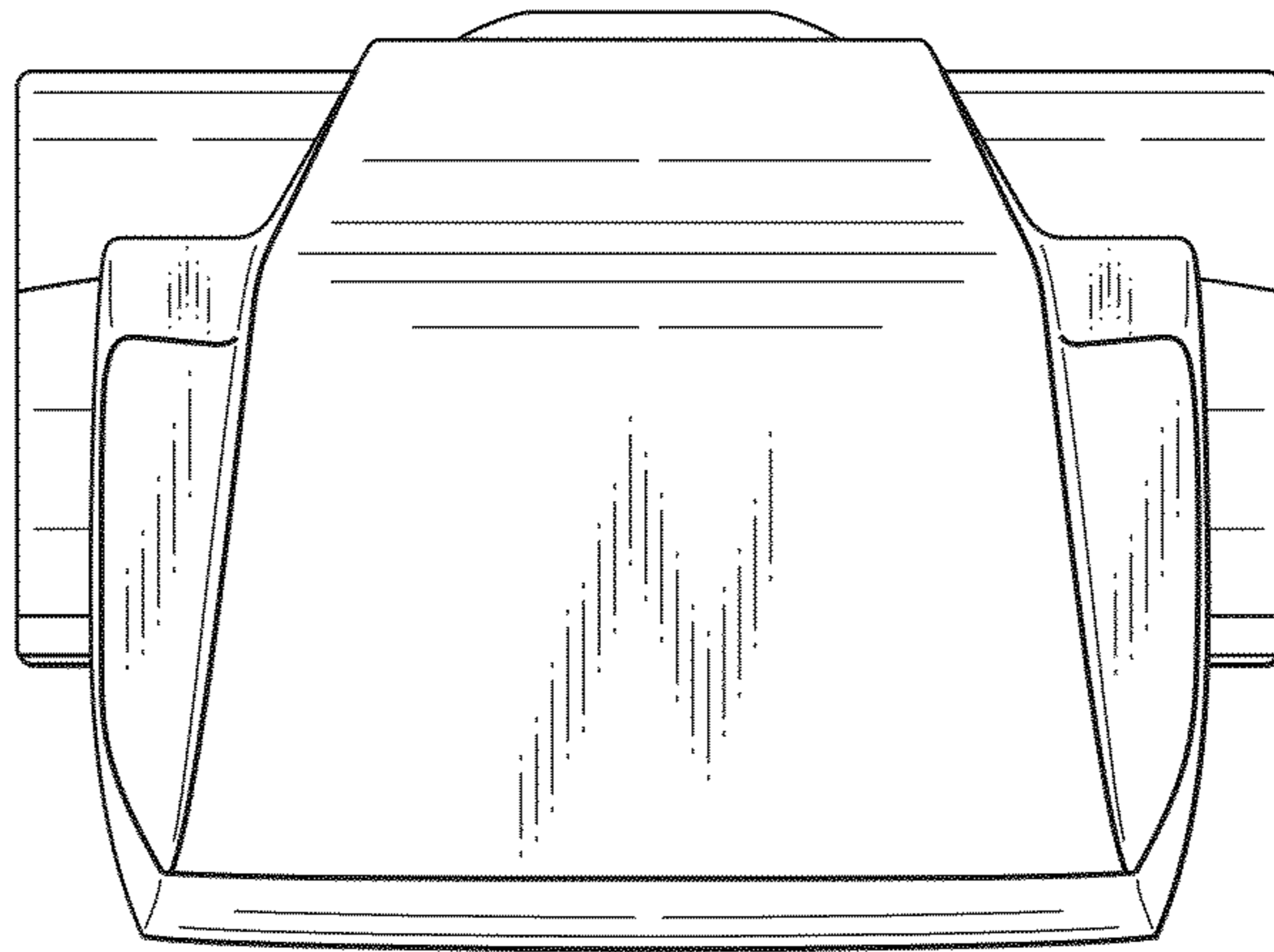


Fig.6

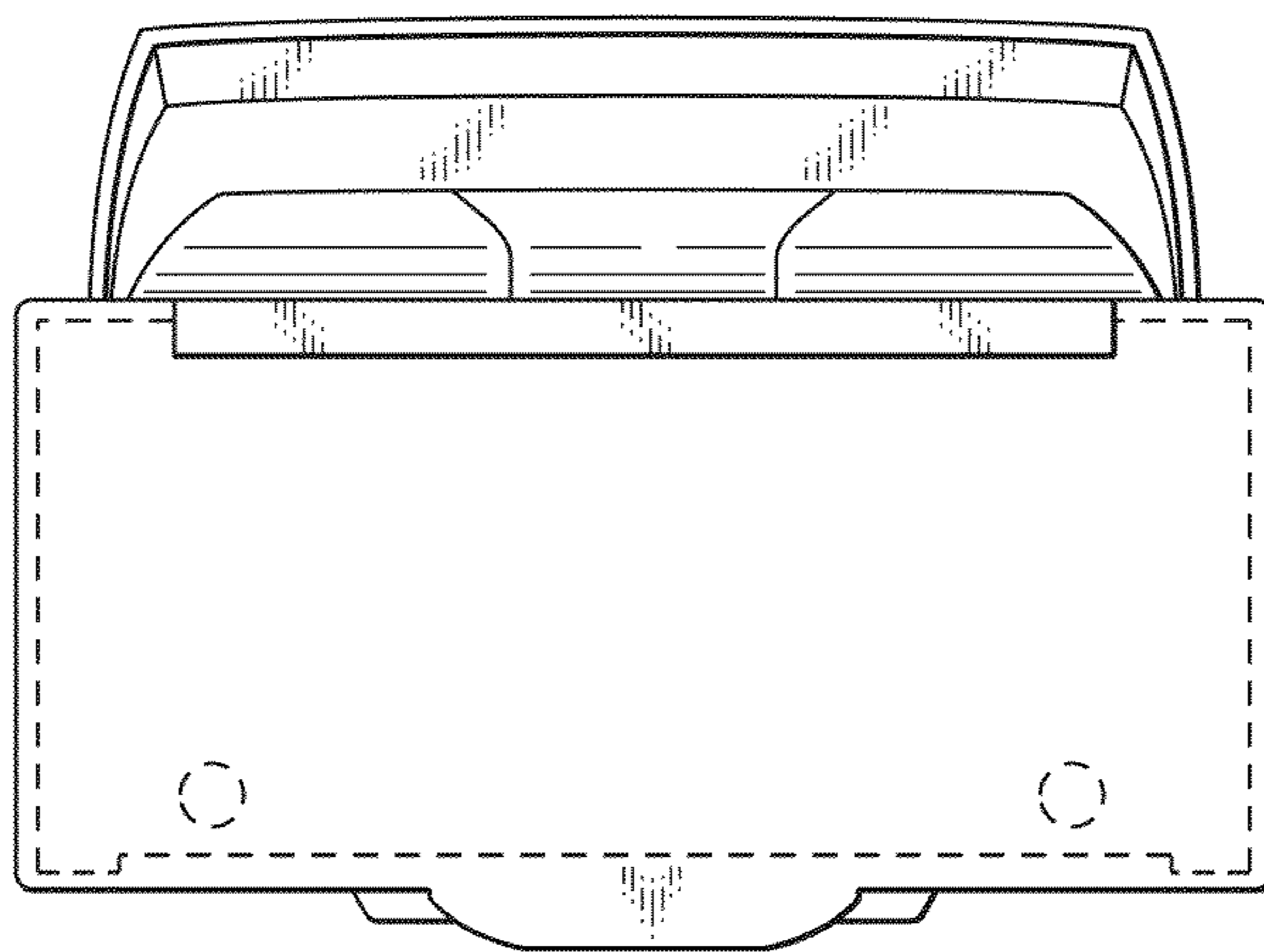


Fig.7

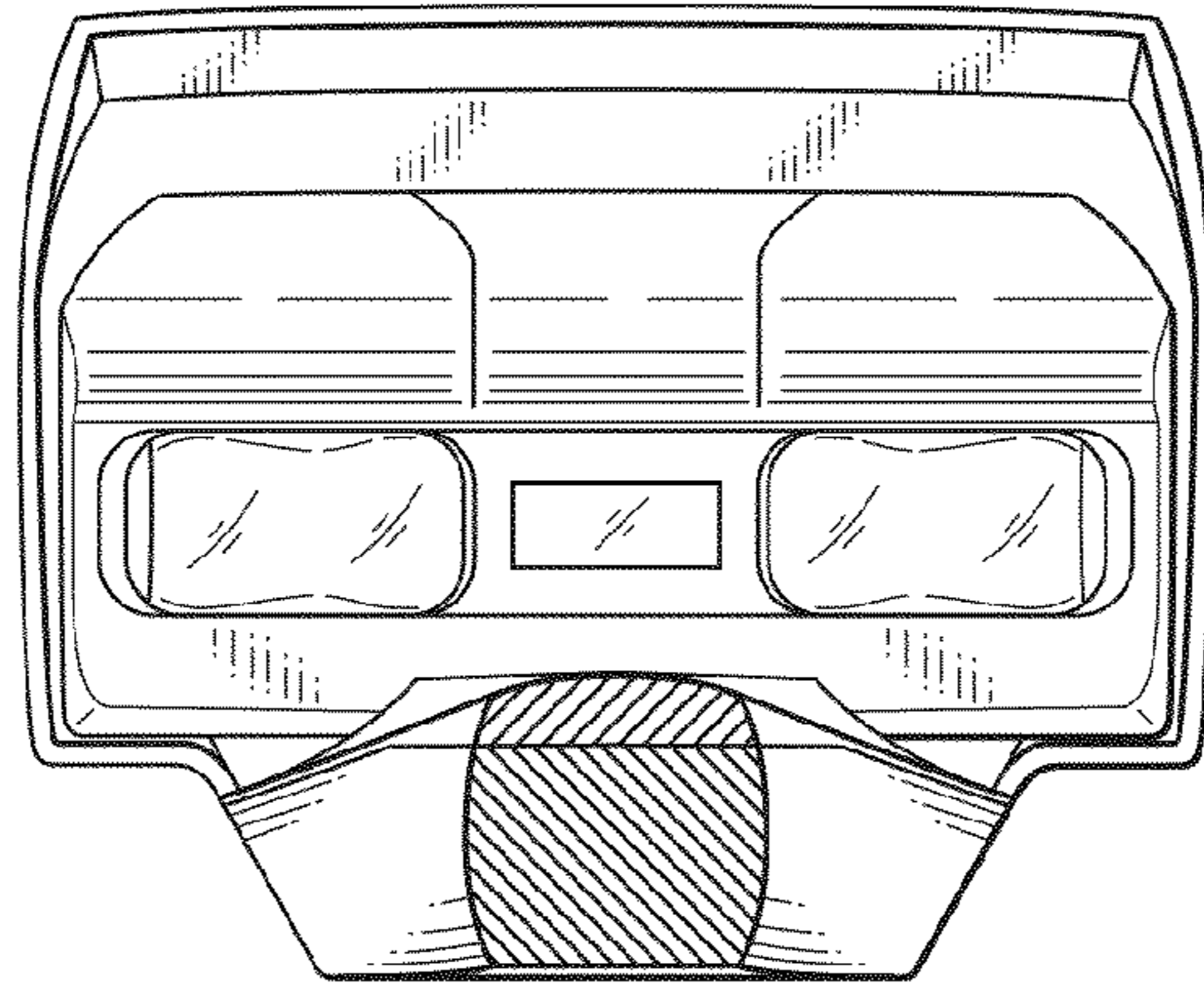


Fig.8

