



US00D709887S

(12) **United States Design Patent**
Yagi

(10) **Patent No.:** **US D709,887 S**
(45) **Date of Patent:** **** Jul. 29, 2014**

(54) **ELECTRONIC PEN**
(71) Applicant: **Panasonic Corporation**, Kadoma (JP)
(72) Inventor: **Ryoichi Yagi**, Osaka (JP)
(73) Assignee: **Panasonic Corporation**, Osaka (JP)

D680,114 S * 4/2013 Hashi D14/411
D686,618 S * 7/2013 Wilson et al. D14/411
D687,830 S * 8/2013 Ishii D14/411
D691,137 S * 10/2013 Yeon et al. D14/411
D695,741 S * 12/2013 Wang D14/411
D704,188 S * 5/2014 Leung et al. D14/411
D704,710 S * 5/2014 Chen D14/411
D705,780 S * 5/2014 Nishizawa D14/411

(**) Term: **14 Years**
(21) Appl. No.: **29/482,061**

FOREIGN PATENT DOCUMENTS

JP D1460718 S 2/2013
JP D1475958 S 8/2013

(22) Filed: **Feb. 13, 2014**

* cited by examiner

(30) **Foreign Application Priority Data**

Aug. 29, 2013 (JP) 2013-019857

Primary Examiner — Austin Murphy

(74) *Attorney, Agent, or Firm* — Brinks Gilson & Lione

(51) **LOC (10) Cl.** **14-02**

(57) **CLAIM**

(52) **U.S. Cl.**
USPC **D14/411**

I claim the ornamental design for an electronic pen, as shown and described.

(58) **Field of Classification Search**
CPC G06F 3/016; G06F 3/033; G06F 3/0317;
G06F 3/03545; G06F 3/041; G06K 9/222
USPC D8/61; D14/411; D19/35, 36, 41–51,
D19/54–58; 401/55, 99, 100, 104–107, 196,
401/197, 202, 208, 209, 213, 192, 195,
401/243; 708/107; 345/179, 173;
178/19.01; 700/94
See application file for complete search history.

DESCRIPTION

FIG. 1 is a top perspective view of an electronic pen of the present invention;
FIG. 2 is a first side view thereof;
FIG. 3 is a second side view thereof;
FIG. 4 is a front view thereof;
FIG. 5 is a rear view thereof;
FIG. 6 is a top view thereof; and,
FIG. 7 is a bottom view thereof.
The broken lines shown represent unclaimed subject matter and form no part of the claimed design.

(56) **References Cited**
U.S. PATENT DOCUMENTS

D670,699 S * 11/2012 Sato D14/411
D675,621 S * 2/2013 Fletcher et al. D14/411

1 Claim, 7 Drawing Sheets

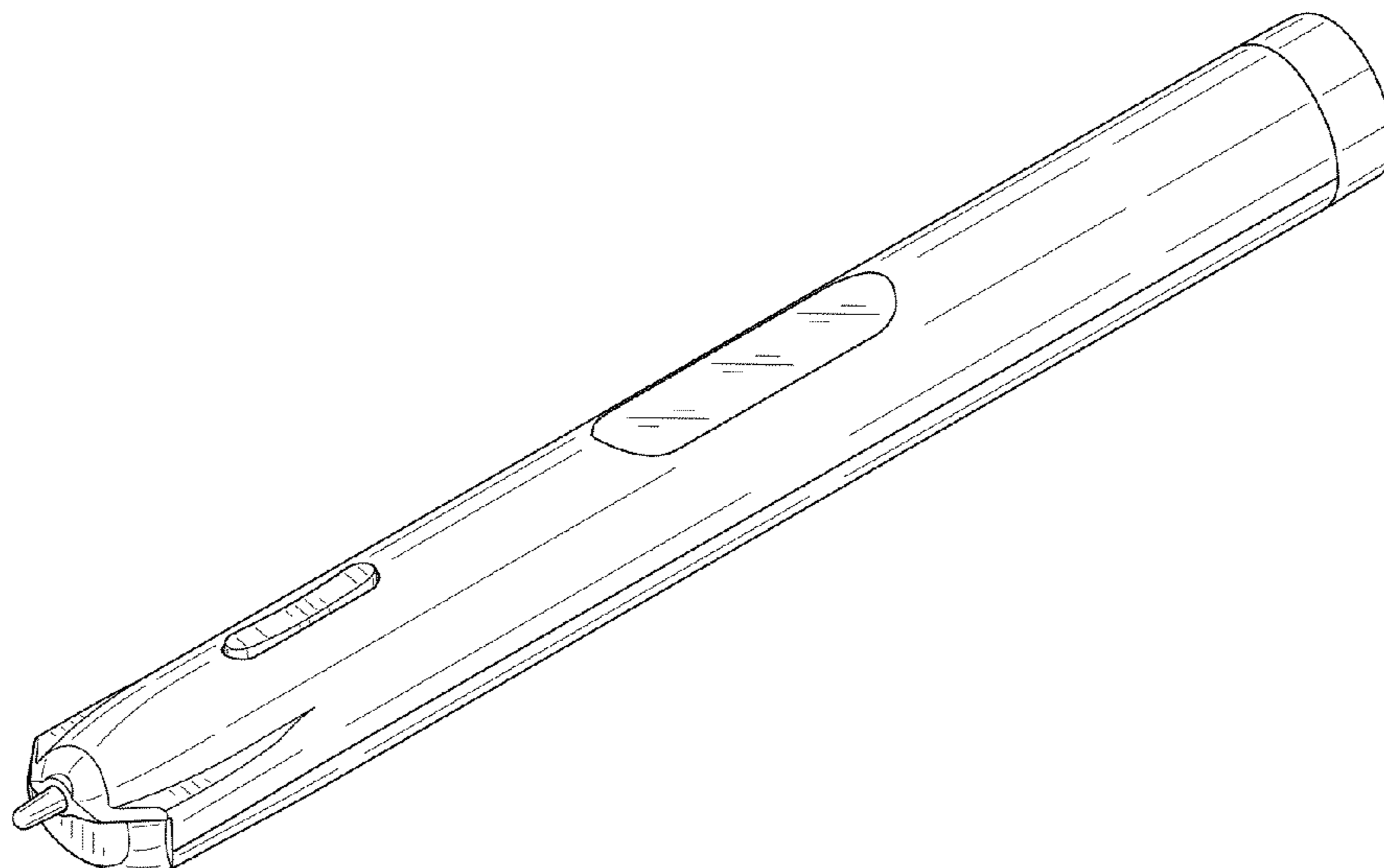


FIG.1

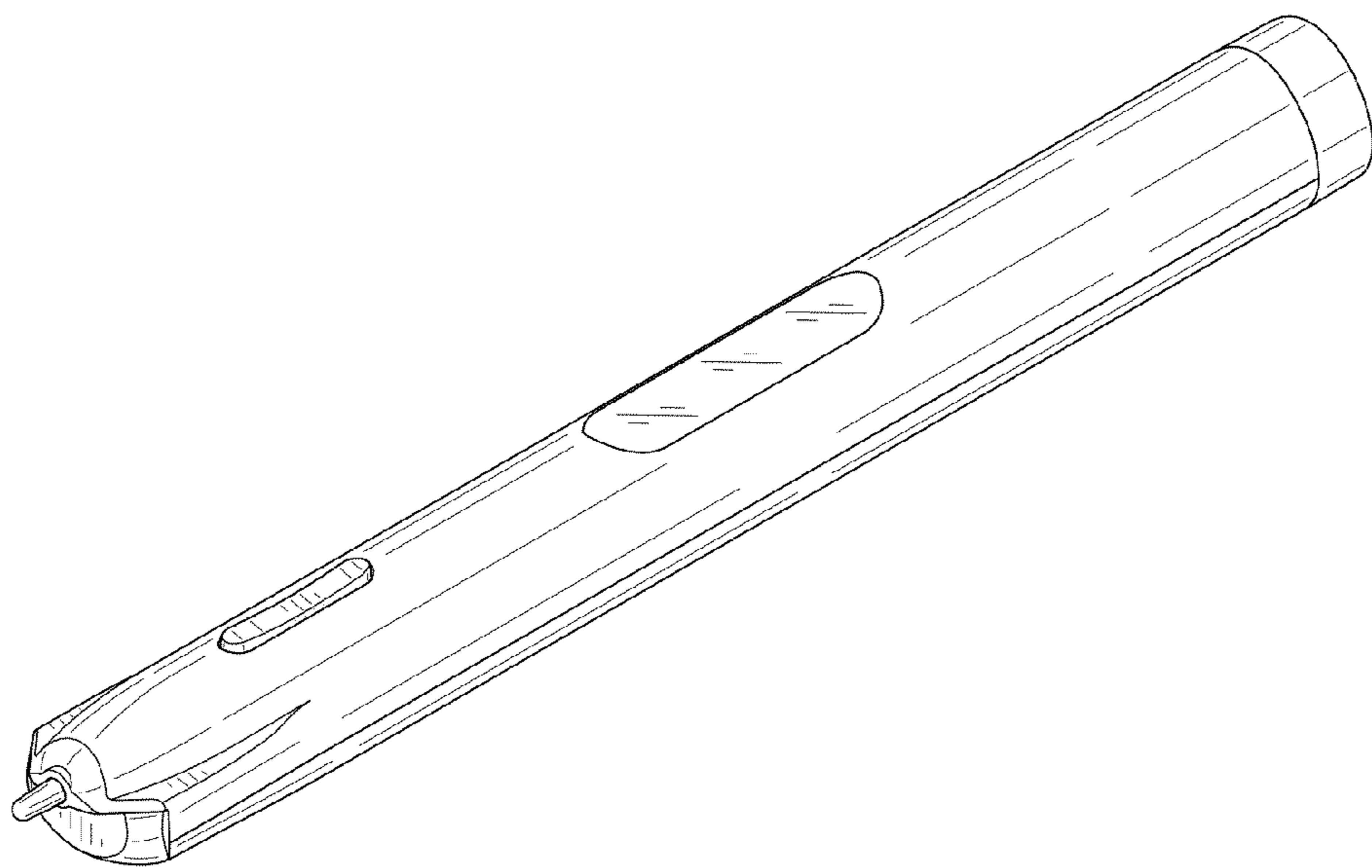


FIG.2

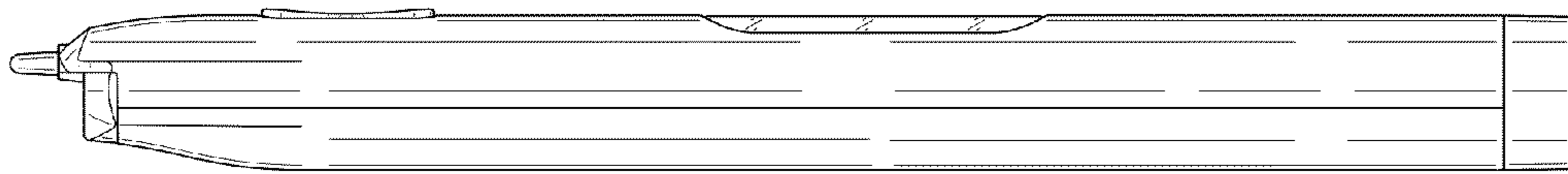


FIG.3

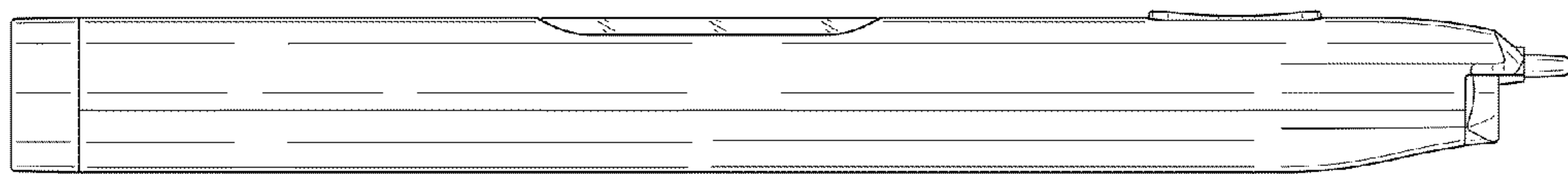


FIG.4

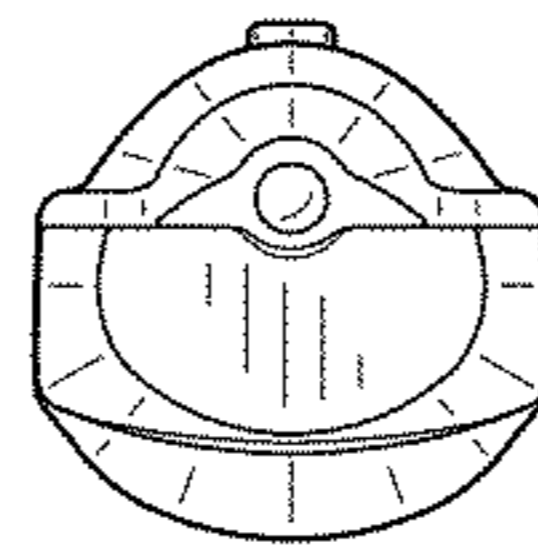


FIG.5

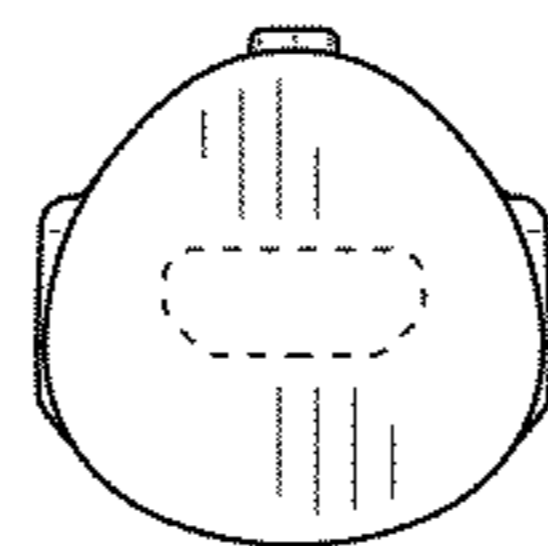


FIG.6

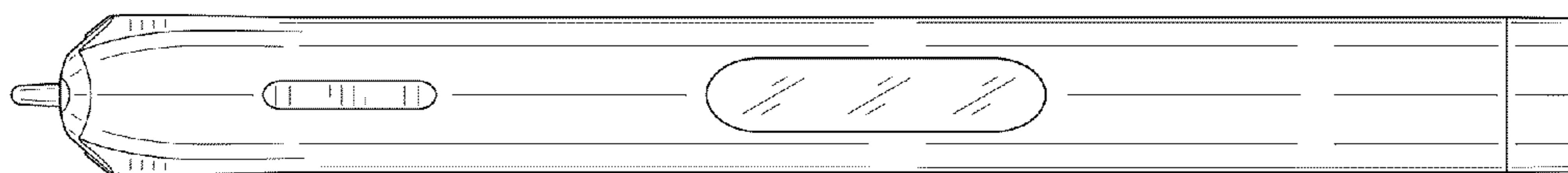


FIG. 7

