



US00D709886S

(12) **United States Design Patent**
Lin

(10) **Patent No.:** **US D709,886 S**
(45) **Date of Patent:** **** Jul. 29, 2014**

(54) **PASSIVE STYLUS**

(71) Applicant: **Chia-Ching Lin**, Taipei (TW)

(72) Inventor: **Chia-Ching Lin**, Taipei (TW)

(**) Term: **14 Years**

(21) Appl. No.: **29/468,348**

(22) Filed: **Sep. 30, 2013**

(51) **LOC (10) Cl.** **14-02**

(52) **U.S. Cl.**
USPC **D14/411**

(58) **Field of Classification Search**
USPC D8/61; D14/411; D19/35, 36, 41-51,
D19/54-58; 401/55, 99, 100, 104-107, 196,
401/197, 202, 208, 209, 213, 192, 195,
401/243; 708/107; 345/179, 173;
178/19.01; 700/94
See application file for complete search history.

(56) **References Cited**

U.S. PATENT DOCUMENTS

1,974,667	A *	9/1934	Solinger	401/52
6,505,984	B2 *	1/2003	Smith et al.	401/52
D500,799	S *	1/2005	Olson	D10/78
7,001,092	B1 *	2/2006	Varughese	401/88
7,377,709	B2 *	5/2008	Butler	401/195
D619,580	S *	7/2010	Nakayama et al.	D14/411
D634,747	S *	3/2011	Wong et al.	D14/411
D662,097	S *	6/2012	Lin	D14/411

D675,621	S *	2/2013	Fletcher et al.	D14/411
D679,708	S *	4/2013	Li	D14/411
D684,579	S *	6/2013	Chen	D14/411
D694,757	S *	12/2013	Wu	D14/411
D695,741	S *	12/2013	Wang	D14/411
2009/0142126	A1 *	6/2009	Dickover et al.	401/131

* cited by examiner

Primary Examiner — Austin Murphy

(74) *Attorney, Agent, or Firm* — Li & Cai Intellectual Property (USA) Office

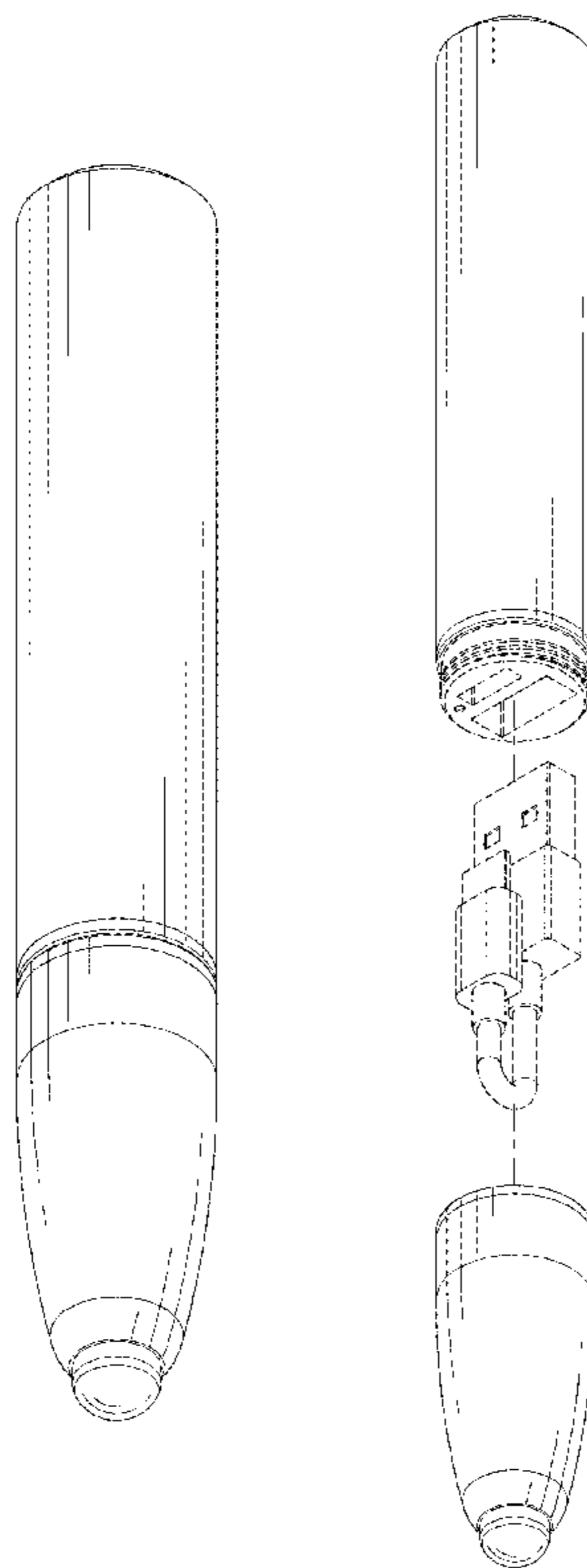
(57) **CLAIM**

The ornamental design for a “passive stylus,” as shown and described.

DESCRIPTION

FIG. 1 is a perspective view of a passive stylus showing our new design;
FIG. 2 is a front view thereof;
FIG. 3 is a rear view thereof;
FIG. 4 is a left side view thereof;
FIG. 5 is a right side view thereof;
FIG. 6 is a top view thereof;
FIG. 7 is a bottom view thereof; and,
FIG. 8 is a perspective, view exploded thereof.
The portions of the passive stylus shown in broken lines form no part of the claimed design.

1 Claim, 5 Drawing Sheets



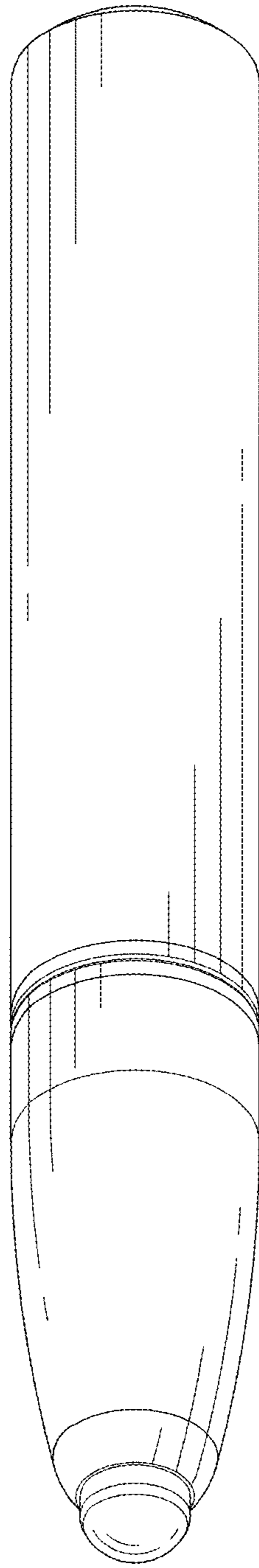


FIG.1

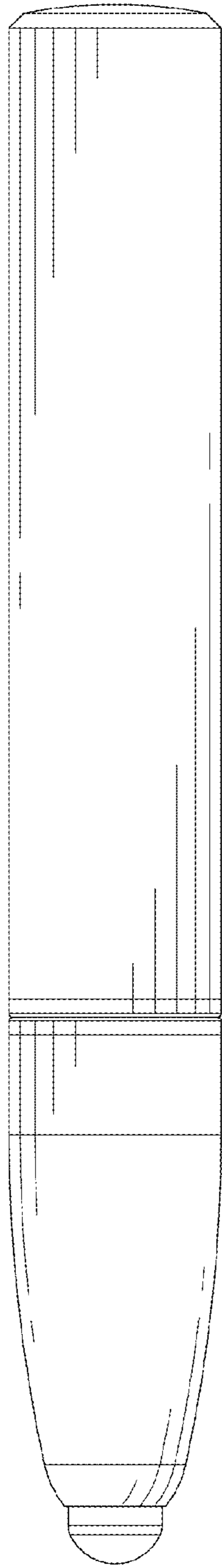


FIG. 2

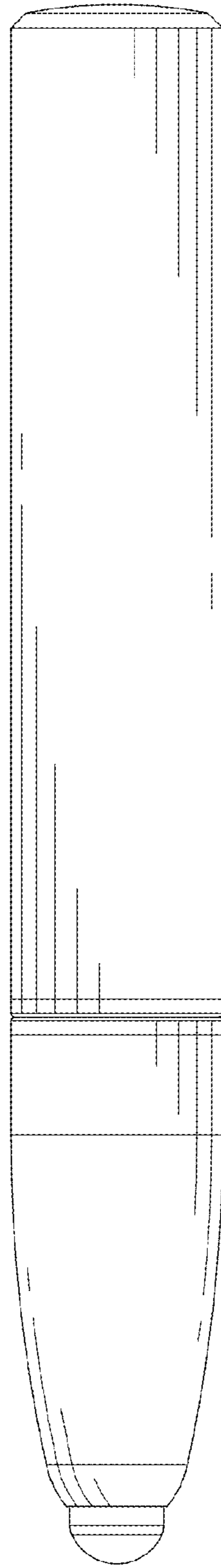


FIG. 3

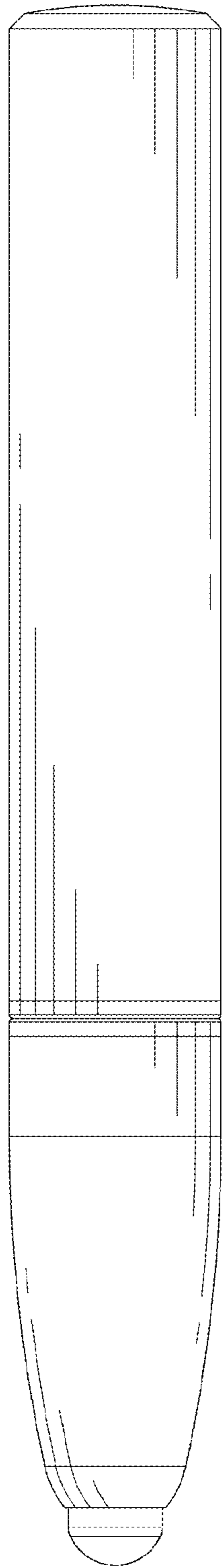


FIG. 4

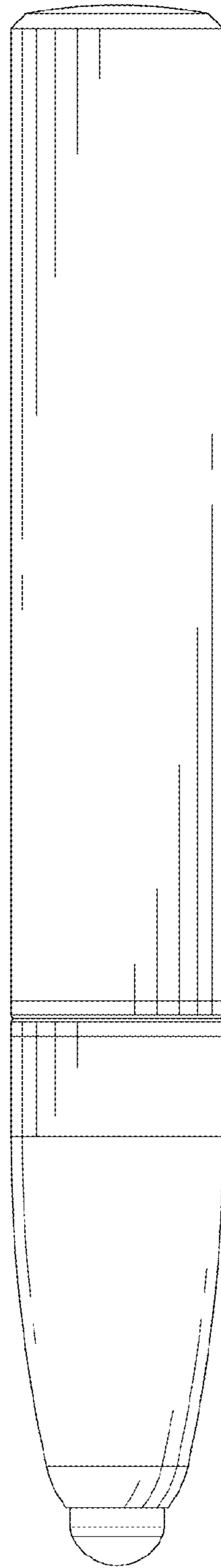


FIG. 5

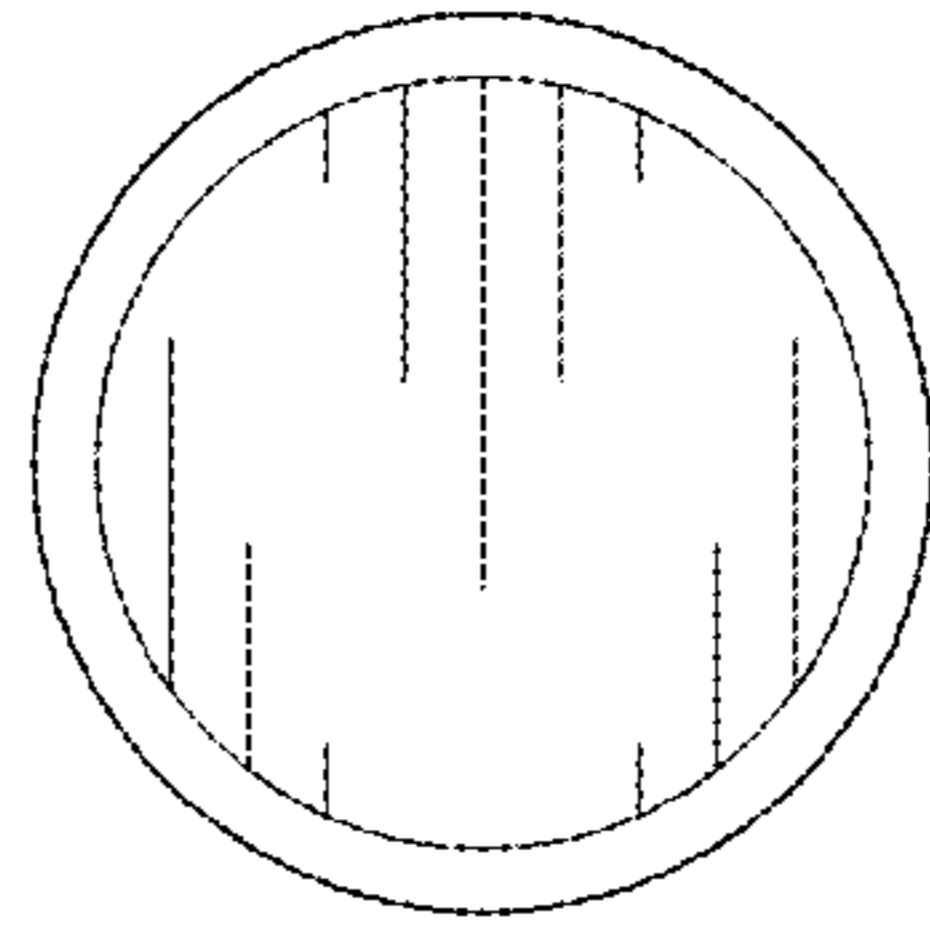


FIG.6

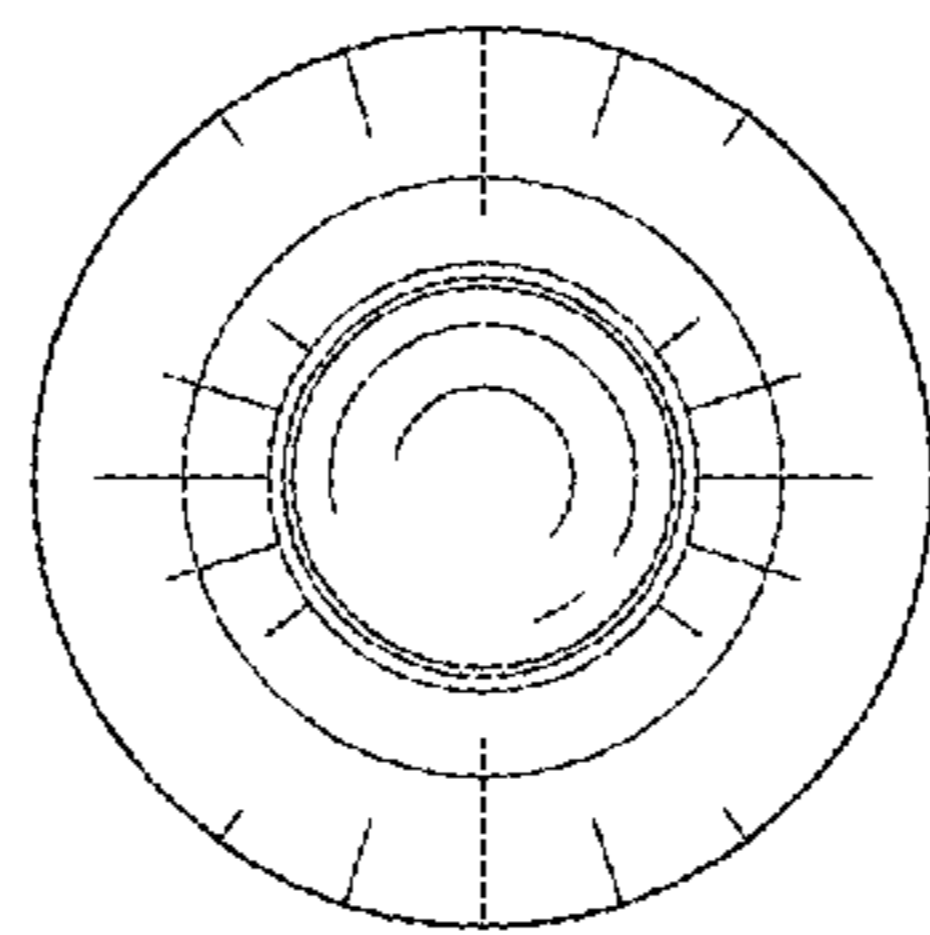


FIG.7

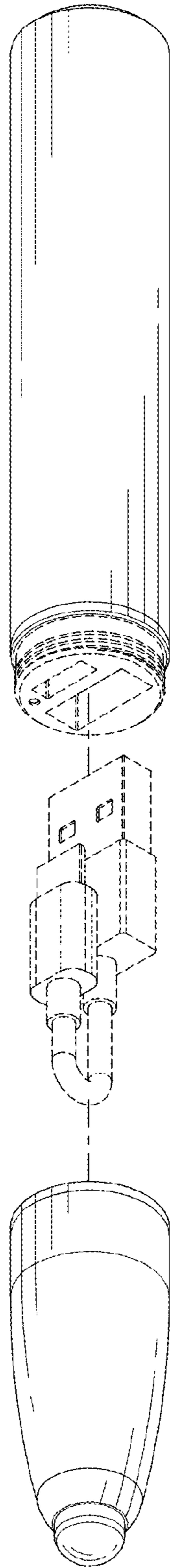


FIG.8