



US00D709882S

(12) **United States Design Patent**
Morris et al.

(10) **Patent No.:** **US D709,882 S**
(45) **Date of Patent:** **** Jul. 29, 2014**

- (54) **GAME CONTROLLER**
- (71) Applicant: **Microsoft Corporation**, Redmond, WA (US)
- (72) Inventors: **Quintin R. Morris**, Issaquah, WA (US); **Carl J. Ledbetter**, Mercer Island, WA (US); **Jeremy Slocum**, Redmond, WA (US); **Joel B. Jacobs**, Seattle, WA (US); **Bryon Ashley**, Maple Valley, WA (US)
- (73) Assignee: **Microsoft Corporation**, Redmond, WA (US)

7,195,561	B2 *	3/2007	Hussaini et al.	463/31
D547,763	S *	7/2007	Hayes et al.	D14/454
D565,668	S	4/2008	Baseflug et al.	
D568,335	S	5/2008	Armstrong et al.	
D569,388	S	5/2008	Armstrong et al.	
D581,422	S	11/2008	Hayes et al.	
D619,596	S	7/2010	Maitlen et al.	
D638,016	S *	5/2011	Ikeda	D14/401
D650,795	S	12/2011	Koehn	
D658,178	S	4/2012	Ikeda et al.	
D685,434	S *	7/2013	Ali et al.	D21/333
D692,001	S *	10/2013	Ibuki et al.	D14/401
D692,887	S *	11/2013	Ibuki et al.	D14/401
D694,830	S *	12/2013	Crowley et al.	D21/333
D700,182	S *	2/2014	Kidakarn	D14/401

(**) Term: **14 Years**

* cited by examiner

(21) Appl. No.: **29/447,086**

Primary Examiner — Prabhakar Deshmukh

(22) Filed: **Feb. 28, 2013**

(74) *Attorney, Agent, or Firm* — Banner & Witcoff, Ltd.

(51) **LOC (10) Cl.** **14-03**

(52) **U.S. Cl.**
USPC **D14/401; D21/333**

(58) **Field of Classification Search**
USPC D14/399-401, 412-416; D21/324, 333;
273/148 B; 463/1, 29-39, 46, 47;
345/156-161, 905
See application file for complete search history.

(57) **CLAIM**

The ornamental design for a game controller, as shown and described.

(56) **References Cited**

DESCRIPTION

U.S. PATENT DOCUMENTS

D424,047	S *	5/2000	Chan	D14/401
D435,551	S	12/2000	Hayes	
D453,932	S *	2/2002	Han et al.	D14/401
6,743,100	B1 *	6/2004	Neiser	463/37
D522,011	S *	5/2006	Hayes et al.	D14/454
7,063,321	B2 *	6/2006	Hussaini et al.	273/148 B

FIG. 1 is a perspective view of a game controller showing our new design;
FIG. 2 is a top view thereof;
FIG. 3 is a bottom view thereof;
FIG. 4 is a right side view thereof;
FIG. 5 is a left side view thereof;
FIG. 6 is a front view thereof; and,
FIG. 7 is a rear view thereof.

The broken line showing of various regions of the game controller and the unshaded areas therein is for environmental purposes only and forms no part of the claimed design.

1 Claim, 6 Drawing Sheets

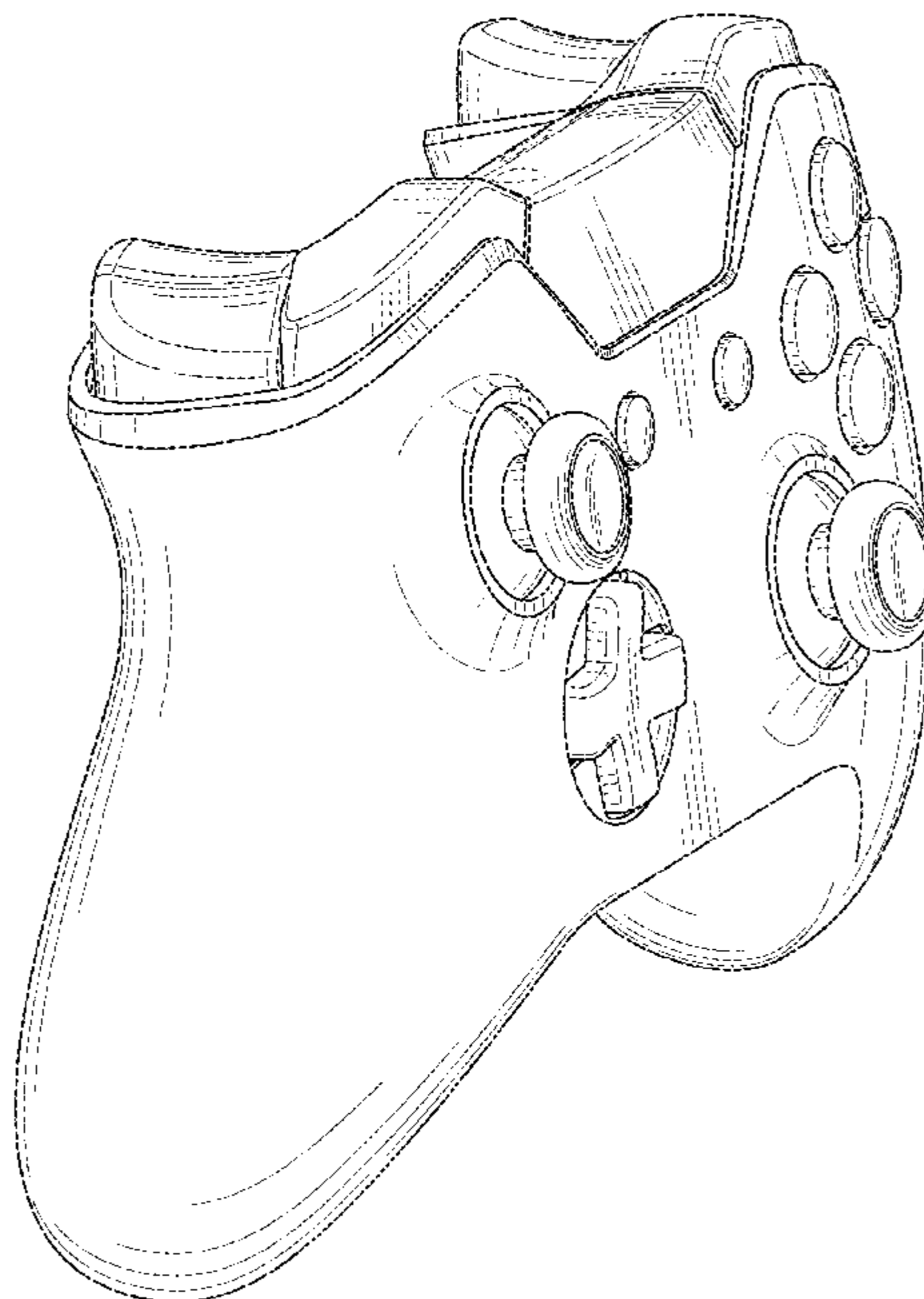




FIG. 1

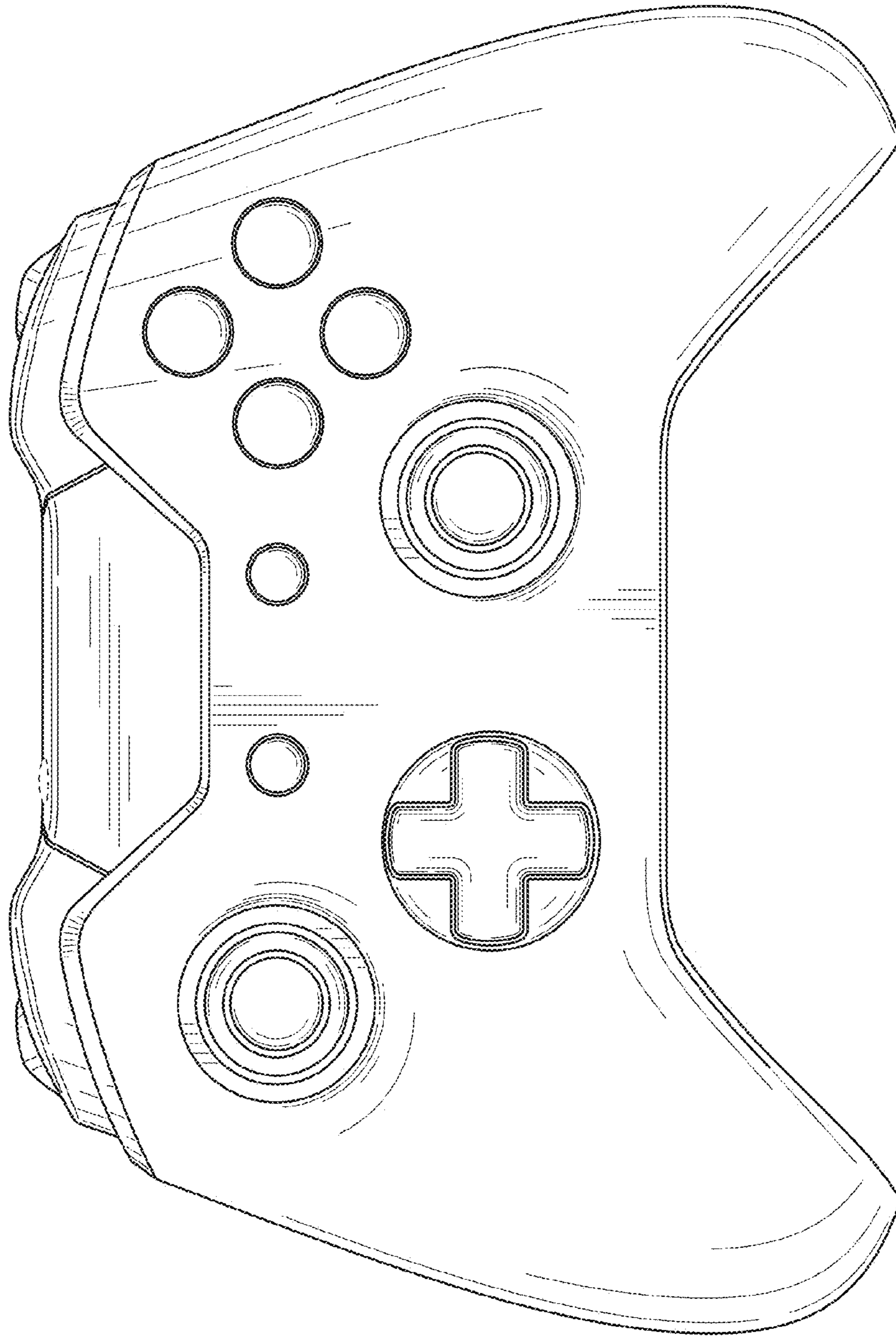


FIG. 2

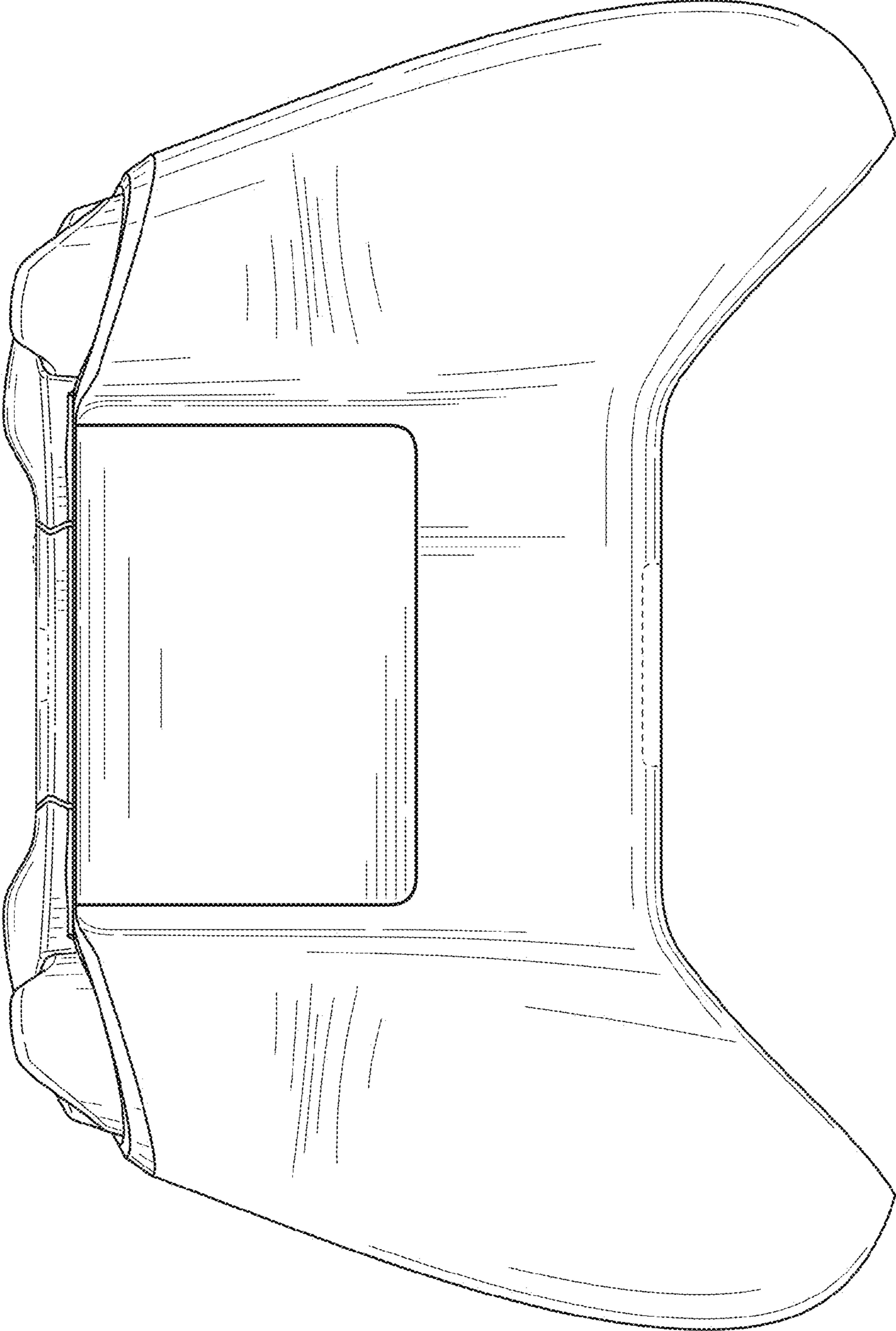


FIG. 3

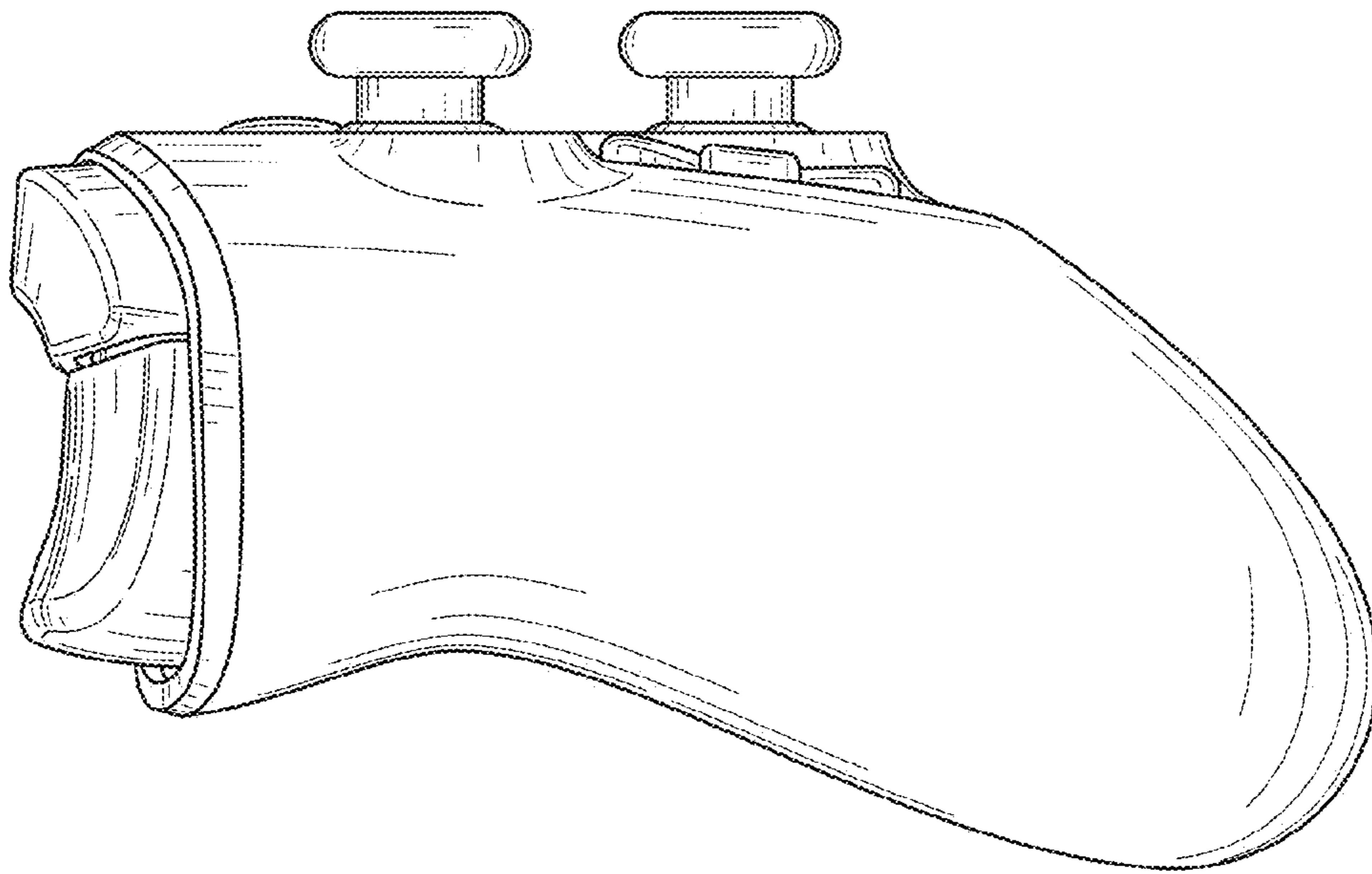


FIG. 5

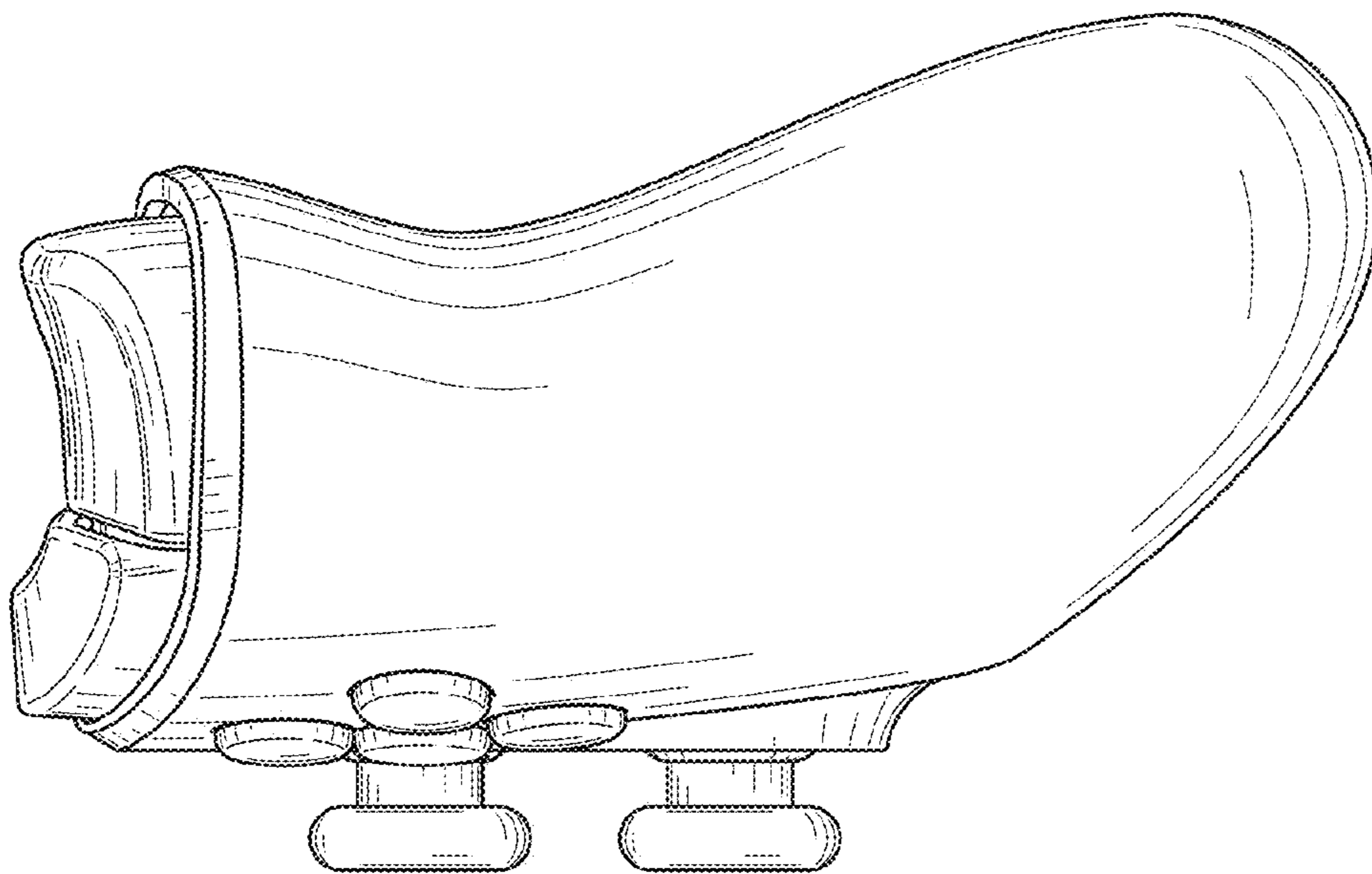


FIG. 4

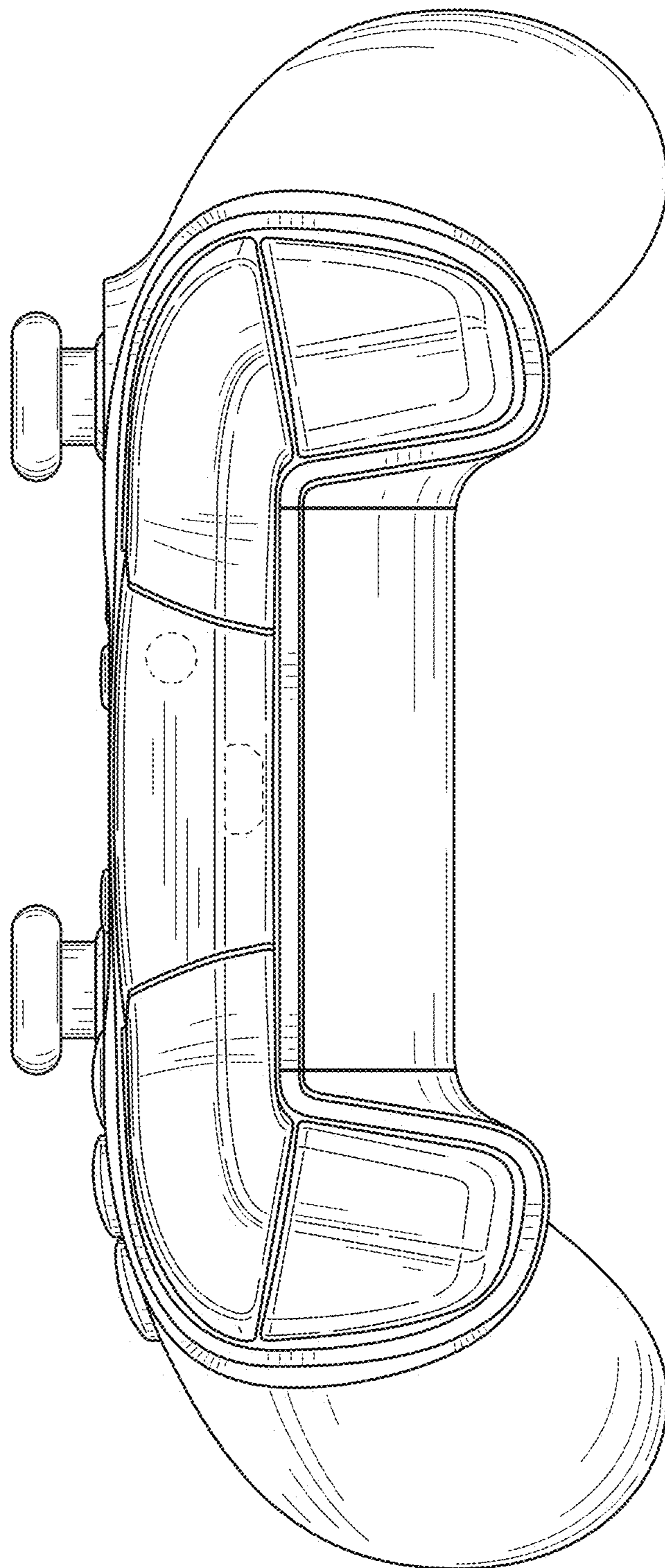


FIG. 6

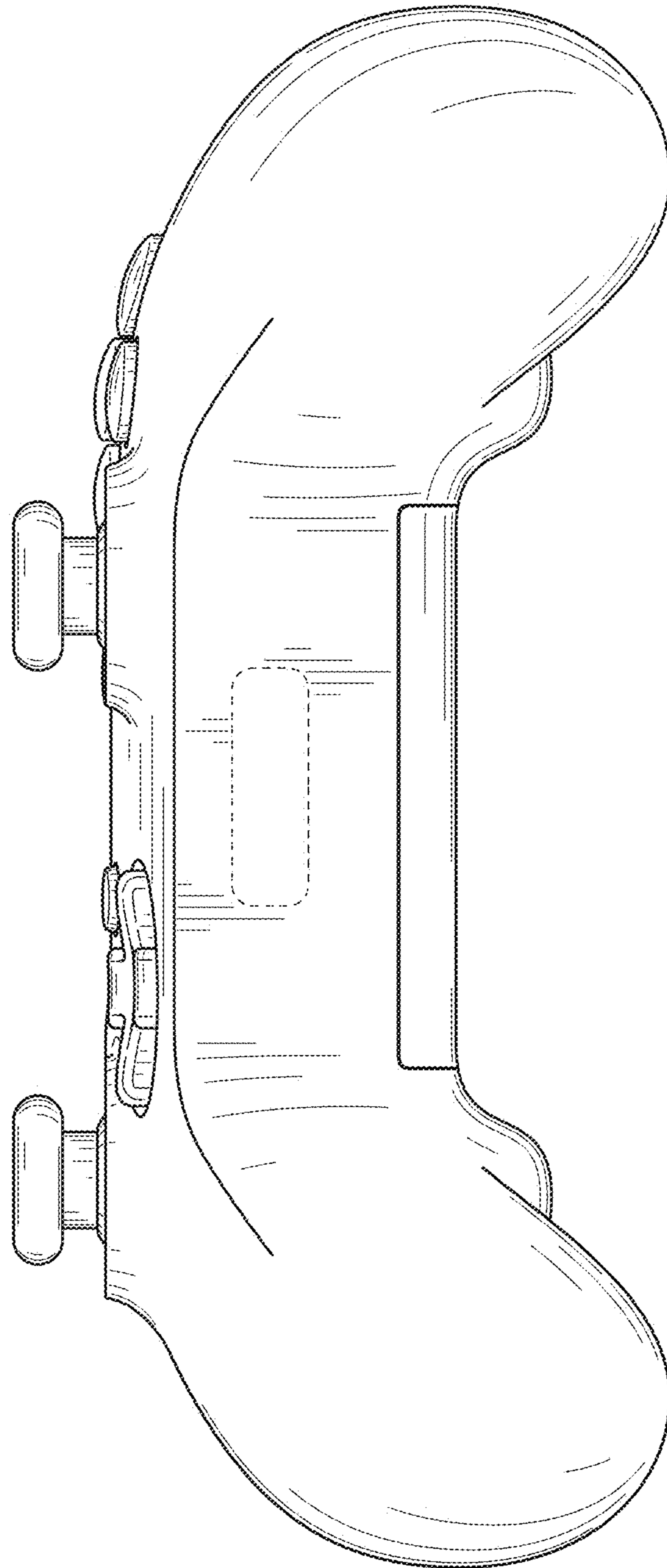


FIG. 7