



US00D709881S

(12) **United States Design Patent**
Chung et al.

(10) **Patent No.:** **US D709,881 S**
(45) **Date of Patent:** **** Jul. 29, 2014**

(54) **JOYPAD FOR MOBILE COMMUNICATION TERMINAL**

(71) Applicant: **Samsung Electronics Co. Ltd.,**
Suwon-si (KR)

(72) Inventors: **Won-Suk Chung, Seoul (KR);**
Chang-Ho Lee, Seoul (KR)

(73) Assignee: **Samsung Electronics Co., Ltd.,**
Suwon-si (KR)

(**) Term: **14 Years**

(21) Appl. No.: **29/451,806**

(22) Filed: **Apr. 9, 2013**

(30) **Foreign Application Priority Data**

Oct. 10, 2012 (KR) 30-2012-0048187

(51) **LOC (10) Cl.** **14-01**

(52) **U.S. Cl.**
USPC **D14/400; D21/332**

(58) **Field of Classification Search**
USPC D21/324, 328, 333, 385, 477, 566, 332;
D14/399-402, 412, 414, 416, 432;
273/148 B, 449, 441, 442; 463/1,
463/29-35, 46, 47; 345/156, 161; 434/45,
434/46

See application file for complete search history.

(56) **References Cited**

U.S. PATENT DOCUMENTS

5,259,626 A * 11/1993 Ho 463/37
5,523,800 A * 6/1996 Dudek 348/734

5,759,719 A * 6/1998 Mao 429/223
D451,558 S * 12/2001 Sano D21/333
D467,923 S * 12/2002 Lim D14/401
6,806,894 B2 * 10/2004 Seki 347/135
7,286,894 B1 * 10/2007 Grant et al. 700/168
D563,409 S * 3/2008 Liu D14/400
D575,285 S * 8/2008 Ashida et al. D14/400
D577,025 S * 9/2008 Ashida et al. D14/400
8,430,753 B2 * 4/2013 Ikeda et al. 463/37
D694,229 S * 11/2013 Wolf D14/314

* cited by examiner

Primary Examiner — Prabhakar Deshmukh

(74) *Attorney, Agent, or Firm* — Jefferson IP Law, LLP

(57) **CLAIM**

The ornamental design for joypad for mobile communication terminal, as shown and described.

DESCRIPTION

FIG. 1 is a perspective view of joypad for mobile communication terminal, showing a new design;
FIG. 2 is a front elevational view thereof;
FIG. 3 is a rear elevational view thereof;
FIG. 4 is a left side elevational view thereof;
FIG. 5 is a right side elevational view thereof;
FIG. 6 is a top plan view thereof;
FIG. 7 is a bottom plan view thereof; and,
FIG. 8 is a perspective view thereof showing the joypad for mobile communication terminal in an environment in which it may be used.

The broken lines are included for the purpose of illustrating environmental elements only and form no part of the claimed design.

1 Claim, 8 Drawing Sheets

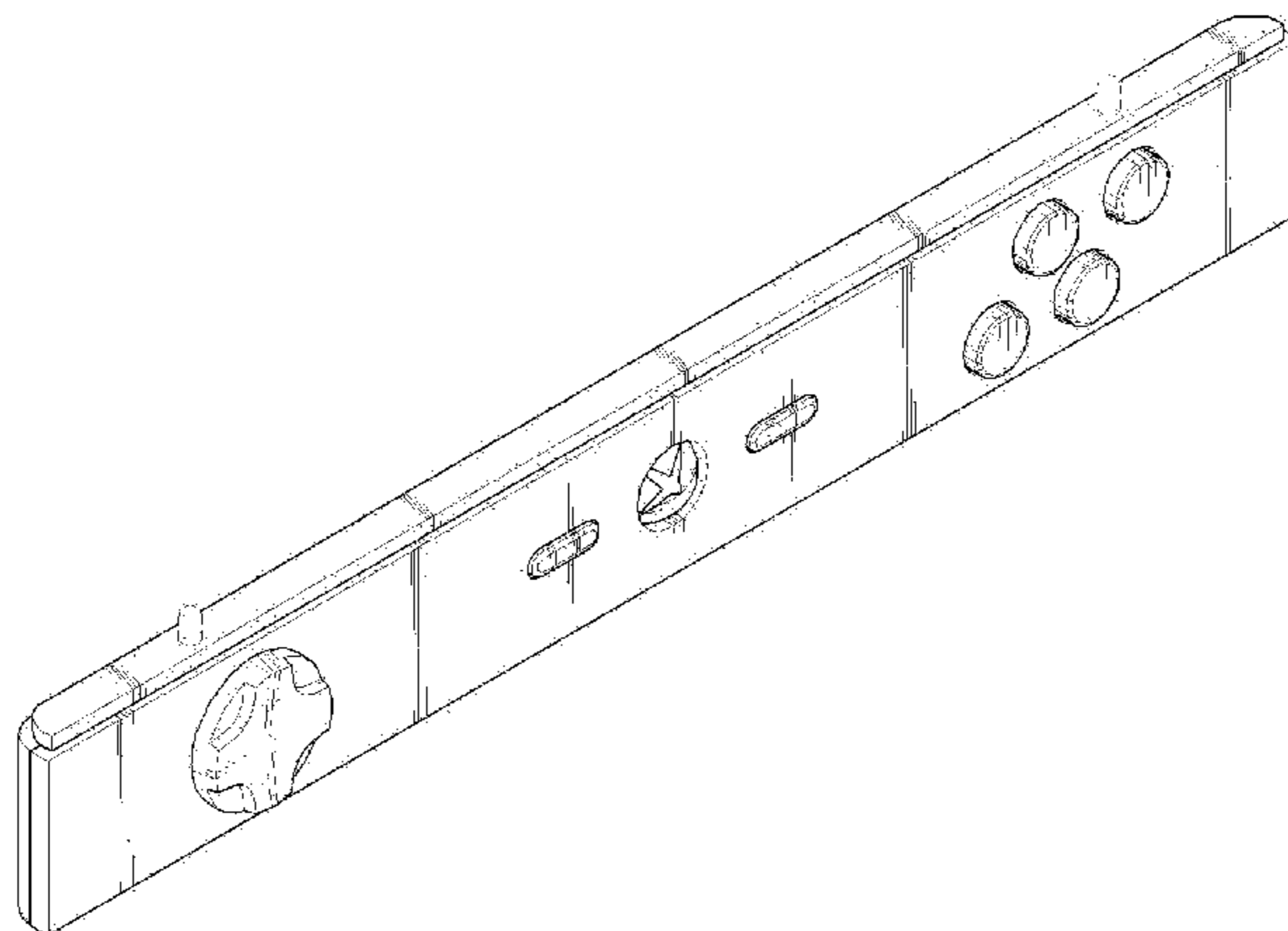


FIG. 1

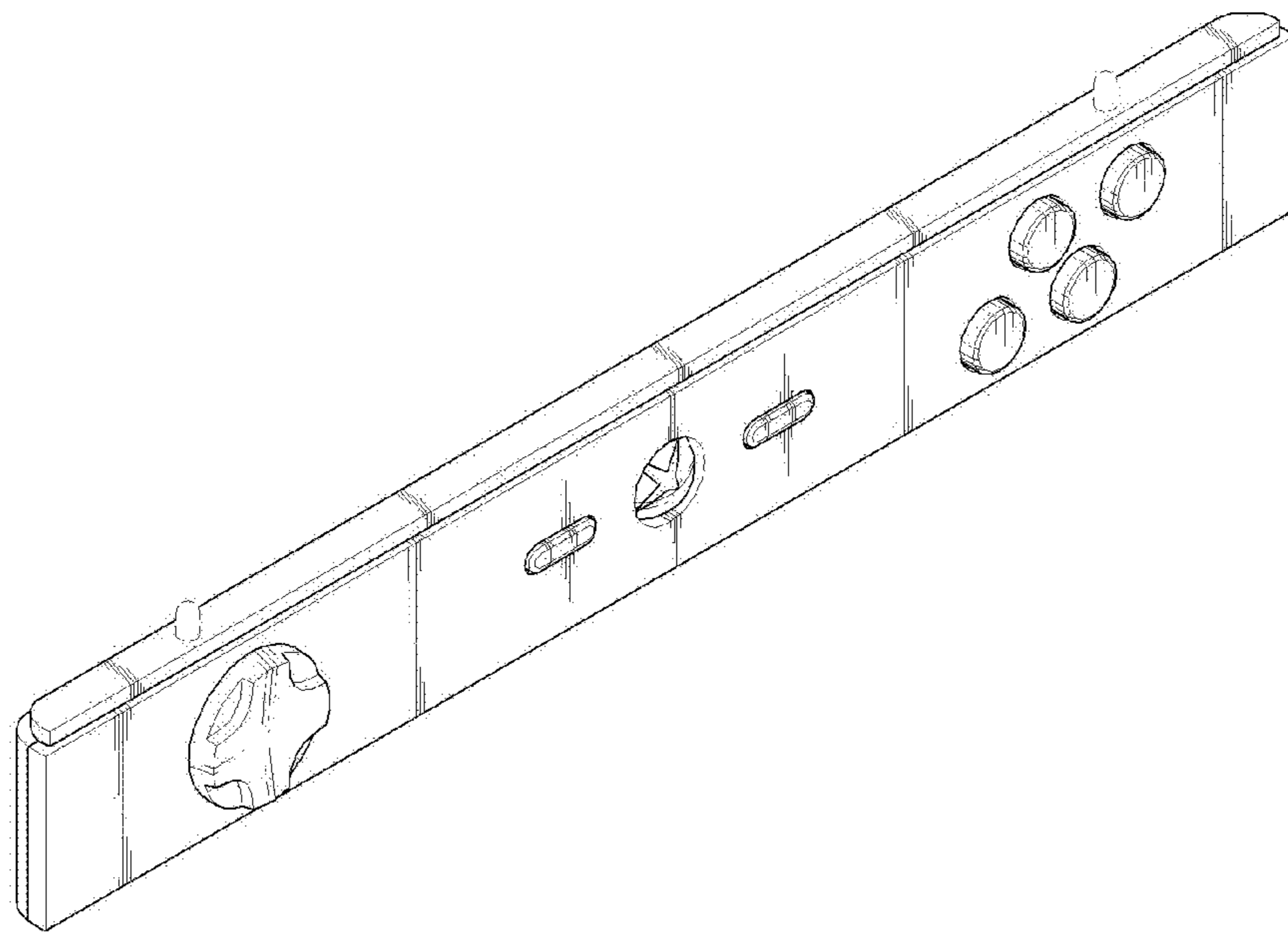


FIG.2

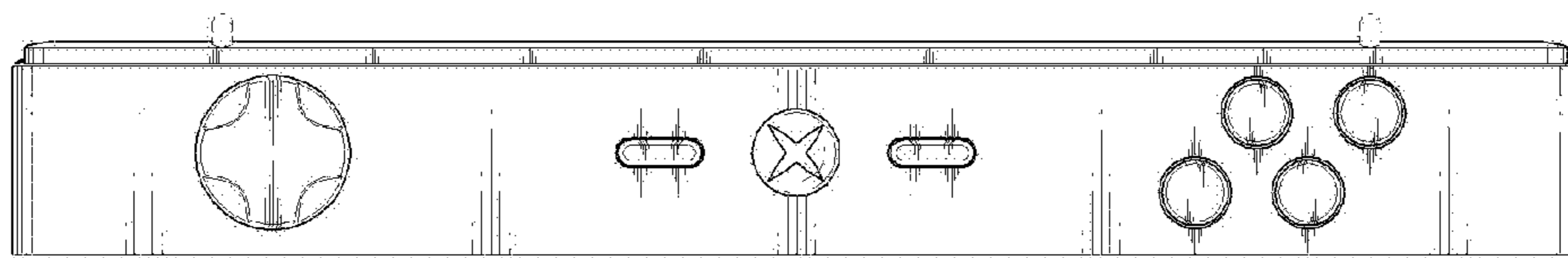


FIG. 3

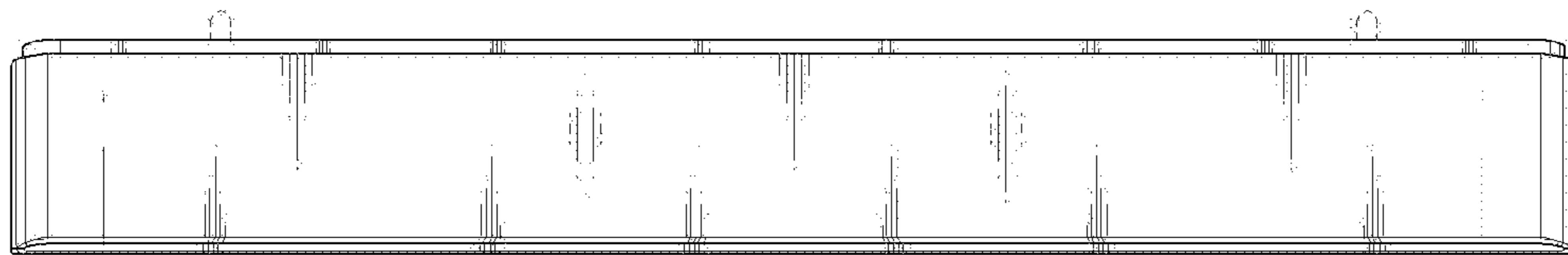


FIG. 4

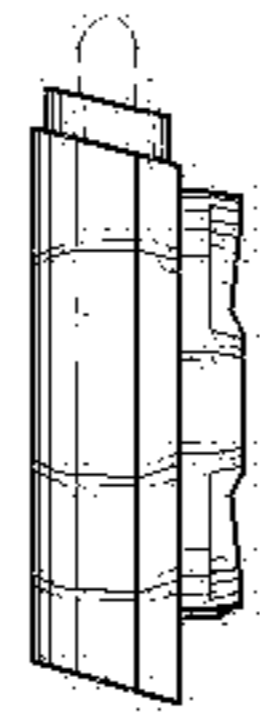


FIG. 5

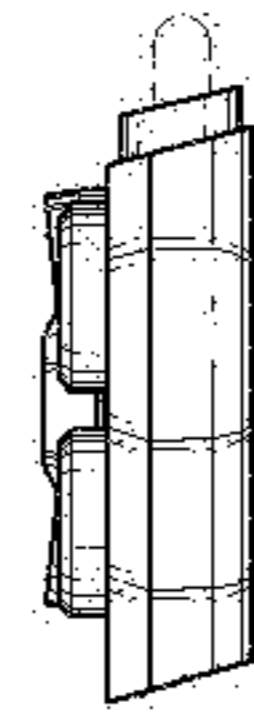


FIG. 6

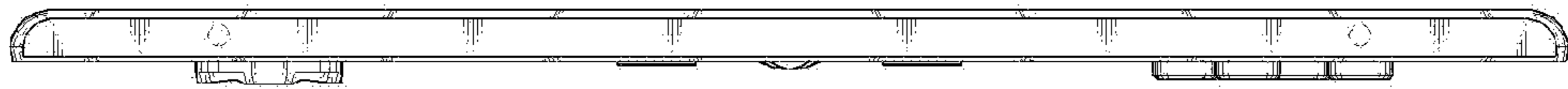


FIG. 7

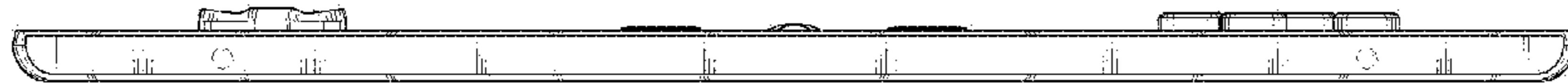


FIG. 8

