



US00D709873S

(12) **United States Design Patent**
Aumiller et al.

(10) **Patent No.:** **US D709,873 S**
(45) **Date of Patent:** **** Jul. 29, 2014**

- (54) **ELECTRONIC DEVICE**
 - (71) Applicant: **Samsung Electronics Co., Ltd.**,
Suwon-si (KR)
 - (72) Inventors: **Curtis Aumiller**, San Jose, CA (US);
Pranav Mistry, Cupertino, CA (US);
Chengyuan Wei, Dalian (CN)
 - (73) Assignee: **Samsung Electronics Co., Ltd.**,
Suwon-Si (KR)
 - (**) Term: **14 Years**
 - (21) Appl. No.: **29/449,659**
 - (22) Filed: **Mar. 15, 2013**
 - (51) **LOC (10) Cl.** **14-02**
 - (52) **U.S. Cl.**
USPC **D14/344**
 - (58) **Field of Classification Search**
USPC D14/341-347, 420, 426, 427;
D10/30-32, 37-39, 65; 368/281-282,
368/294-296; 455/100; 361/679.03;
379/433.1; D11/3
- See application file for complete search history.

(56) **References Cited**

U.S. PATENT DOCUMENTS

D299,028 S *	12/1988	Hermann	D14/344
D355,132 S *	2/1995	Williams	D10/32
5,418,760 A *	5/1995	Kawashima et al.	368/69
D365,550 S *	12/1995	Houlihan	D14/344
D366,036 S *	1/1996	Houlihan	D14/344
D383,985 S *	9/1997	Davenport	D10/31
D401,515 S *	11/1998	Yida	D10/39
D410,854 S *	6/1999	Cheung et al.	D10/39
D413,817 S *	9/1999	Ando et al.	D10/31
D422,513 S *	4/2000	Bodino	D10/32
D434,675 S *	12/2000	Ando et al.	D10/31
D453,005 S *	1/2002	Baumer	D10/32
D459,352 S *	6/2002	Giovanniello	D14/402
D460,430 S *	7/2002	Wada et al.	D14/138 R

D463,296 S *	9/2002	Sanomi	D10/39
D466,487 S *	12/2002	Wada et al.	D14/138 R
D466,488 S *	12/2002	Wada et al.	D14/138 R
D526,215 S *	8/2006	Calvani	D10/38
D526,912 S *	8/2006	Calvani	D10/38
D528,928 S	9/2006	Burton	
D537,738 S *	3/2007	Ohki et al.	D10/32
D596,610 S *	7/2009	Hou	D14/144

(Continued)

OTHER PUBLICATIONS

Pebble smartwatch, posted Jan. 25, 2013 [online], [retrieved Aug. 22, 2013]. Retrieved from Internet, <http://www.engadget.com/2013/01/25/pebble-smartwatch-review/>.*

(Continued)

Primary Examiner — Barbara Fox

(74) *Attorney, Agent, or Firm* — Sughrue Mion, PLLC

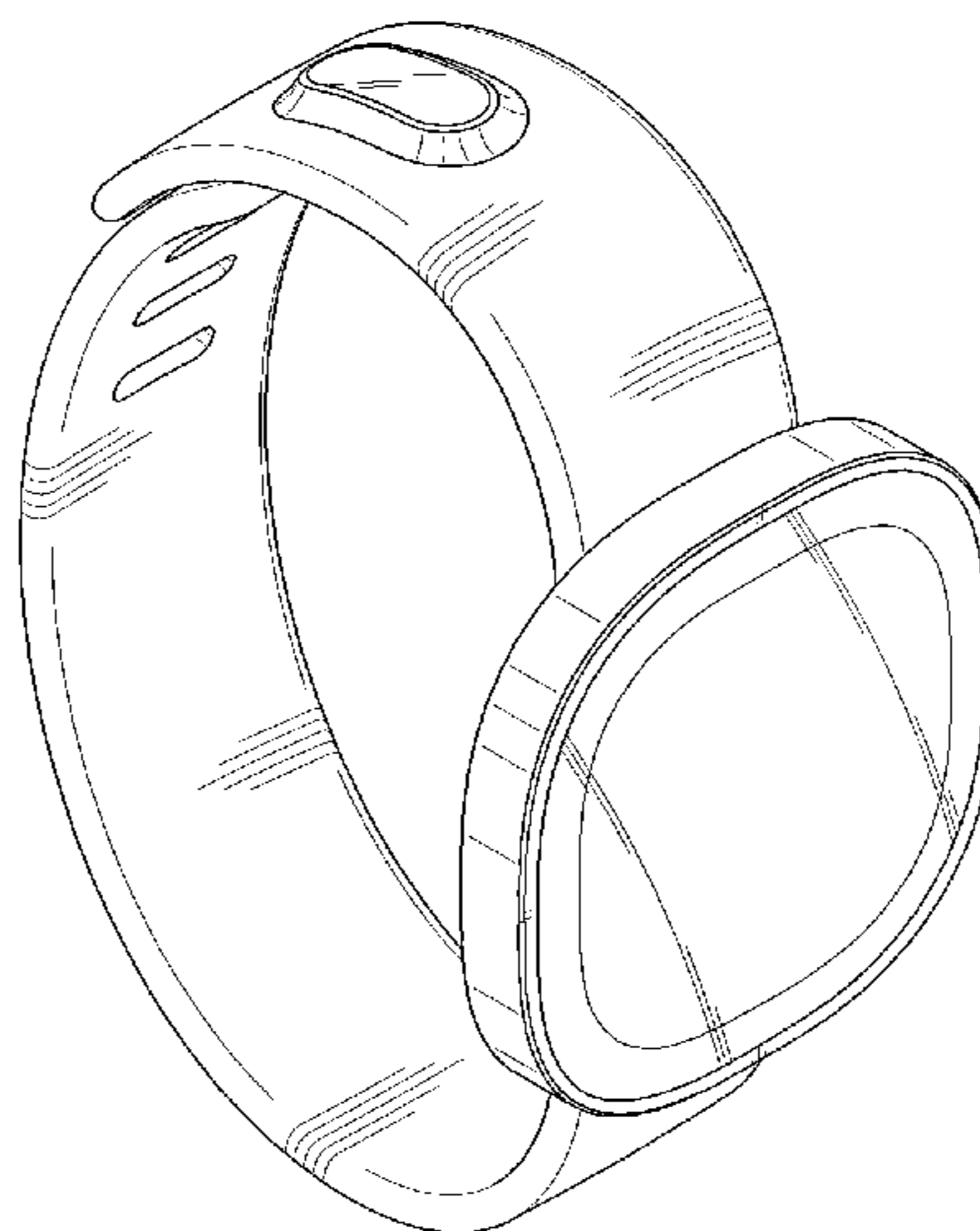
(57) **CLAIM**

The ornamental design for an electronic device, as shown and described.

DESCRIPTION

FIG. 1 is a top front perspective view of an electronic device showing our new design;
 FIG. 2 is a front elevational view thereof;
 FIG. 3 is a rear elevational view thereof;
 FIG. 4 is a left side elevational view thereof;
 FIG. 5 is a right side elevational view thereof;
 FIG. 6 is a top plan view thereof;
 FIG. 7 is a bottom plan view thereof;
 FIG. 8 is an additional top front perspective view thereof with the electronic device shown at a different direction from that of FIG. 1; and,
 FIG. 9 is an additional top front perspective view thereof with the electronic device shown at a different direction from that of FIG. 1 in a case where a terminal portion of the band is partially truncated.

1 Claim, 4 Drawing Sheets



(56)

References Cited

U.S. PATENT DOCUMENTS

D626,550 S *	11/2010	Julien	D14/341
D636,686 S *	4/2011	Cobbett et al.	D10/38
D645,360 S *	9/2011	Kiser et al.	D10/32
D650,706 S *	12/2011	Zanella et al.	D10/32
D661,275 S *	6/2012	Roka	D14/138 R
D672,255 S *	12/2012	Zanella et al.	D10/32
2004/0209657 A1 *	10/2004	Ghassabian	455/575.1

OTHER PUBLICATIONS

Zypad WL 1000, posted Jun. 29, 2007 [online], [retrieved Aug. 22, 2013]. Retrieved from Internet, <http://www.pocket-lint.com/news/81360-zypad-wl1000-futuristic-wearable-computer>.*

iWatch Concept, posted Feb. 21, 2013 [online], [retrieved Aug. 21, 2013]. Retrieved from Internet, <http://appleinsider.com>.*

Samsungpatent for a wrist watch computing device, posted Aug. 14, 2013 [online], [retrieved Aug. 21, 2013]. Retrieved from Internet, <http://appleinsider.com>.*

Microsoft "Smartwatch", posted Apr. 17, 2013 [online], [retrieved Aug. 22, 2013]. Retrieved from Internet, <http://kotaku.com/report-xbox-staff-working-on-microsoft-smartwatch-475322574>.*

Smartwatches, posted Mar. 25, 2013 [online], [retrieved Aug. 22, 2013]. Retrieved from Internet, <http://www.trustedreviews.com/opinions/smart-watches-fad-or-the-future>.*

Microsoft smartwatch, posted Apr. 15, 2013 [online], [retrieved Aug. 22, 2013]. Retrieved from Internet, <http://www.digitaltrends.com>.*

Samsung SPH-WP10, posted Mar. 21, 2013 [online], [retrieved Aug. 21, 2013]. Retrieved from Internet, <http://appleinsider.com>.*

Sony SmartWatch, posted Mar. 19, 2012 [online], [retrieved Aug. 22, 2013]. Retrieved from Internet, <http://www.theverge.com/2012/3/19/2876341/sony-smartwatch-review>.*

Microsof SPTO Watch Smartwatch, posted Mar. 11, 2013 [online], [retrieved Aug. 22, 2013]. Retrieved from Internet, <http://www.smartwatchnews.org/2004-microsoft-spot-watch-smartwatch/>.*

I'm Watch, posted Jan. 10, 2012 [online], [retrieved Aug. 22, 2013]. Retrieved from Internet, <http://www.theverge.com>.*

Sonostar, posted May 21, 2013 [online], [retrieved Aug. 25, 2013]. Retrieved from Internet, http://reviews.cnet.com/cell-phone-and-smart/sonostar-smartwatch/4505-6448_7-35768972.html.*

Design U.S. Appl. No. 29/453,818, Curtis Aumiller, filed May 3, 2013.

Design U.S. Appl. No. 29/453,824, Curtis Aumiller, filed May 3, 2013.

Design U.S. Appl. No. 29/453,862, Curtis Aumiller, filed May 3, 2013.

* cited by examiner

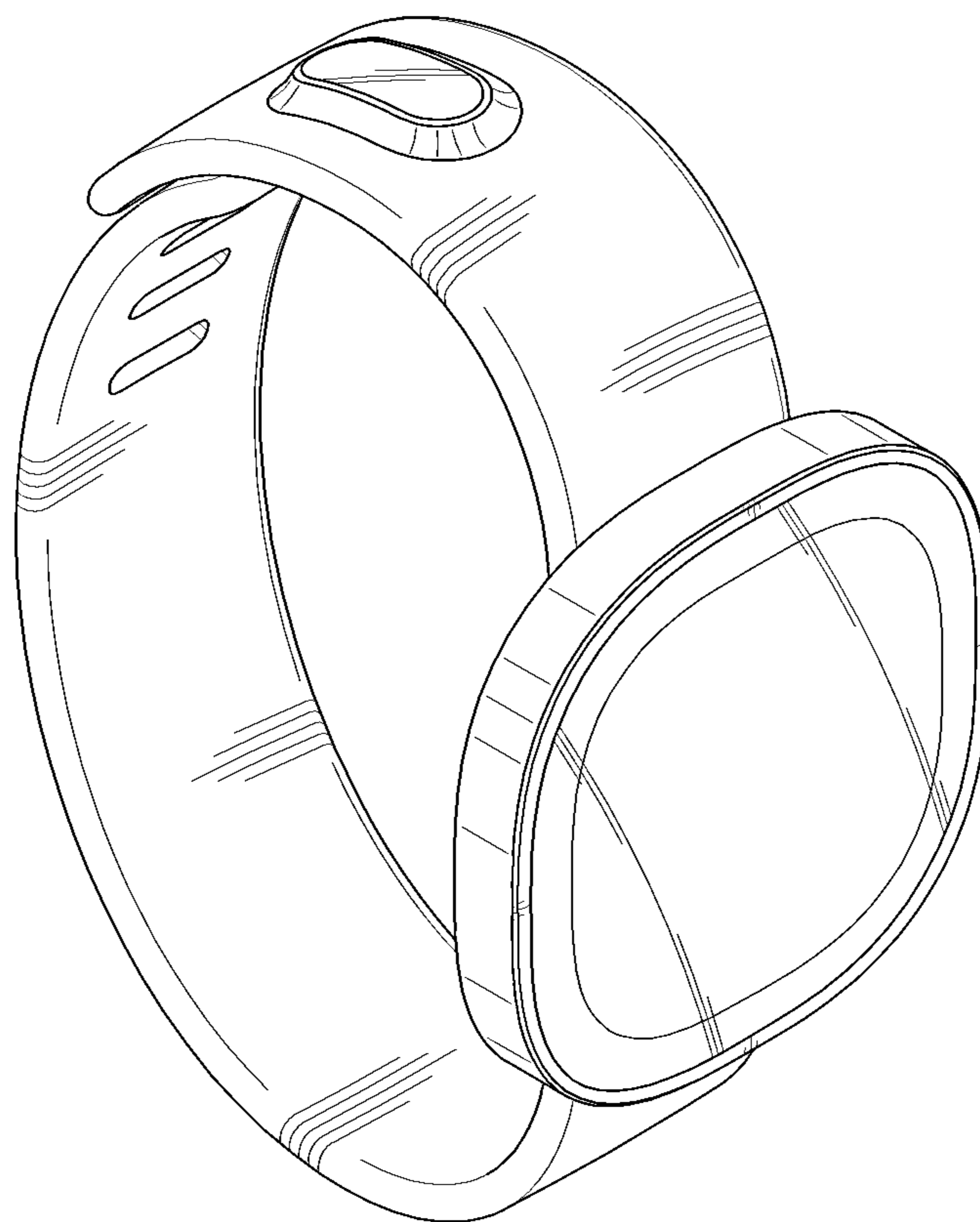


FIG.1

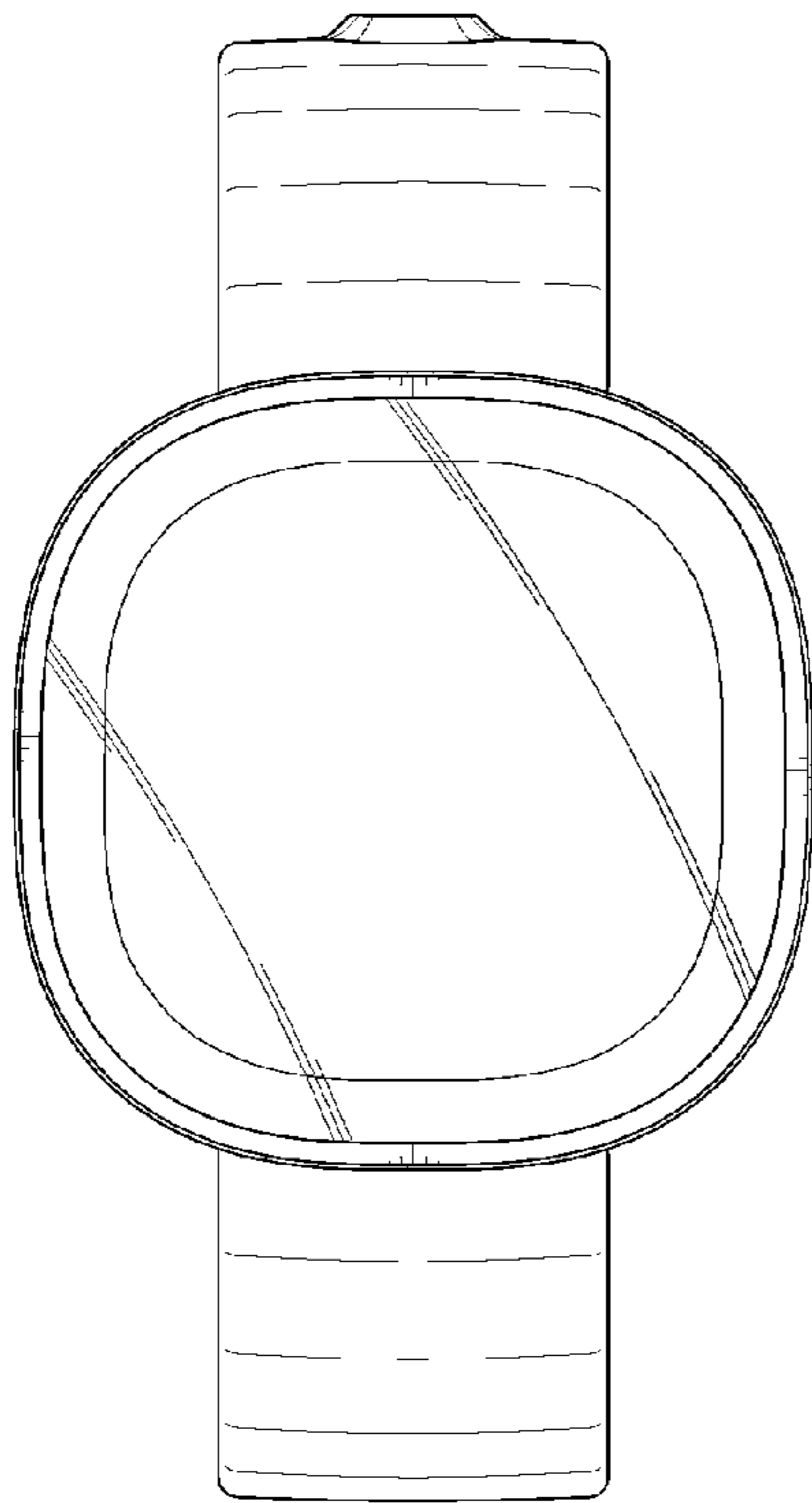


FIG.2

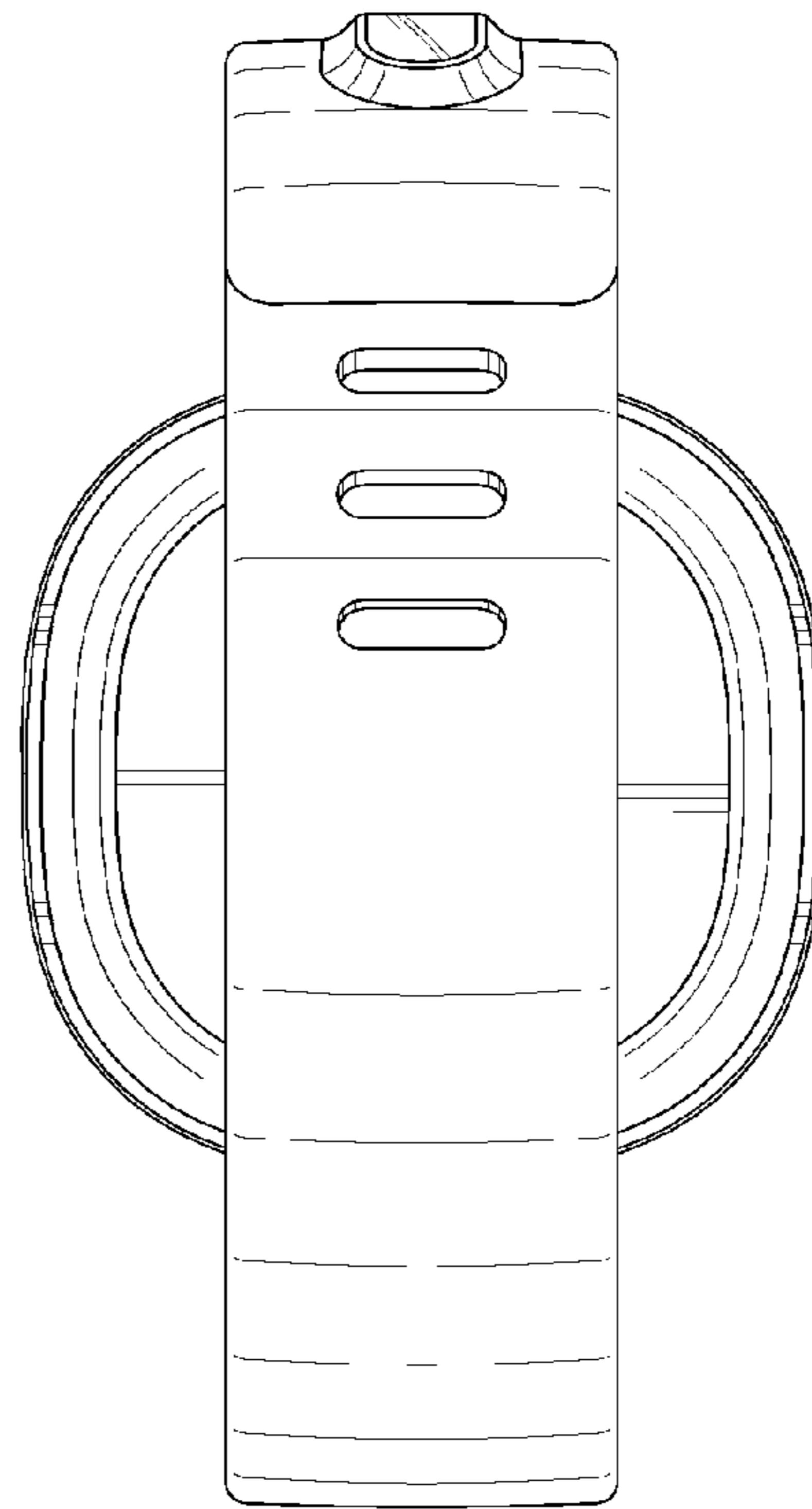


FIG.3

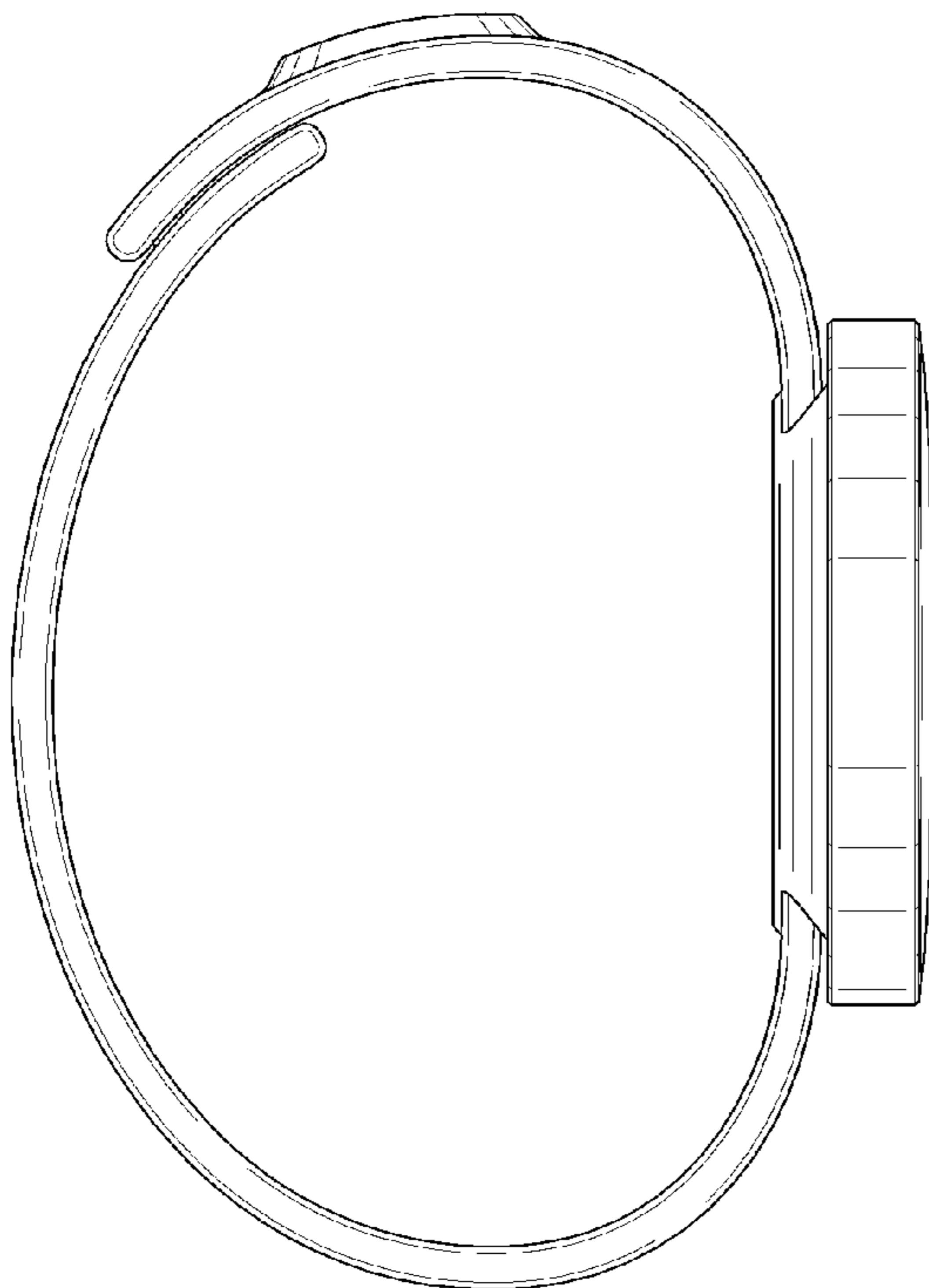


FIG.4

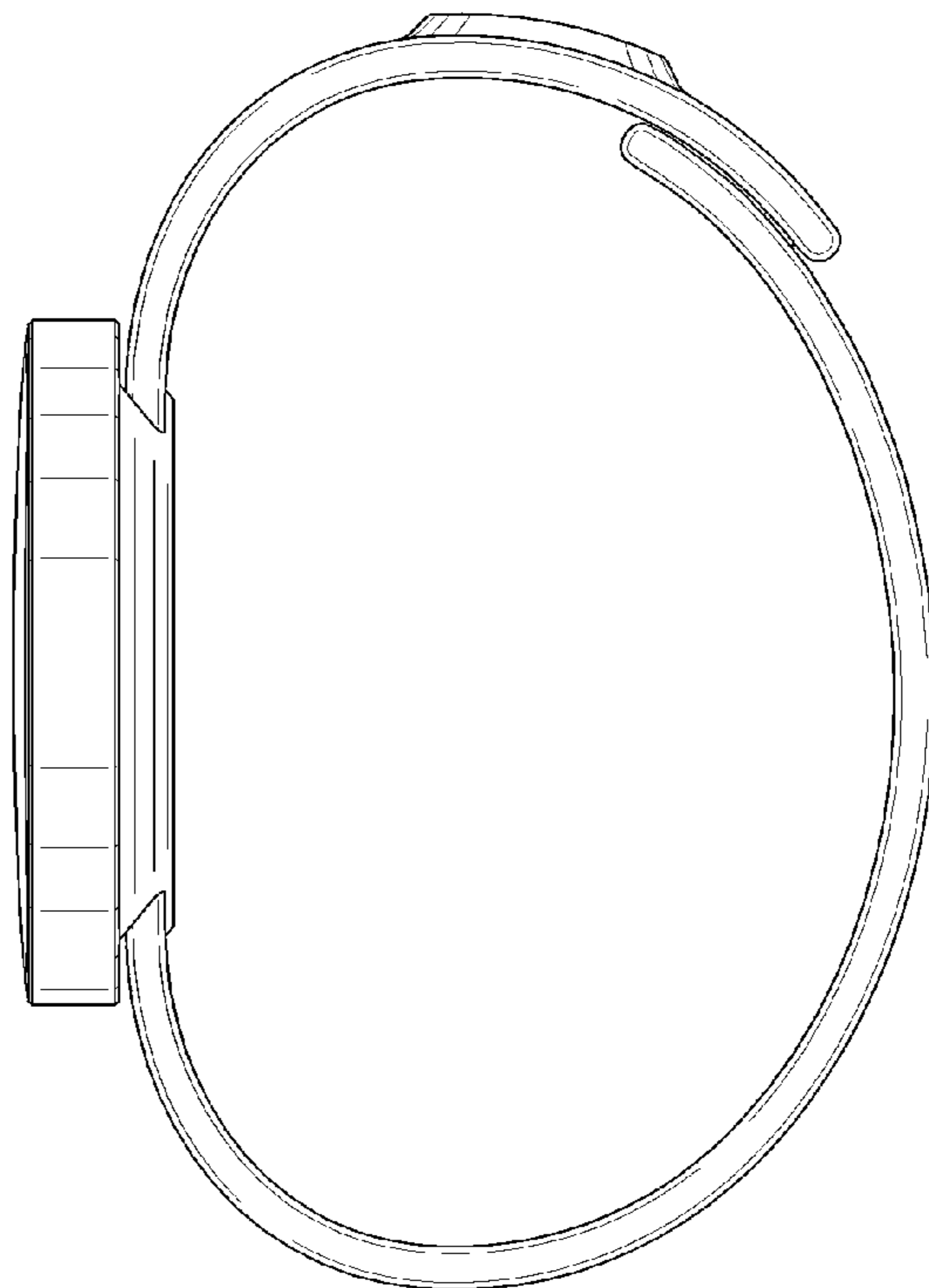


FIG.5

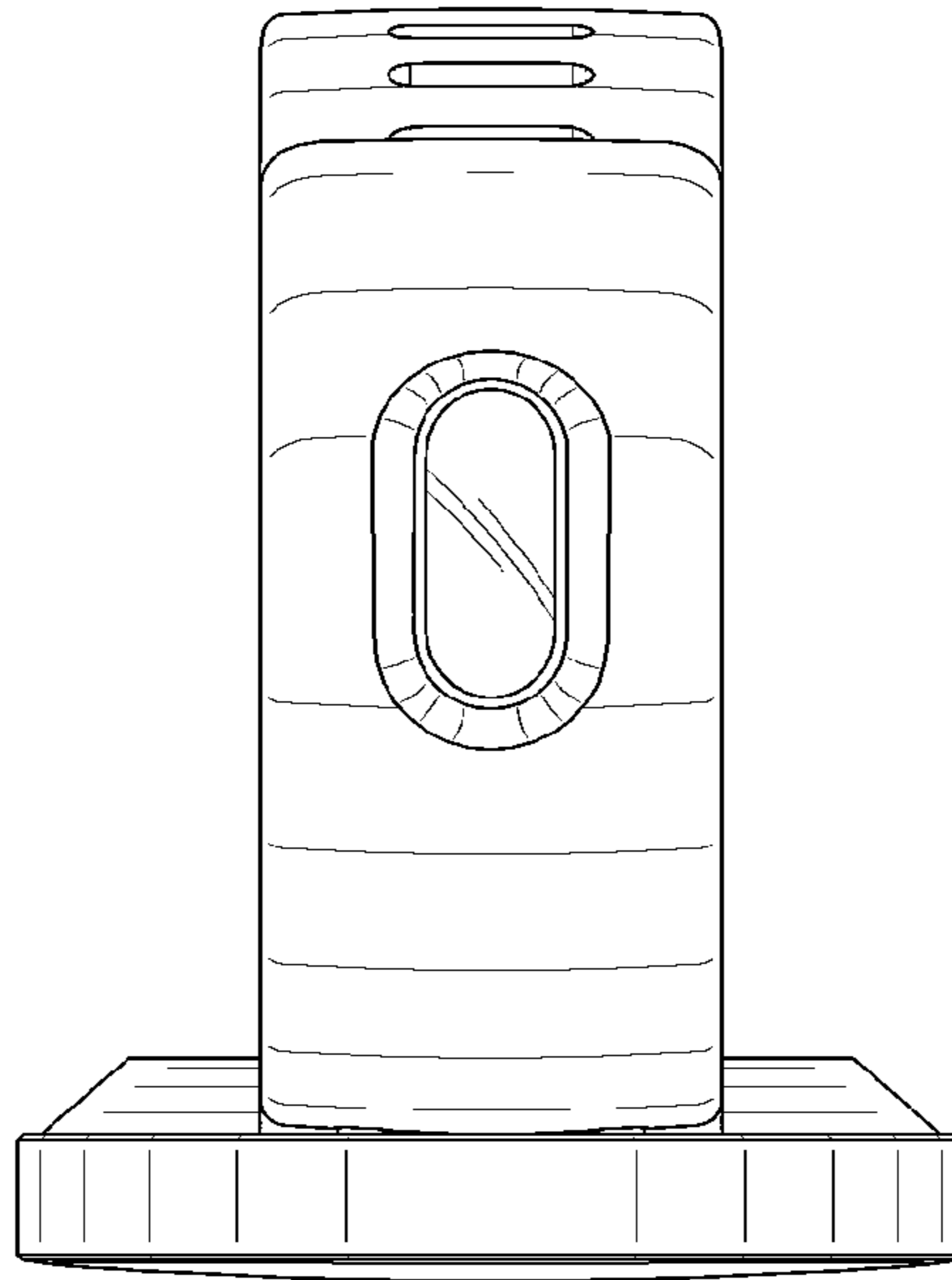


FIG.6

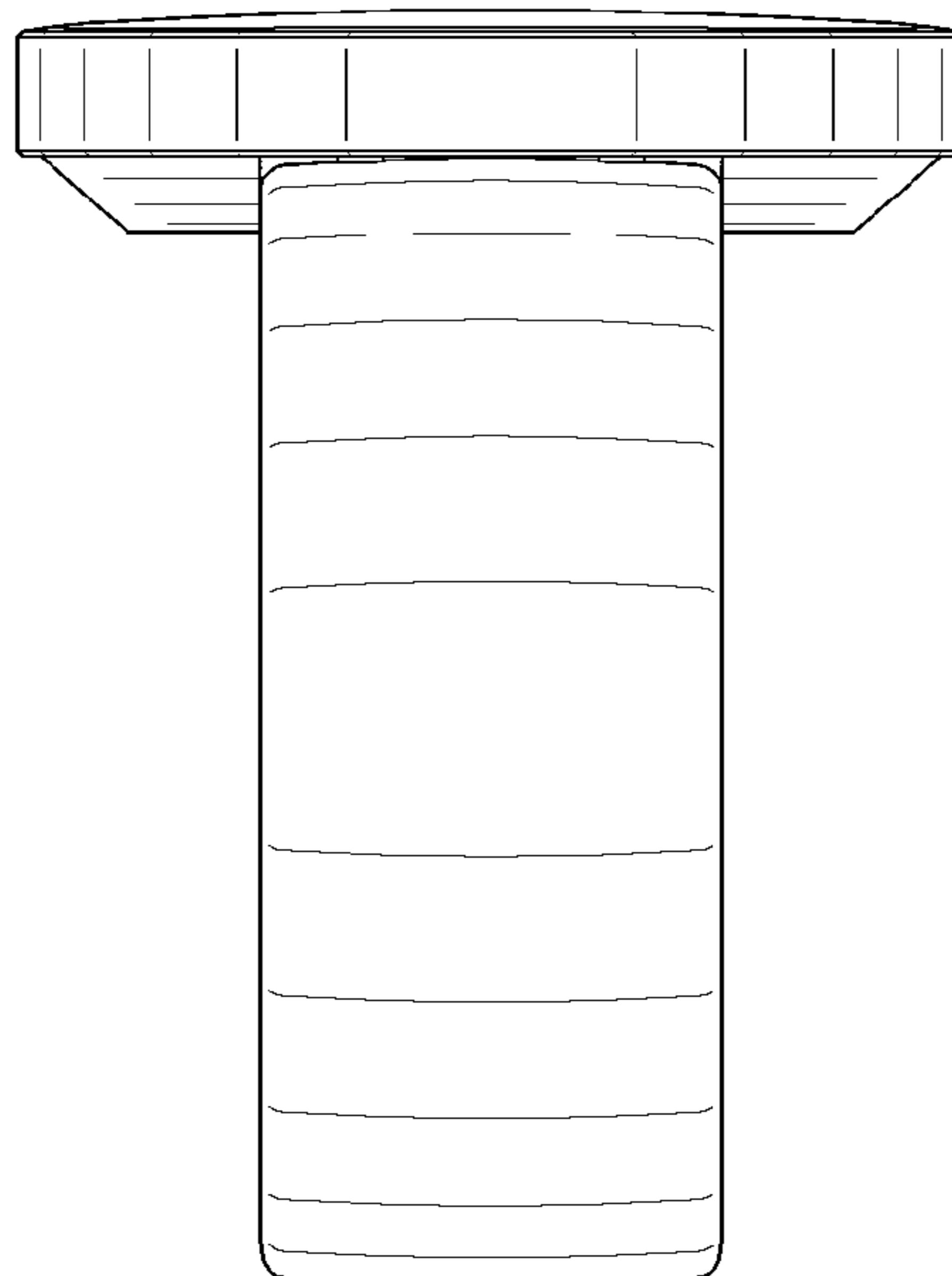


FIG.7

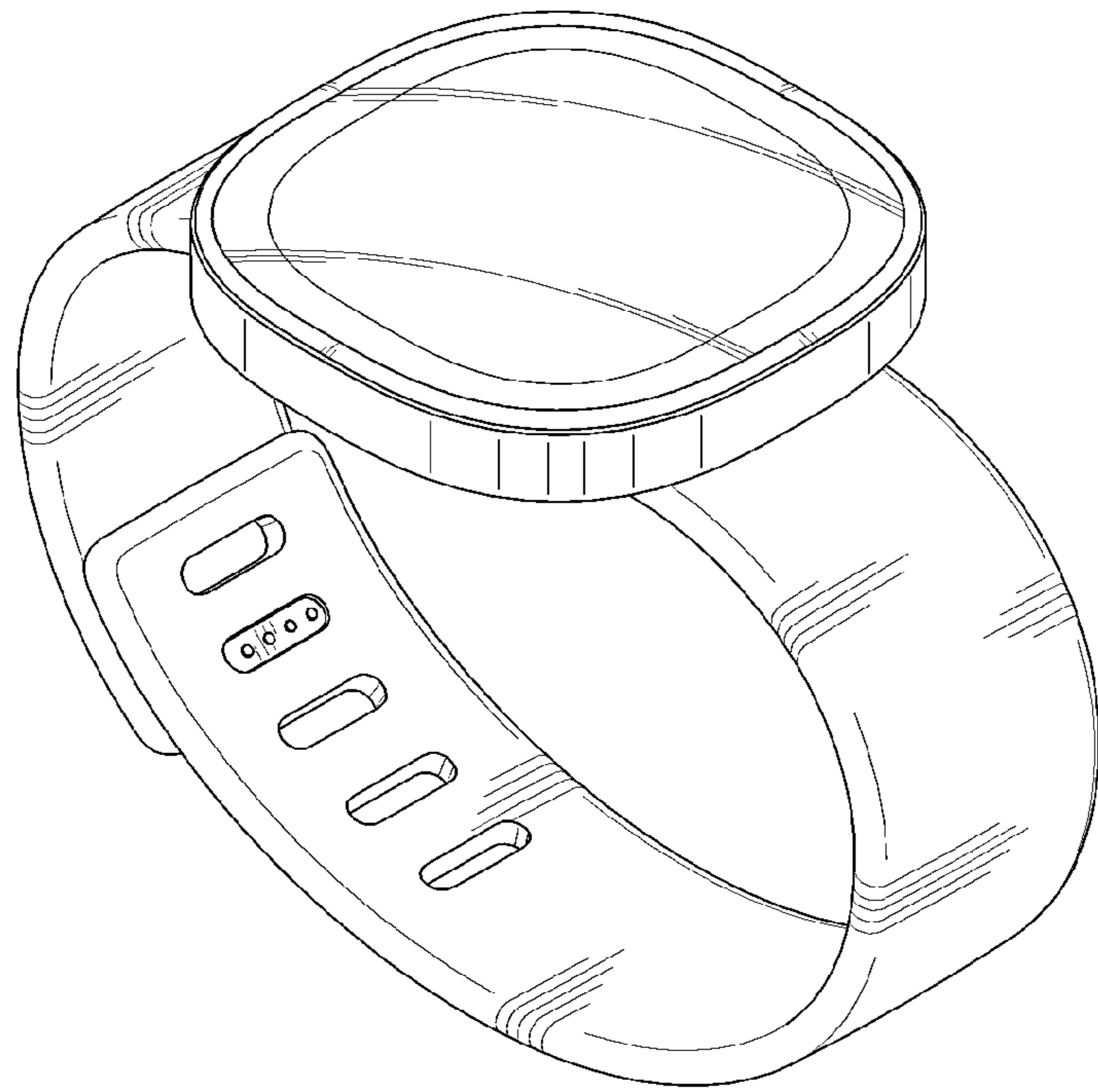


FIG. 8

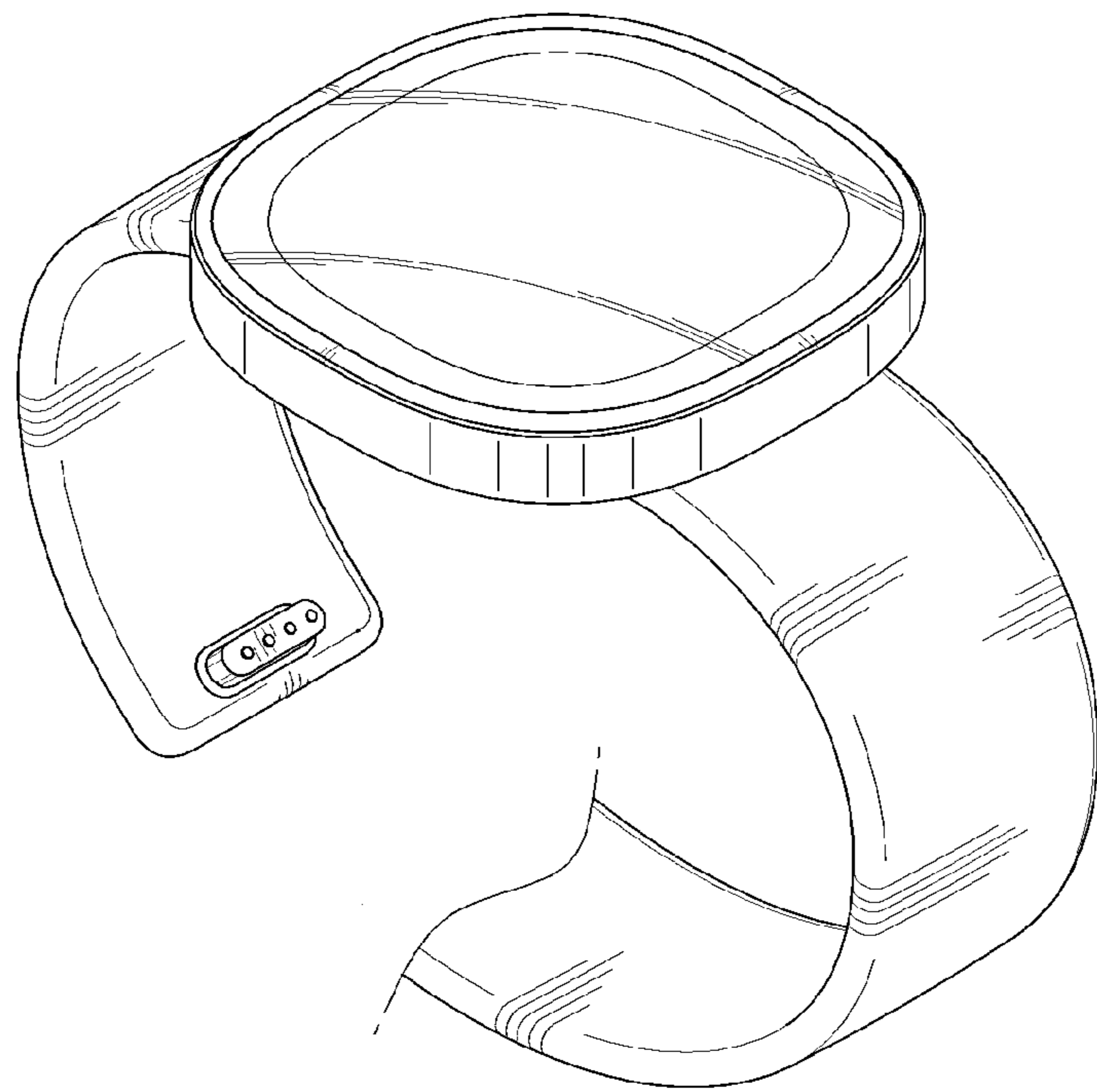


FIG. 9