



US00D709866S

(12) **United States Design Patent**
Ferguson et al.

(10) **Patent No.:** **US D709,866 S**
(45) **Date of Patent:** **** Jul. 29, 2014**

(54) **ANTENNA**

(71) Applicants: **Don Ferguson**, Mississauga (CA);
Mircea Paun, Mississauga (CA); **Tudor Patroi**, Mississauga (CA); **Steve Taylor**, Mississauga (CA)

(72) Inventors: **Don Ferguson**, Mississauga (CA);
Mircea Paun, Mississauga (CA); **Tudor Patroi**, Mississauga (CA); **Steve Taylor**, Mississauga (CA)

(73) Assignee: **Lyngsoe Systems Limited**, Mississauga (CA)

(**) Term: **14 Years**

(21) Appl. No.: **29/480,276**

(22) Filed: **Jan. 24, 2014**

Related U.S. Application Data

(62) Division of application No. 29/428,860, filed on Aug. 3, 2012, now Pat. No. Des. 698,763.

(51) **LOC (10) Cl.** **14-03**

(52) **U.S. Cl.**
USPC **D14/230**; D14/238

(58) **Field of Classification Search**
USPC D14/138, 230-238, 299, 358; D12/42, D12/43; 343/700 MS, 700 R-705, 711-713, 343/735, 736, 741, 748, 767, 795, 819, 840, 343/846, 866, 871-908; 455/90.2, 90.3, 91, 455/128, 269, 344, 347, 562.1; 340/10.1; 342/27

See application file for complete search history.

(56) **References Cited**

U.S. PATENT DOCUMENTS

D179,111	S	*	11/1956	Ballan et al.	D14/234
3,273,158	A	*	9/1966	Fouts et al.	343/792
4,772,890	A	*	9/1988	Bowen et al.	343/700 MS
D315,738	S	*	3/1991	Takizawa	D14/233
D326,097	S	*	5/1992	Ferrario	D14/230
D345,564	S	*	3/1994	Kadono et al.	D14/230
D347,637	S	*	6/1994	Burchardt et al.	D14/230
D382,566	S	*	8/1997	Schrum et al.	D14/230
D517,535	S	*	3/2006	Wu	D14/230
D531,995	S	*	11/2006	Shinkawa et al.	D14/230
D533,545	S	*	12/2006	Inoue	D14/230
D546,709	S	*	7/2007	Brooks	D10/2
D548,730	S	*	8/2007	Inoue et al.	D14/230
D552,088	S	*	10/2007	Schneider	D14/230
D642,173	S	*	7/2011	Lee et al.	D14/365
D664,126	S	*	7/2012	Feit	D14/230
2007/0279852	A1	*	12/2007	Daniel et al.	361/683

* cited by examiner

Primary Examiner — John Windmuller

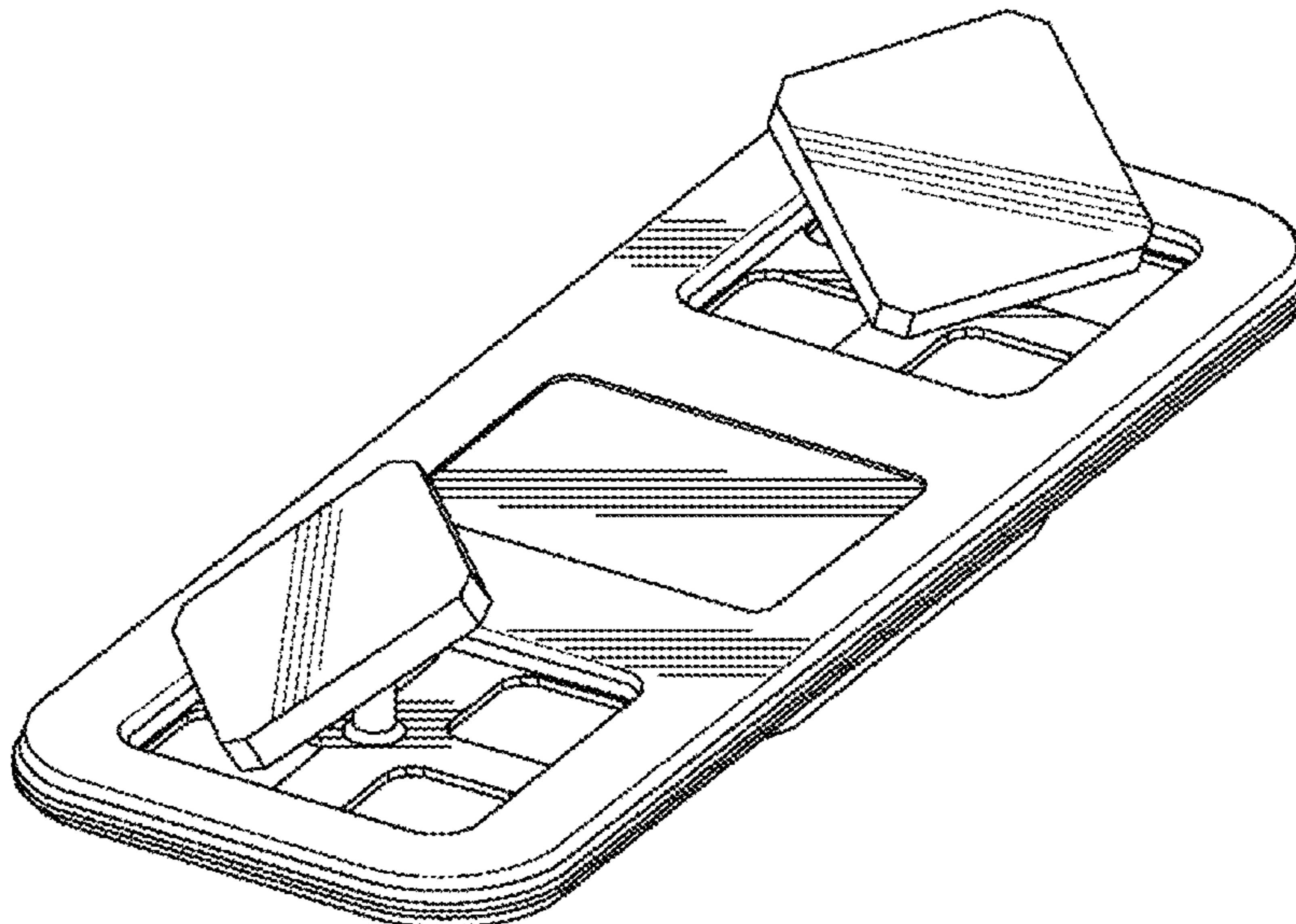
(57) **CLAIM**

The ornamental design for an antenna, as shown and described.

DESCRIPTION

FIG. 1 is a bottom perspective view of an antenna in accordance with our design;
FIG. 2 is a top perspective view of the antenna of FIG. 1;
FIG. 3 is a bottom view of the antenna of FIG. 1;
FIG. 4 is a side elevation view of the antenna of FIG. 1;
FIG. 5 is another side elevation view of the antenna of FIG. 1;
FIG. 6 is an end elevation view of the antenna of FIG. 1;
FIG. 7 is another end elevation view of the antenna of FIG. 1;
and,
FIG. 8 is a top view of the antenna of FIG. 1.

1 Claim, 6 Drawing Sheets



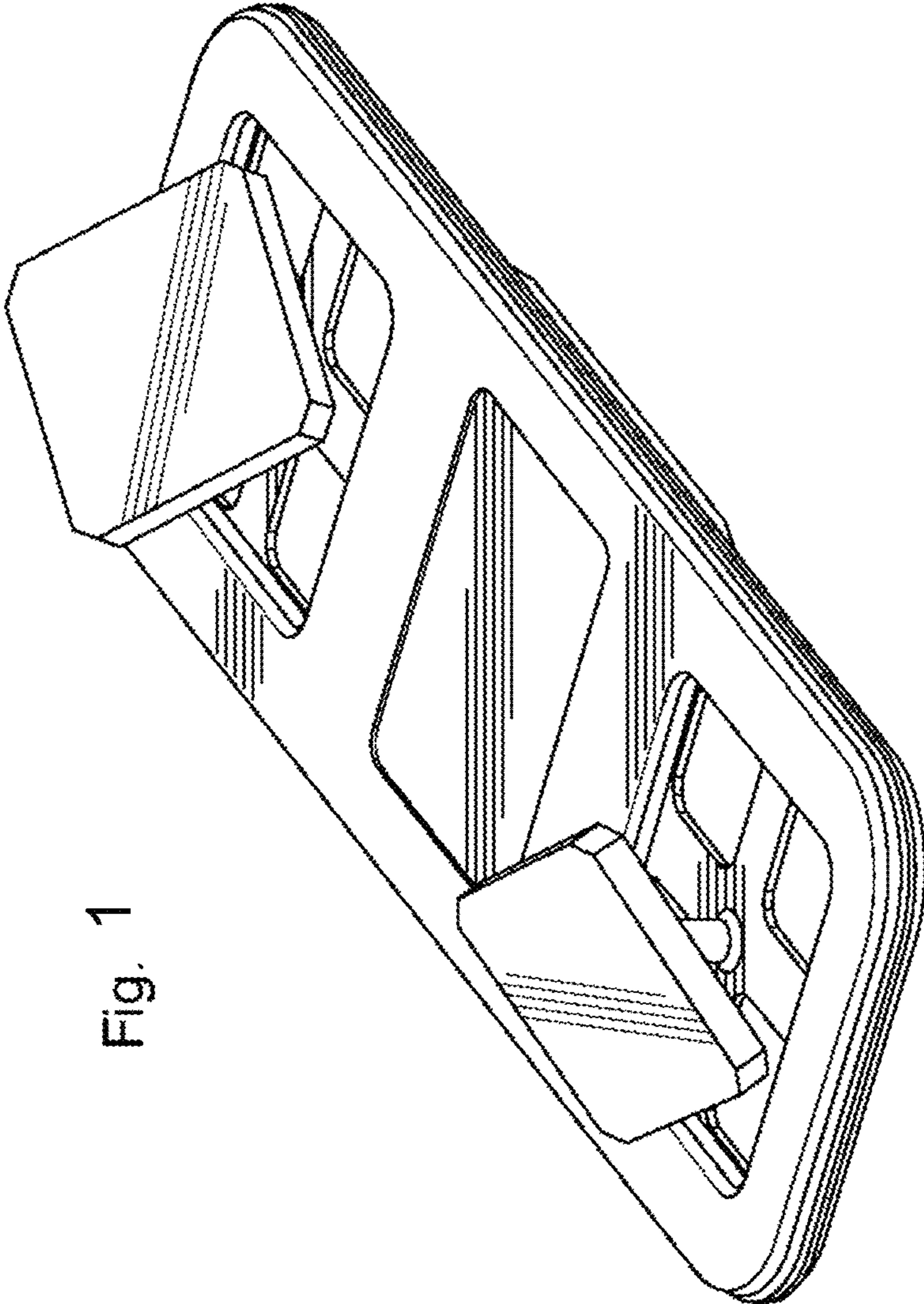


Fig. 1

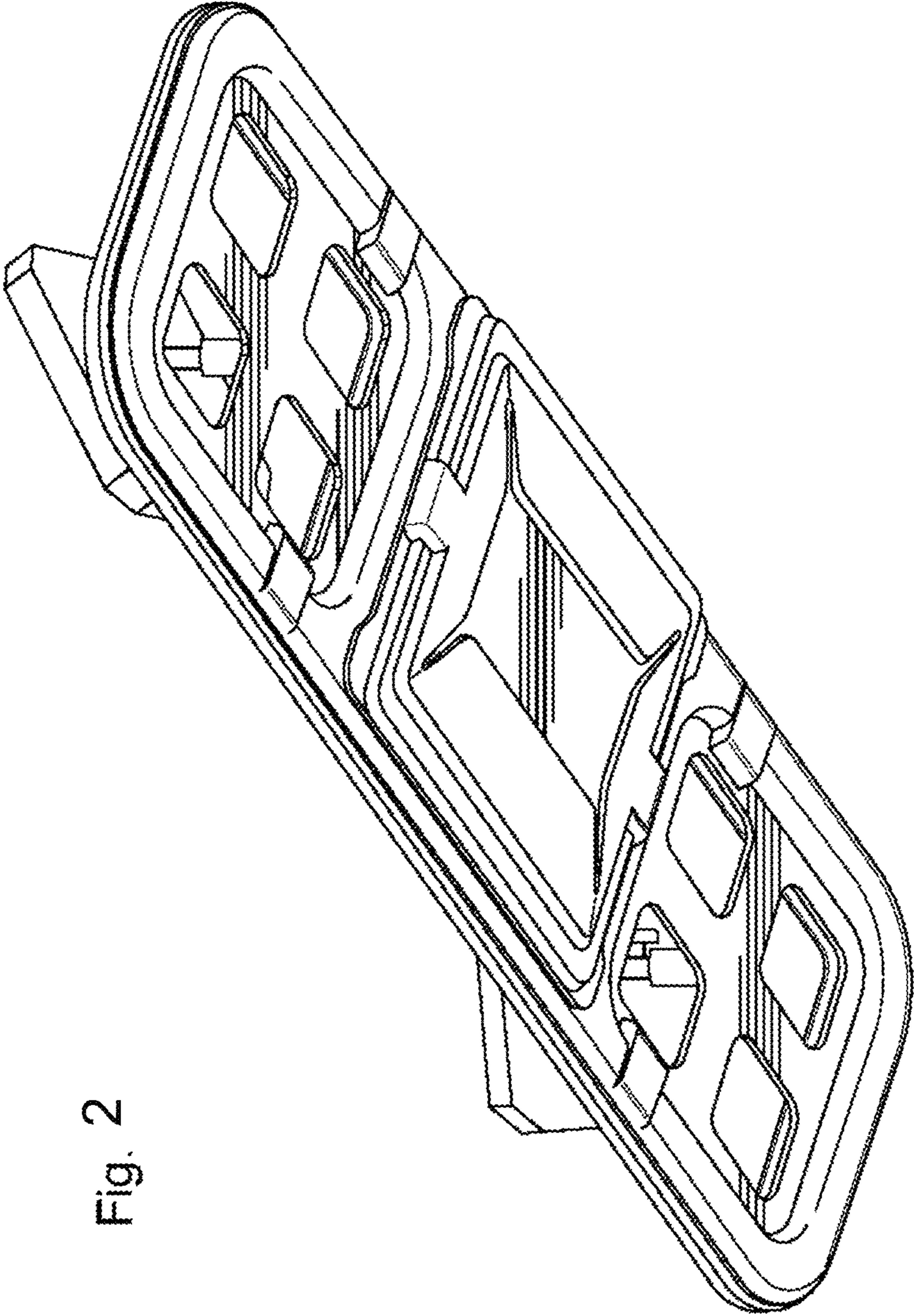


Fig. 2

Fig. 3

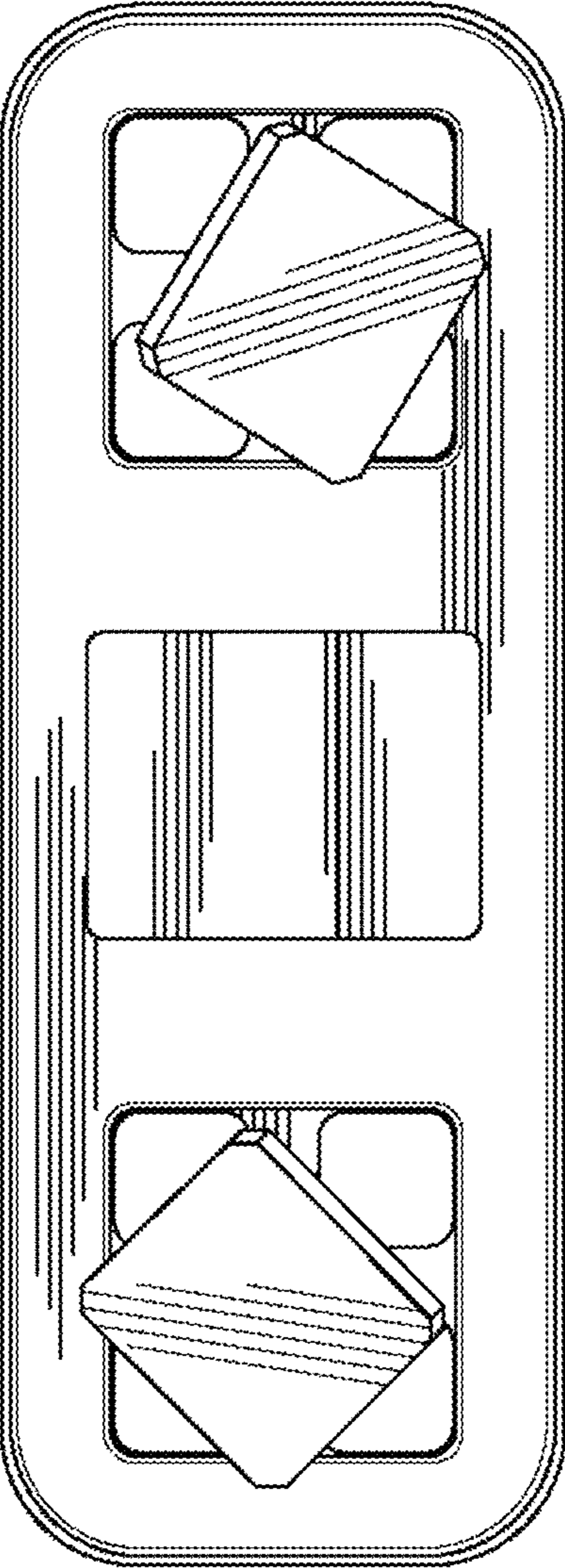


Fig. 4

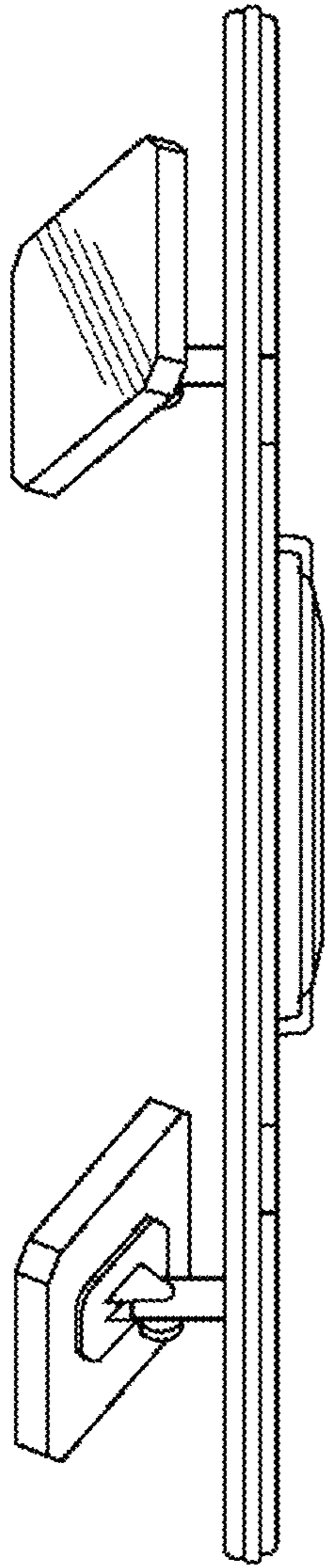
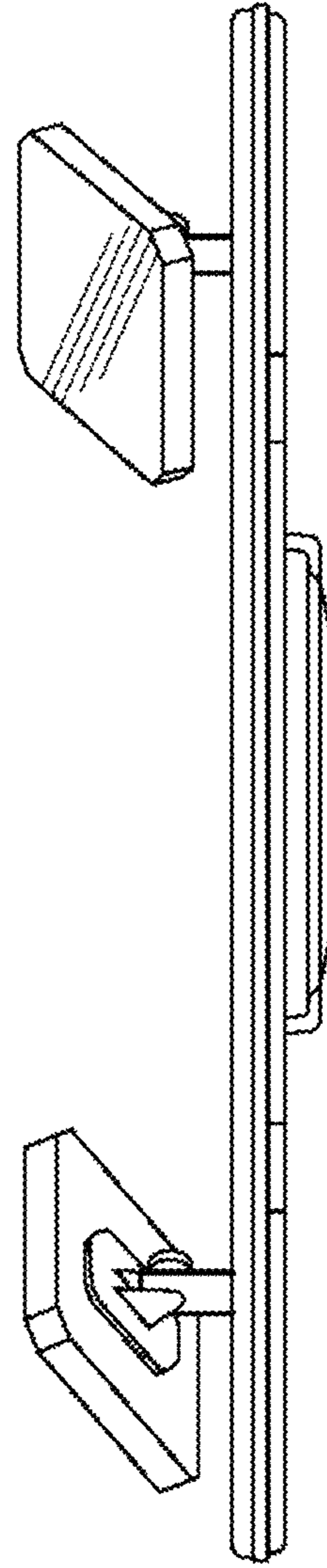


Fig. 5



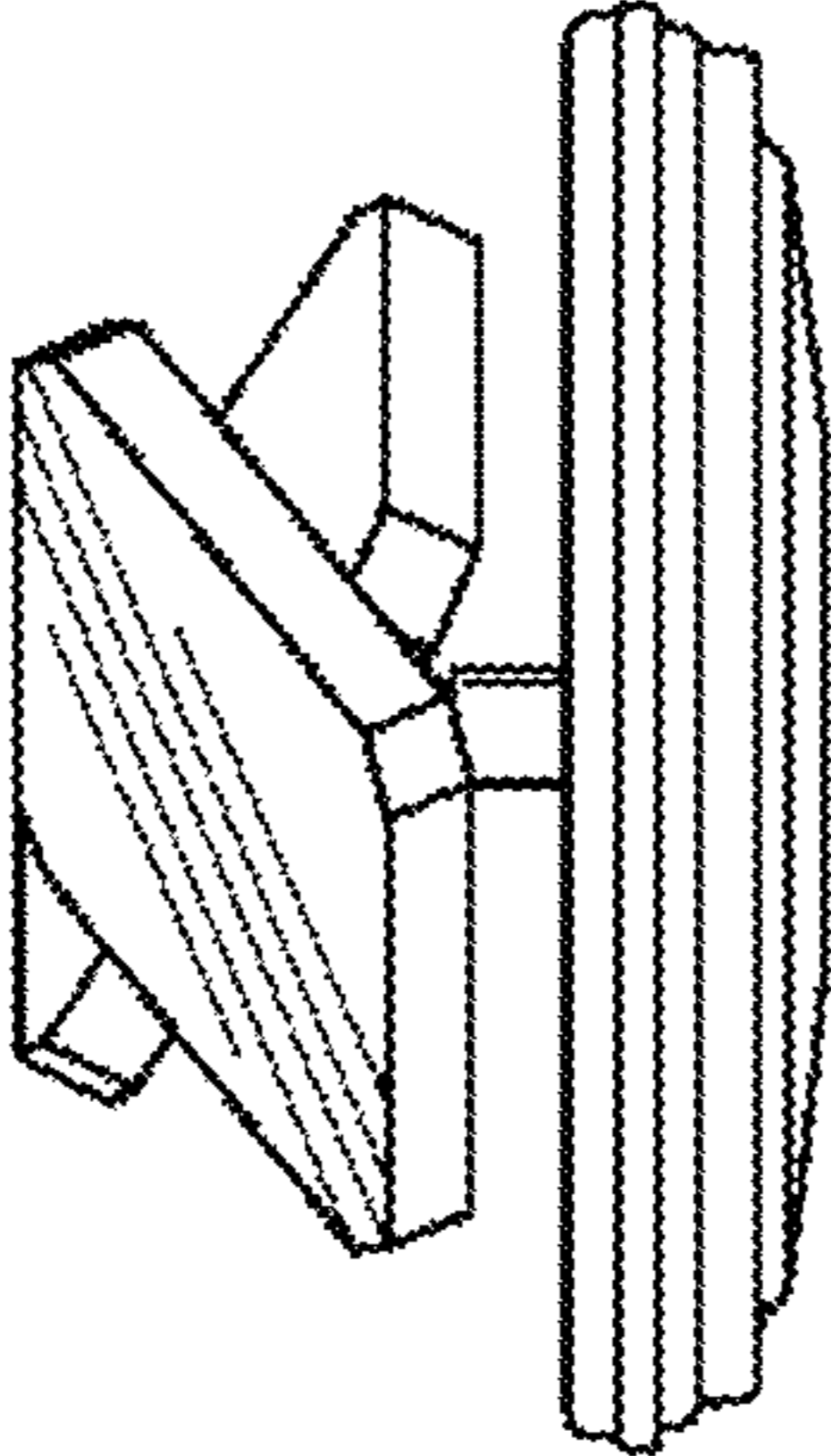


Fig. 6

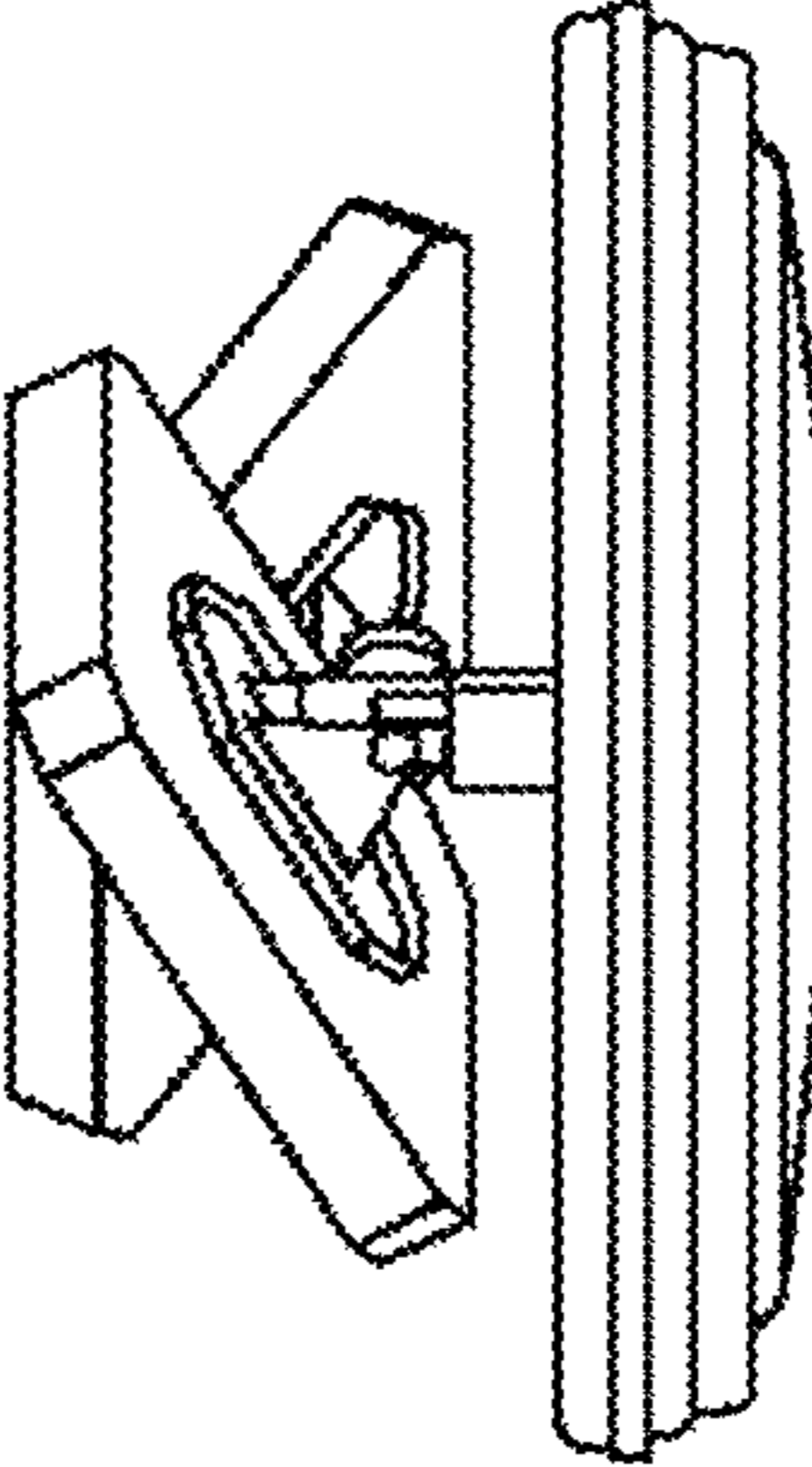


Fig. 7

Fig. 8

