



US00D709862S

(12) **United States Design Patent**
Metzger

(10) **Patent No.:** **US D709,862 S**

(45) **Date of Patent:** **** Jul. 29, 2014**

(54) **TRANSMITTER HOUSING**

(75) Inventor: **Eric Metzger**, Franklin, WI (US)

(73) Assignee: **Badger Meter, Inc.**, Milwaukee, WI (US)

(**) Term: **14 Years**

(21) Appl. No.: **29/420,461**

(22) Filed: **May 9, 2012**

(51) **LOC (10) Cl.** **14-03**

(52) **U.S. Cl.**
USPC **D14/217**

(58) **Field of Classification Search**
USPC D13/107, 108, 163, 164; D14/162, D14/167-169, 171, 172, 175, 188, 194, D14/196-198, 203.1-203.8, 204, 207, D14/210-217, 221, 222, 257, 258, 265, 496, D14/498-511; 84/625, 660, 697; 181/143, 181/144, 145, 147, 148, 153, 157, 198, 181/199; 360/99.02, 99.07; 369/75.11, 369/77.11, 77.21; 381/119, 300, 301, 306, 381/332, 333, 336, 345, 361-364; 455/344, 455/350; 720/601, 612, 619, 649, 655
See application file for complete search history.

(56) **References Cited**

U.S. PATENT DOCUMENTS

D328,297 S *	7/1992	Ayers	D14/171
D348,384 S	7/1994	Karsten		
D358,392 S *	5/1995	Yamazaki	D14/213
D394,860 S *	6/1998	Kitsmiller et al.	D14/214
6,326,543 B1 *	12/2001	Lamp et al.	174/546
D497,355 S *	10/2004	Bhavnani	D14/194
D580,913 S *	11/2008	Omori et al.	D14/215
D591,727 S *	5/2009	Lui	D14/216

D609,246 S *	2/2010	Wahl	D14/496
D626,949 S *	11/2010	Wahl et al.	D14/240
8,116,071 B2	2/2012	Showcatally		
8,386,261 B2 *	2/2013	Mellott et al.	704/270.1
2005/0230388 A1 *	10/2005	Wu	220/4.02

OTHER PUBLICATIONS

Master Meter, Inc, Dialog 3G Troubleshooting Guide, 2 pages, Rev Aug. 26, 2005.
Itron, 60 Series Water Endpoint, 2 pages, Copyright 2011.
Itron, 100W Water Communication Module, 4 pages, Copyright 2012.
Mueller Systems, Integral Hot Rod, 2 pages, Nov. 9, 2010.

* cited by examiner

Primary Examiner — Stella Reid
Assistant Examiner — Janice Lim
(74) *Attorney, Agent, or Firm* — Boyle Fredrickson, S.C.

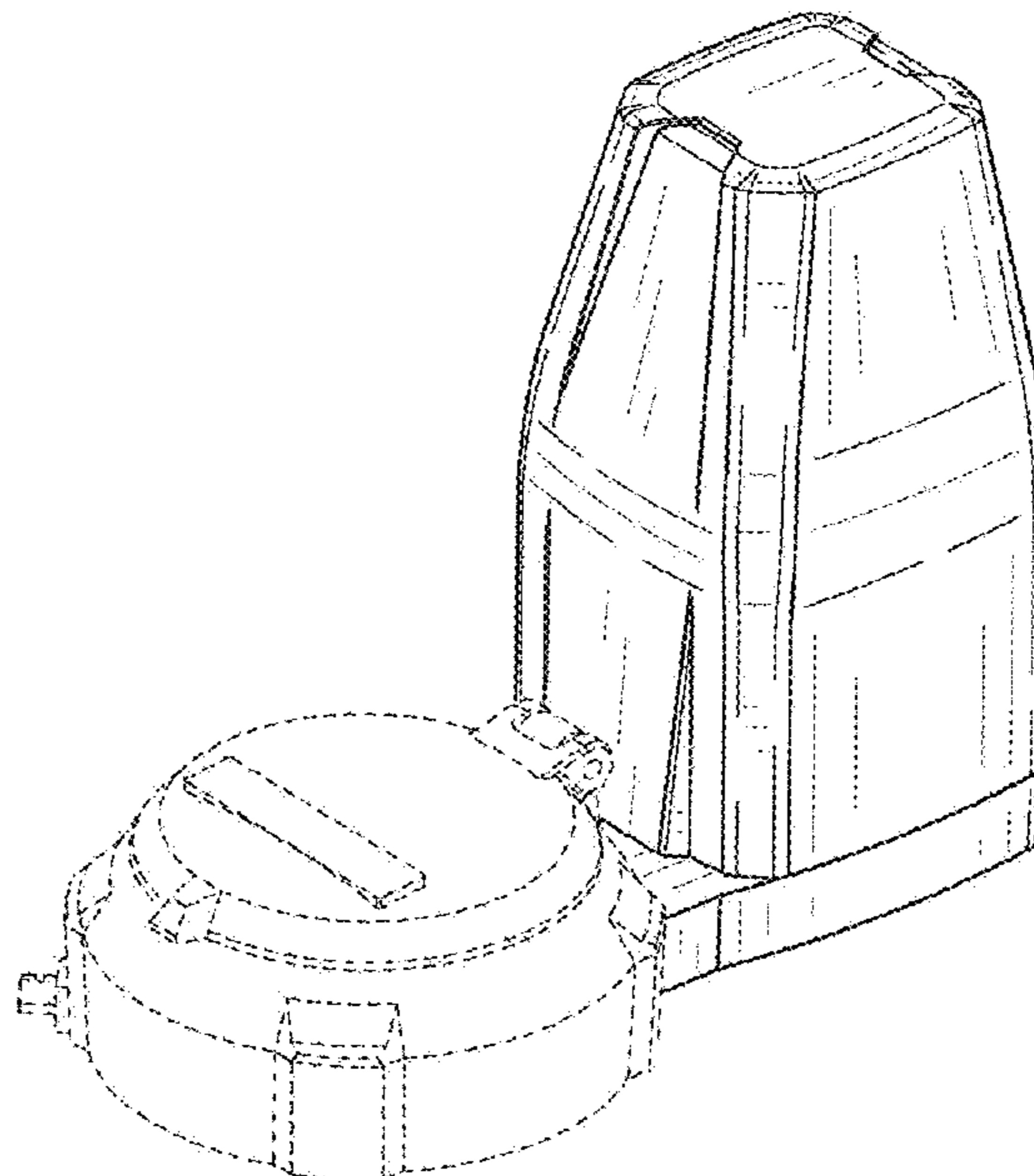
(57) **CLAIM**

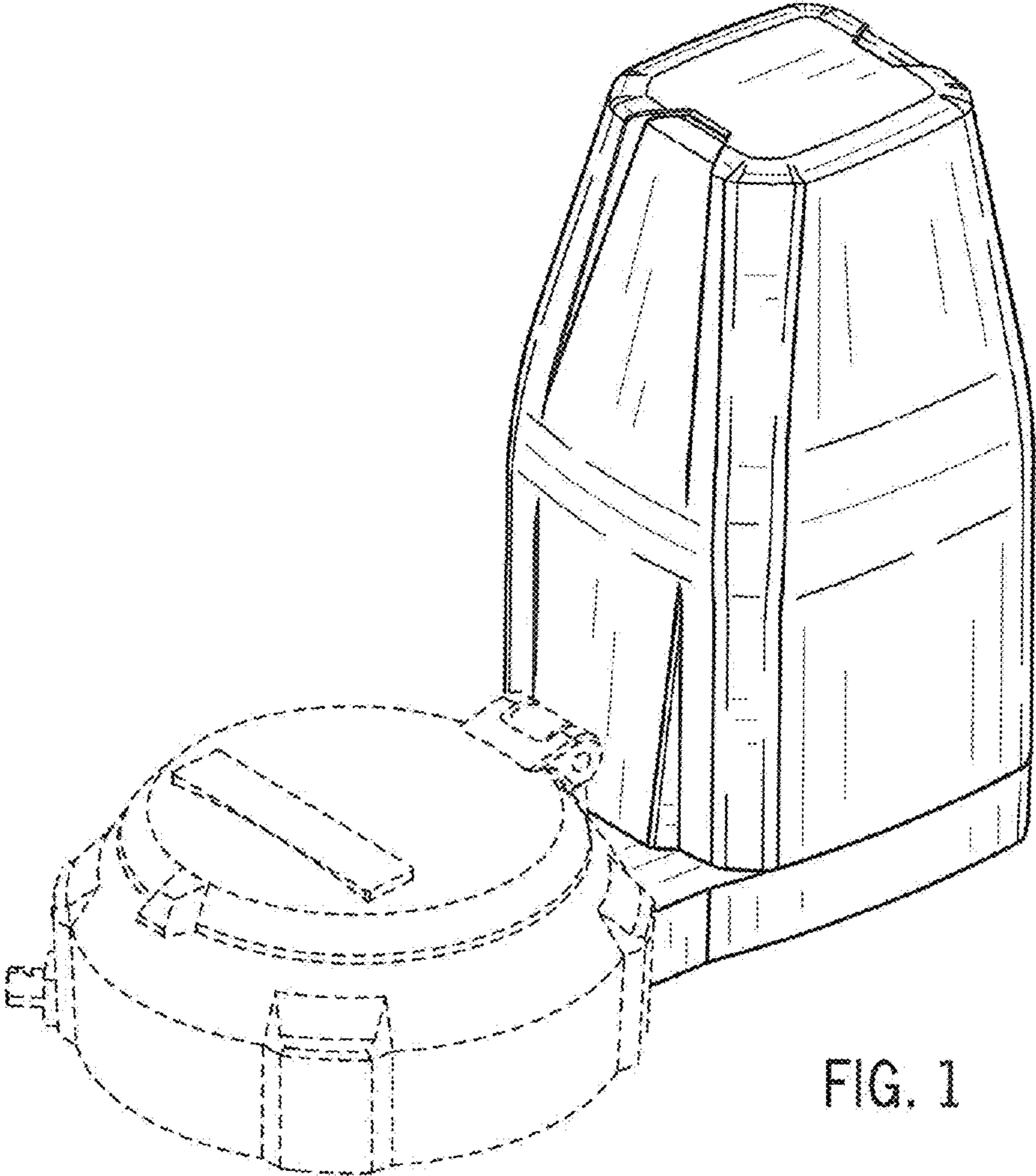
The ornamental design for a transmitter housing, as shown and described.

DESCRIPTION

FIG. 1 is a top perspective view of a transmitter housing, showing my new design;
FIG. 2 is a right side view thereof;
FIG. 3 is a front view thereof;
FIG. 4 is a top view thereof;
FIG. 5 is a left side view thereof;
FIG. 6 is a rear view thereof; and,
FIG. 7 is a bottom view thereof.
The broken lines depict environmental subject matter that forms no part of the claimed design.

1 Claim, 7 Drawing Sheets





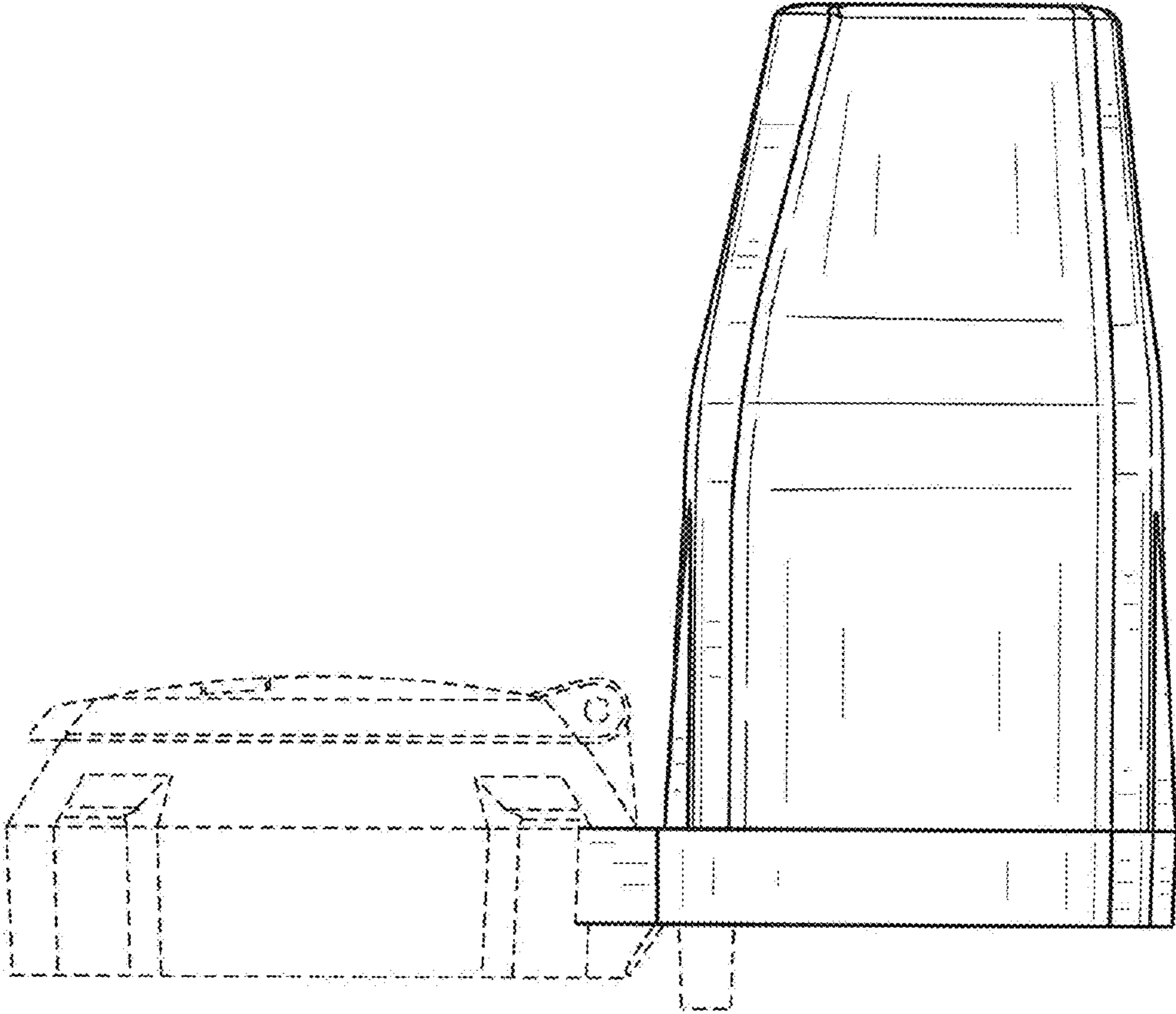


FIG. 2

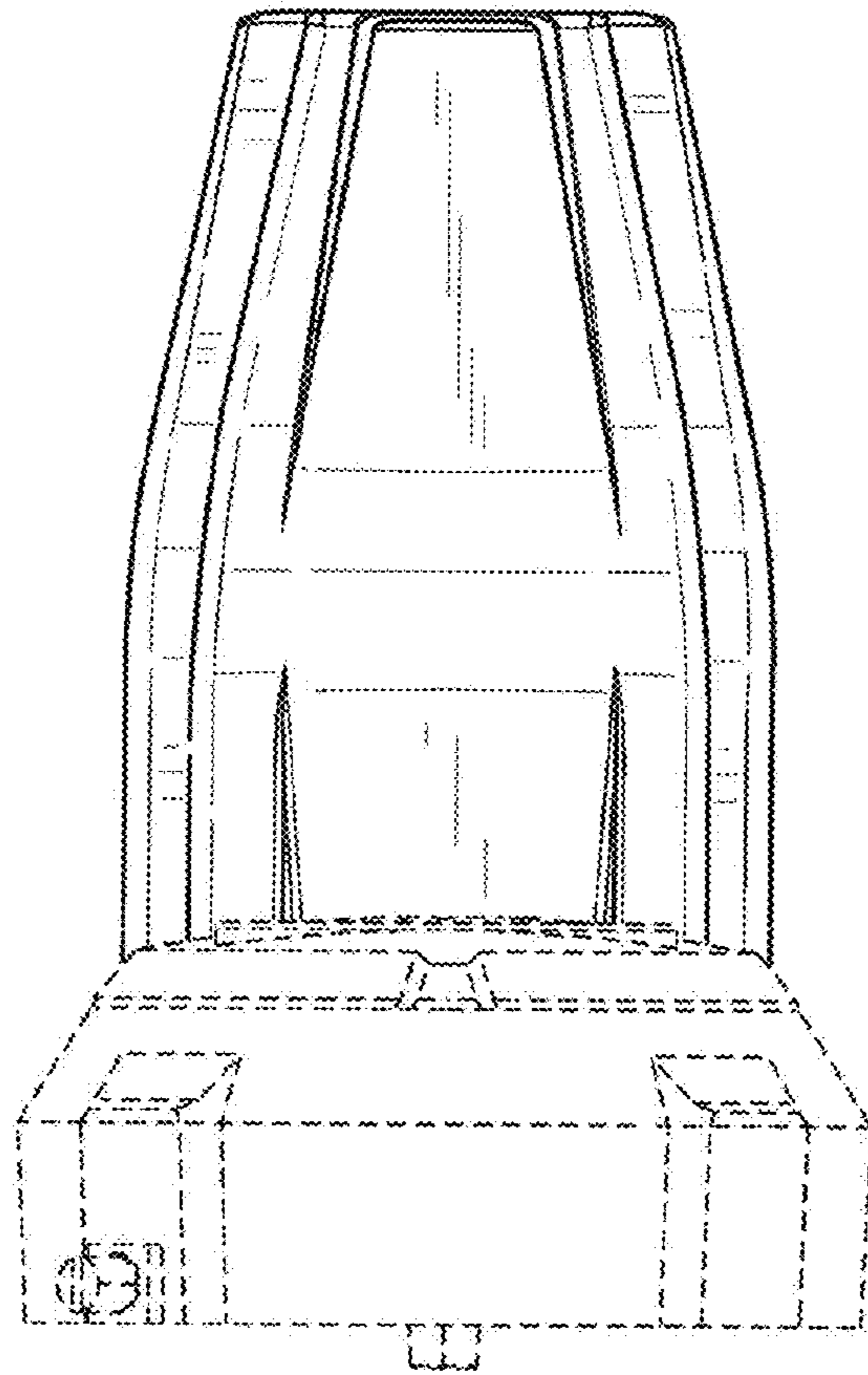


FIG. 3

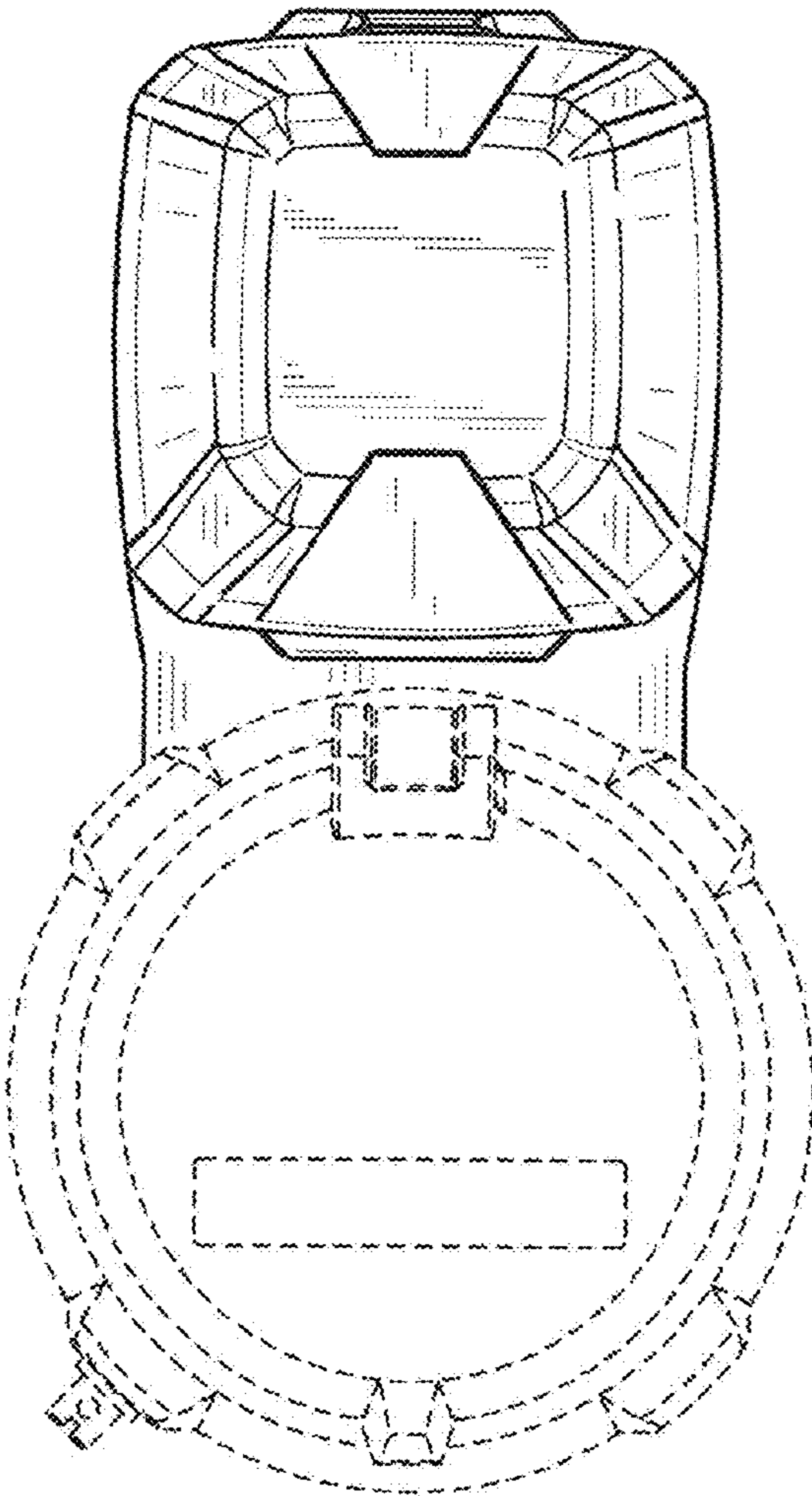


FIG. 4

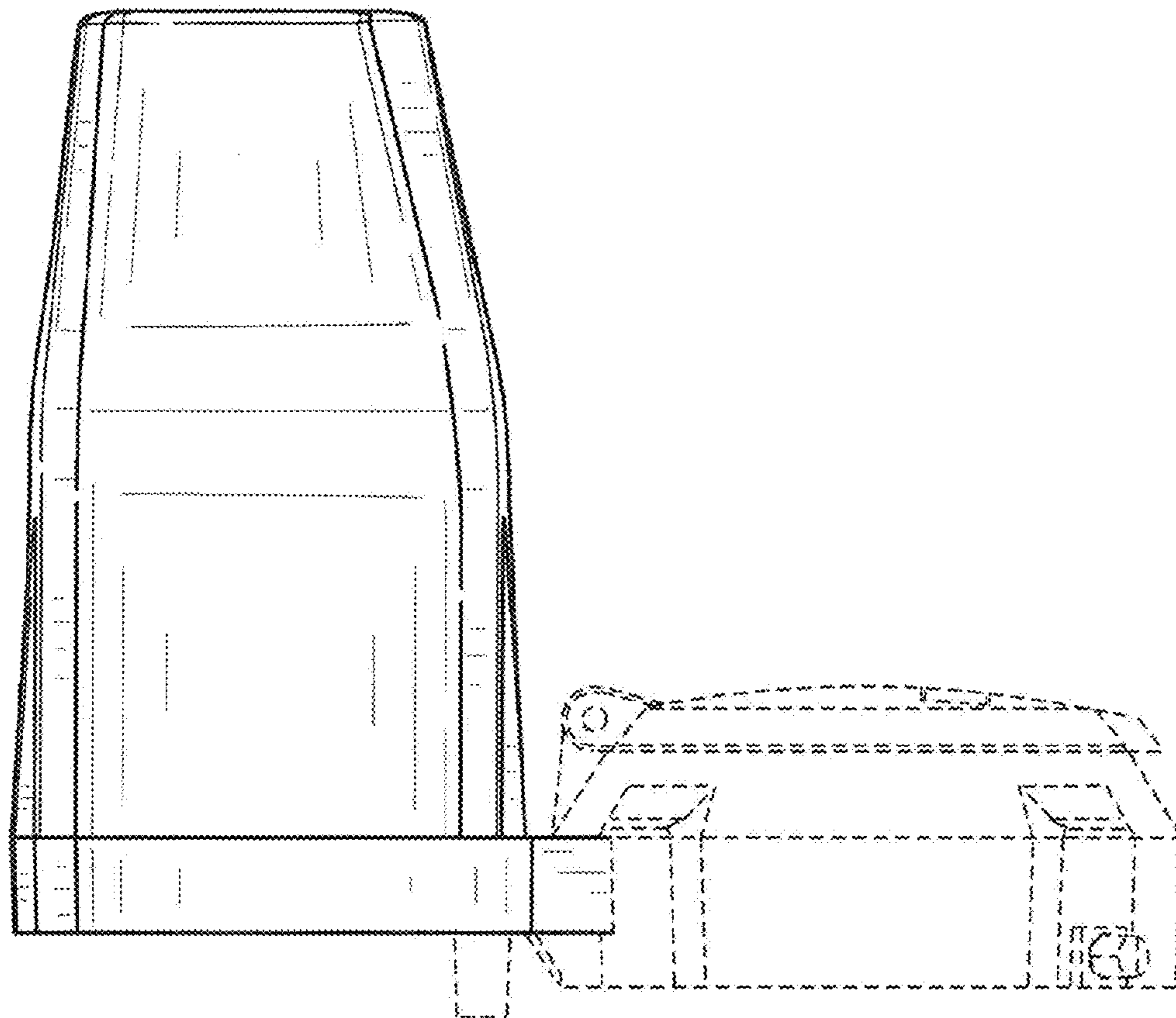


FIG. 5

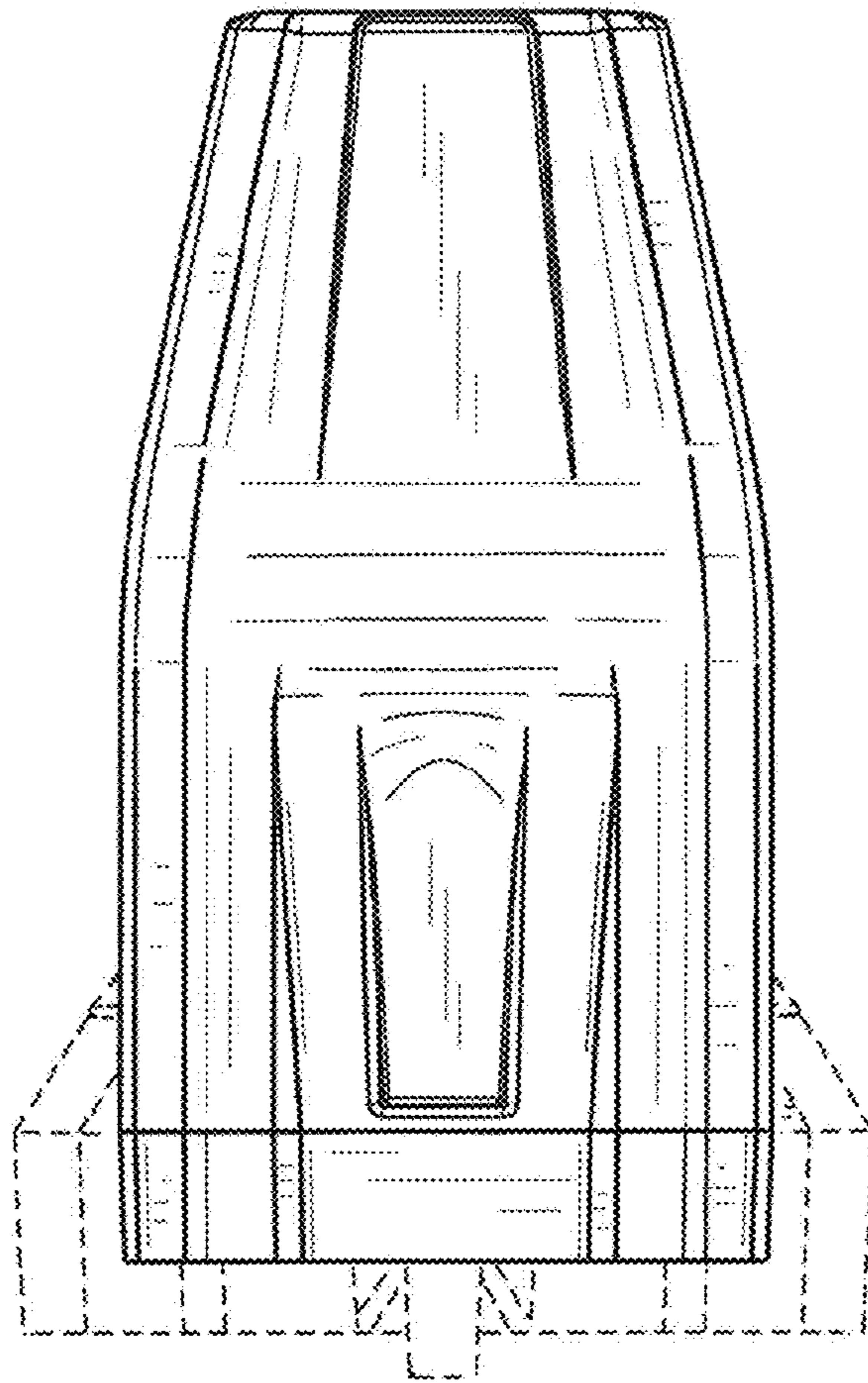


FIG. 6

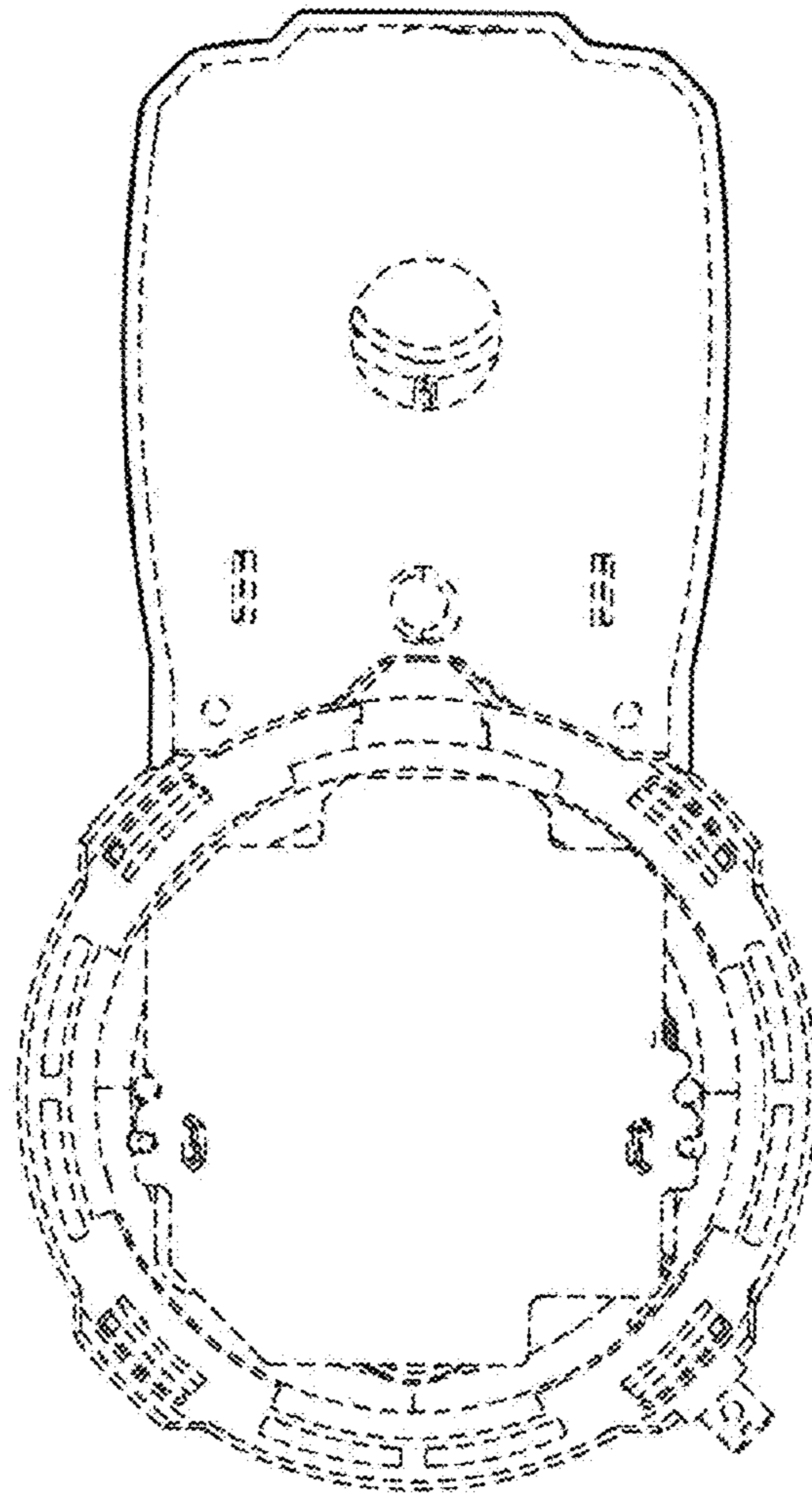


FIG. 7