



US00D709858S

(12) **United States Design Patent**  
**Kim**

(10) **Patent No.:** **US D709,858 S**  
(45) **Date of Patent:** **\*\* Jul. 29, 2014**

(54) **CLOCK RADIO WITH DOCK FOR ELECTRONIC DEVICE**

(71) Applicant: **Min S. Kim**, Palisades Park, NJ (US)

(72) Inventor: **Min S. Kim**, Palisades Park, NJ (US)

(73) Assignee: **SDI Technologies, Inc.**, Rahway, NJ (US)

(\*\*) Term: **14 Years**

(21) Appl. No.: **29/468,767**

(22) Filed: **Oct. 3, 2013**

(51) **LOC (10) Cl.** ..... **14-03**

(52) **U.S. Cl.**  
USPC ..... **D14/171**

(58) **Field of Classification Search**

CPC ..... G04G 17/00; G04G 17/08; G04G 21/04;  
G11B 31/003; H04B 1/06; H04B 1/08;  
H04B 1/086; H04M 1/04; H04M 1/21;  
H04R 2203/00; H04R 2400/00; H04W 4/02;  
H04W 4/06  
USPC ..... D14/137, 155, 168, 170, 171, 188,  
D14/193-198, 203.1-203.8, 204, 208,  
D14/209.1, 210-217, 221, 224.1, 251, 496;  
D10/2, 15; 312/7.1; 369/6-12;  
370/342-344; 455/90.1-90.3,  
455/344-351; 361/814; 368/10, 316, 317;  
D13/107, 108

See application file for complete search history.

(56) **References Cited**

U.S. PATENT DOCUMENTS

D561,165	S	*	2/2008	Hocherman et al.	.....	D14/171
D603,368	S	*	11/2009	Jang	.....	D14/194
D633,474	S	*	3/2011	Ohashi	.....	D14/209.1
D639,275	S	*	6/2011	Silvera	.....	D14/209.1
D645,840	S	*	9/2011	Silvera	.....	D14/171
D657,342	S	*	4/2012	Cao et al.	.....	D14/171

\* cited by examiner

*Primary Examiner* — Keli L Hill

(74) *Attorney, Agent, or Firm* — Ostrolenk Faber LLP

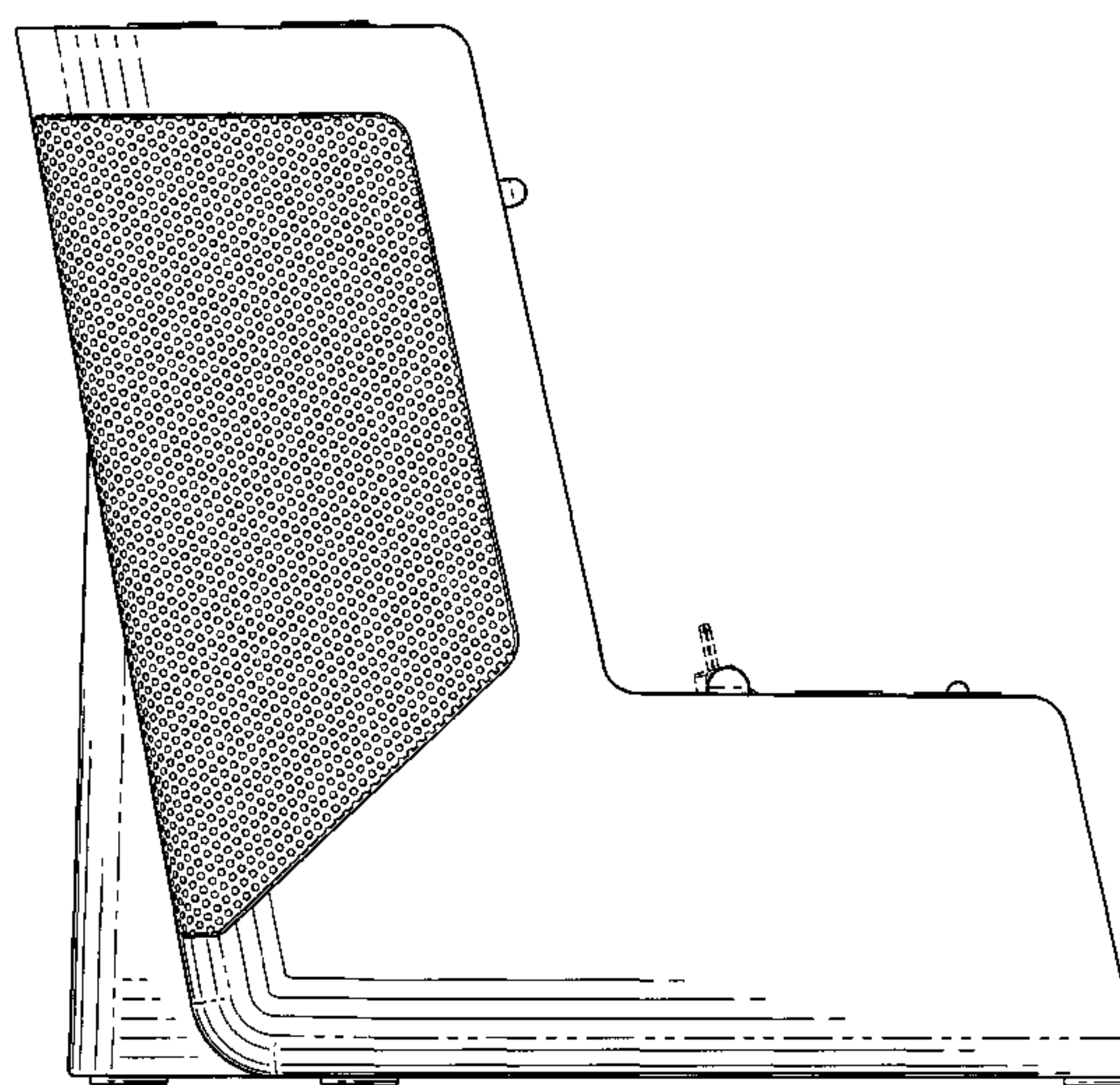
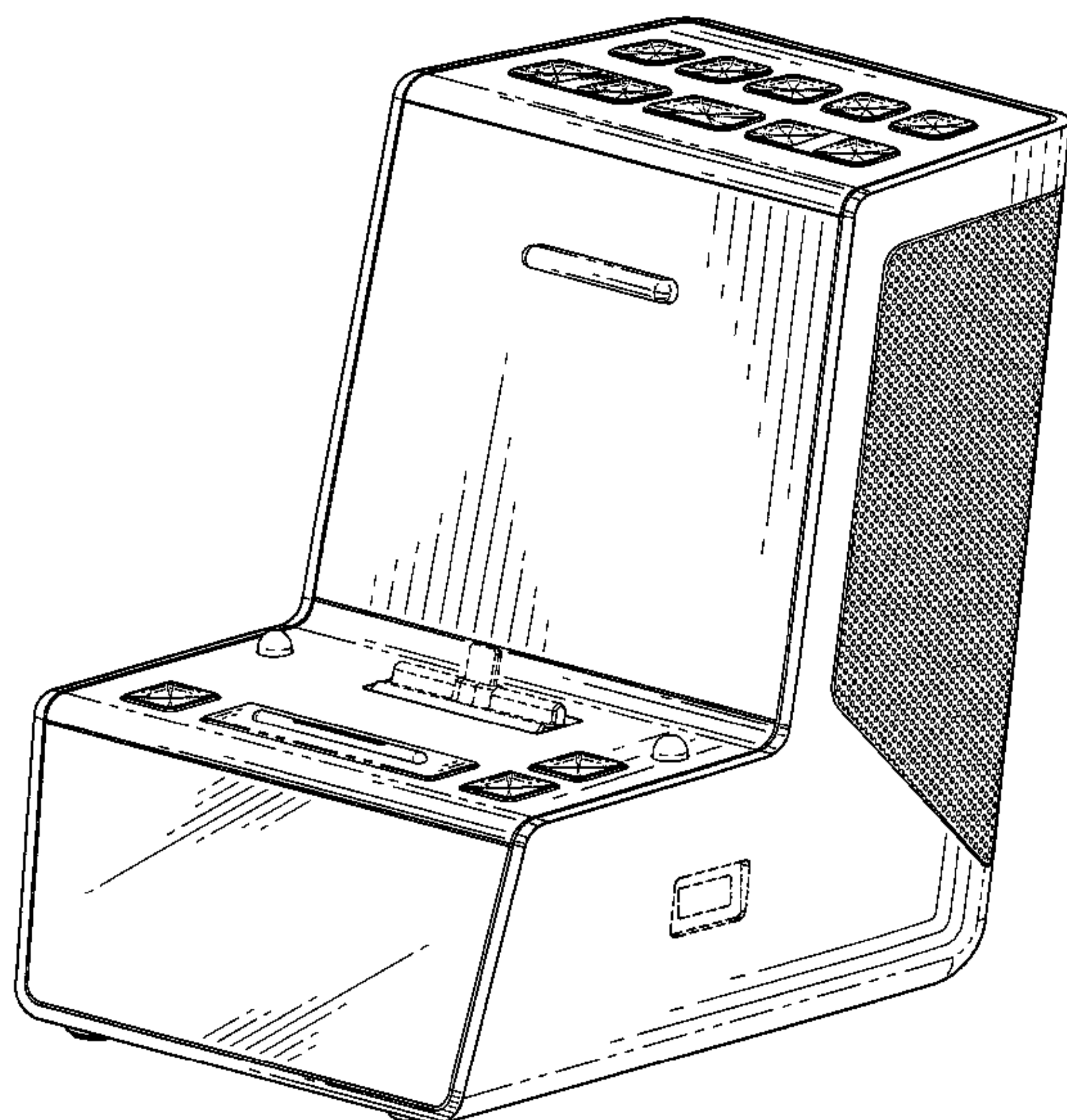
(57) **CLAIM**

The ornamental design for an clock radio with dock for electronic device, as shown and described.

**DESCRIPTION**

FIG. 1 is a top, front perspective view of an clock radio with dock for electronic device showing my new design;  
FIG. 2 is a front view thereof;  
FIG. 3 is a rear view thereof;  
FIG. 4 is a top view thereof;  
FIG. 5 is a bottom view thereof;  
FIG. 6 is a left side view thereof;  
FIG. 7 is a right side view thereof;  
FIG. 8 is a cross-sectional view along line 8-8 in FIG. 2;  
FIG. 9 is a cross-sectional view along line 9-9 in FIG. 3; and,  
FIG. 10 is a cross-sectional view along line 10-10 in FIG. 4.  
The broken lines in the drawings illustrate environmental material that forms no part of the claimed design.

**1 Claim, 10 Drawing Sheets**



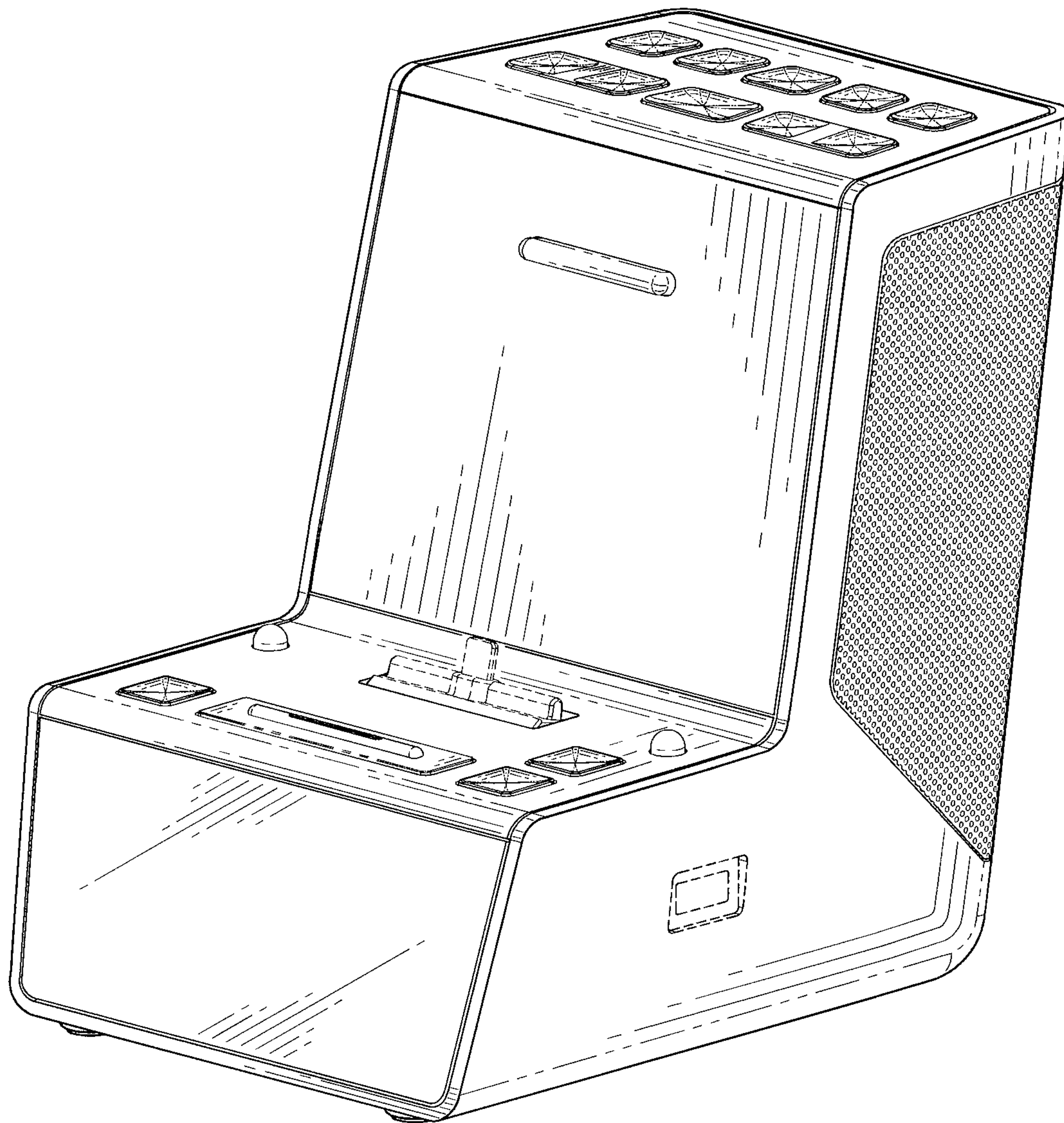


FIG. 1

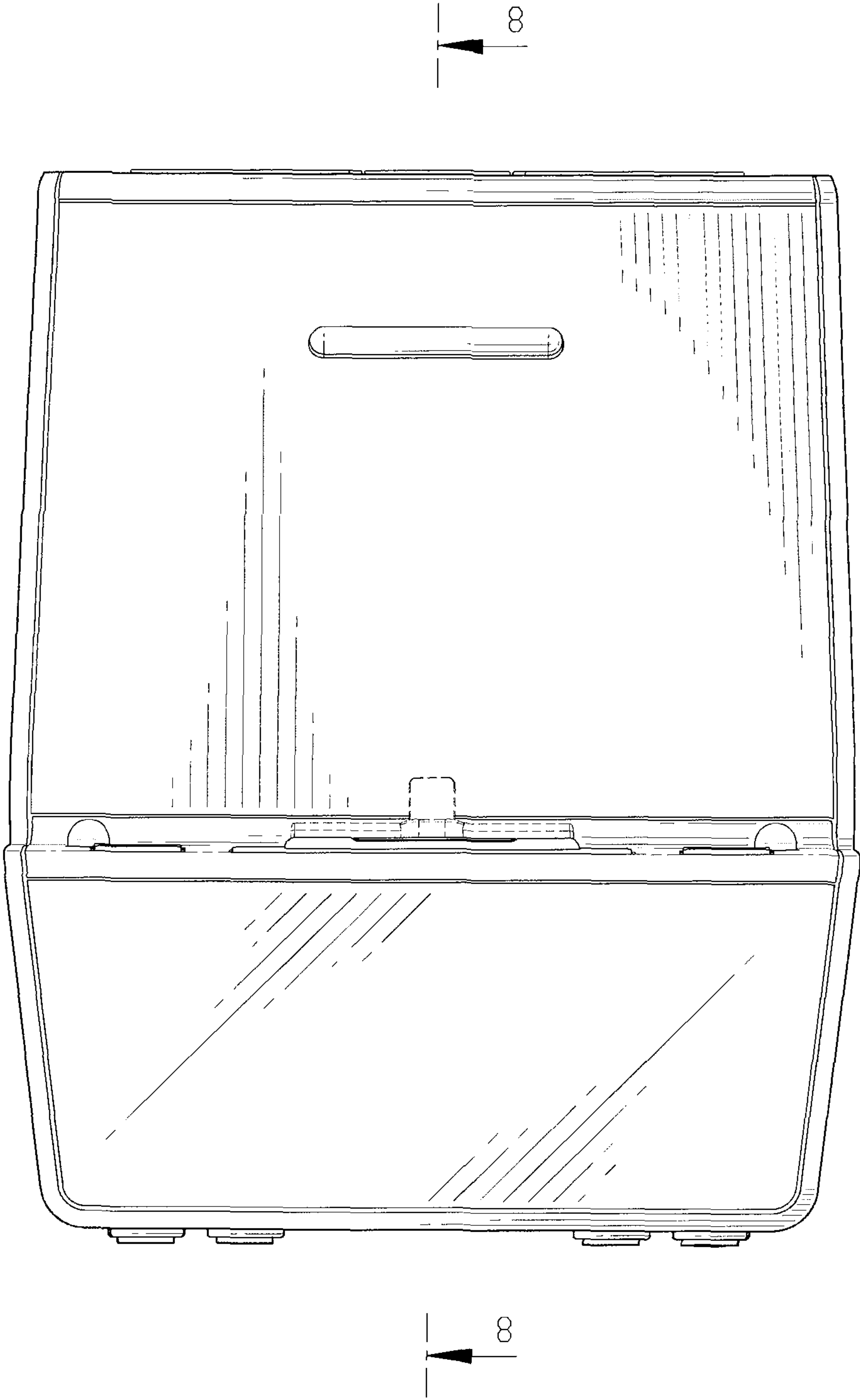


FIG. 2



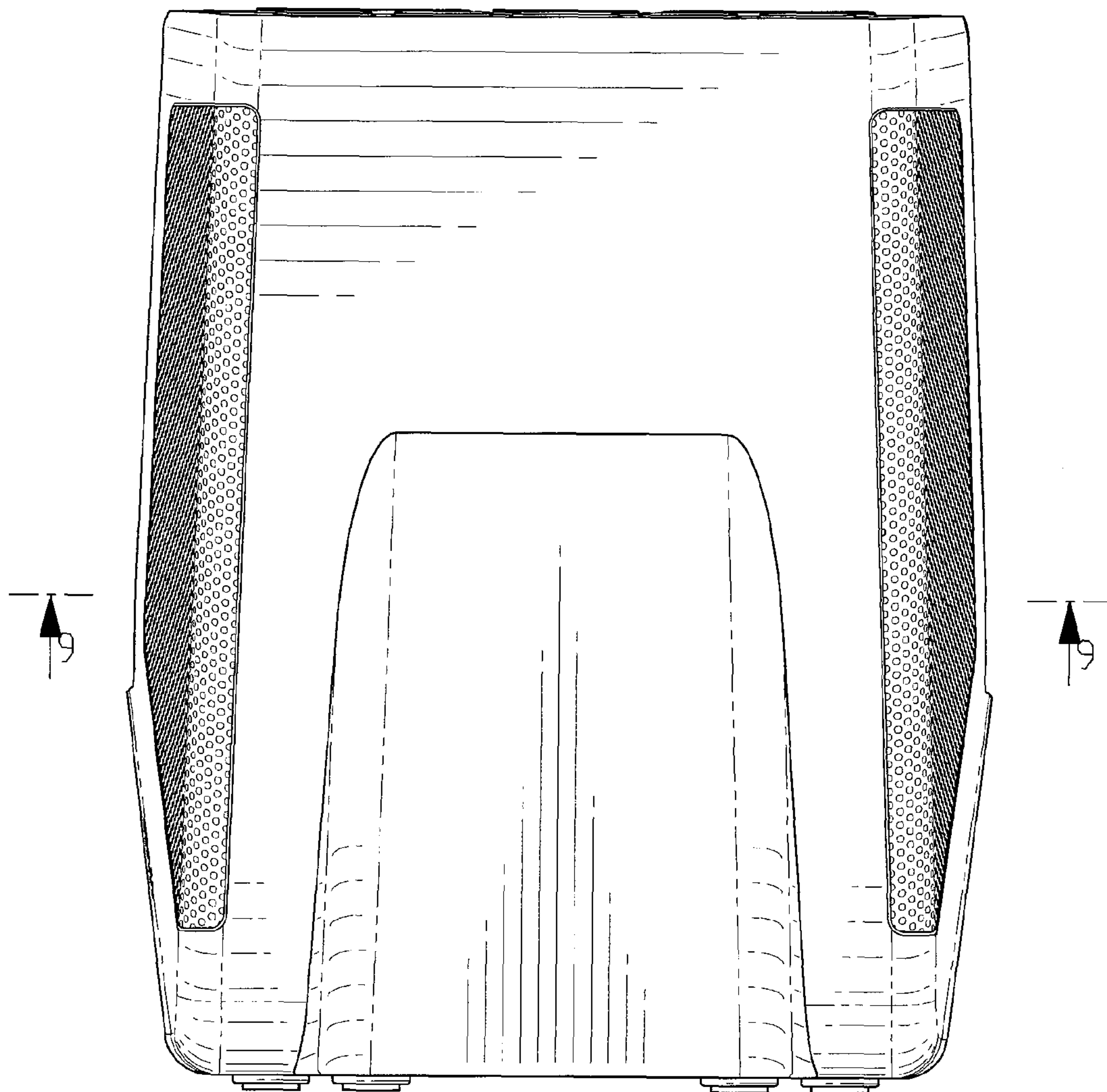


FIG. 3

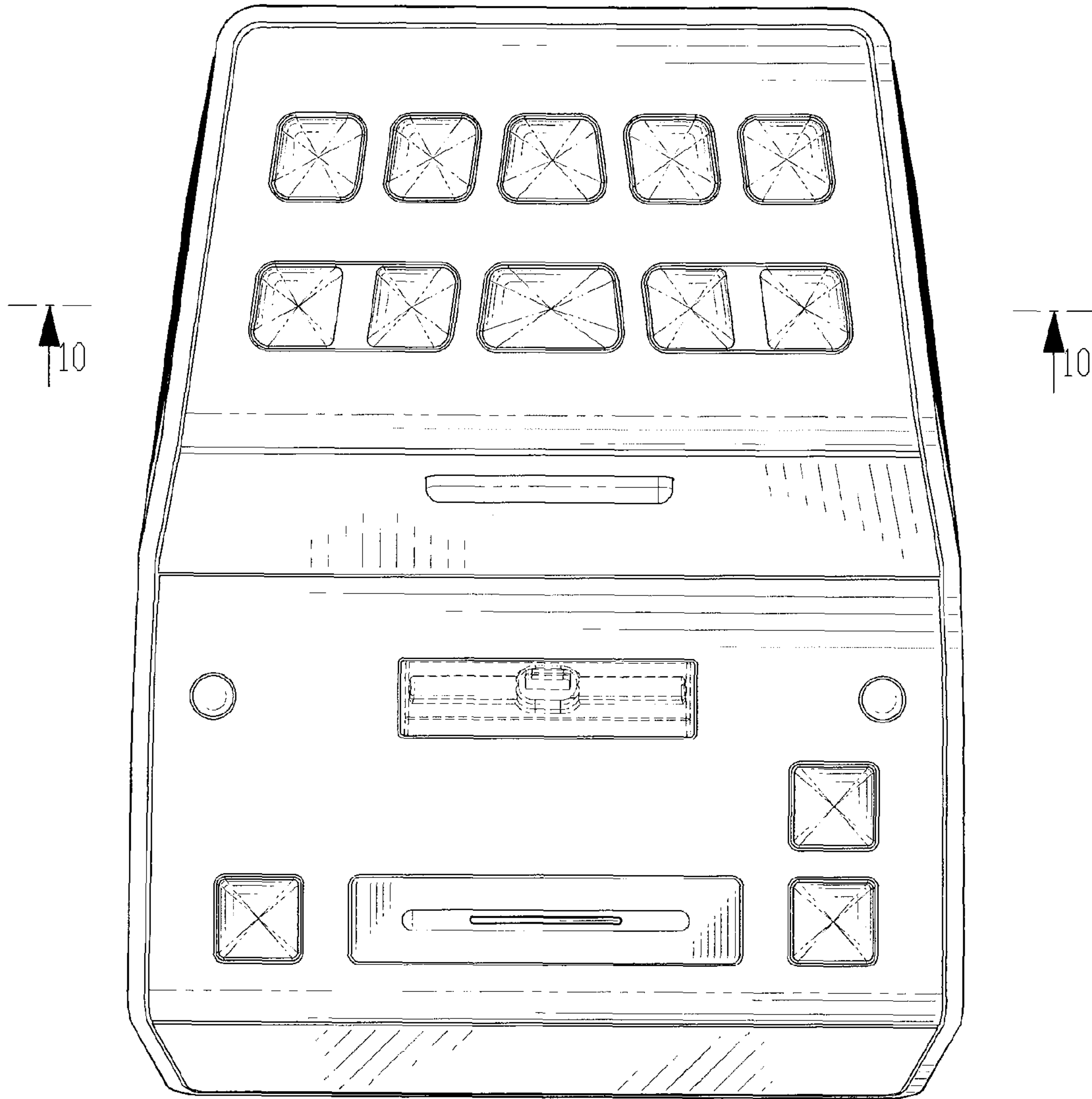


FIG. 4

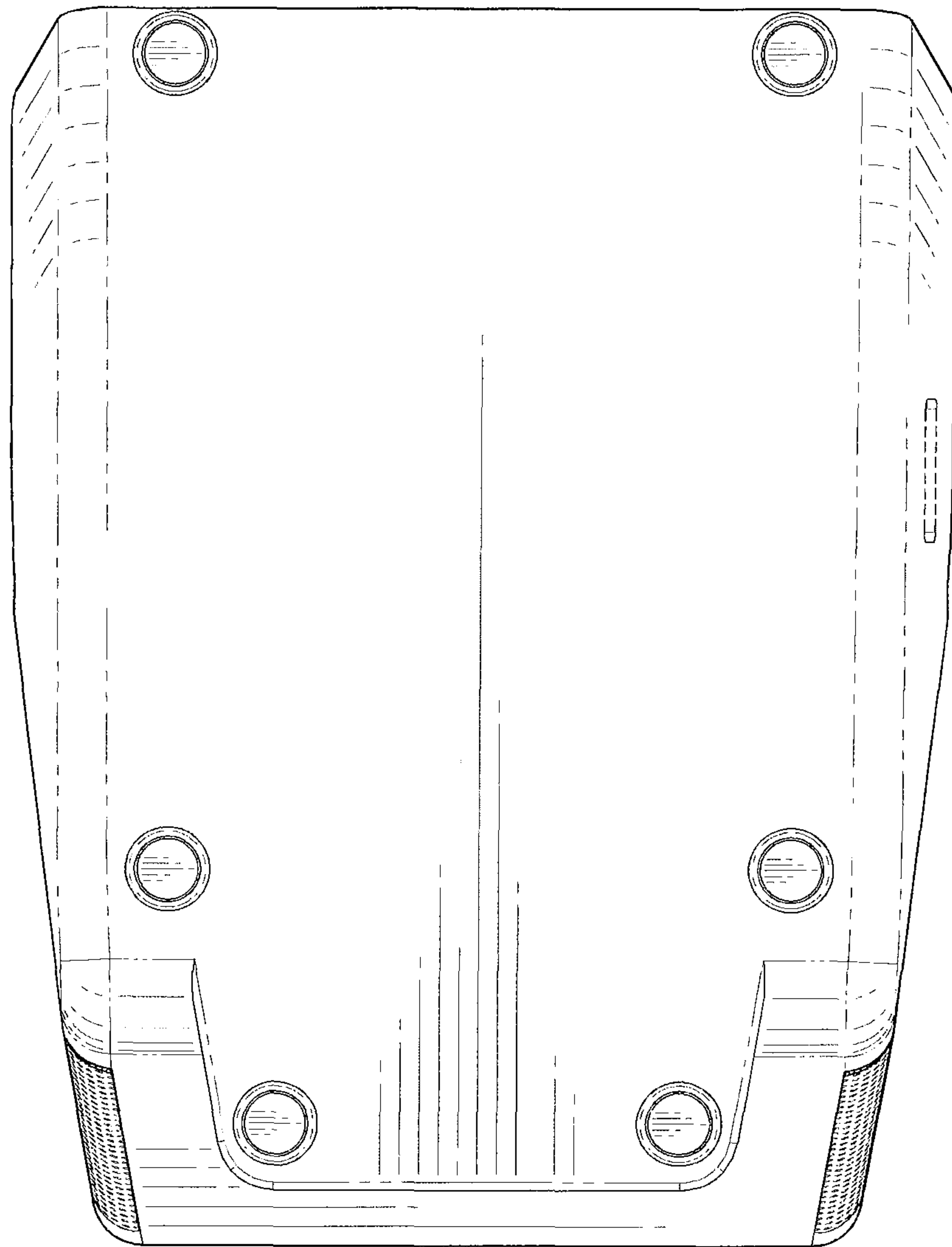


FIG. 5

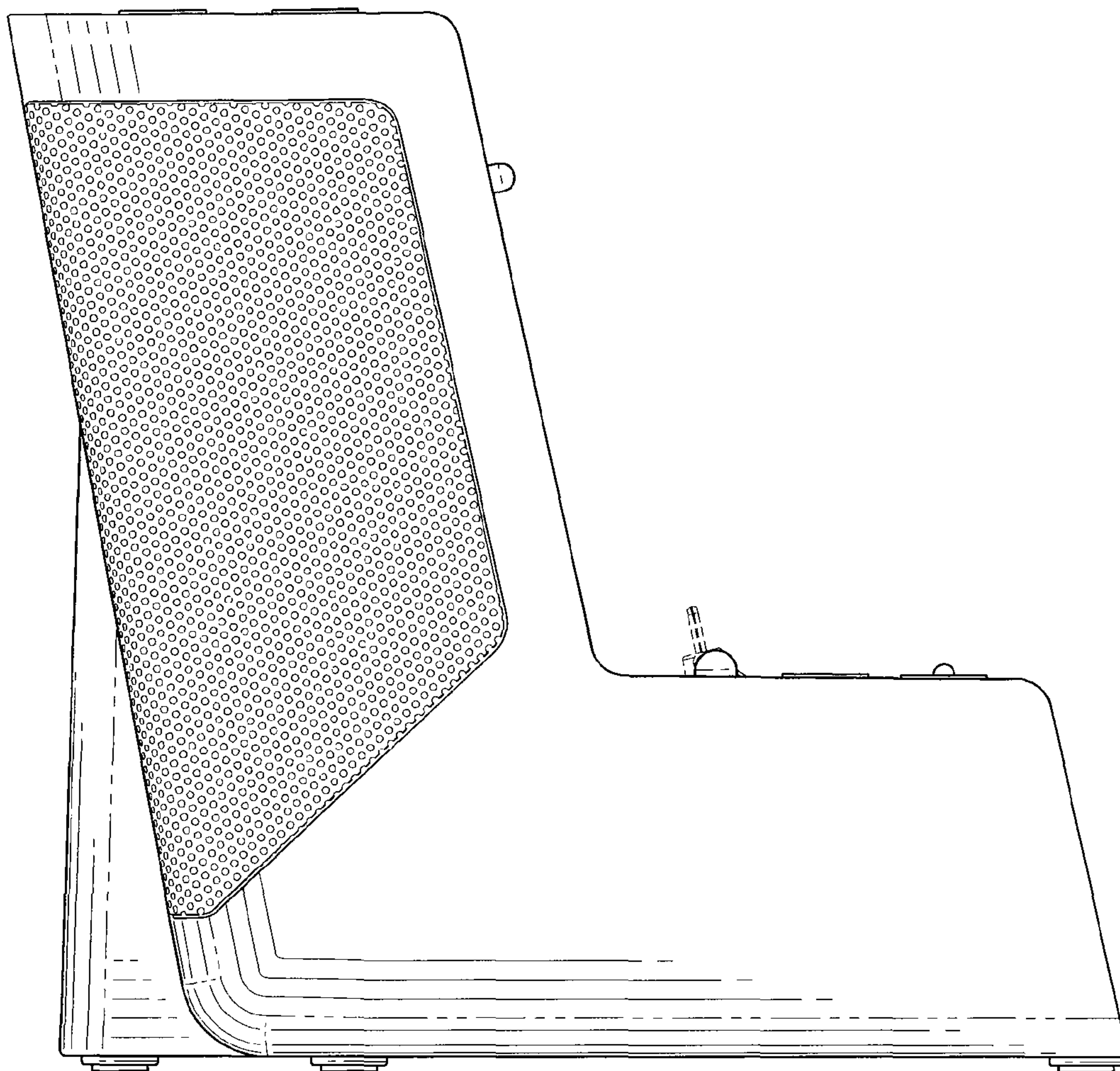


FIG. 6



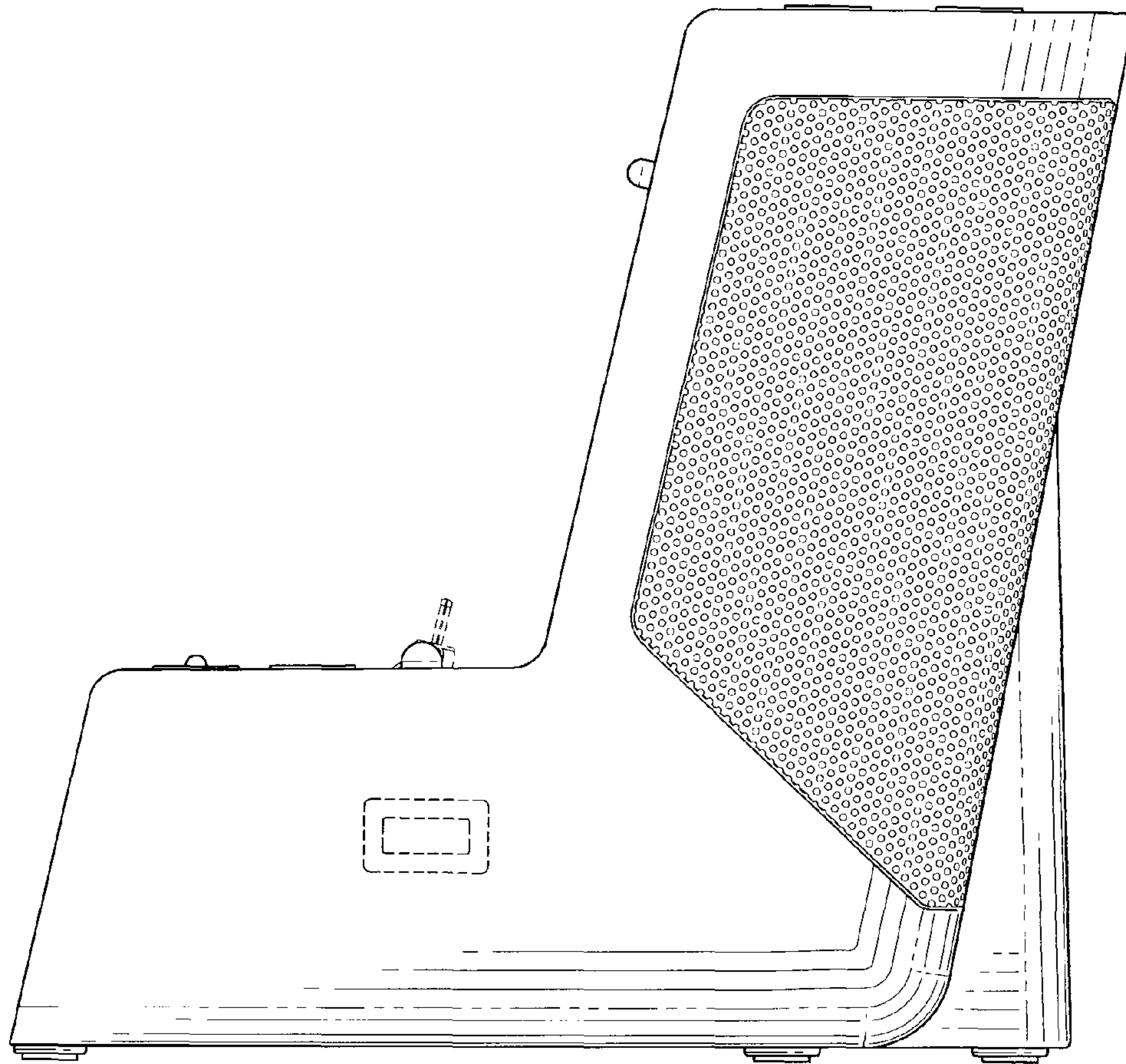


FIG. 7



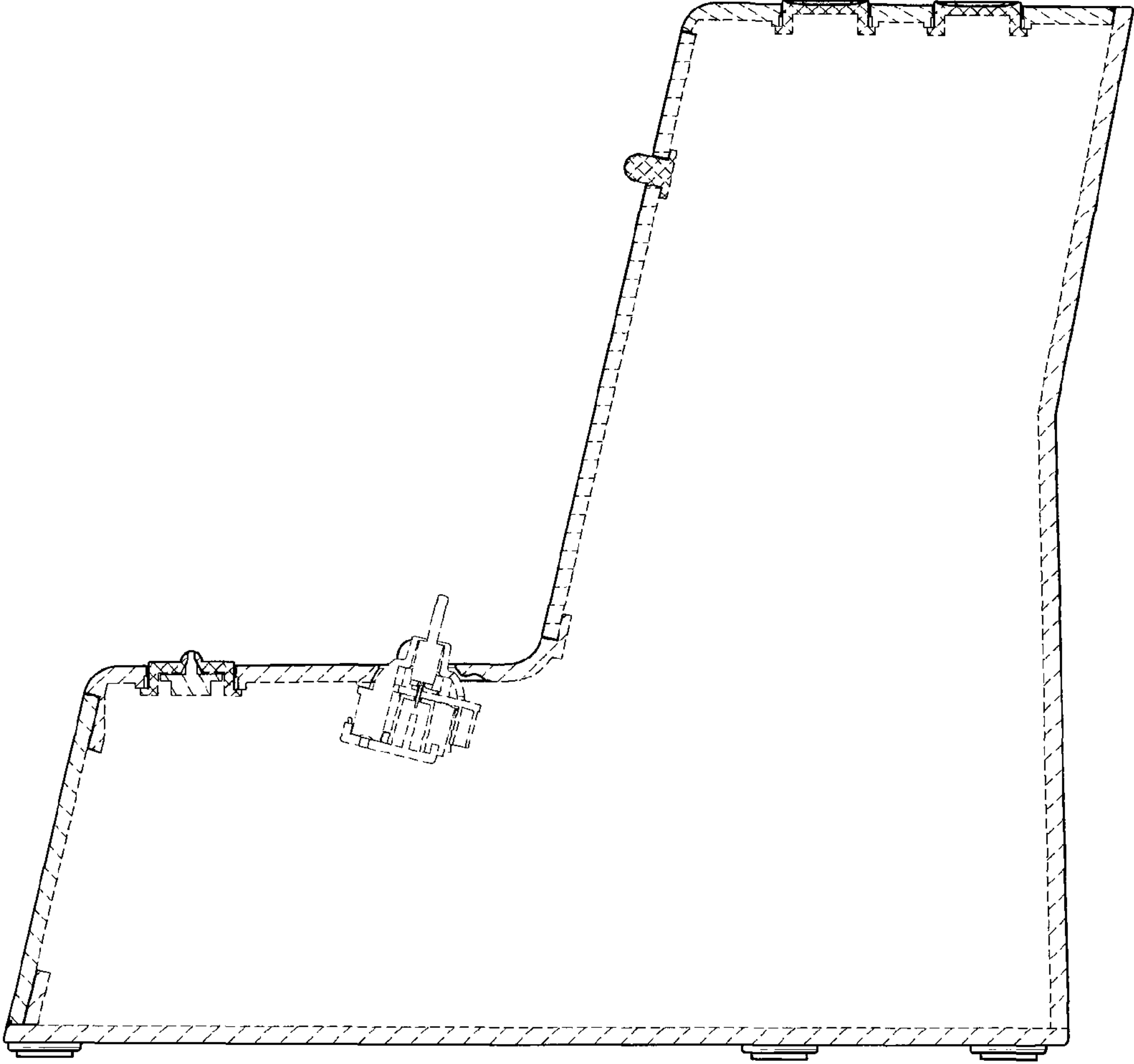


FIG. 8

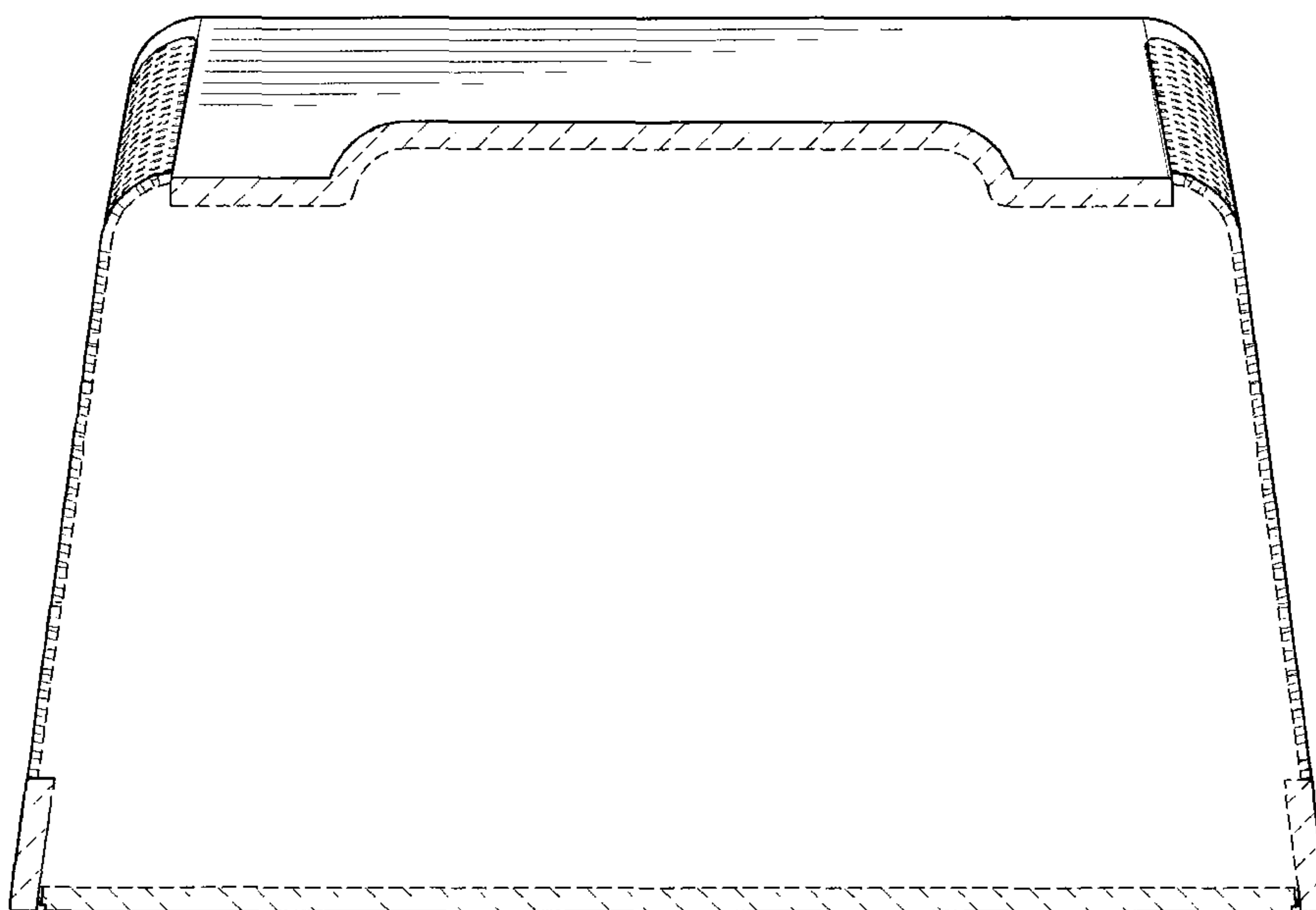


FIG. 9

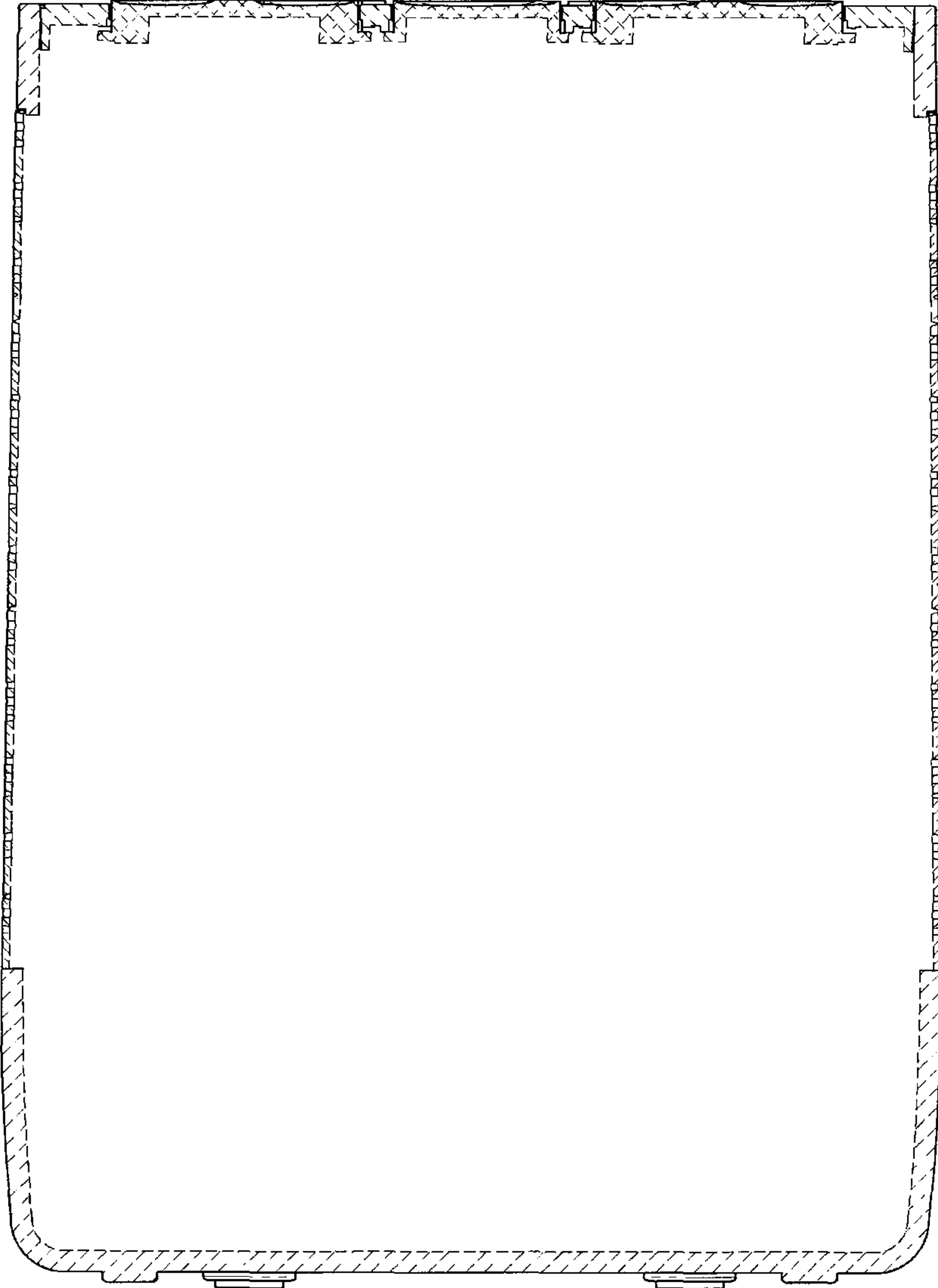


FIG. 10