



US00D709855S

(12) **United States Design Patent**
Jonas

(10) **Patent No.:** **US D709,855 S**
(45) **Date of Patent:** **** Jul. 29, 2014**

- (54) **CLOCK RADIO PHONE CHARGER**
- (71) Applicant: **WiTricity Corporation**, Watertown, MA (US)
- (72) Inventor: **Jude R. Jonas**, Hudson, NH (US)
- (73) Assignee: **WiTricity Corporation**, Watertown, MA (US)
- (**) Term: **14 Years**
- (21) Appl. No.: **29/471,408**
- (22) Filed: **Oct. 31, 2013**
- (51) **LOC (10) Cl.** **14-03**
- (52) **U.S. Cl.**
USPC **D14/168; D14/171; D13/107**
- (58) **Field of Classification Search**
CPC G04G 17/00; G04G 17/08; G04G 21/04;
G11B 31/003; H04B 1/06; H04B 1/08;
H04B 1/086; H04M 1/04; H04M 1/21;
H04R 2203/00; H04R 2400/00; H04W 4/02;
H04W 4/06
USPC D14/137, 155, 168, 170, 171, 188,
D14/193-198, 203.1-203.8, 204, 208,
D14/209.1, 210-217, 221, 224.1, 251, 496;
D10/2, 15; 312/7.1; 369/6-12;
370/342-344; 455/90.1-90.3,
455/344-351; 361/814; 368/10, 316, 317;
D13/107, 108

See application file for complete search history.

(56) **References Cited**

U.S. PATENT DOCUMENTS

D370,676 S *	6/1996	Sekita	D14/171
D483,349 S *	12/2003	Murakami	D14/215
D491,167 S *	6/2004	Yokoyama	D14/215
D560,684 S *	1/2008	Skurdal	D14/496
D561,741 S *	2/2008	Huang	D14/214
D585,424 S *	1/2009	Yoneda	D14/216
D587,245 S *	2/2009	Morra	D14/215
D587,686 S *	3/2009	Lee	D14/214
D625,288 S *	10/2010	Ueda	D14/209.1
D633,077 S *	2/2011	Miller	D14/168
D633,078 S *	2/2011	Lewis	D14/168
D651,193 S *	12/2011	Chang	D14/209.1
D689,460 S *	9/2013	Chen	D14/172

* cited by examiner

Primary Examiner — Keli L Hill

(74) *Attorney, Agent, or Firm* — GTC Law Group LLP & Affiliates

(57) **CLAIM**

An ornamental design for a clock radio phone charger, as shown and described.

DESCRIPTION

FIG. 1. is a top view of a design for a clock radio phone charger.

FIG. 2. is a front view of the design.

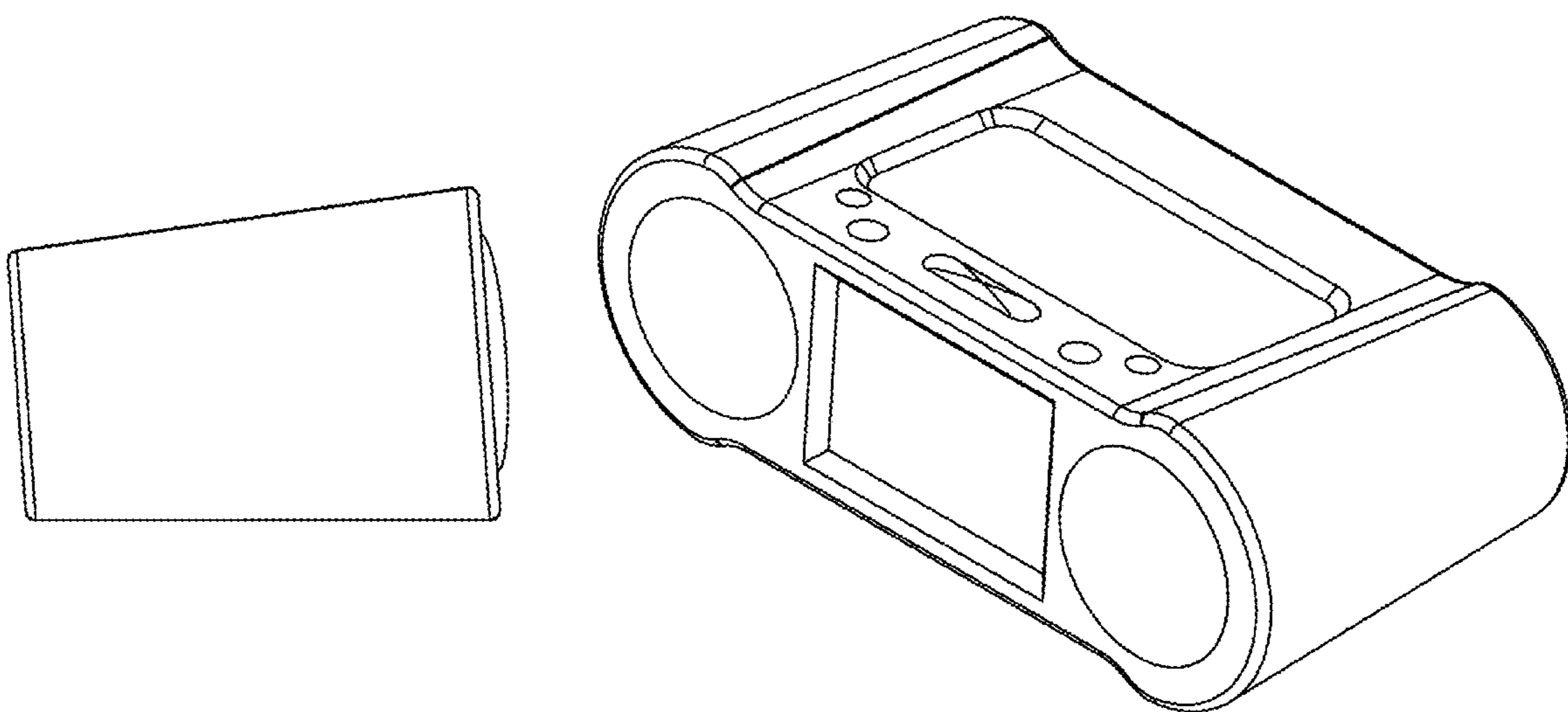
FIG. 3. is a right side of the design.

FIG. 4. is a left side of the design.

FIG. 5. is a bottom view of the design; and,

FIG. 6. is a perspective view of the design.

1 Claim, 6 Drawing Sheets



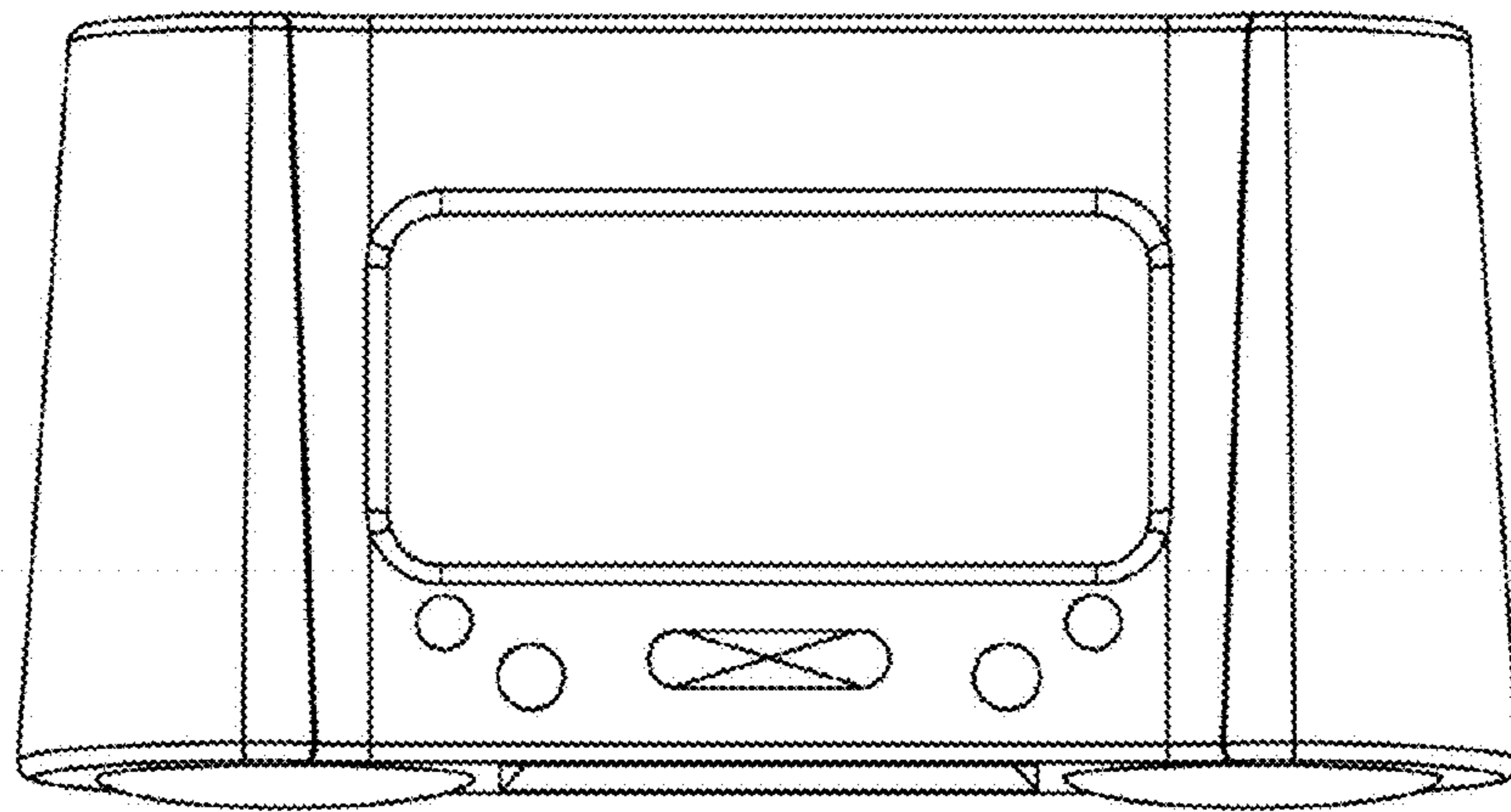


Fig. 1

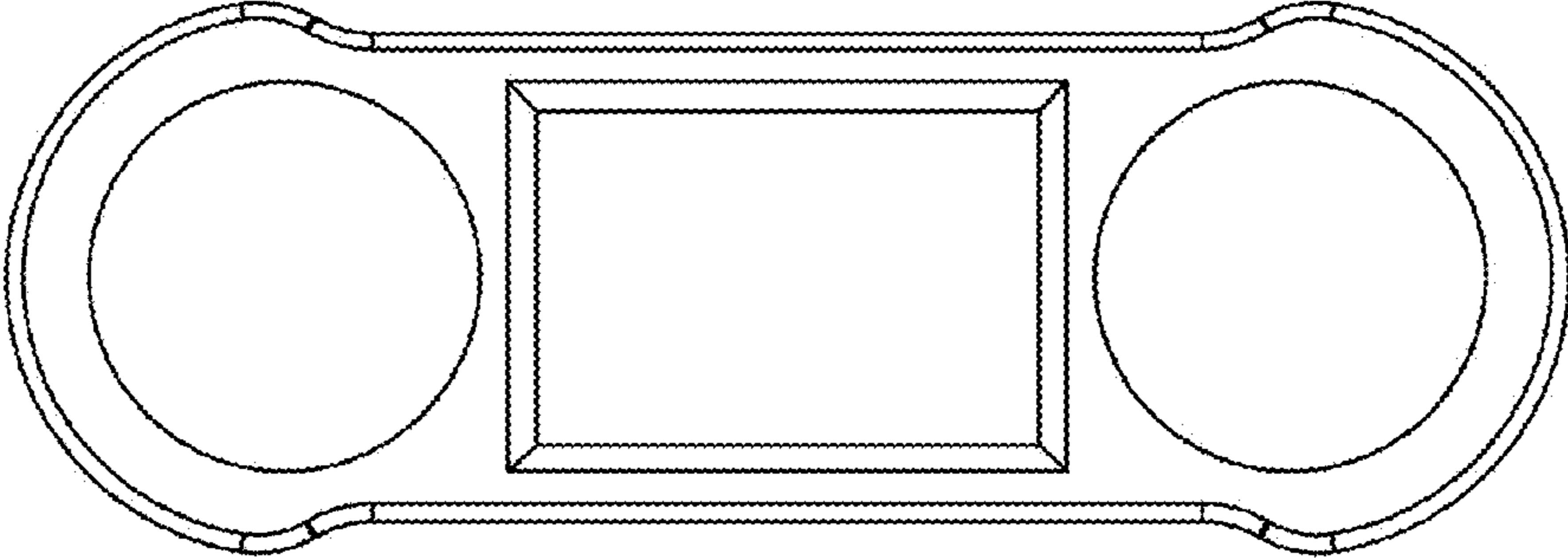


Fig. 2

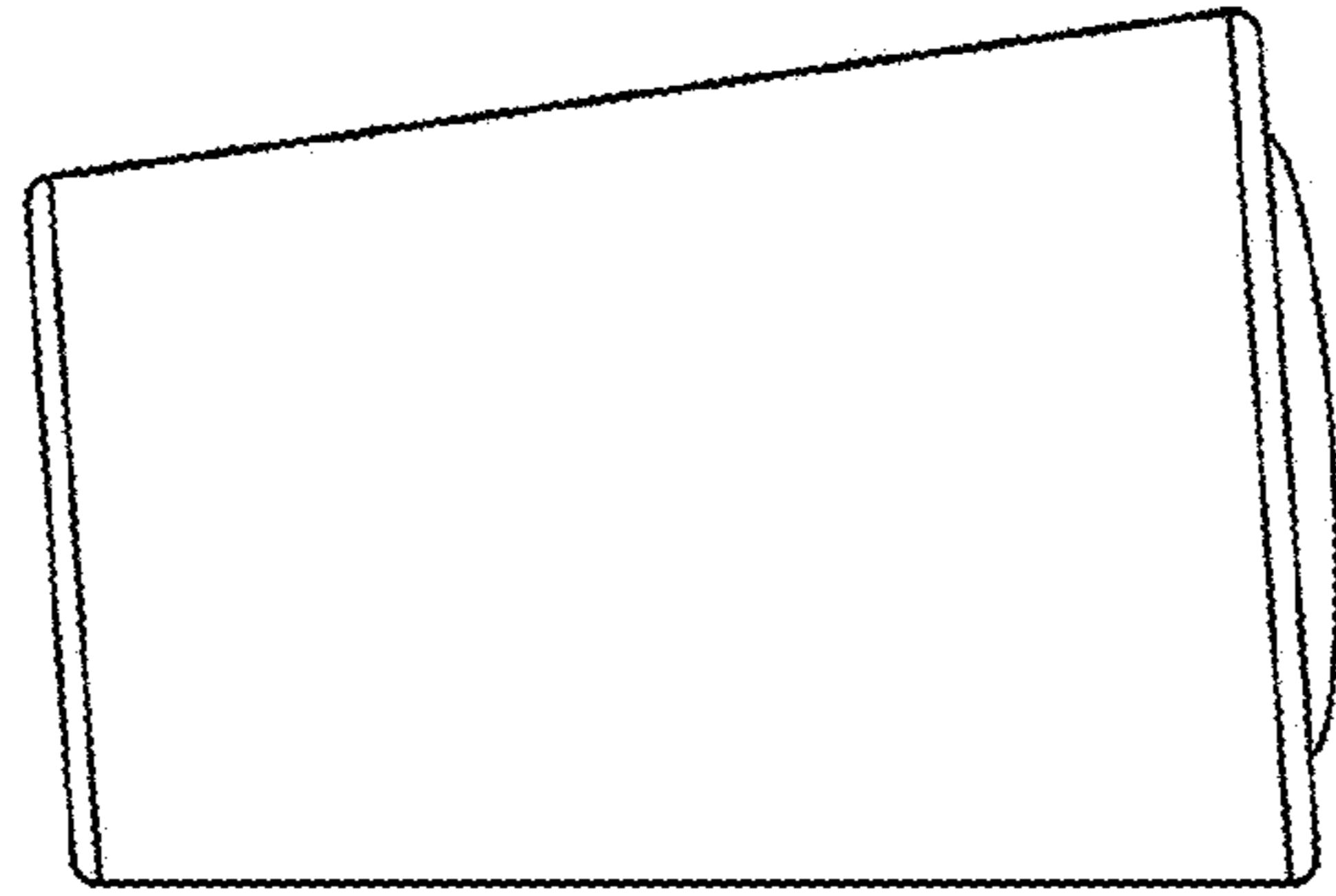


Fig. 3

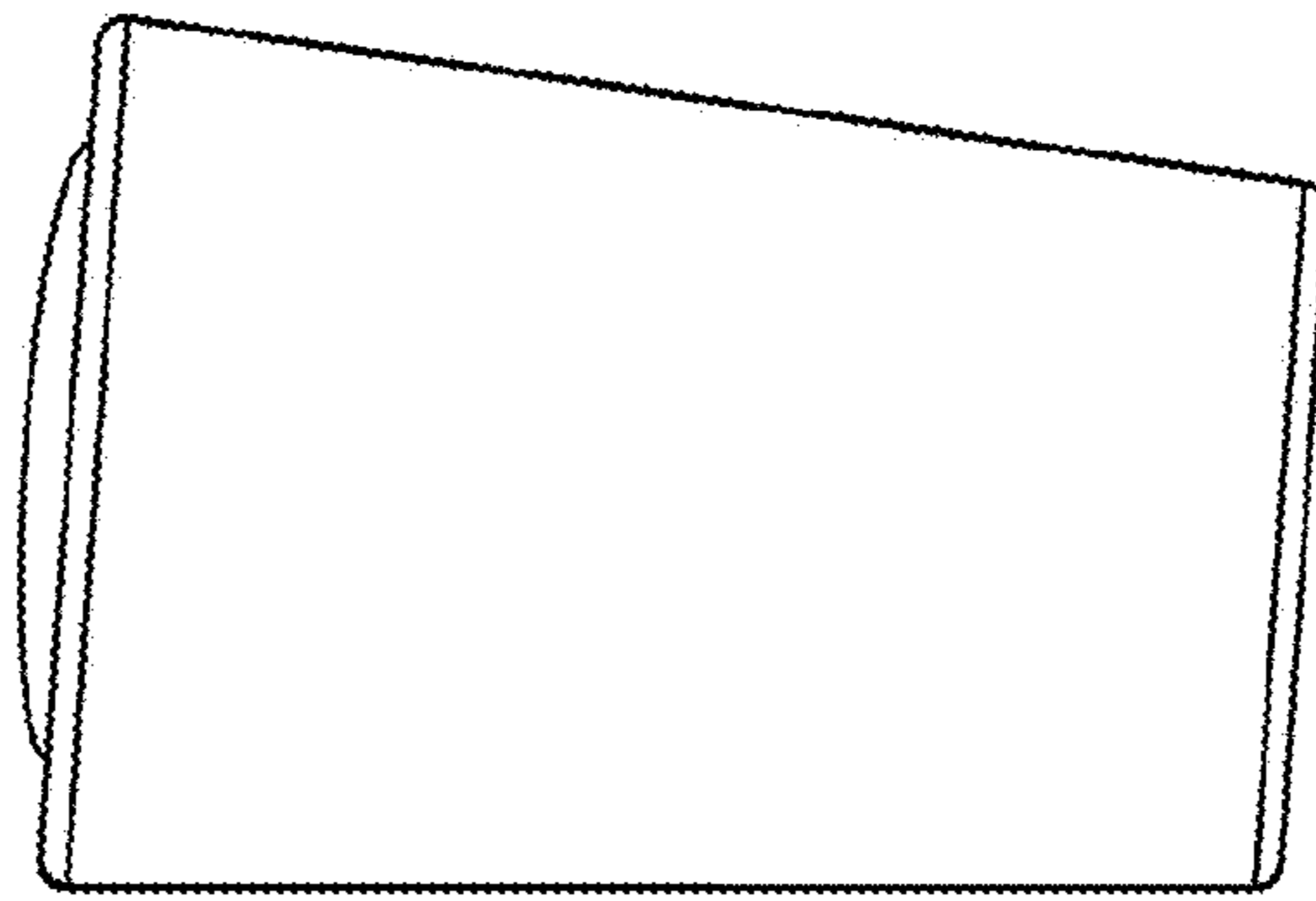


Fig. 4

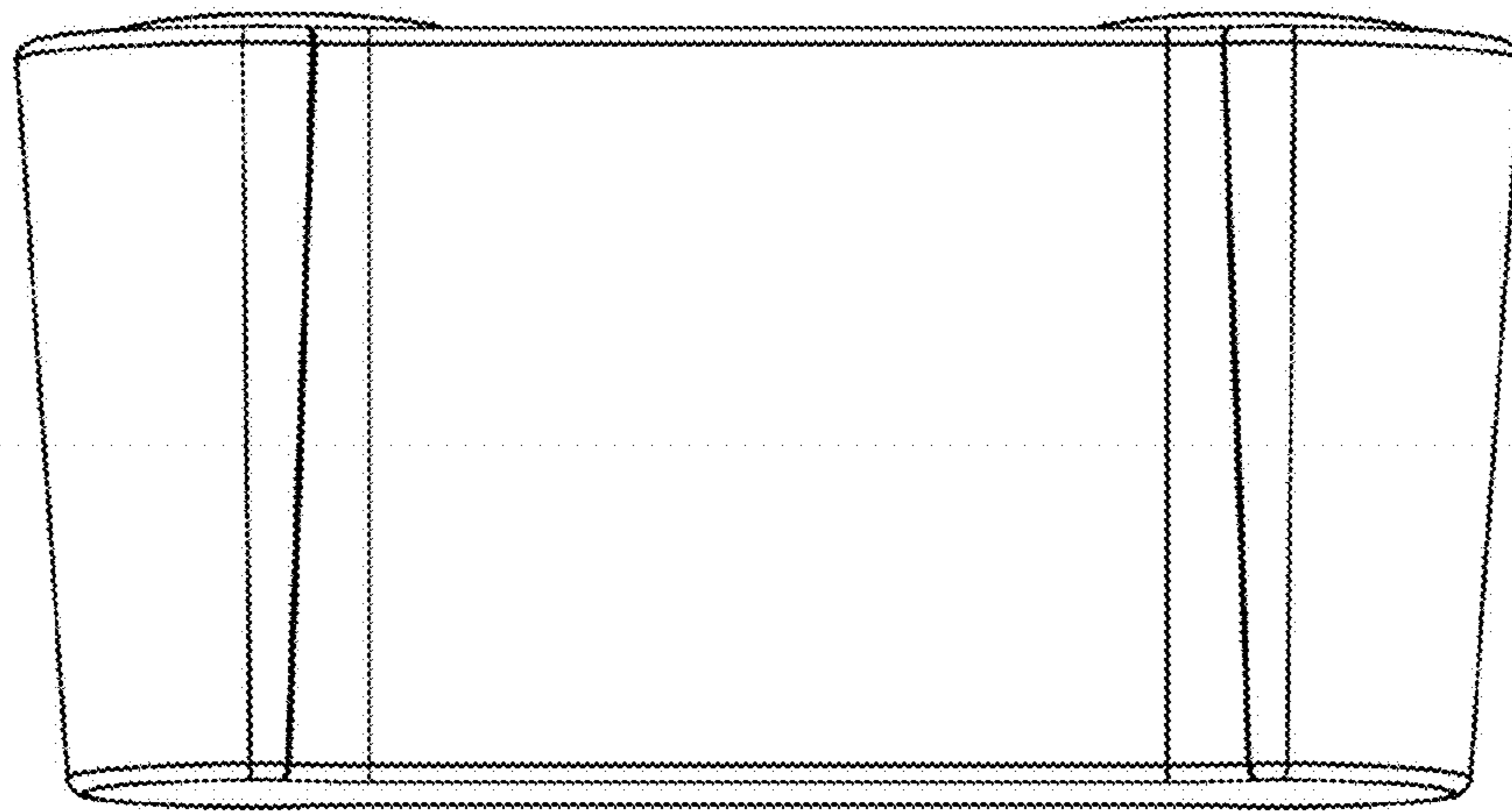


Fig. 5

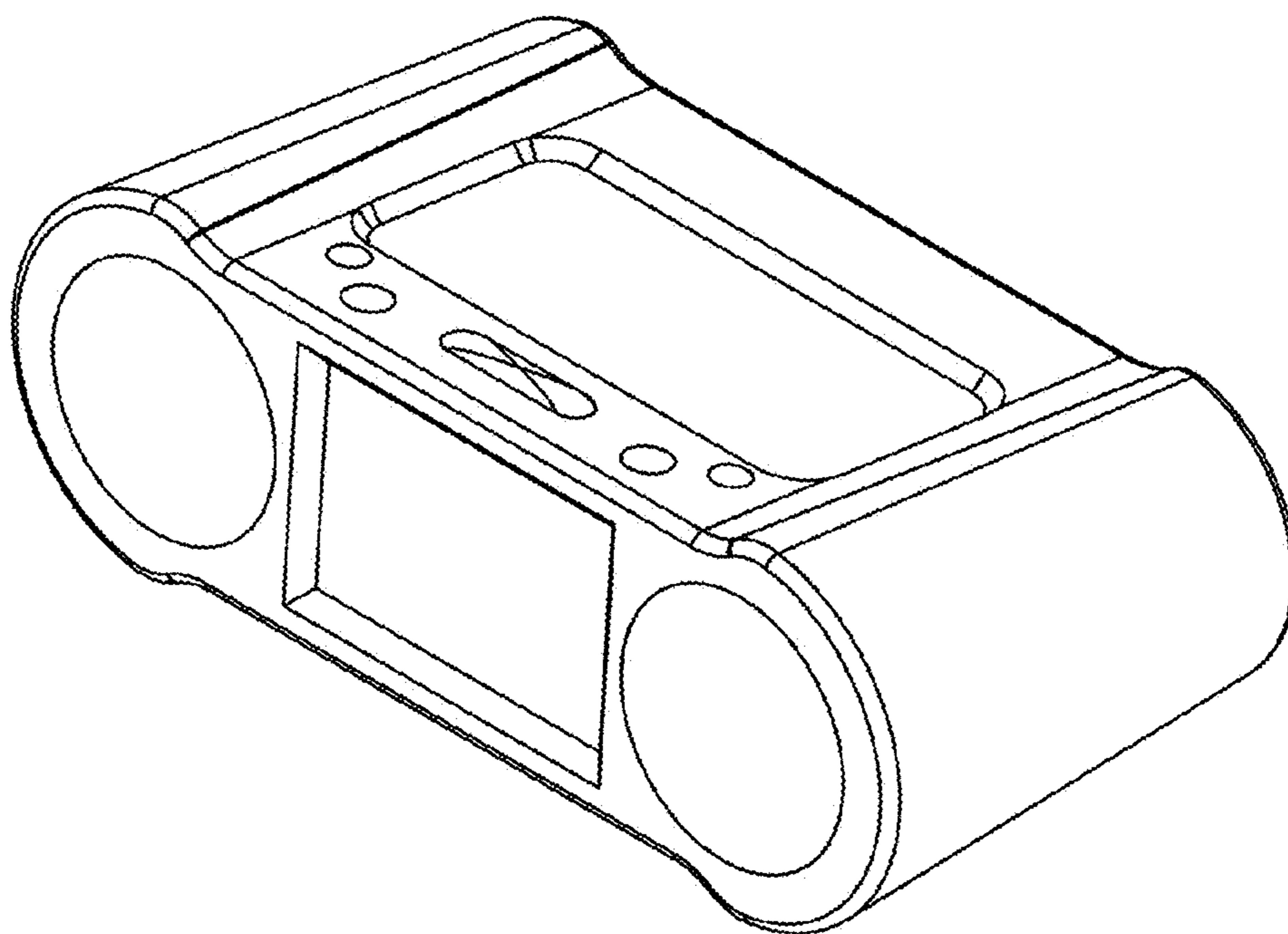


Fig. 6