



US00D709854S

(12) **United States Design Patent**  
**Pan**

(10) **Patent No.:** **US D709,854 S**

(45) **Date of Patent:** **\*\* Jul. 29, 2014**

(54) **SOUND REPRODUCTION EQUIPMENT**

(71) Applicant: **Robert Bosch GmbH**, Stuttgart (DE)

(72) Inventor: **Kevin Pan**, Shanghai (CN)

(73) Assignee: **Robert Bosch GmbH**, Stuttgart (DE)

(\*\*) Term: **14 Years**

(21) Appl. No.: **29/470,938**

(22) Filed: **Oct. 25, 2013**

(30) **Foreign Application Priority Data**

Sep. 25, 2013 (EM) ..... 022315010

(51) **LOC (10) Cl.** ..... **14-01**

(52) **U.S. Cl.**  
USPC ..... **D14/167; D14/159**

(58) **Field of Classification Search**  
USPC ..... D14/167, 154, 168, 188, 496, 156, 160,  
D14/161, 162, 163, 164, 165, 158, 203.1,  
D14/341, 346, 342, 345, 225, 226, 228, 227,  
D14/214; 455/351, 350; D19/60, 62;  
D21/330; 369/44.14, 44.32; 700/94  
See application file for complete search history.

(56) **References Cited**

**U.S. PATENT DOCUMENTS**

D223,096 S *	3/1972	Gilson	.....	D14/365
D539,264 S *	3/2007	Kim et al.	.....	D14/188
D541,272 S *	4/2007	Wang	.....	D14/356
D552,549 S *	10/2007	Hsu	.....	D13/133
D556,199 S *	11/2007	Song	.....	D14/357
D558,763 S *	1/2008	Morganstern et al.	....	D14/480.7

D563,334 S *	3/2008	Wang	.....	D14/125
D566,710 S *	4/2008	Chun et al.	.....	D14/358
D589,914 S *	4/2009	Wang et al.	.....	D14/125
D593,082 S *	5/2009	Jeon	.....	D14/240
D604,254 S *	11/2009	Lanfear et al.	.....	D13/162
D634,296 S *	3/2011	Tani et al.	.....	D14/149
D636,383 S *	4/2011	Hao	.....	D14/242
D641,019 S *	7/2011	Chen et al.	.....	D14/356
D654,496 S *	2/2012	Chen et al.	.....	D14/314

\* cited by examiner

*Primary Examiner* — Austin Murphy

(74) *Attorney, Agent, or Firm* — Maginot, Moore & Beck

(57) **CLAIM**

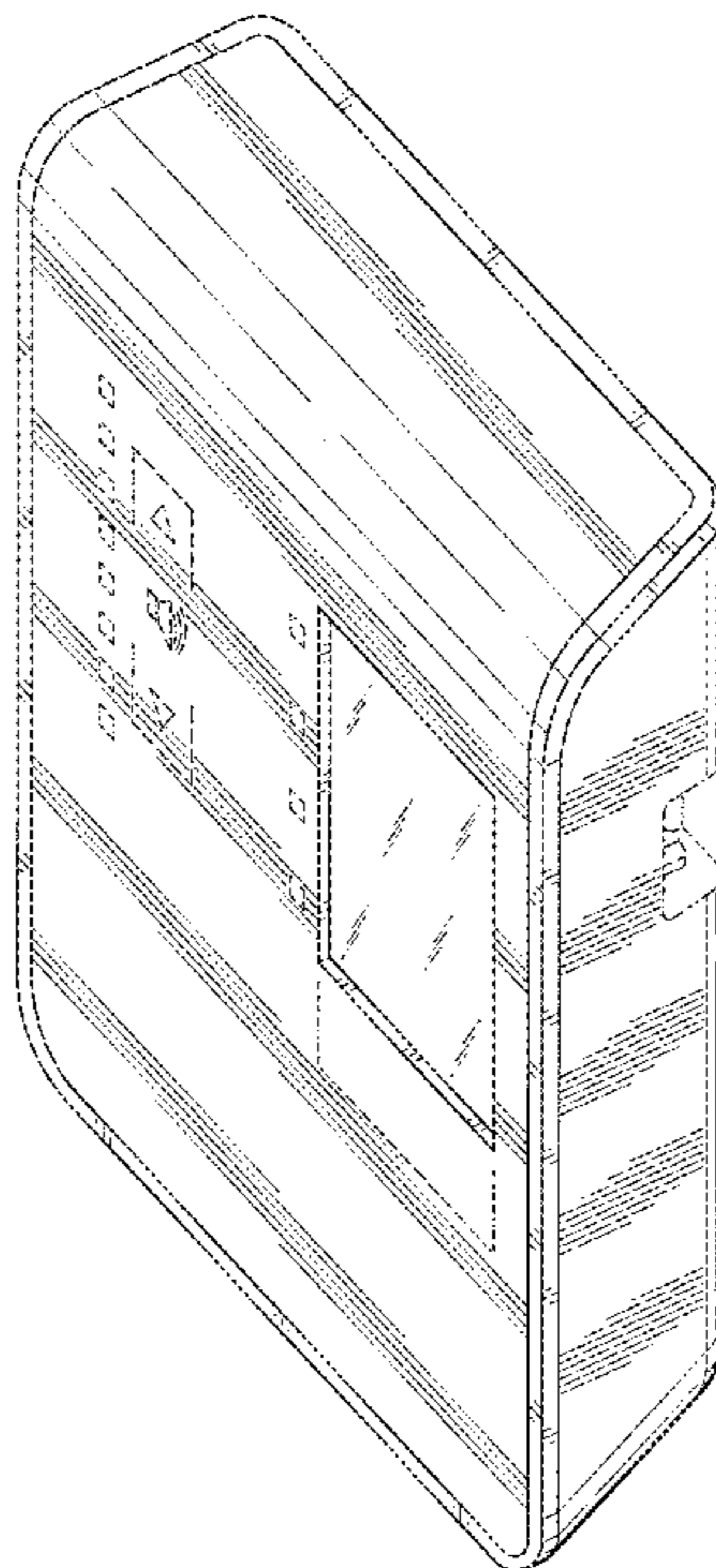
The ornamental design for sound reproduction equipment, as shown and described.

**DESCRIPTION**

FIG. 1 is a perspective view of sound reproduction equipment showing my new design;  
FIG. 2 is a right side elevational view showing the design for the sound reproduction equipment of FIG. 1;  
FIG. 3 is a left side elevational view showing the design for the sound reproduction equipment of FIG. 1;  
FIG. 4 is a front elevational view showing the design for the sound reproduction equipment of FIG. 1;  
FIG. 5 is a rear elevational view showing the design for the sound reproduction equipment of FIG. 1;  
FIG. 6 is a top elevational view showing the design for the sound reproduction equipment of FIG. 1; and,  
FIG. 7 is a bottom elevational view showing the design for the sound reproduction equipment of FIG. 1.

The broken line showing of portions of the sound reproduction equipment in the drawings is included for illustrative purposes only and forms no part of the claimed design.

**1 Claim, 7 Drawing Sheets**



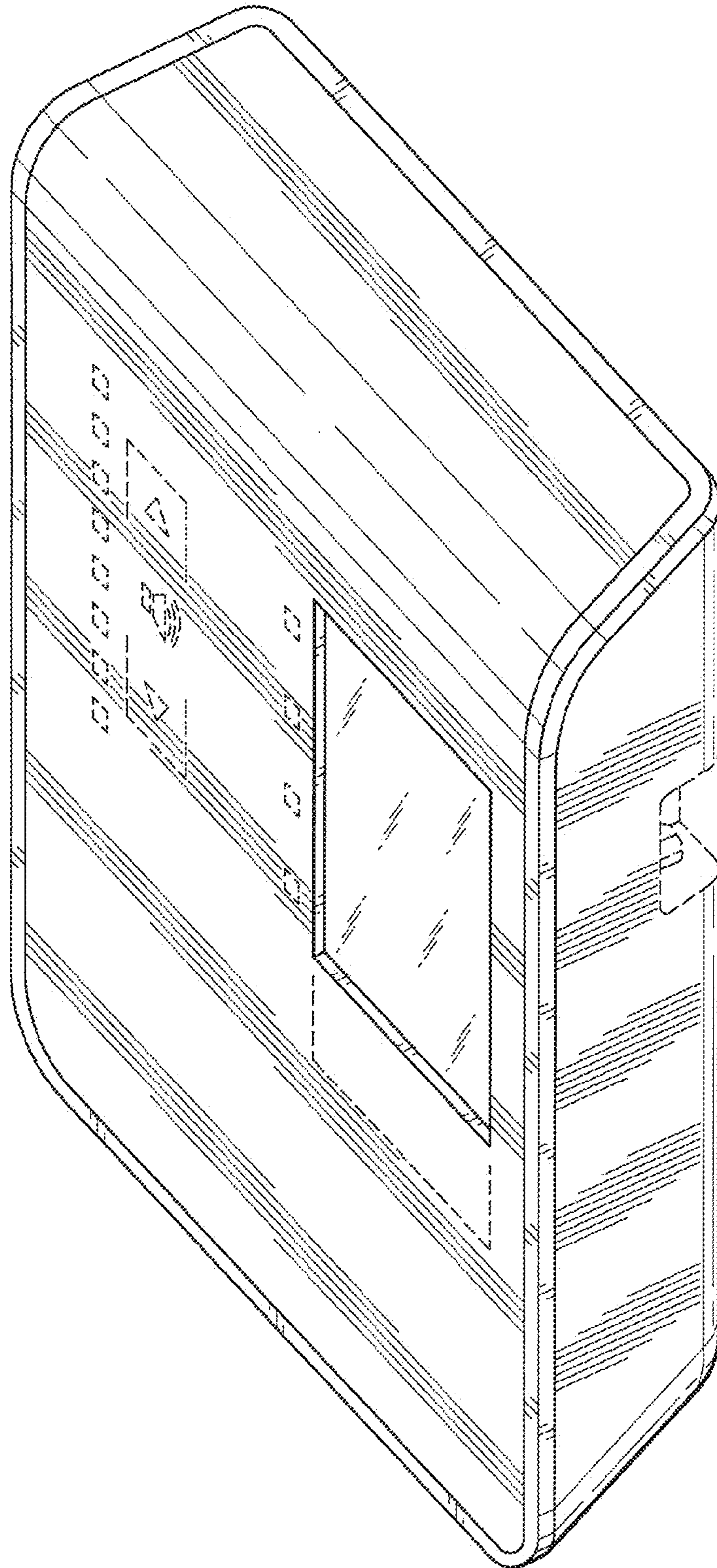


Fig. 1

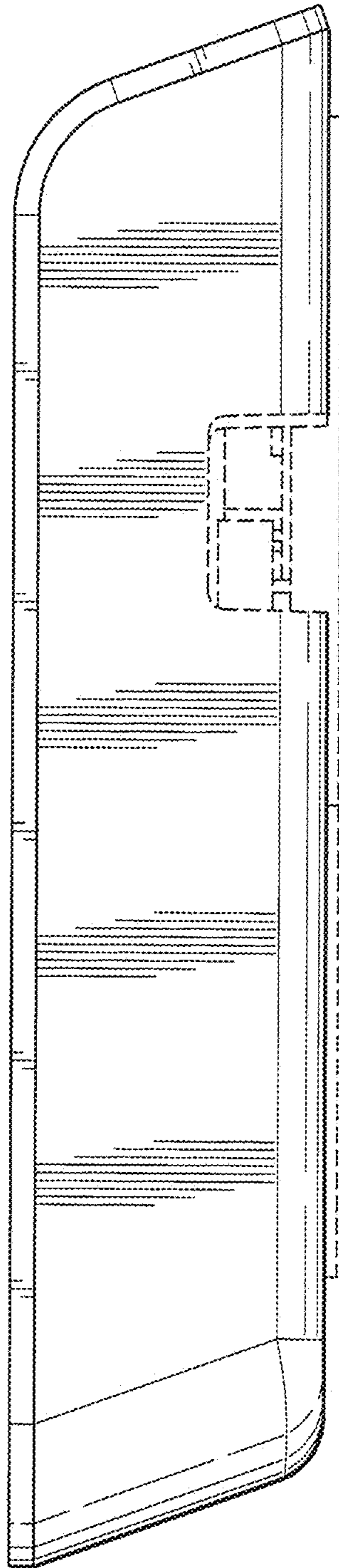


Fig. 2

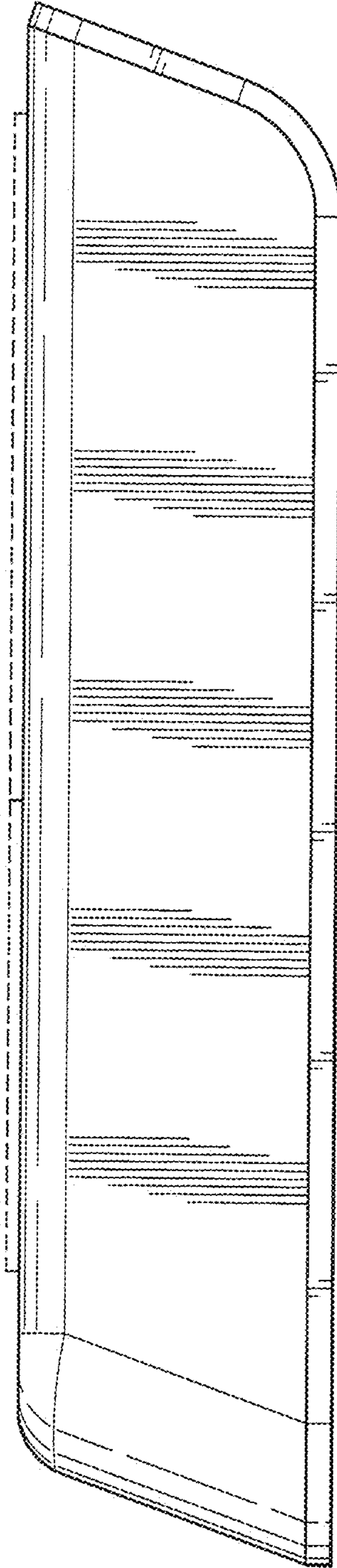


Fig. 3

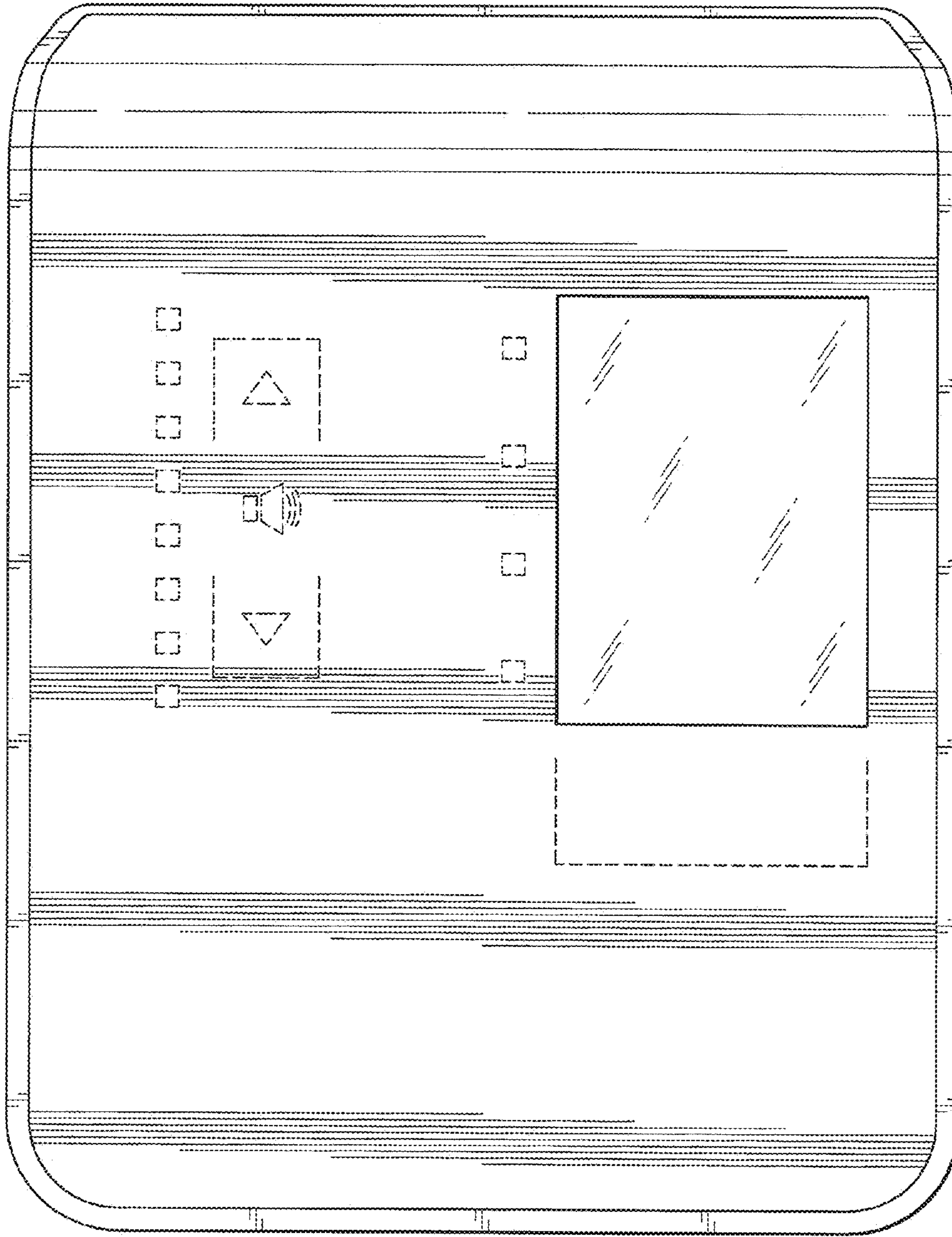


Fig. 4

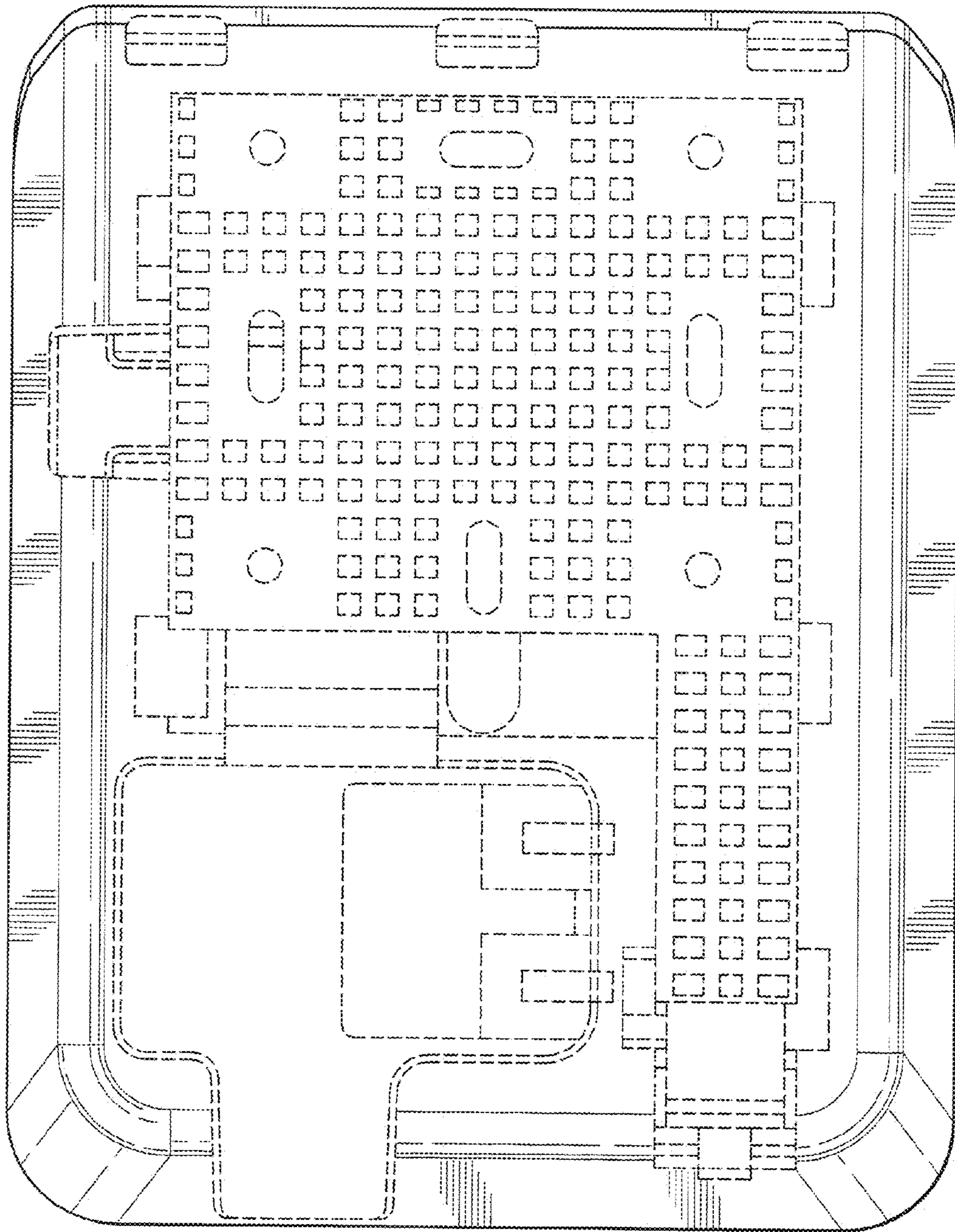


Fig. 5

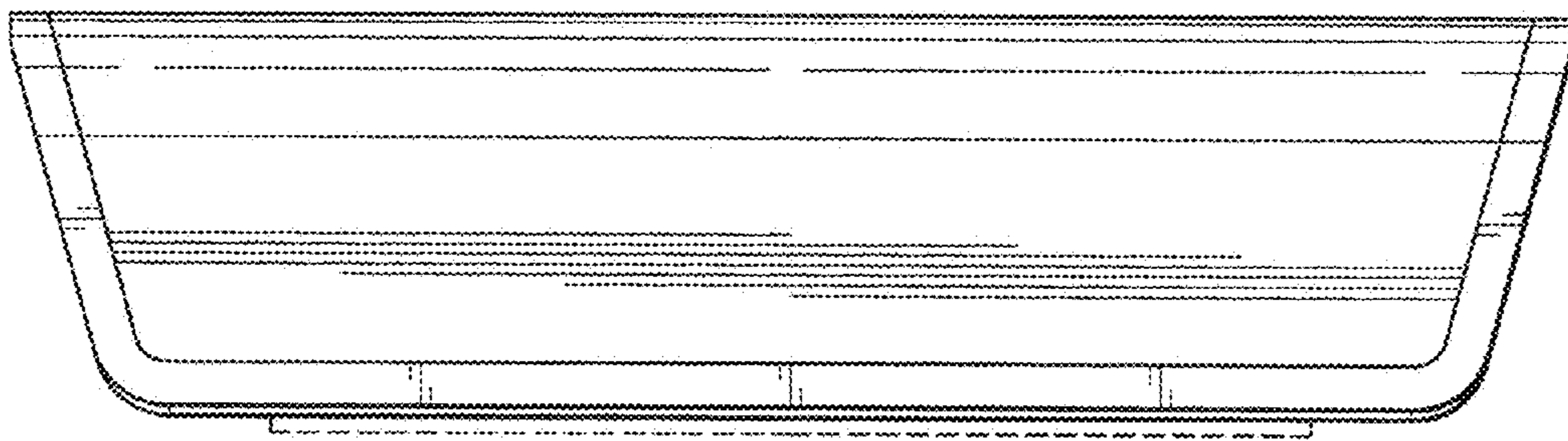


Fig. 6

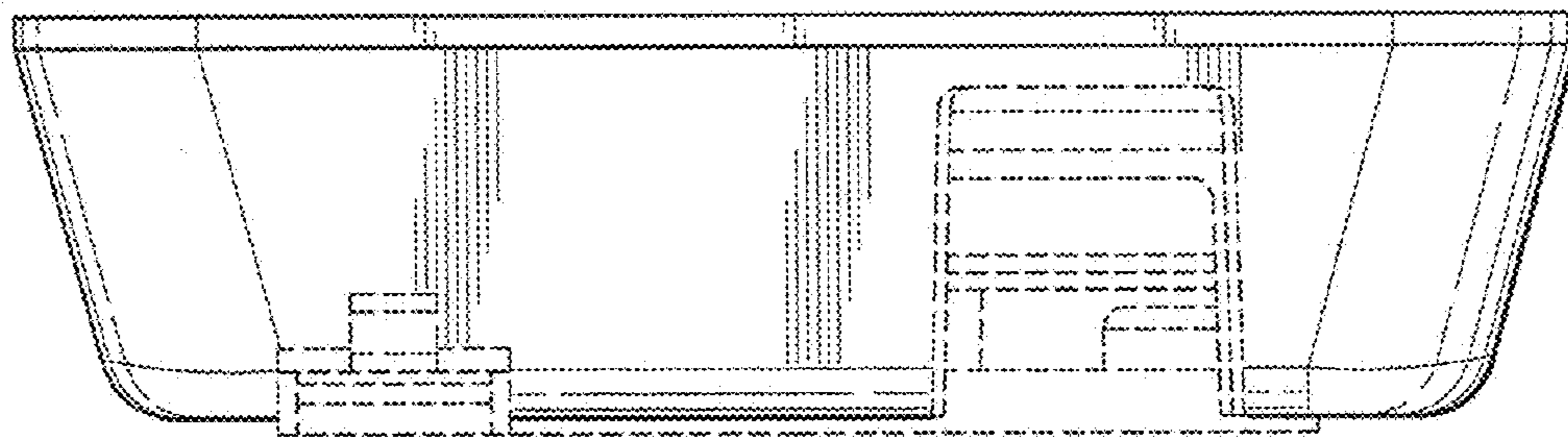


Fig. 7