



US00D709853S

(12) **United States Design Patent**
Hirai et al.

(10) **Patent No.:** **US D709,853 S**
(45) **Date of Patent:** **** Jul. 29, 2014**

(54) **INDUSTRIAL RADIO TRANSMITTER**

(71) Applicant: **Furukawa Unic Corporation**, Tokyo (JP)

(72) Inventors: **Yoshiaki Hirai**, Chiba (JP); **Masami Toyoshima**, Tokyo (JP)

(73) Assignee: **Furukawa Unic Corporation**, Tokyo (JP)

(**) Term: **14 Years**

(21) Appl. No.: **29/470,492**

(22) Filed: **Oct. 22, 2013**

(30) **Foreign Application Priority Data**

Apr. 24, 2013 (JP) 2013-009231

(51) **LOC (10) Cl.** **14-03**

(52) **U.S. Cl.**
USPC **D14/155**

(58) **Field of Classification Search**
CPC B66C 1/00; B66C 13/04; B66C 13/42;
B66C 13/44; B66C 2700/088; G08B 1/08;
Y04S 40/00
USPC D14/167, 154, 168, 188, 496, 156, 160,
D14/161, 162, 163, 164, 165, 158, 341, 346,
D14/342, 345, 375, 155, 218, 225;
D16/208; D26/38; 455/351, 350,
455/575.1, 556.1; D10/104, 106, 65, 57;
D6/675.1, 672; 312/223.2; D13/112,
D13/114; 73/756; 340/870.01

See application file for complete search history.

(56) **References Cited**

U.S. PATENT DOCUMENTS

D207,401	S	*	4/1967	Andrews et al.	D13/114
D531,158	S	*	10/2006	Grady	D14/155
D556,183	S	*	11/2007	Kesler	D14/155
7,490,516	B2	*	2/2009	Hedtke et al.	73/431
7,528,737	B2	*	5/2009	Hedtke	340/870.01
7,984,652	B2	*	7/2011	Hausler et al.	73/756
D696,222	S	*	12/2013	Jia et al.	D14/155
D696,642	S	*	12/2013	Jia et al.	D14/155

* cited by examiner

Primary Examiner — Austin Murphy

(74) *Attorney, Agent, or Firm* — Hammer & Associates, P.C.

(57) **CLAIM**

The ornamental design for an industrial radio transmitter, as shown and described.

DESCRIPTION

FIG. 1 is a front view of an industrial radio transmitter according to our new design;
FIG. 2 is a rear view of the industrial radio transmitter of FIG. 1;
FIG. 3 is a right side view of the industrial radio transmitter of FIG. 1;
FIG. 4 is a top view of the industrial radio transmitter of FIG. 1;
FIG. 5 is a bottom view of the industrial radio transmitter of FIG. 1; and,
FIG. 6 is a perspective view illustrating the rear and the right side of industrial radio transmitter of FIG. 1.

1 Claim, 6 Drawing Sheets

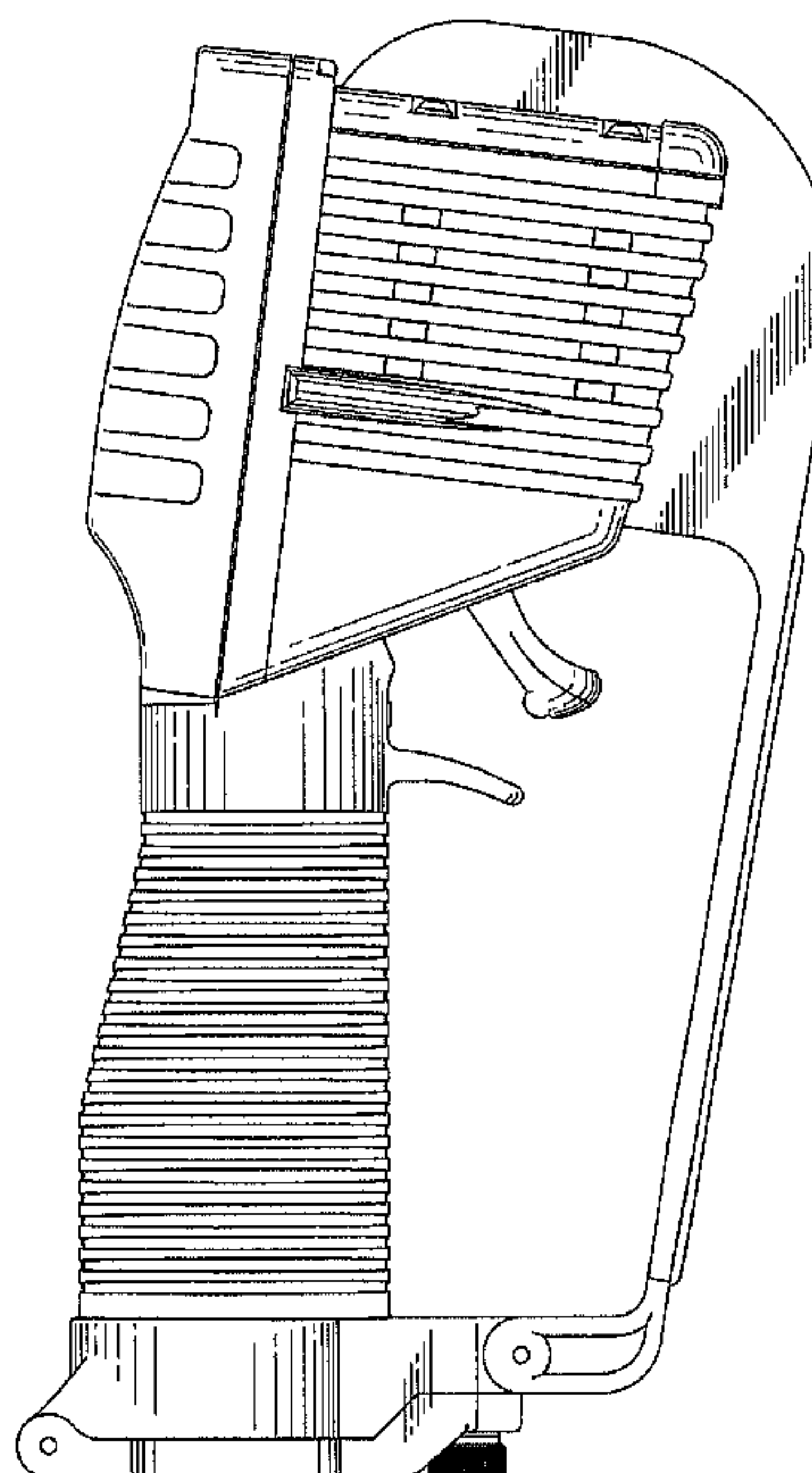
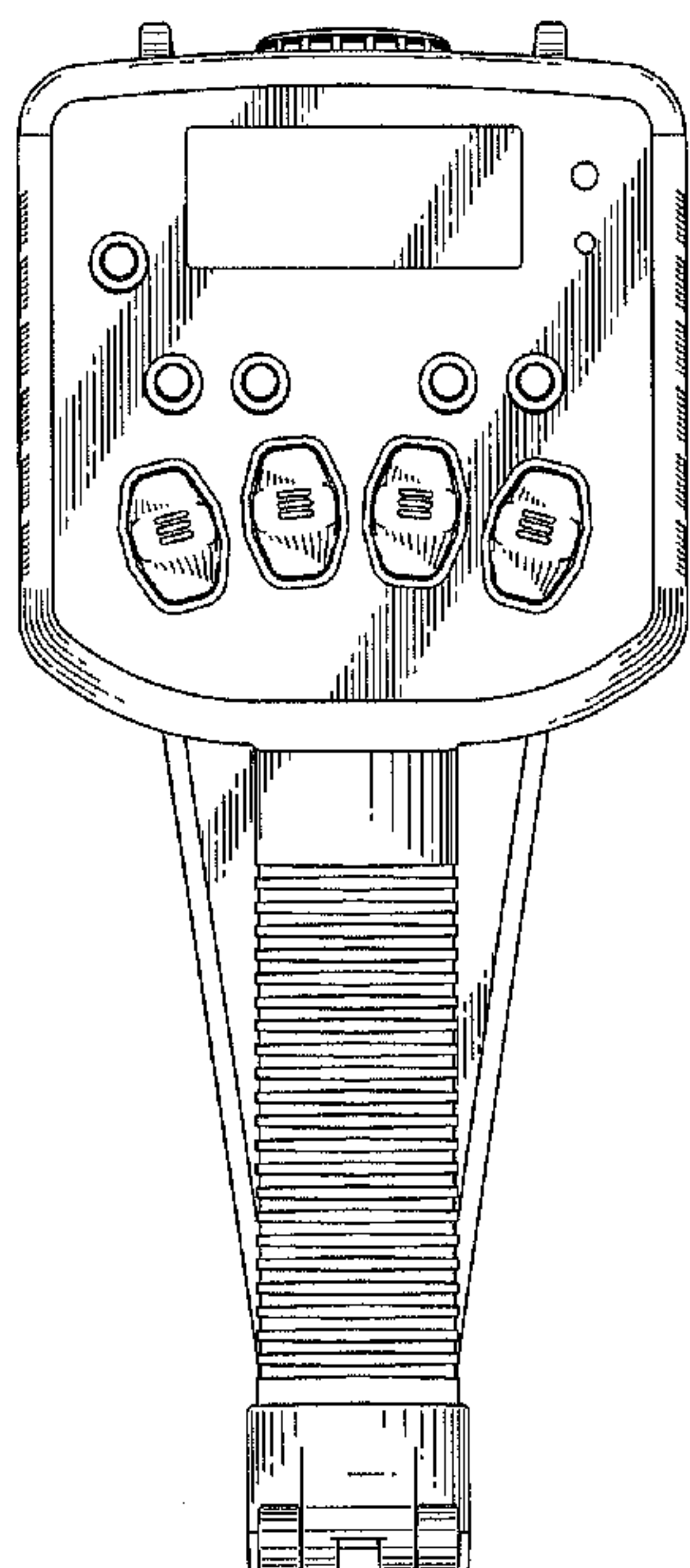


Fig. 1

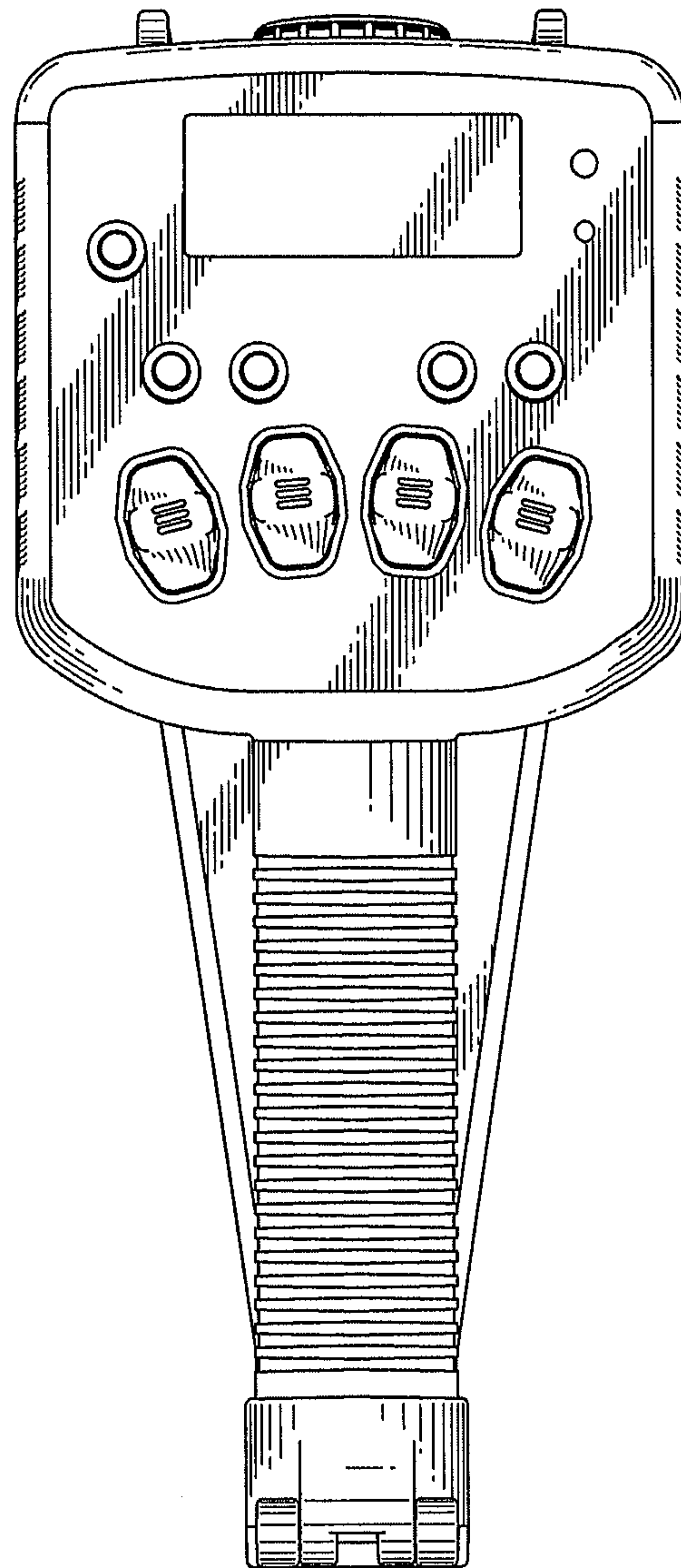


Fig.2

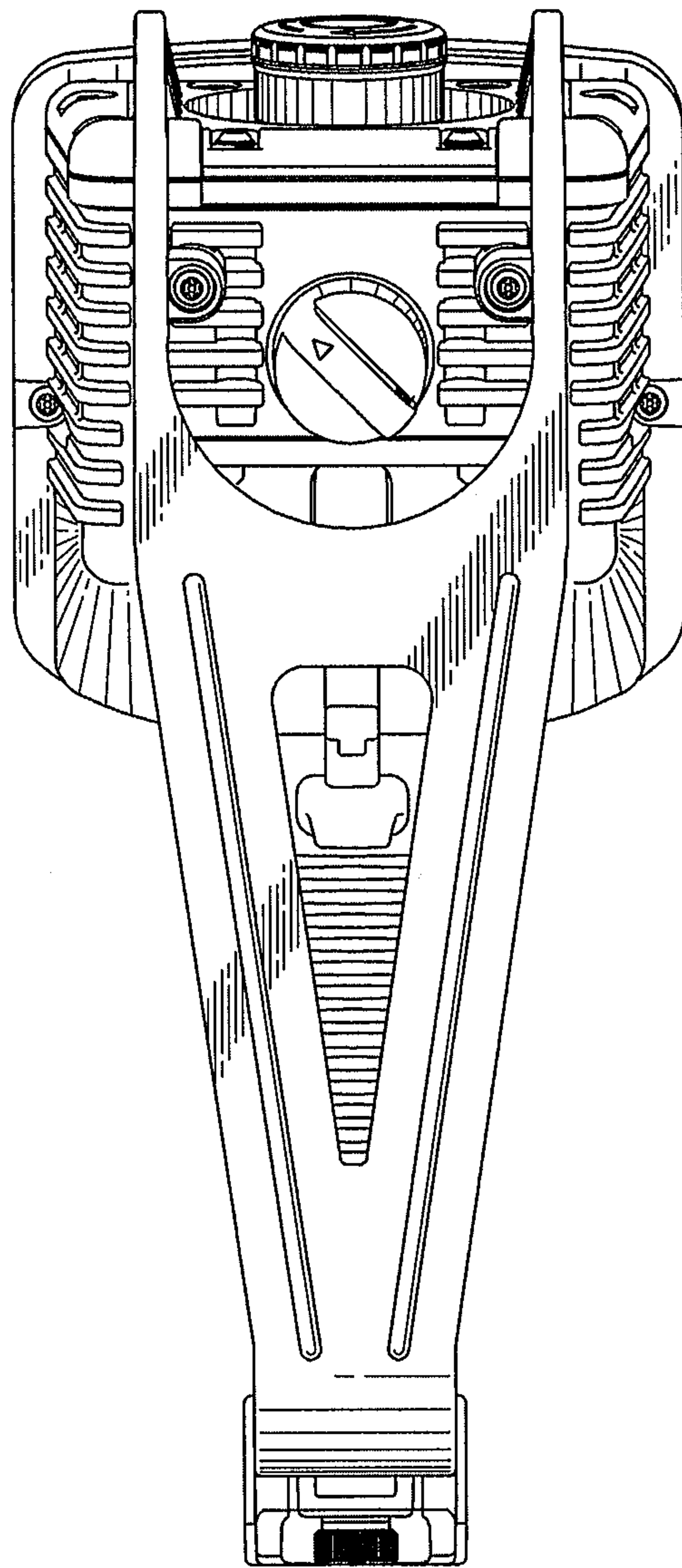


Fig.3

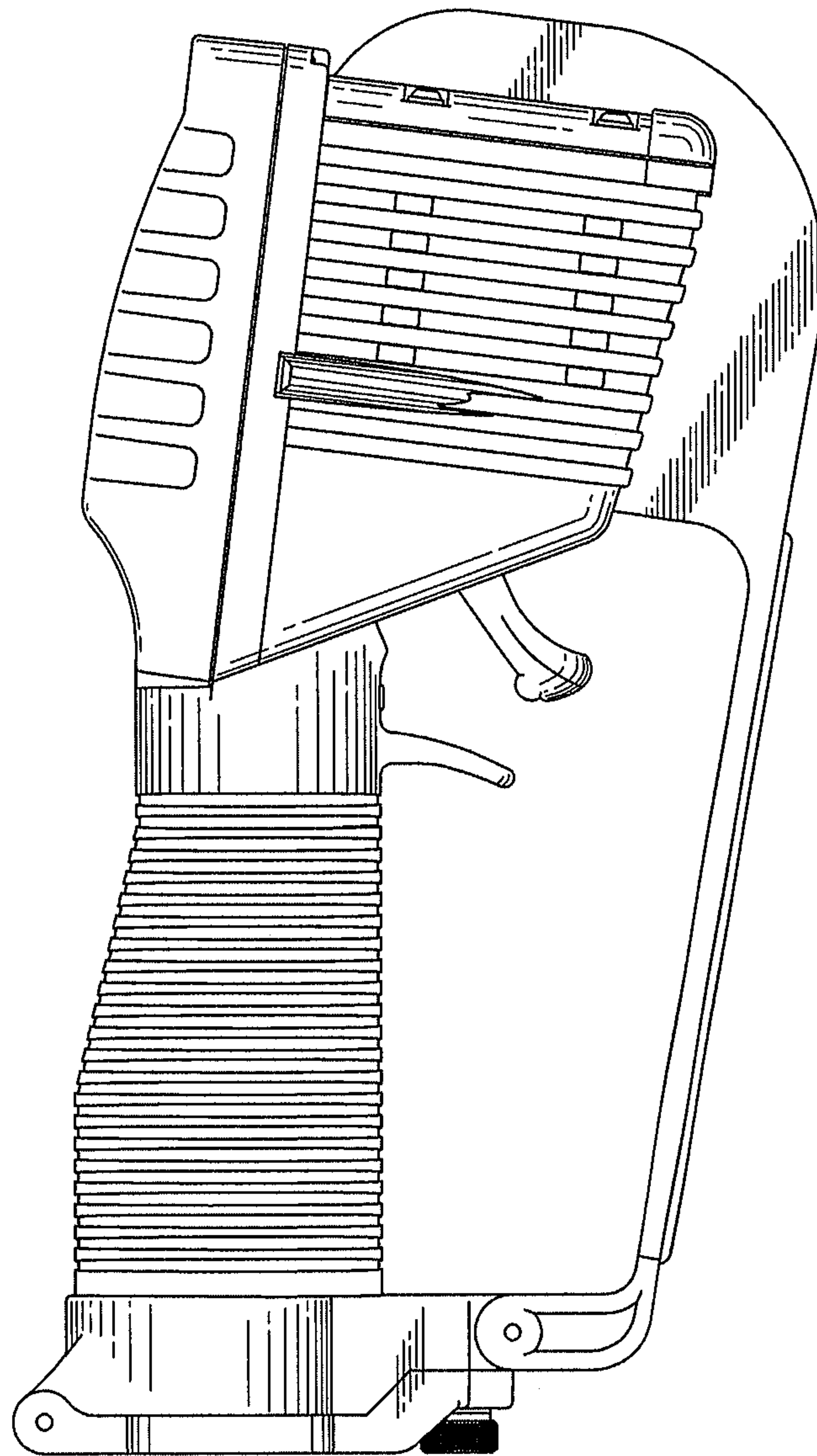


Fig. 4

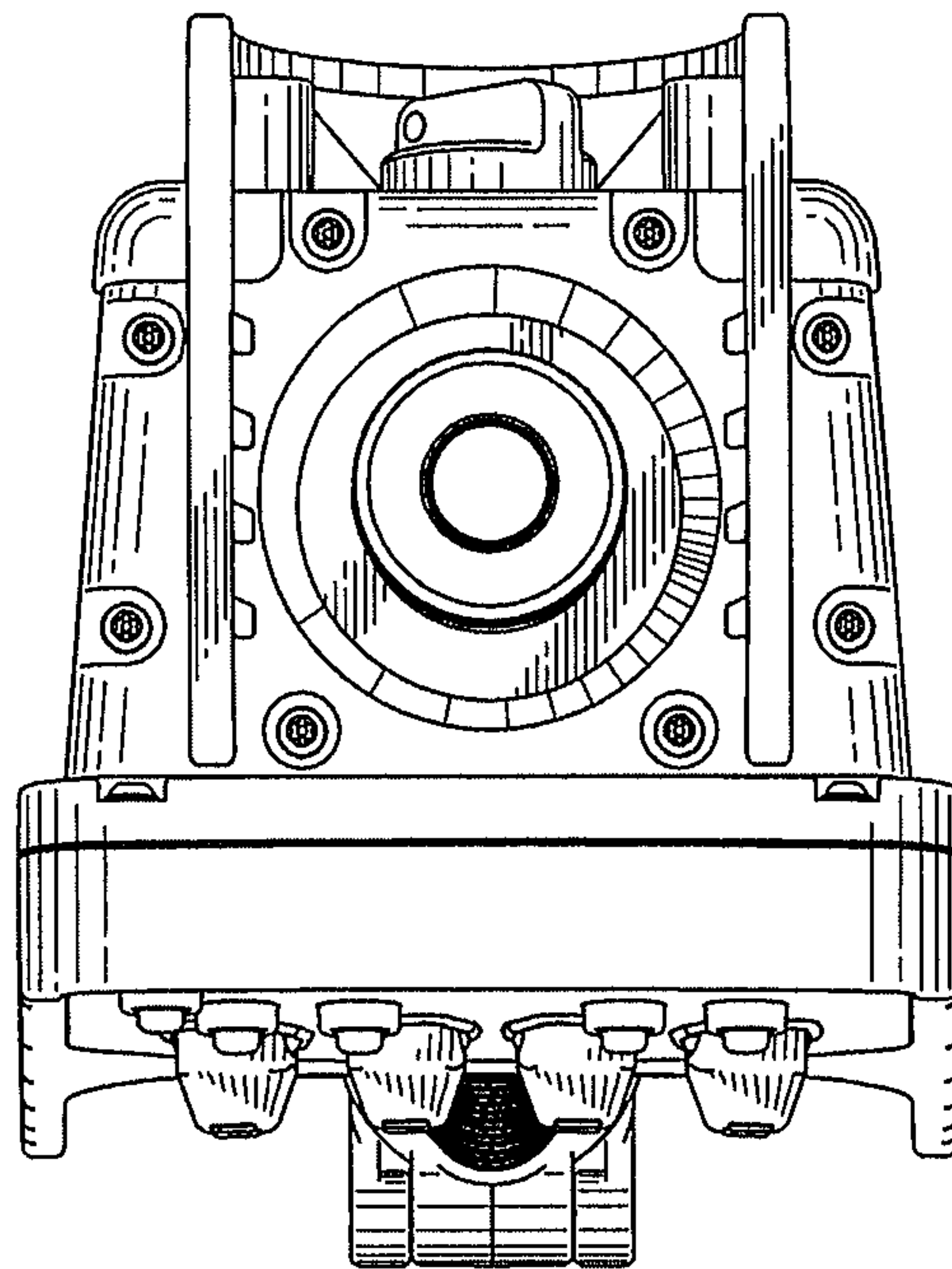


Fig.5

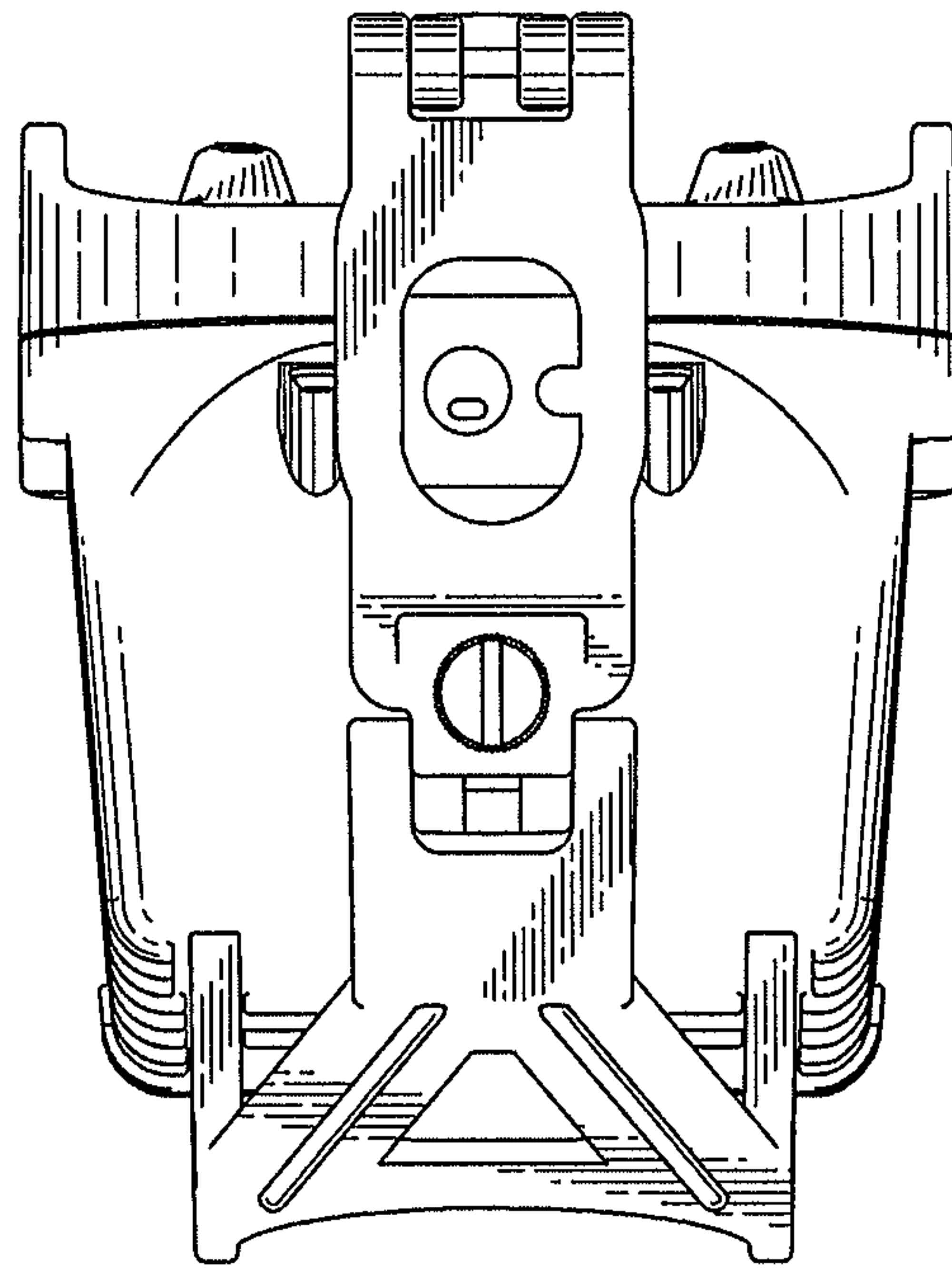


Fig.6

