



US00D709845S

(12) **United States Design Patent**
Itou et al.

(10) **Patent No.:** **US D709,845 S**
(45) **Date of Patent:** **** Jul. 29, 2014**

(54) **TELEVISION APPARATUS**

(56) **References Cited**

(71) Applicant: **Panasonic Corporation**, Osaka (JP)

U.S. PATENT DOCUMENTS

(72) Inventors: **Masakatsu Itou**, Osaka (JP); **Takashi Inoue**, Nara (JP); **Katsuyoshi Uchiyama**, Osaka (JP)

D535,953	S	*	1/2007	Fujii	D14/126
D547,740	S	*	7/2007	Otani	D14/126
D564,993	S	*	3/2008	Lee	D14/126
D689,836	S	*	9/2013	Park	D14/126
D691,979	S	*	10/2013	Park	D14/126

(73) Assignee: **Panasonic Corporation**, Osaka (JP)

FOREIGN PATENT DOCUMENTS

(**) Term: **14 Years**

JP	D1243659	6/2005
JP	D1332681	6/2008

(21) Appl. No.: **29/485,243**

* cited by examiner

(22) Filed: **Mar. 18, 2014**

Primary Examiner — Raphael Barkai

(30) **Foreign Application Priority Data**

(74) *Attorney, Agent, or Firm* — Panasonic Patent Center

Dec. 13, 2013 (JP) 2013-029258

(57) **CLAIM**

(51) **LOC (10) Cl.** **14-03**

We claim the ornamental design for a television apparatus, as shown and described.

(52) **U.S. Cl.**

DESCRIPTION

USPC **D14/126**

(58) **Field of Classification Search**

CPC ... G06F 1/1601; G06F 1/1643; H05K 5/0004;
H05K 5/0017; H05K 5/02; H05K 5/0217
USPC D14/125–134, 239, 371, 136, 374–377,
D14/440, 450, 448, 336, 342, 159; 312/7.2;
348/836, 838, 180, 184, 325, 739;
248/917–924, 465; 345/104, 133, 156,
345/168, 87, 173; D21/329, 515, 577, 622,
D21/333, 433, 448, 452, 450, 331, 505;
D10/15, 26; 446/484, 175, 356;
D6/477, 479, 300

FIG. 1 is a front perspective view of a television apparatus of the present invention;
FIG. 2 is a front view thereof;
FIG. 3 is a rear view thereof;
FIG. 4 is a first side view thereof;
FIG. 5 is a second side view thereof;
FIG. 6 is a top view thereof; and,
FIG. 7 is a bottom view thereof.
The broken line showing of television apparatus is included for the purpose of illustrating environment and forms no part of the claimed design. Additionally, the unevenly broken lines in the drawings define the limits of the claimed design.

See application file for complete search history.

1 Claim, 7 Drawing Sheets

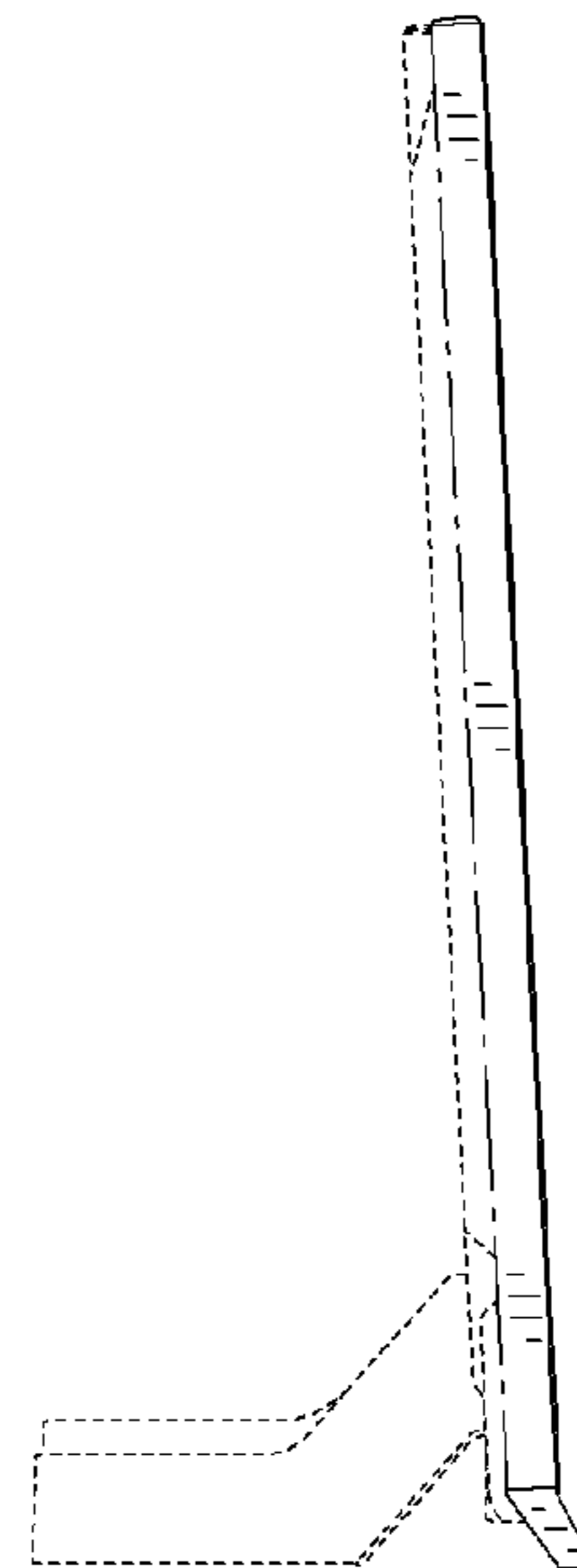
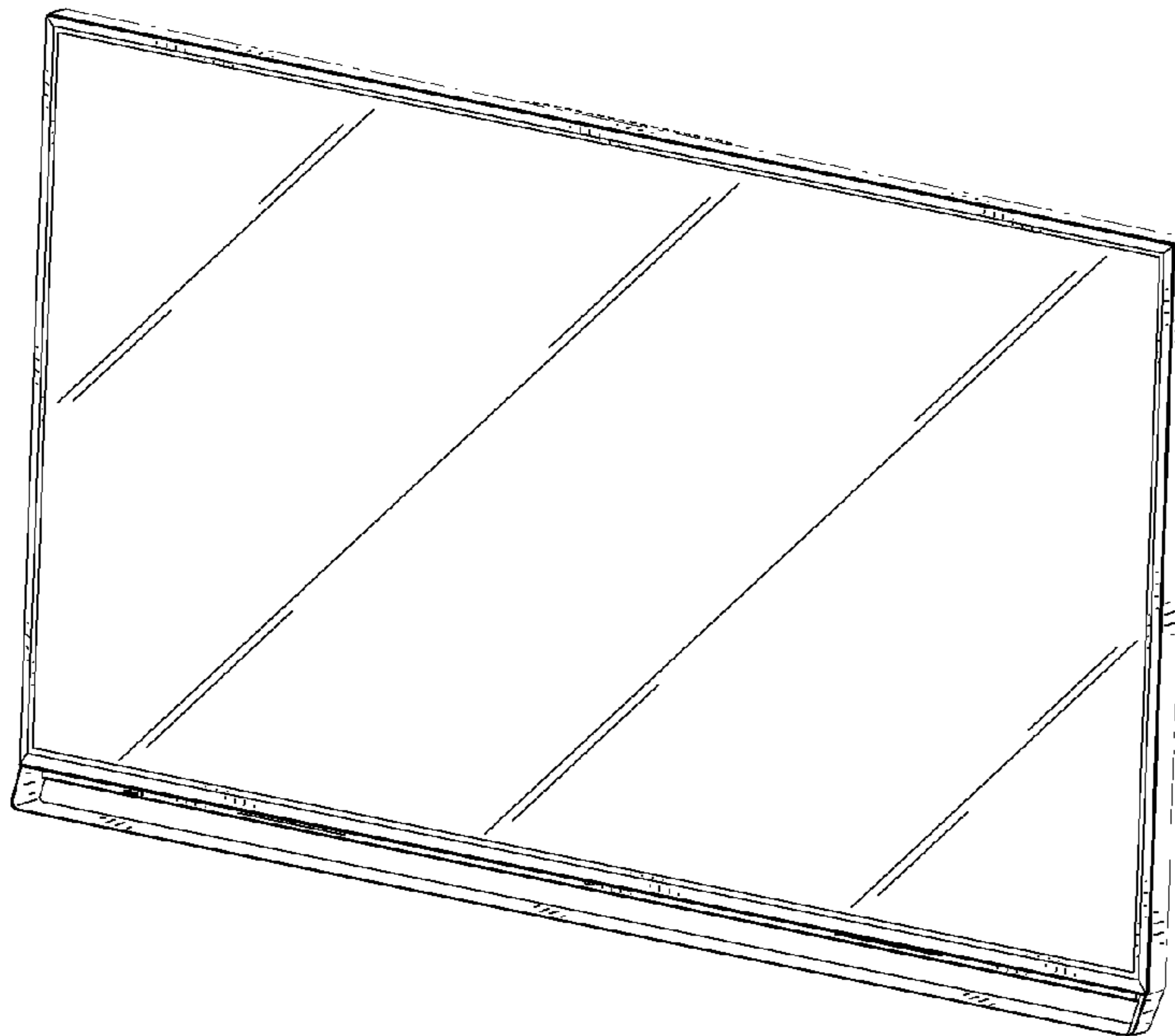


FIG. 1

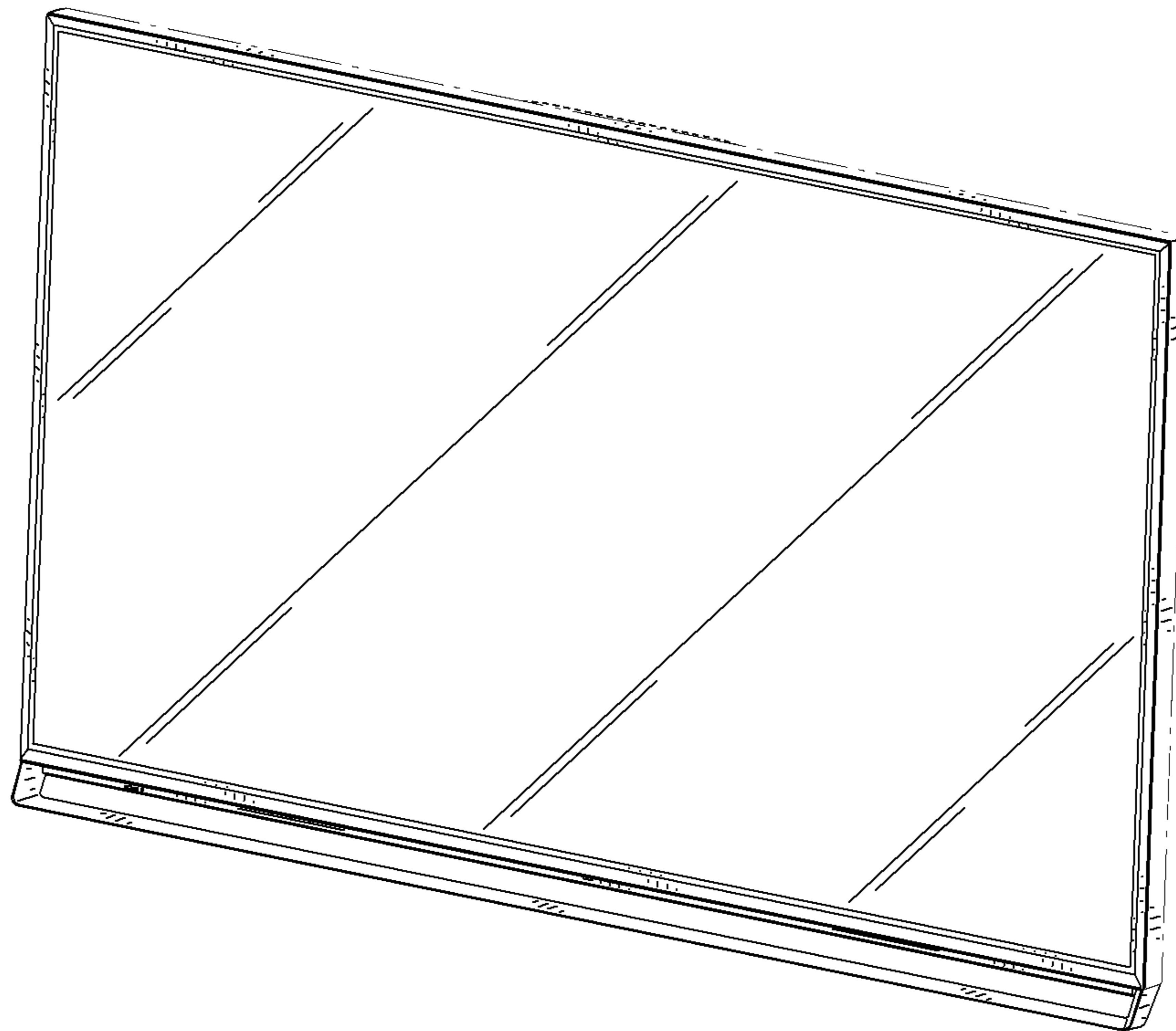


FIG. 2

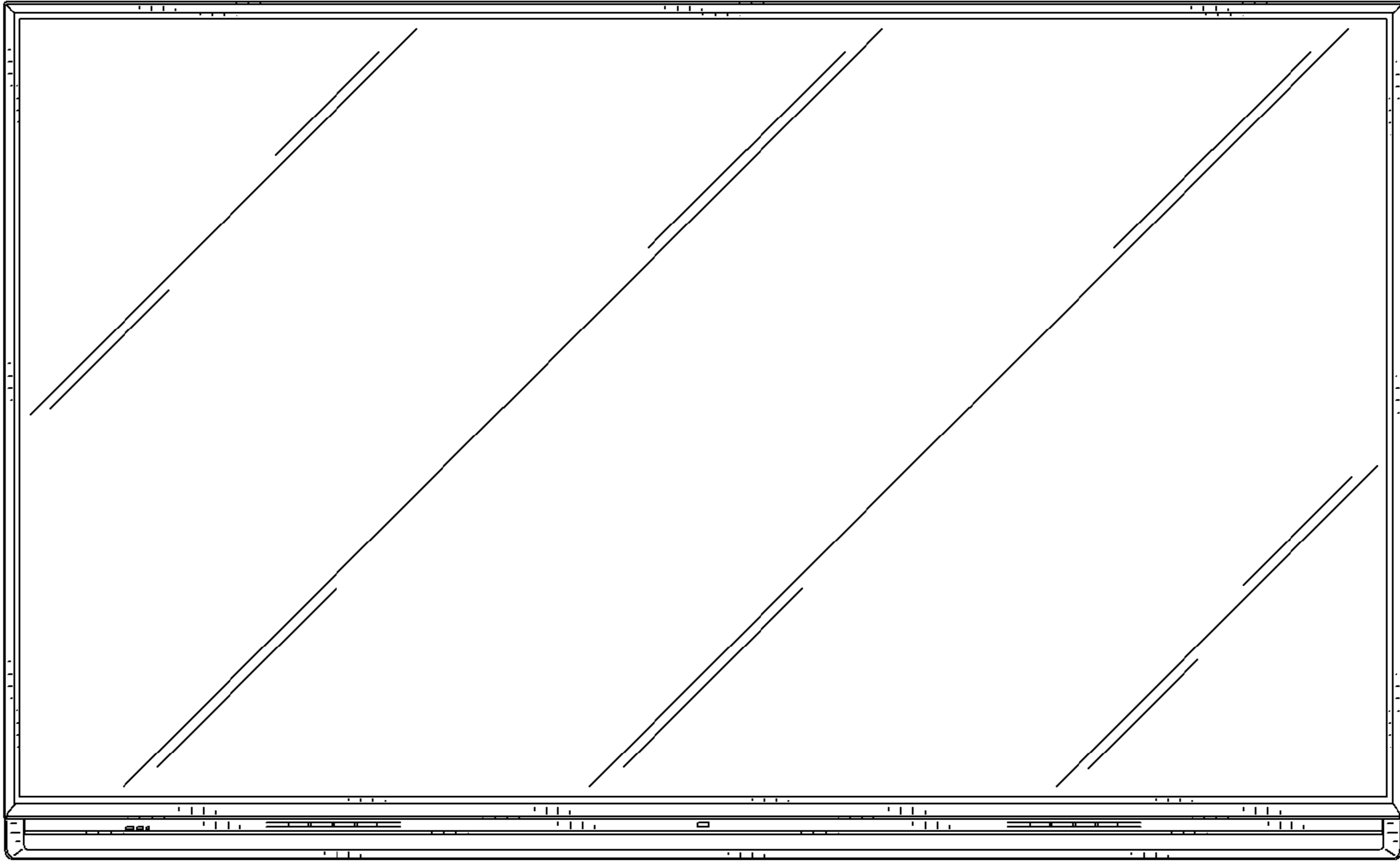


FIG. 3

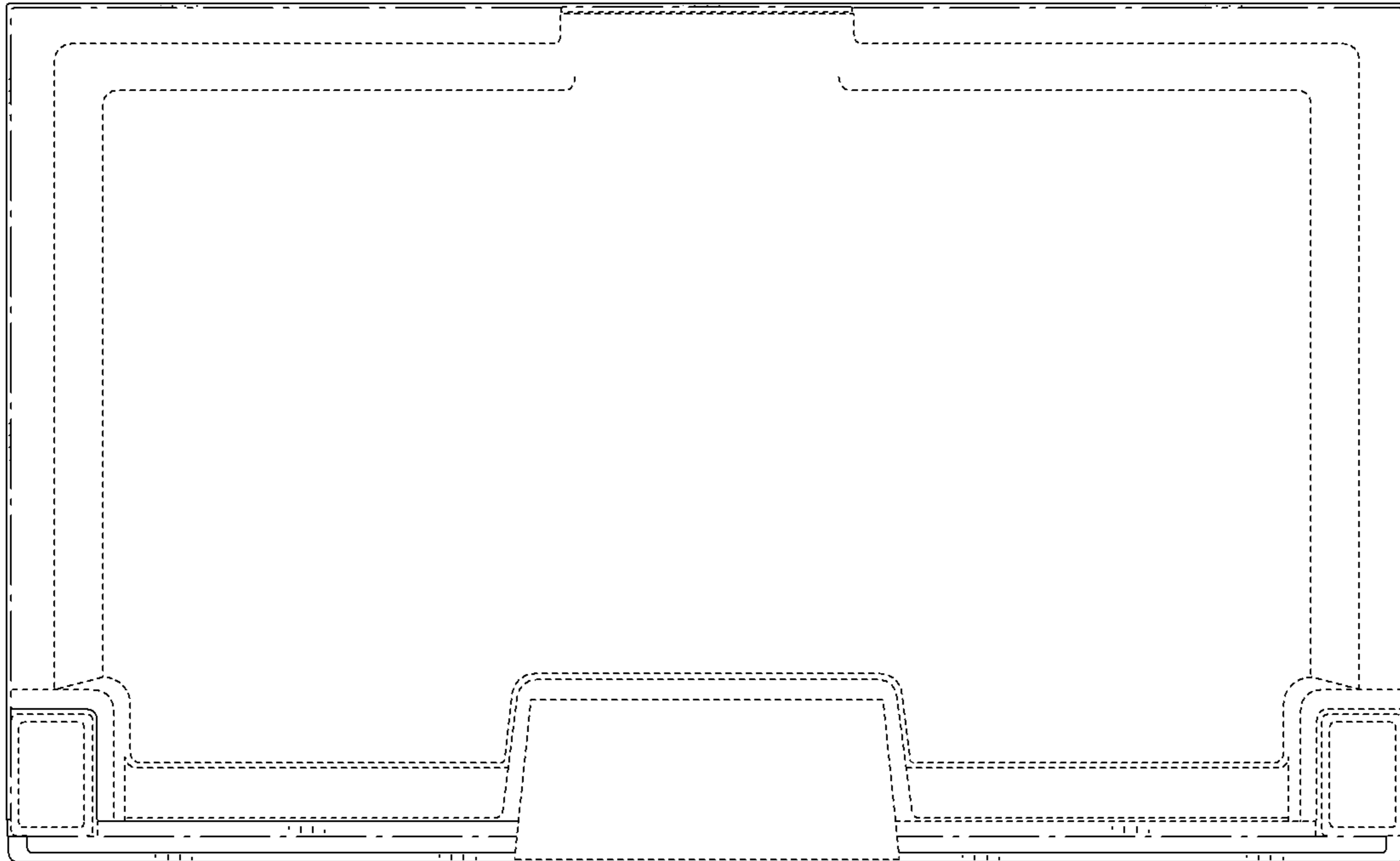


FIG. 4

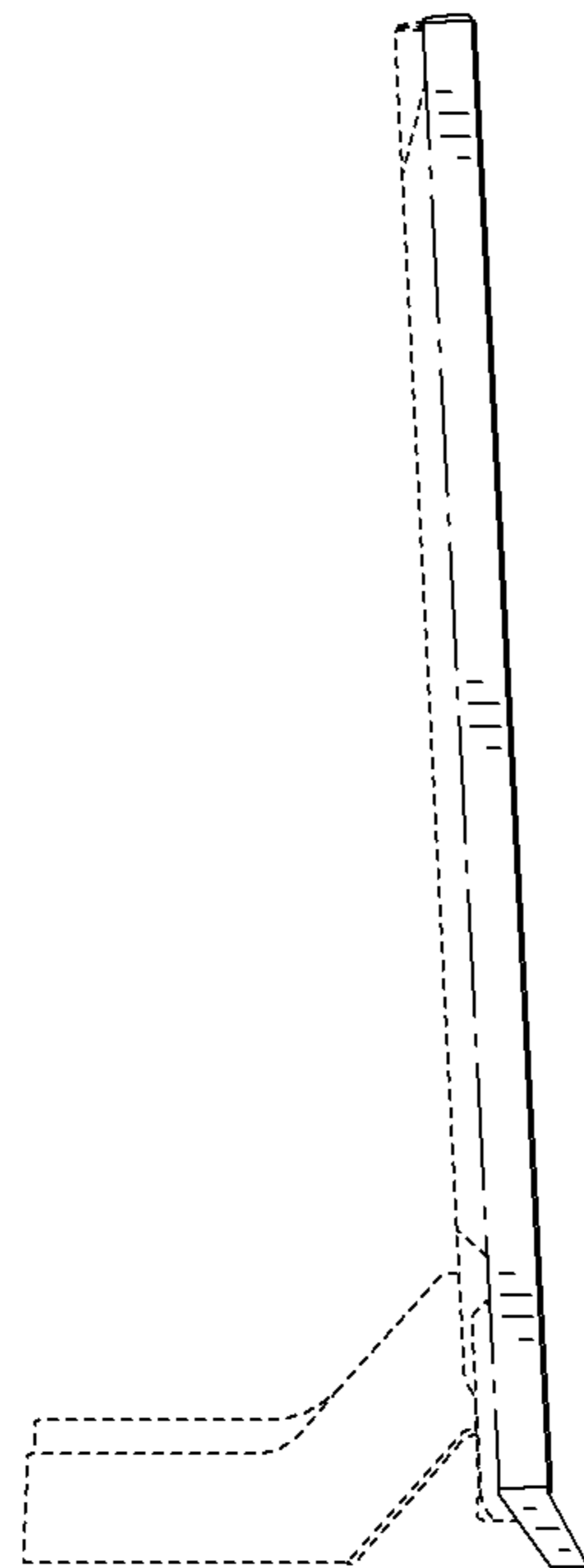


FIG. 5

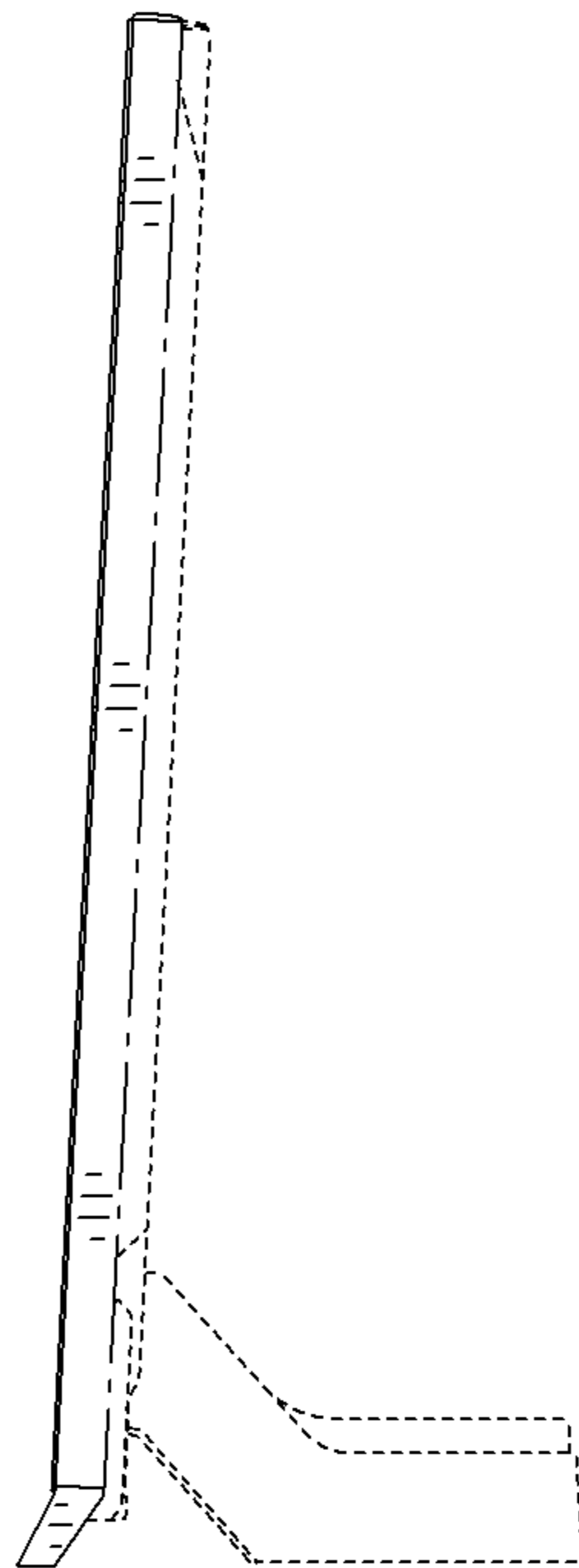


FIG. 6



FIG. 7

