

US00D709843S

(12) **United States Design Patent**  
**Inoue et al.**

(10) **Patent No.:** **US D709,843 S**  
(45) **Date of Patent:** **\*\* Jul. 29, 2014**

(54) **TELEVISION APPARATUS**  
(71) Applicant: **Panasonic Corporation**, Osaka (JP)  
(72) Inventors: **Takashi Inoue**, Nara (JP); **Yuki Sugiyama**, Osaka (JP)  
(73) Assignee: **Panasonic Corporation**, Osaka (JP)  
(\*\*) Term: **14 Years**

(21) Appl. No.: **29/434,908**

(22) Filed: **Oct. 18, 2012**

(30) **Foreign Application Priority Data**

Jul. 6, 2012 (JP) ..... 2012-016081

(51) **LOC (10) Cl.** ..... **14-03**

(52) **U.S. Cl.**  
USPC ..... **D14/126**

(58) **Field of Classification Search**

CPC ... G06F 1/1601; G06F 1/1643; H05K 5/0004;  
H05K 5/0017; H05K 5/02; H05K 5/0217  
USPC ..... D14/125-134, 239, 371, 136, 374-377,  
D14/440, 450, 448, 336, 342, 159; 312/7.2;  
348/836, 838, 180, 184, 325, 739;  
248/917-924, 465; 345/104, 133, 156,  
345/168, 87, 173; D21/329, 515, 577, 622,  
D21/333, 433, 448, 452, 450, 331, 505;  
D10/15, 26; 446/484, 175, 356;  
D6/477, 479, 300

See application file for complete search history.

(56) **References Cited**

**U.S. PATENT DOCUMENTS**

D618,640 S \* 6/2010 Won et al. .... D14/126  
D636,358 S \* 4/2011 Kim et al. .... D14/126

D639,256 S 6/2011 Lee et al.  
D656,116 S \* 3/2012 Kim et al. .... D14/126  
D656,912 S \* 4/2012 Lee et al. .... D14/126  
D658,613 S \* 5/2012 Lee et al. .... D14/126  
D670,256 S \* 11/2012 Kim et al. .... D14/126  
D680,087 S \* 4/2013 Fujii et al. .... D14/126  
D684,944 S \* 6/2013 Seong ..... D14/126  
D690,674 S \* 10/2013 Lu et al. .... D14/126  
D691,573 S \* 10/2013 Iida et al. .... D14/126

\* cited by examiner

*Primary Examiner* — Raphael Barkai

(74) *Attorney, Agent, or Firm* — Panasonic Patent Center

(57) **CLAIM**

We claim the ornamental design for a television apparatus, as shown and described.

**DESCRIPTION**

FIG. 1 is a front perspective view of a television apparatus of the present invention;  
FIG. 2 is a front view thereof;  
FIG. 3 is a rear view thereof;  
FIG. 4 is a first side view thereof;  
FIG. 5 is a second side view thereof;  
FIG. 6 is a top view thereof;  
FIG. 7 is a bottom view thereof;  
FIG. 8 is a cross-sectional view taken along the line 8-8 of FIG. 2;  
FIG. 9 is a an enlarged view taken along the line 9-9 of FIG. 1;  
FIG. 10 is a an enlarged view taken along the line 10-10 of FIG. 6; and,  
FIG. 11 is a an enlarged view taken along the line 11-11 of FIG. 5.

The broken line showing of television apparatus is included for the purpose of illustrating environment and forms no part of the claimed design.

**1 Claim, 11 Drawing Sheets**

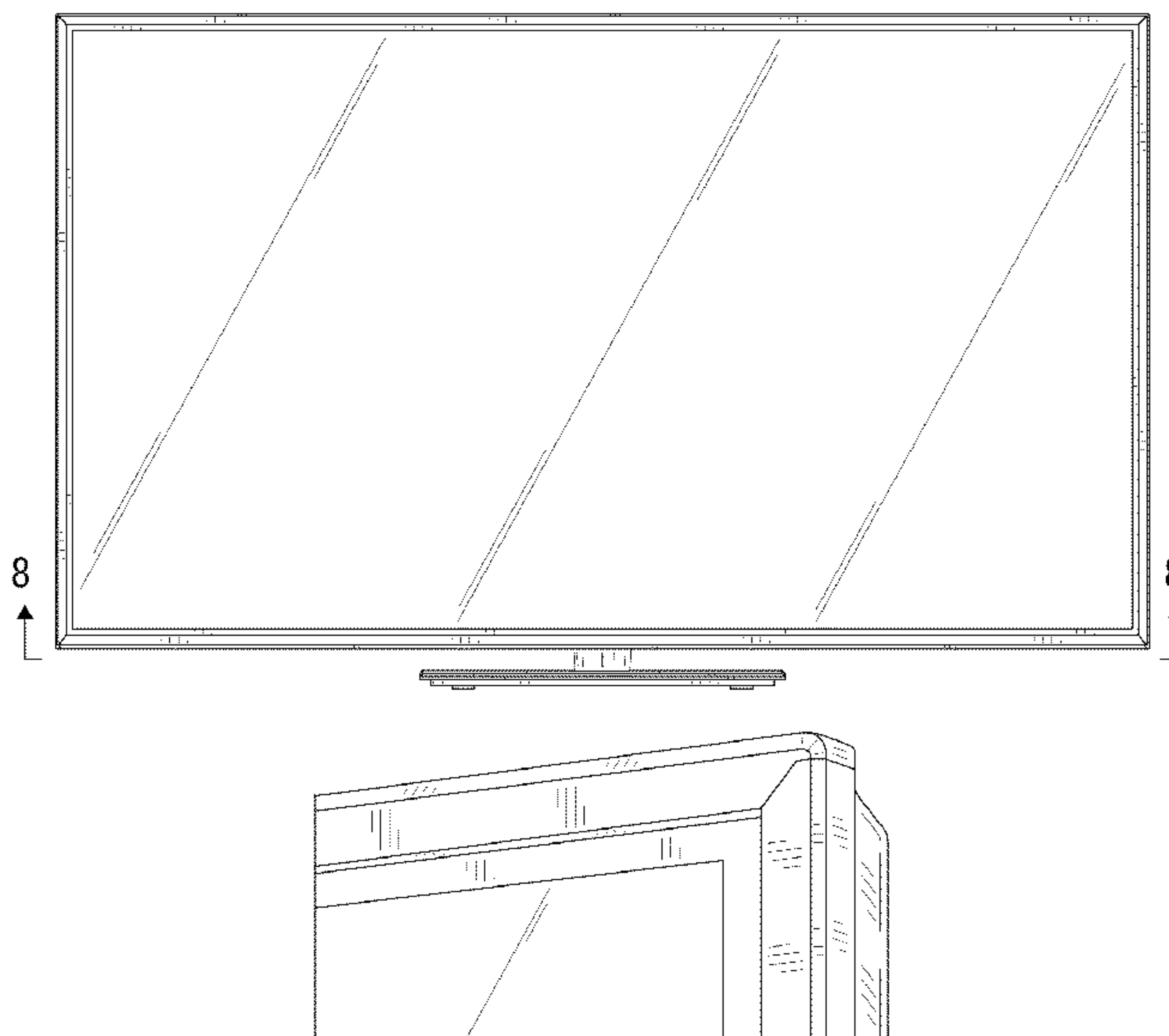


FIG. 1

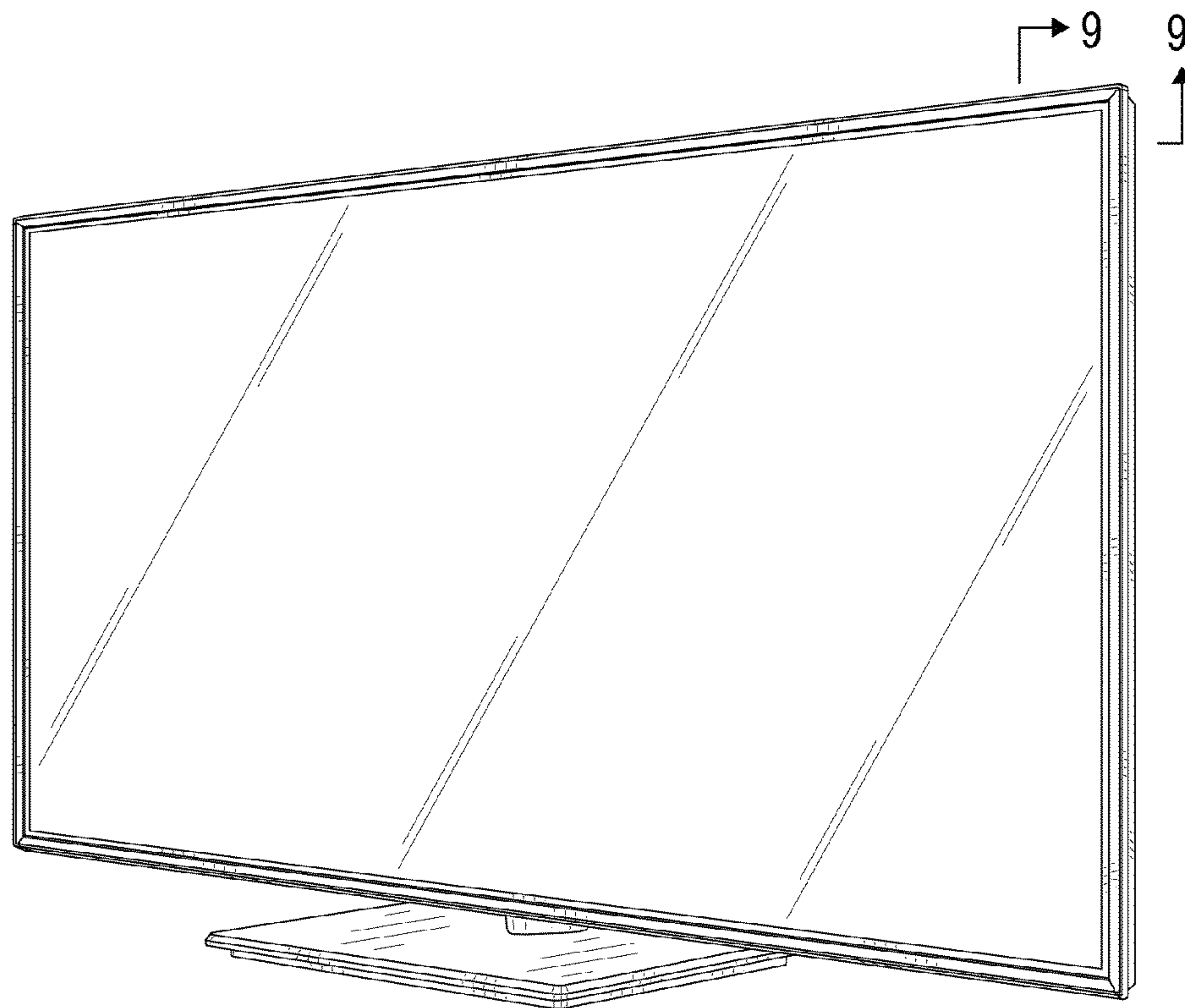


FIG. 2

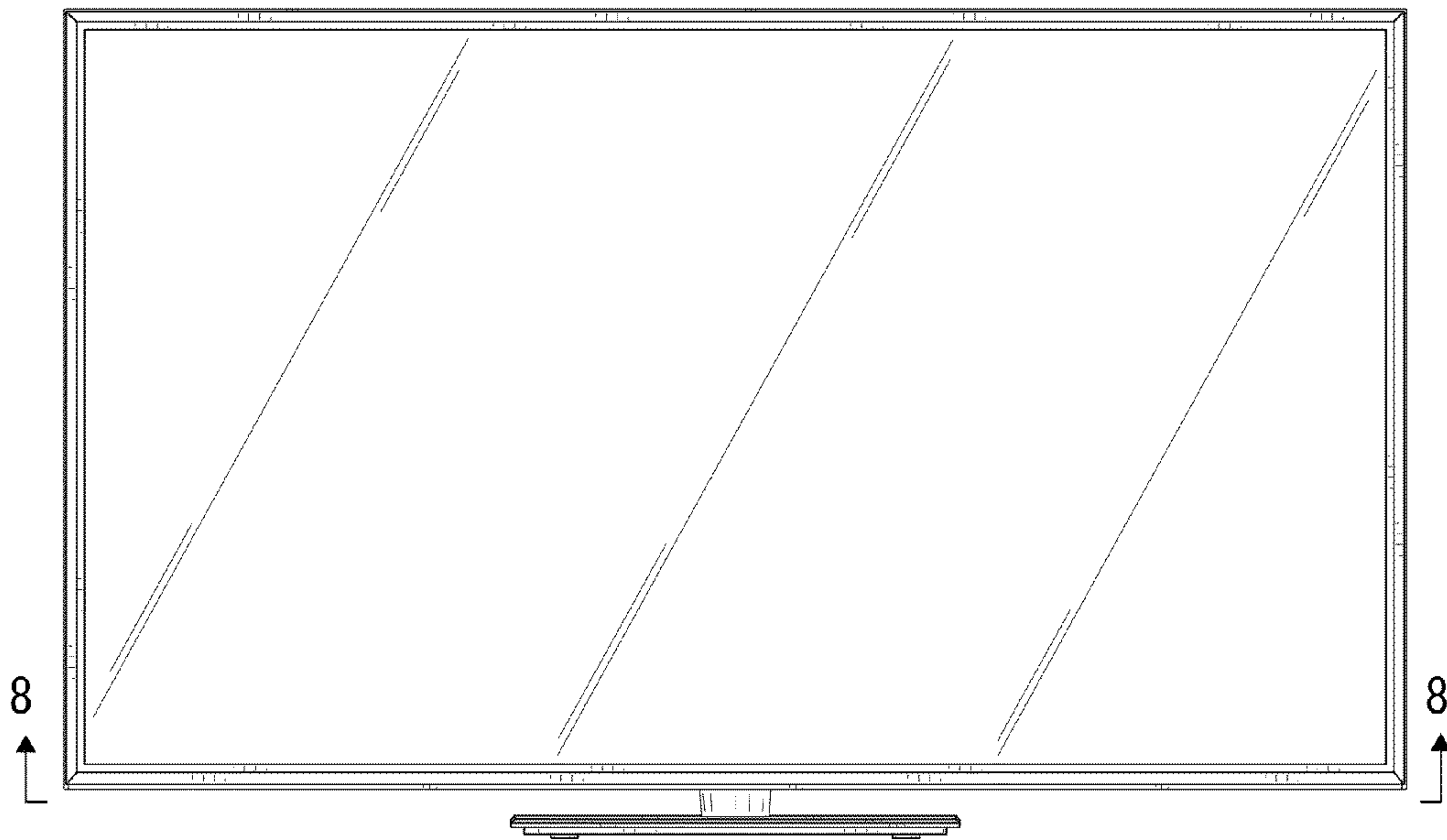


FIG. 3

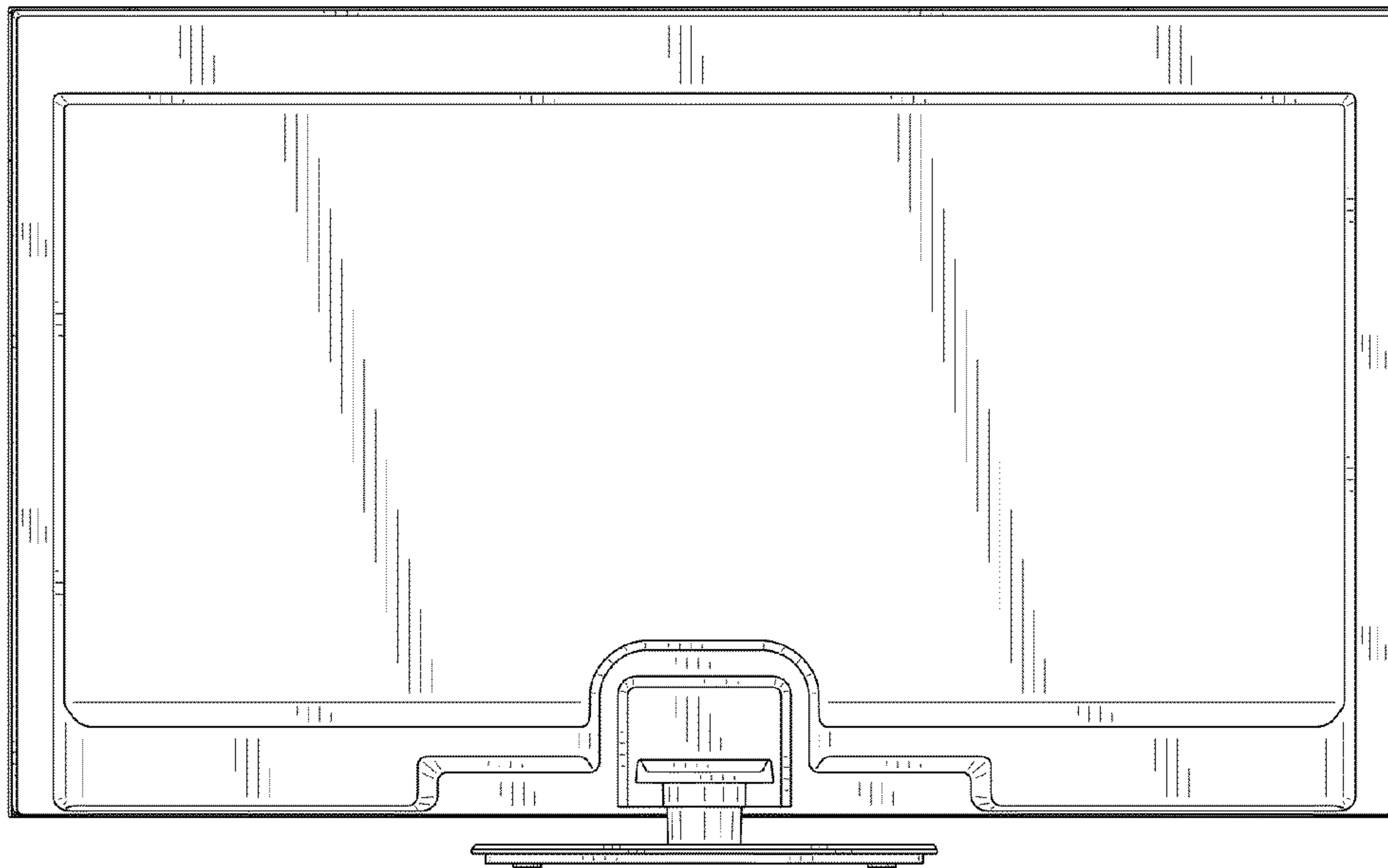


FIG. 4

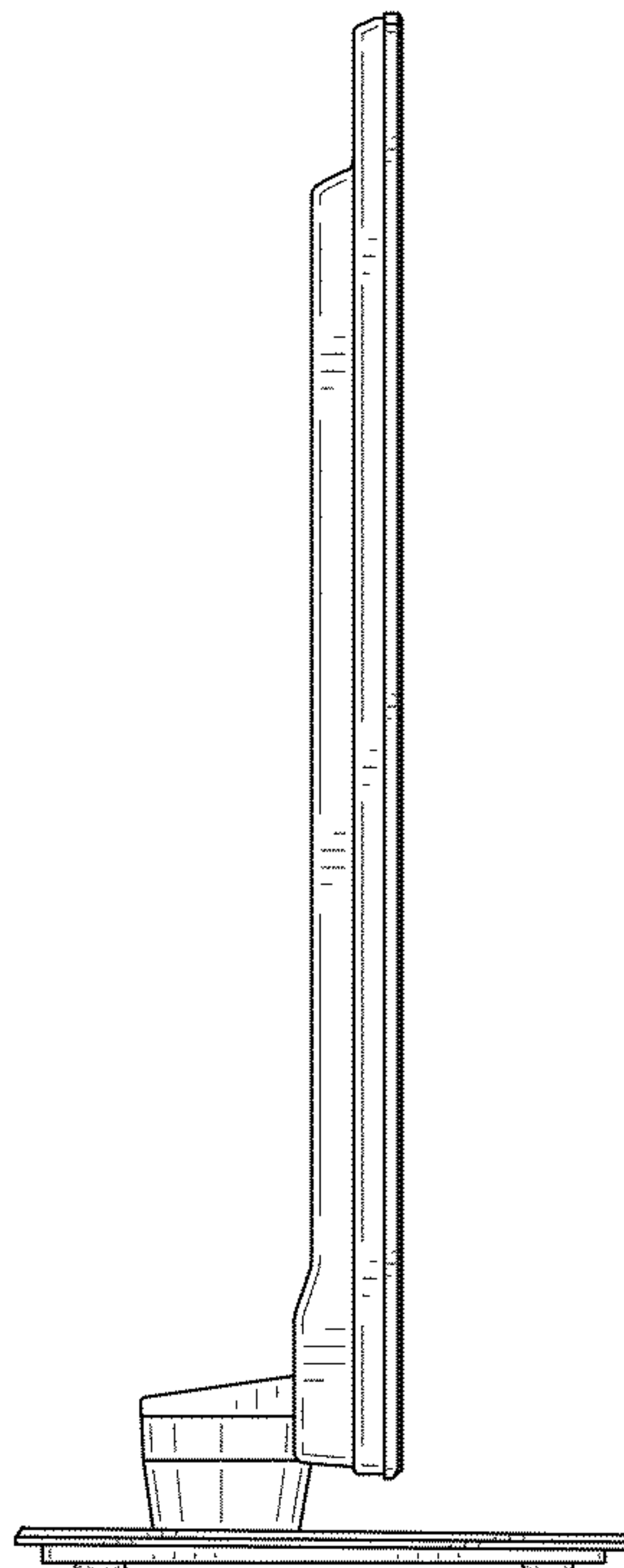


FIG. 5

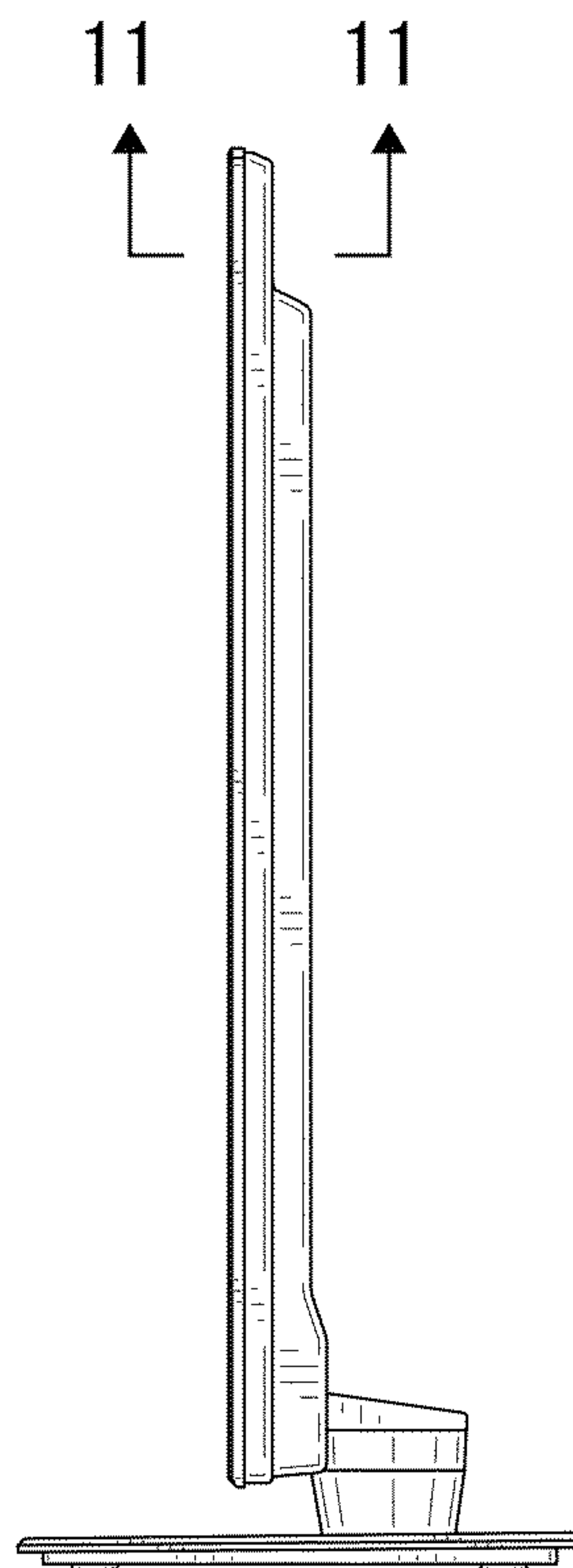


FIG. 6

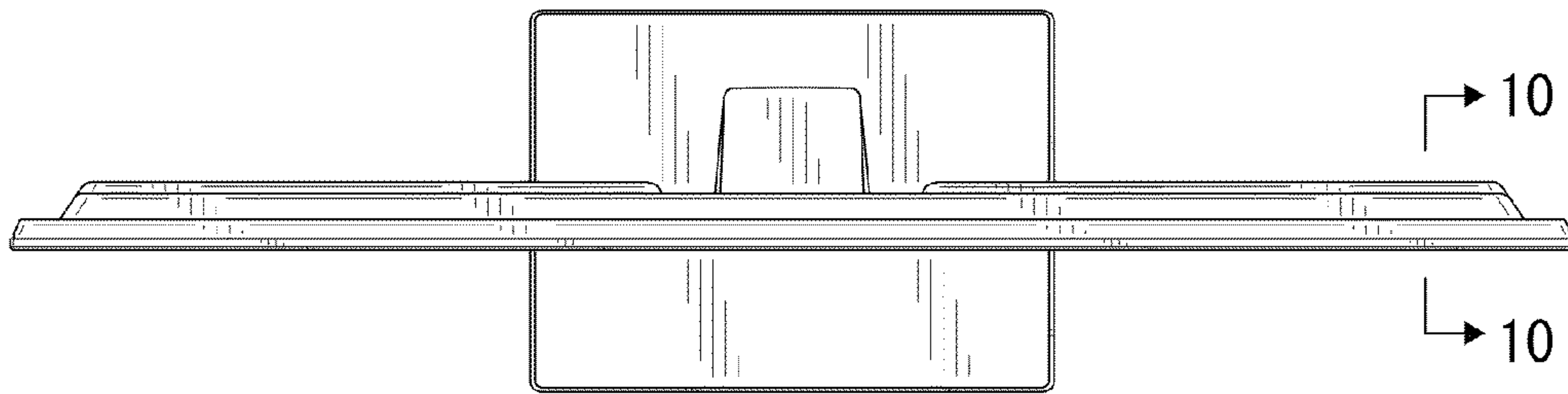


FIG. 7

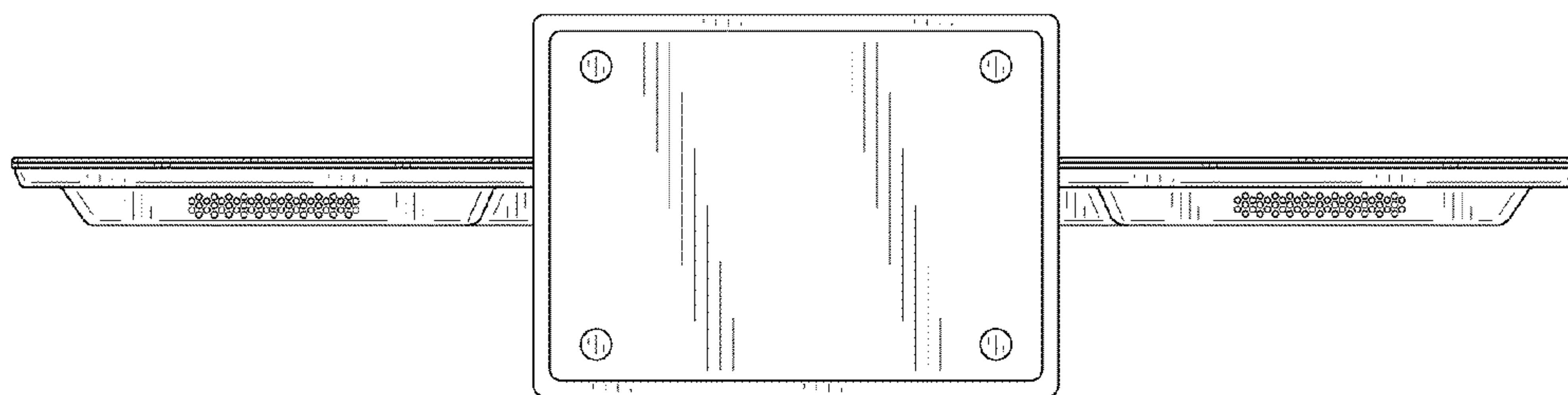




FIG. 8

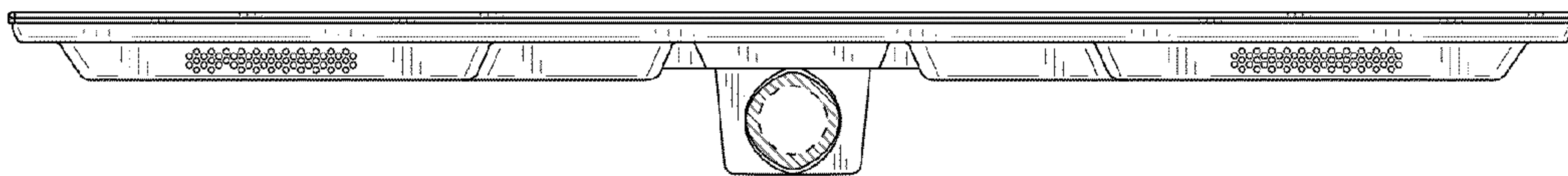


FIG. 9

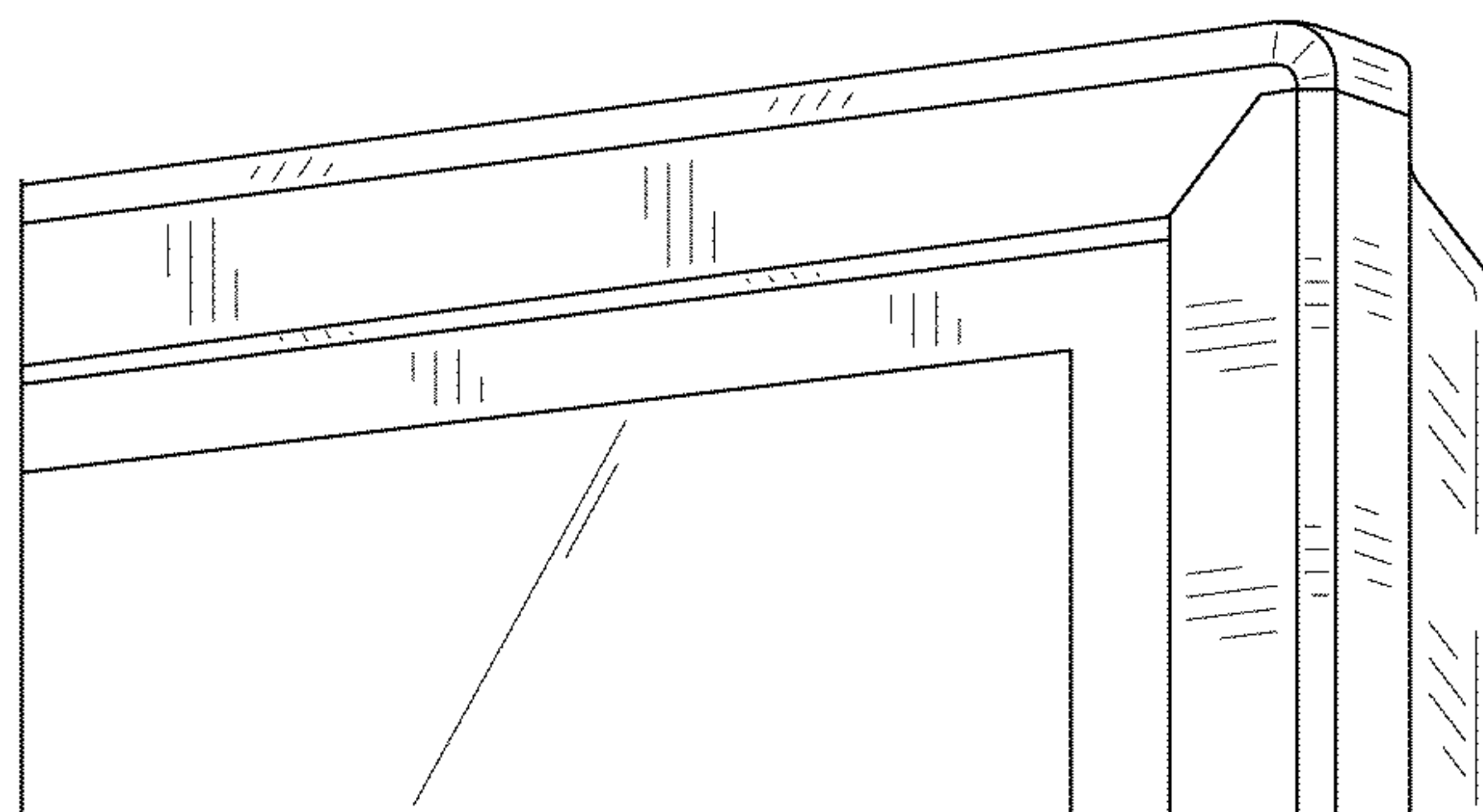


FIG. 10

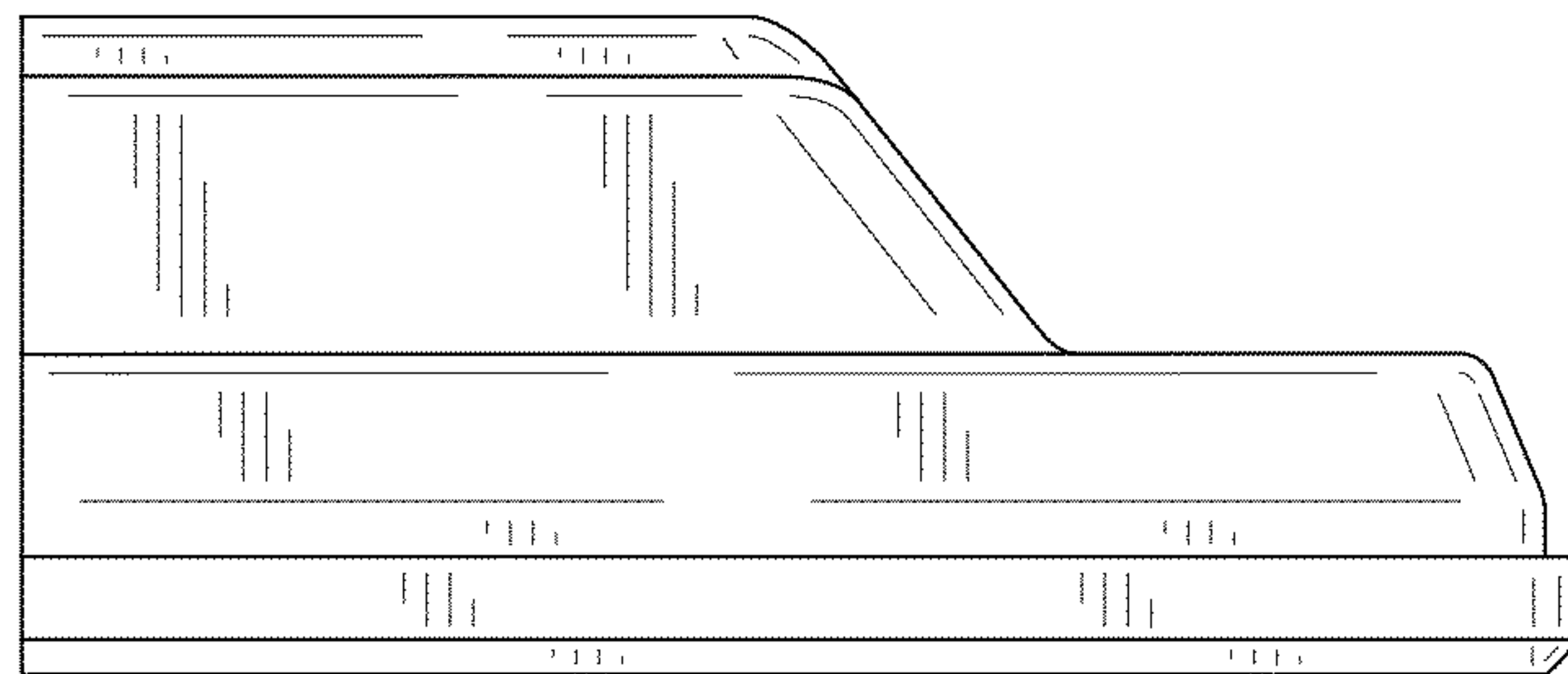


FIG. 11

