



US00D709842S

(12) **United States Design Patent**  
**Lee et al.**

(10) **Patent No.:** **US D709,842 S**  
(45) **Date of Patent:** **\*\* Jul. 29, 2014**

(54) **TV RECEIVER**

(71) Applicant: **Samsung Electronics Co., Ltd.**,  
Suwon-si (KR)  
(72) Inventors: **Ok-Keun Lee**, Suwon (KR); **Jun-Ho Yang**, Seongnam (KR); **Eui-Seok Kim**,  
Seongnam (KR)  
(73) Assignee: **Samsung Electronics Co., Ltd.**,  
Suwon-si, Gyeonggi-do (KR)

(\*\*) Term: **14 Years**

(21) Appl. No.: **29/433,871**

(22) Filed: **Oct. 5, 2012**

(30) **Foreign Application Priority Data**

May 22, 2012 (KR) ..... 30-2012-0025237

(51) **LOC (10) Cl.** ..... **14-03**

(52) **U.S. Cl.**  
USPC ..... **D14/126**

(58) **Field of Classification Search**  
USPC ..... D14/125-134, 239, 371, 136, 374-377,  
D14/440, 450, 448, 336, 342, 159; 312/7.2;  
348/836, 838, 180, 184, 325, 739;  
248/917-924, 465; 345/104, 133, 156,  
345/168, 87, 173; D21/329, 515, 577, 622,  
D21/333, 433, 448, 452, 450, 331, 505;  
D10/15, 26; 446/484, 175, 356;  
D6/477, 479, 300

See application file for complete search history.

(56) **References Cited**

**U.S. PATENT DOCUMENTS**

D439,225 S \* 3/2001 Kita ..... D14/126  
D477,292 S \* 7/2003 Inoue et al. .... D14/129  
D483,726 S \* 12/2003 Teng et al. .... D14/126

D512,387 S \* 12/2005 Kita ..... D14/126  
D524,313 S \* 7/2006 Boo et al.  
D541,236 S \* 4/2007 Kim et al.  
D542,749 S \* 5/2007 Kim et al.  
D554,085 S \* 10/2007 Kita ..... D14/126  
D564,987 S \* 3/2008 Shimizu et al. .... D14/126  
D584,310 S \* 1/2009 Kim et al.  
D591,250 S \* 4/2009 Yoshimura ..... D14/126  
D626,101 S \* 10/2010 Kim et al.  
D626,103 S \* 10/2010 Buzzard et al. .... D14/126  
D643,456 S \* 8/2011 Won et al.  
D656,471 S \* 3/2012 Han et al. .... D14/126  
D659,663 S \* 5/2012 Xu et al. .... D14/126  
D669,870 S \* 10/2012 Kim et al. .... D14/126  
D671,083 S \* 11/2012 Kim et al. .... D14/126  
2003/0058372 A1 \* 3/2003 Williams et al. .... 348/836

**OTHER PUBLICATIONS**

U.S. Appl. No. 29/429,988, Applicant: Hee-Bong Kim et al., filed Aug. 20, 2012 entitled TV Receiver.

\* cited by examiner

*Primary Examiner* — Raphael Barkai

(74) *Attorney, Agent, or Firm* — Flynn, Thiel, Boutell & Tanis, P.C.

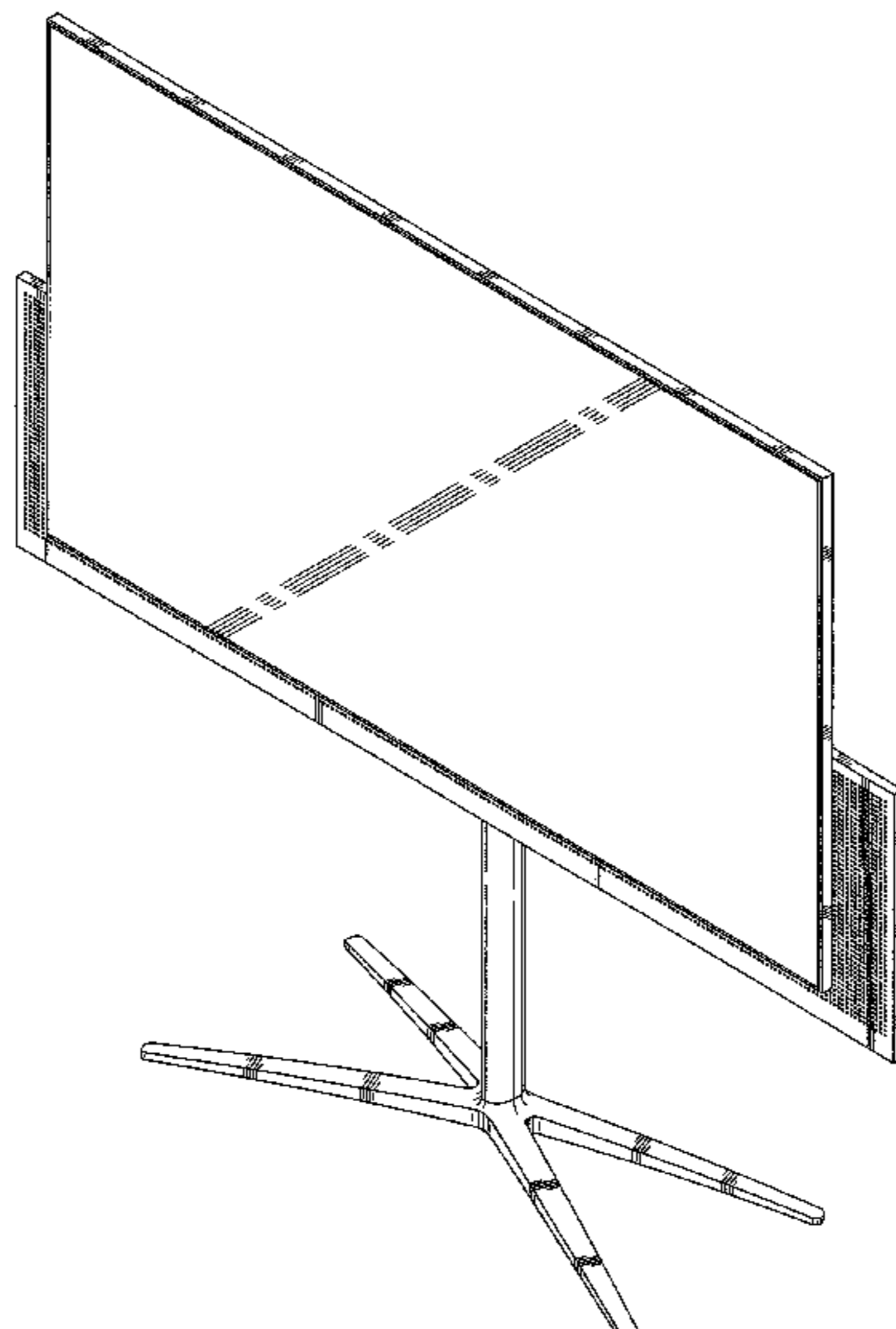
(57) **CLAIM**

The ornamental design for a TV receiver, as shown and described.

**DESCRIPTION**

FIG. 1 is a top front perspective view of a TV receiver showing our new design;  
FIG. 2 is a front elevational view thereof;  
FIG. 3 is a rear elevational view thereof;  
FIG. 4 is a left side elevational view thereof;  
FIG. 5 is a right side elevational view thereof;  
FIG. 6 is a top plan view thereof; and,  
FIG. 7 is a bottom plan view thereof.

**1 Claim, 5 Drawing Sheets**



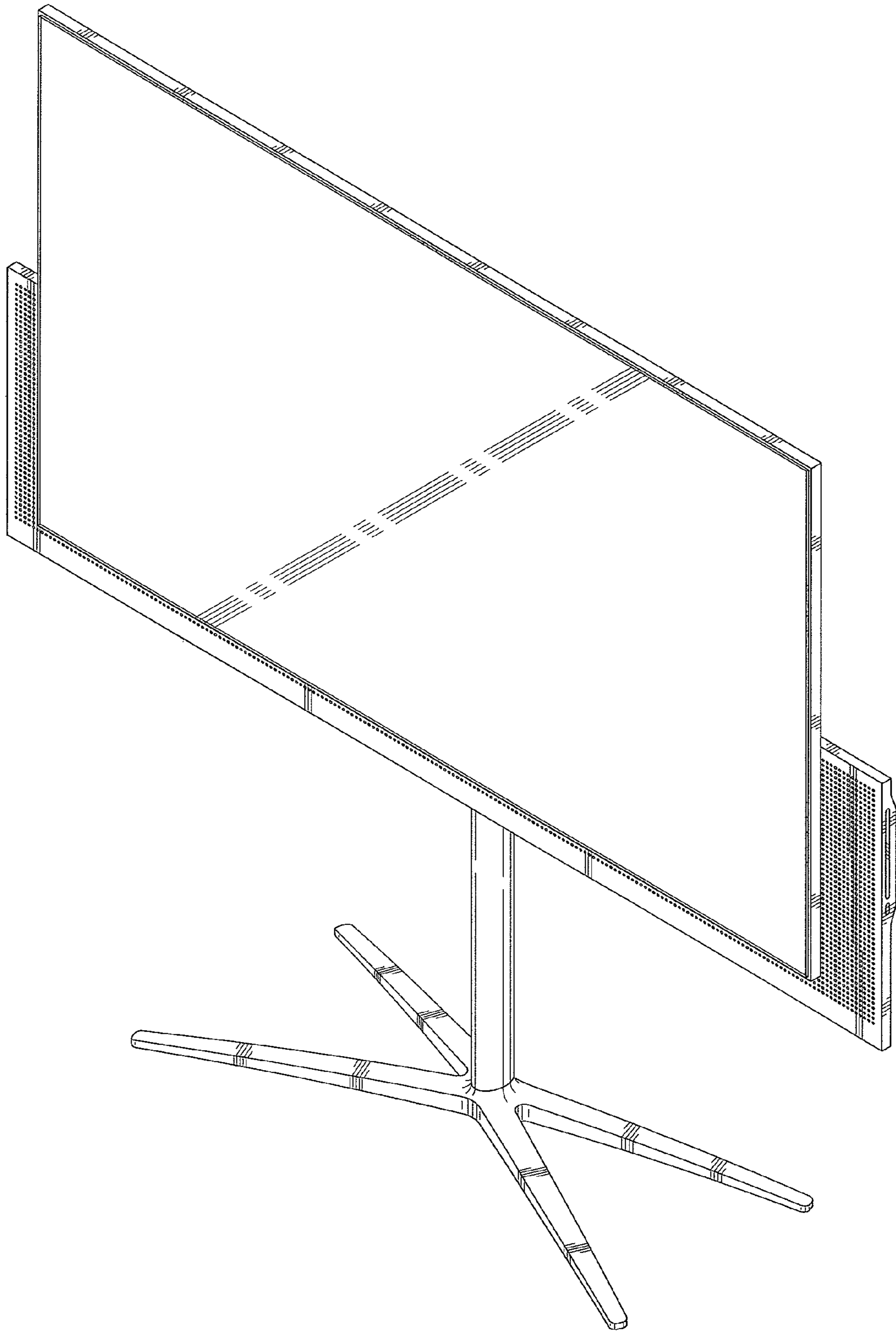


FIG.1

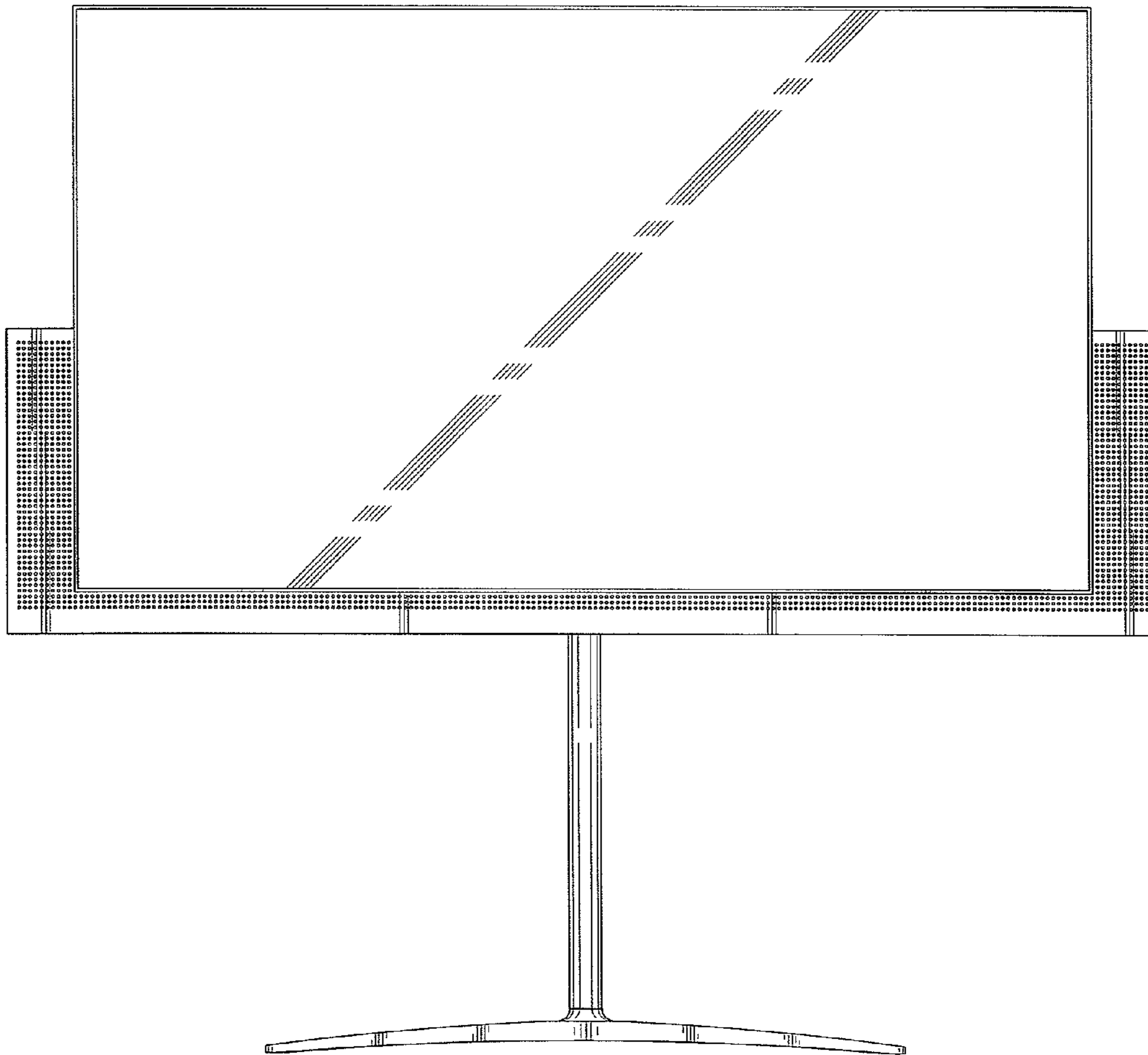


FIG. 2

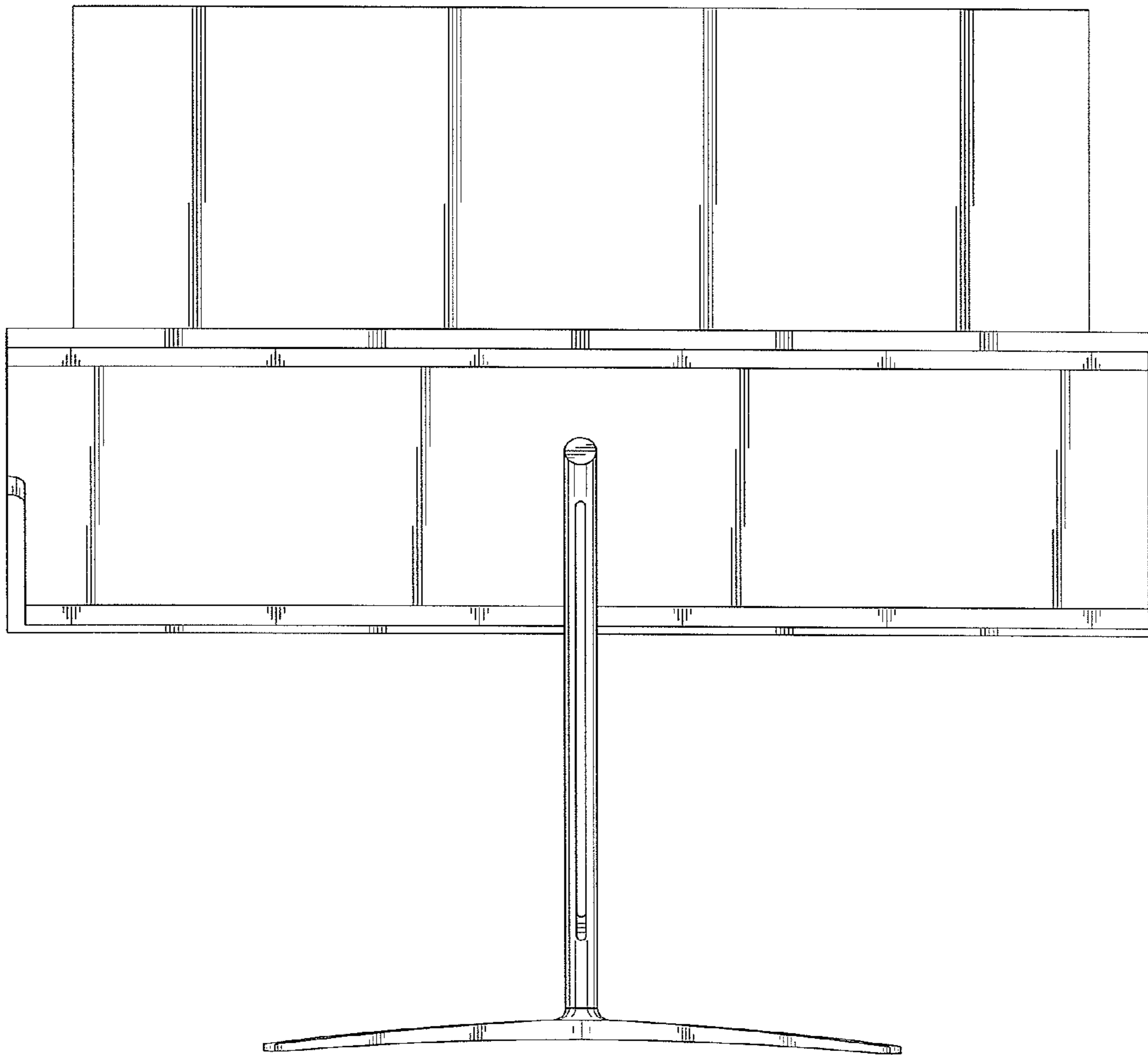


FIG.3

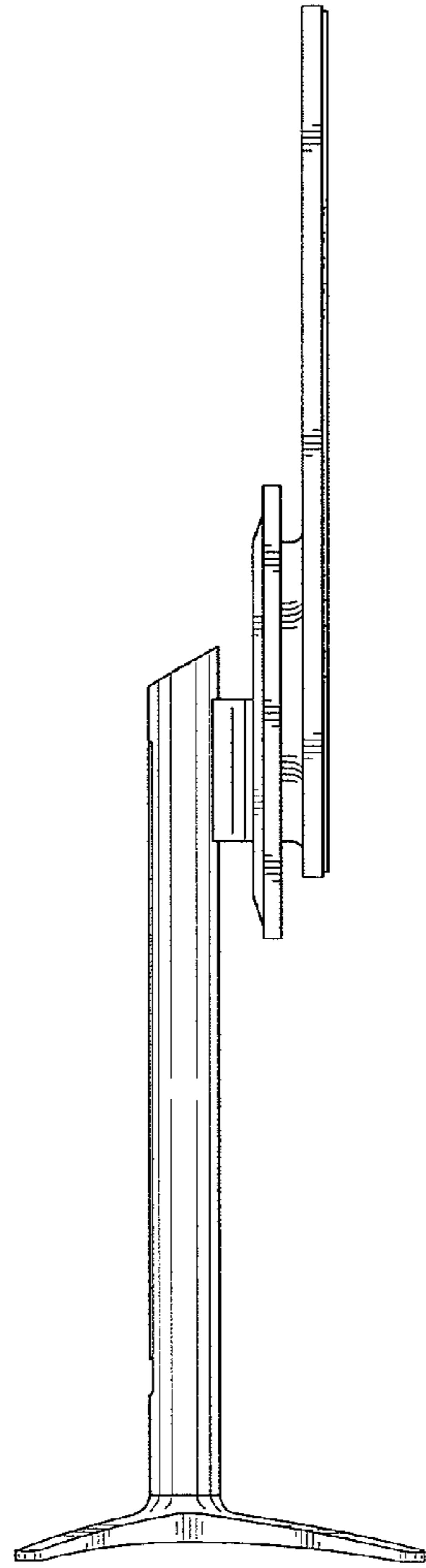


FIG. 4

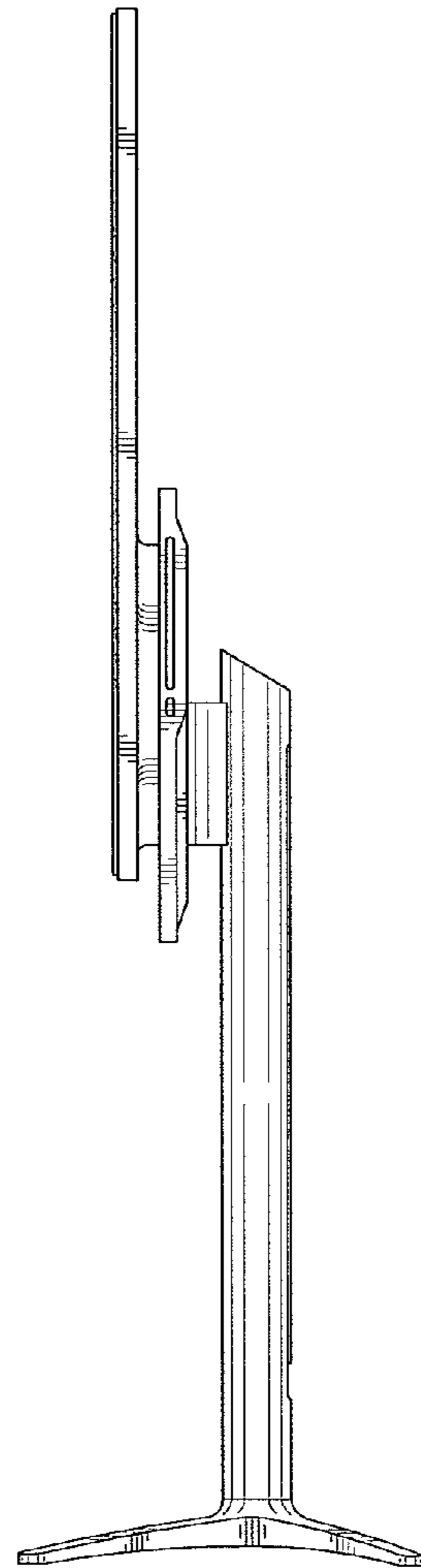


FIG. 5

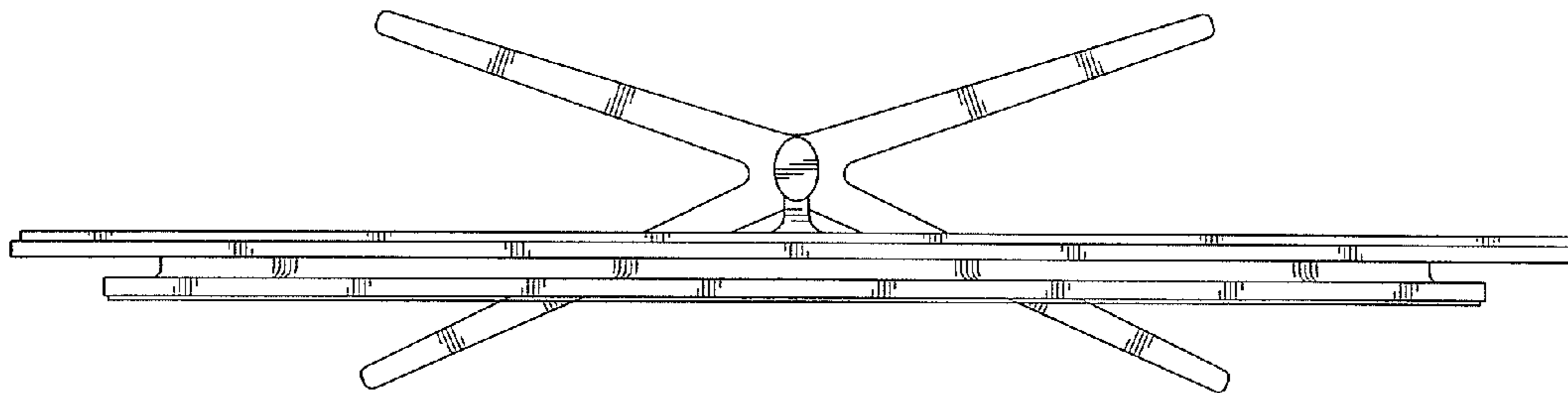


FIG. 6

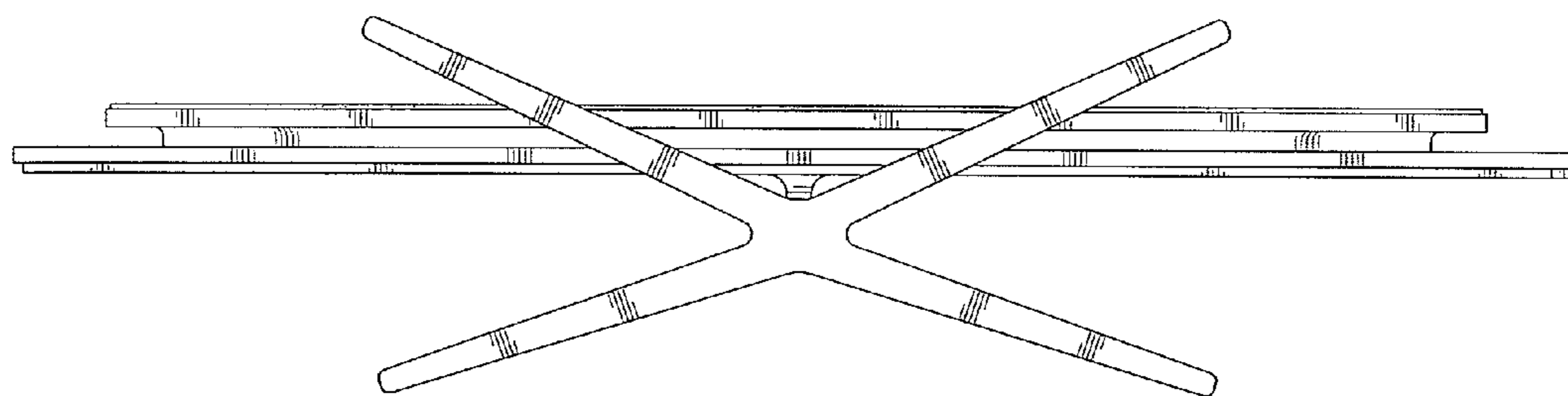


FIG. 7