



US00D709840S

(12) **United States Design Patent**
Tsai et al.

(10) **Patent No.:** **US D709,840 S**
(45) **Date of Patent:** **** Jul. 29, 2014**

- (54) **LIGHT-EMITTING DIODE**
- (71) Applicant: **Epistar Corporation**, Hsinchu (TW)
- (72) Inventors: **Fu-Chun Tsai**, Hsinchu (TW); **Yi-Wen Huang**, Hsinchu (TW); **Shih-I Chen**, Hsinchu (TW); **Chia-Liang Hsu**, Hsinchu (TW)
- (73) Assignee: **Epistar Corporation**, Hsinchu (TW)
- (**) Term: **14 Years**
- (21) Appl. No.: **29/451,515**
- (22) Filed: **Apr. 3, 2013**

- (30) **Foreign Application Priority Data**
Oct. 3, 2012 (TW) 101305813 A
- (51) **LOC (10) Cl.** **13-03**
- (52) **U.S. Cl.**
USPC **D13/180**
- (58) **Field of Classification Search**
CPC ... H01L 25/167; H01L 25/0753; H01L 27/15;
H01L 27/156; H01L 31/02; H01L 33/00;
H01L 33/04; H01L 33/08; H01L 33/10;
H01L 33/20; H01L 33/28; H01L 33/42;
H01L 33/4862; H01L 33/483; H01L 33/486
USPC D13/180; D26/1; 257/79, 80, 81, 88,
257/89, 95, 98, 99, 100, E33.058; 313/483,
313/498, 500; 362/555, 800
See application file for complete search history.

- (56) **References Cited**
U.S. PATENT DOCUMENTS
D579,019 S * 10/2008 Lei et al. D14/435
7,544,971 B2 * 6/2009 Chen 257/80

D648,287	S *	11/2011	Hsu et al.	D13/180
D656,908	S *	4/2012	Hsu et al.	D13/180
8,309,971	B2 *	11/2012	Seo et al.	257/79
8,344,392	B2 *	1/2013	Yeh et al.	257/79
D681,564	S *	5/2013	Hsu et al.	D13/180
D681,569	S *	5/2013	Yeh et al.	D13/180
8,455,912	B2 *	6/2013	Tanaka et al.	257/99
8,471,242	B2 *	6/2013	Kim et al.	257/13
D689,448	S *	9/2013	Kimura et al.	D13/180
8,541,806	B2 *	9/2013	Kim et al.	257/99
2011/0140160	A1 *	6/2011	Kim et al.	257/99
2012/0037950	A1 *	2/2012	Chiang	257/100
2012/0043575	A1 *	2/2012	Kim et al.	257/98
2013/0234192	A1 *	9/2013	Kim et al.	257/98
2013/0306976	A1 *	11/2013	Haruta	257/76
2014/0034974	A1 *	2/2014	Li	257/88
2014/0034981	A1 *	2/2014	Hung et al.	257/98

* cited by examiner

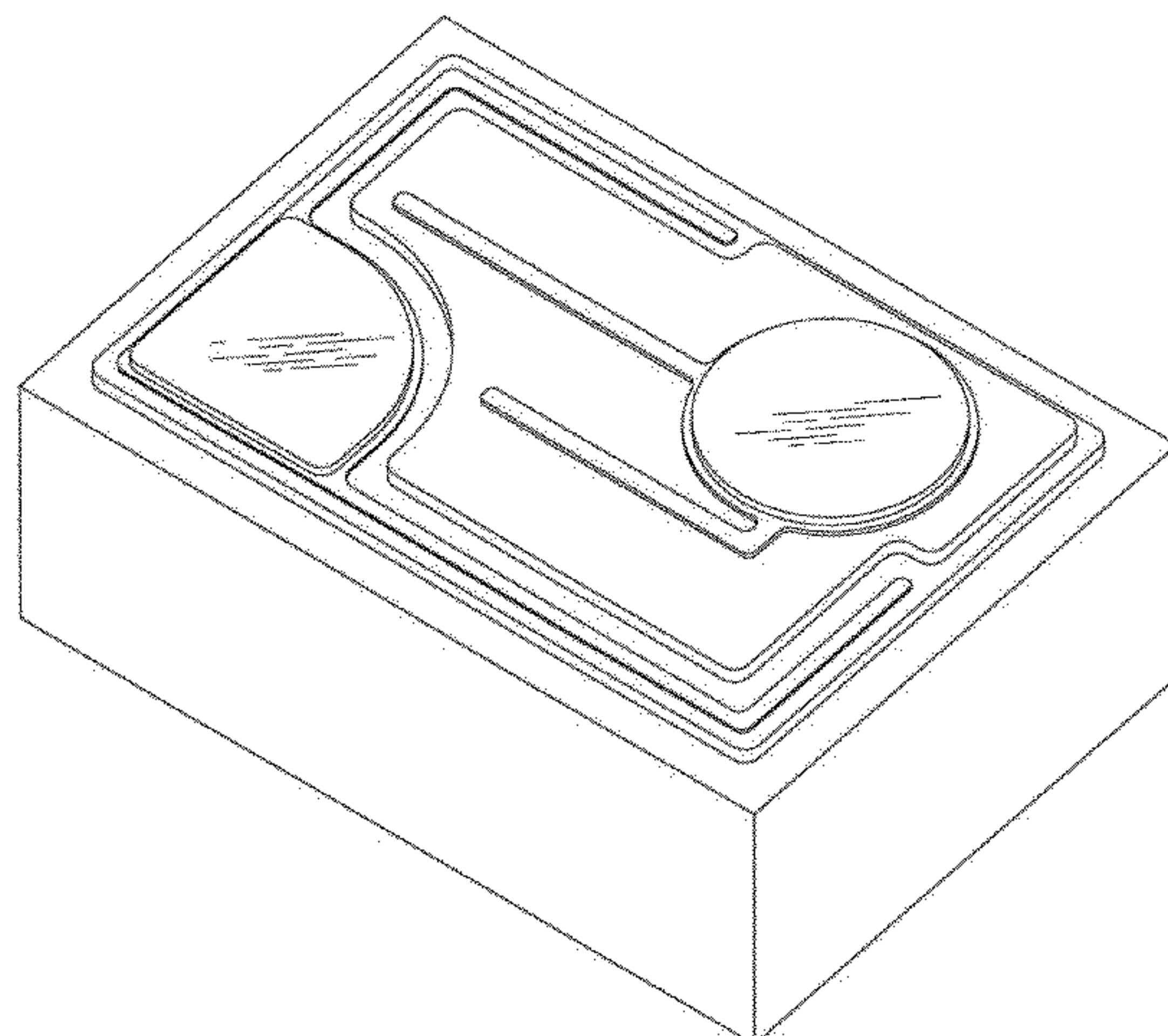
Primary Examiner — Selina Sikder
(74) *Attorney, Agent, or Firm* — Muncy, Geissler, Olds & Lowe, P.C.

(57) **CLAIM**
The ornamental design for a light-emitting diode, as shown and described.

DESCRIPTION

FIG. 1 is a perspective view of a light-emitting diode showing our new design;
FIG. 2 is another perspective view of the light-emitting diode;
FIG. 3 is a front elevational view of the light-emitting diode;
FIG. 4 is a rear elevational view of the light-emitting diode;
FIG. 5 is a left side view of the light-emitting diode;
FIG. 6 is a right side view of the light-emitting diode;
FIG. 7 is a top plan view of the light-emitting diode; and,
FIG. 8 is a bottom plan view of the light-emitting diode.

1 Claim, 7 Drawing Sheets



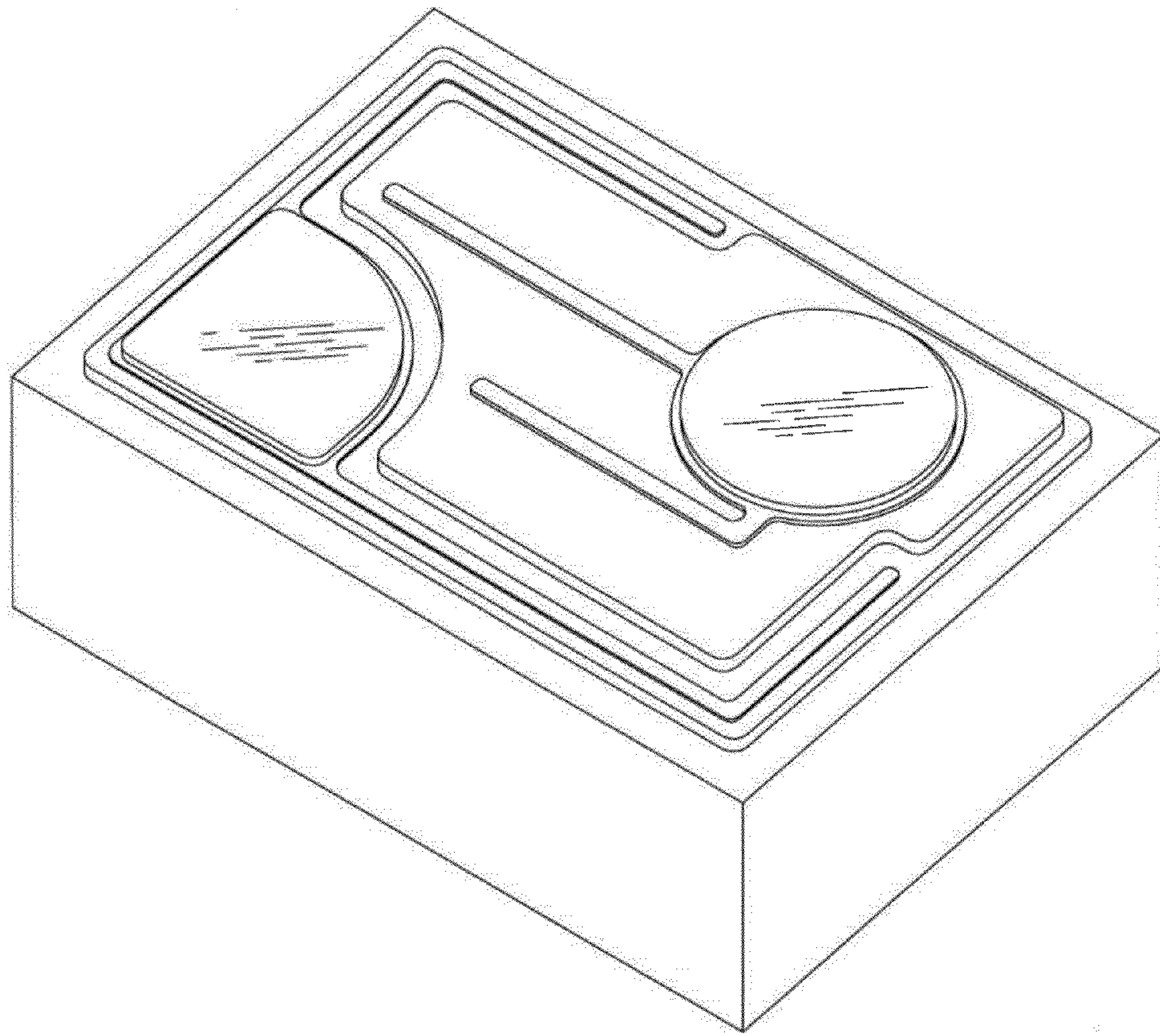


FIG.1

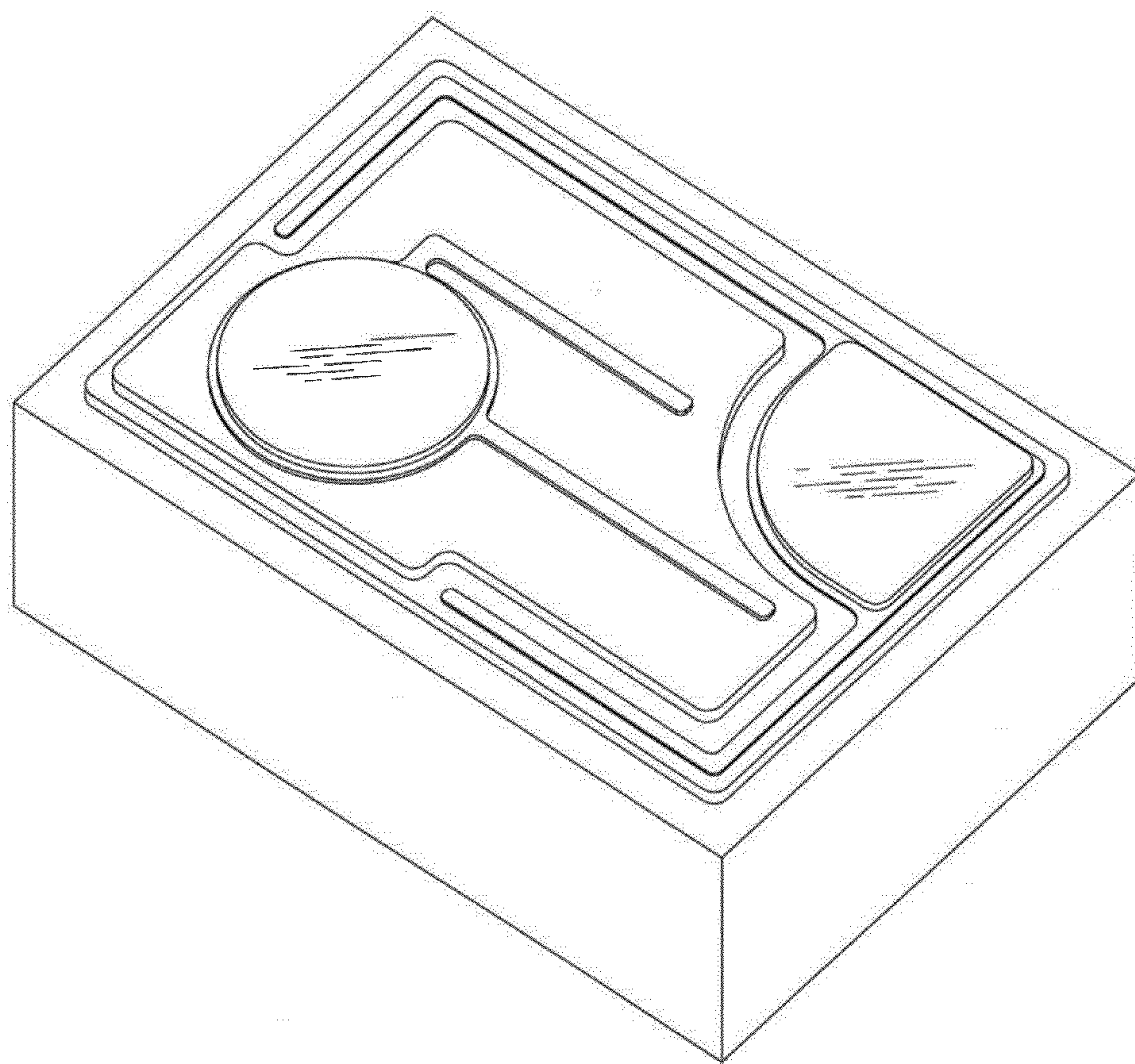


FIG.2

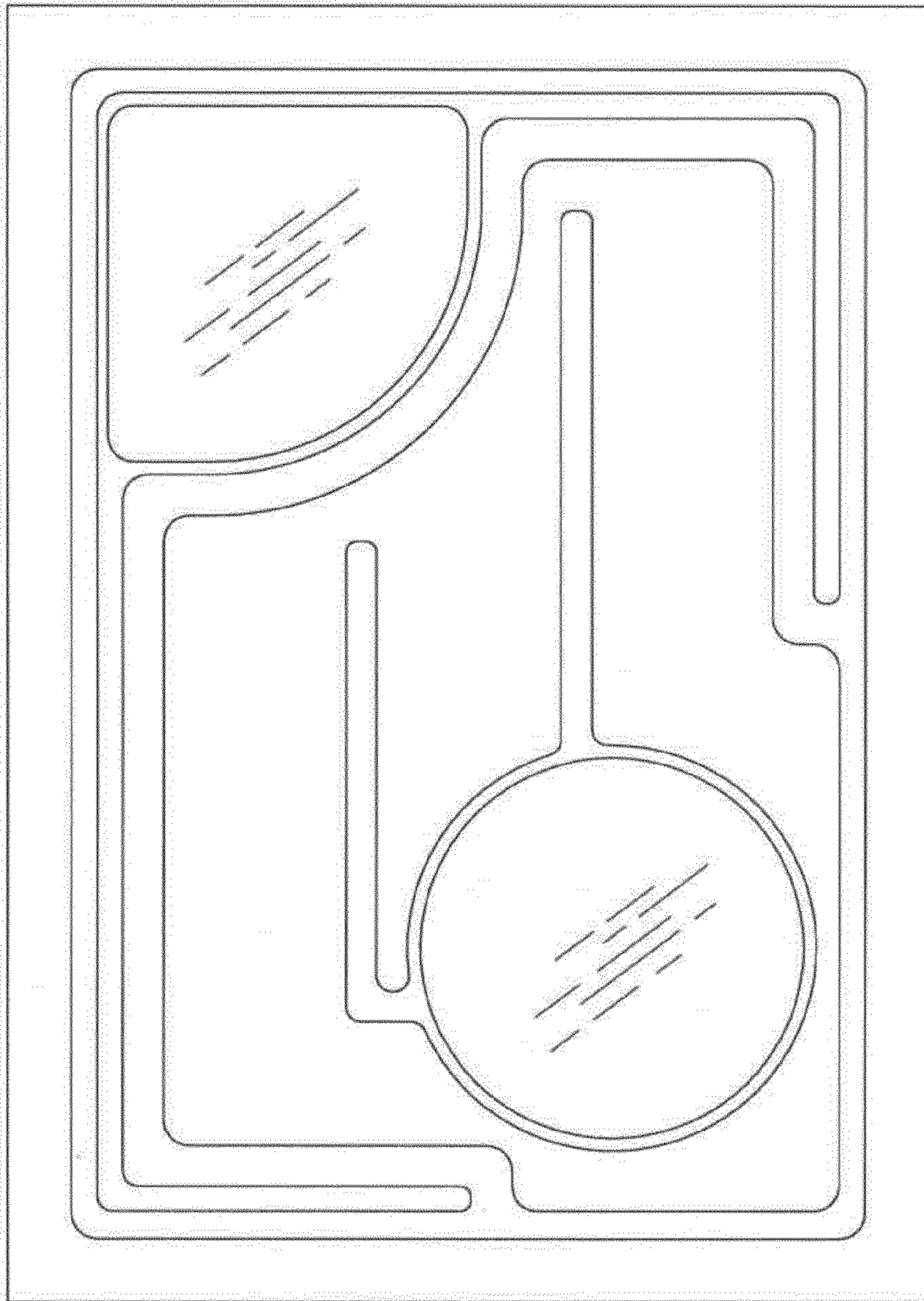


FIG. 3

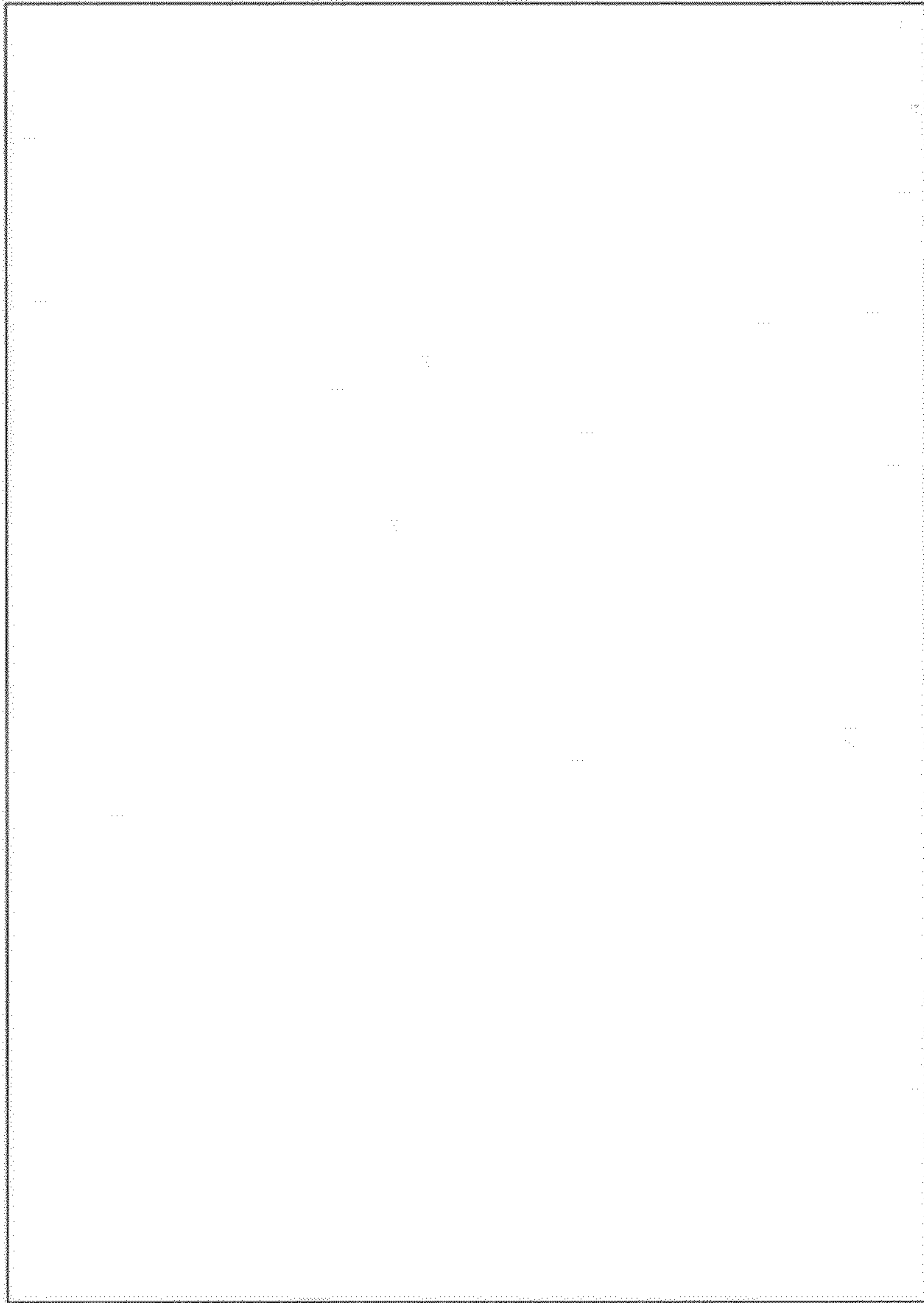


FIG.4

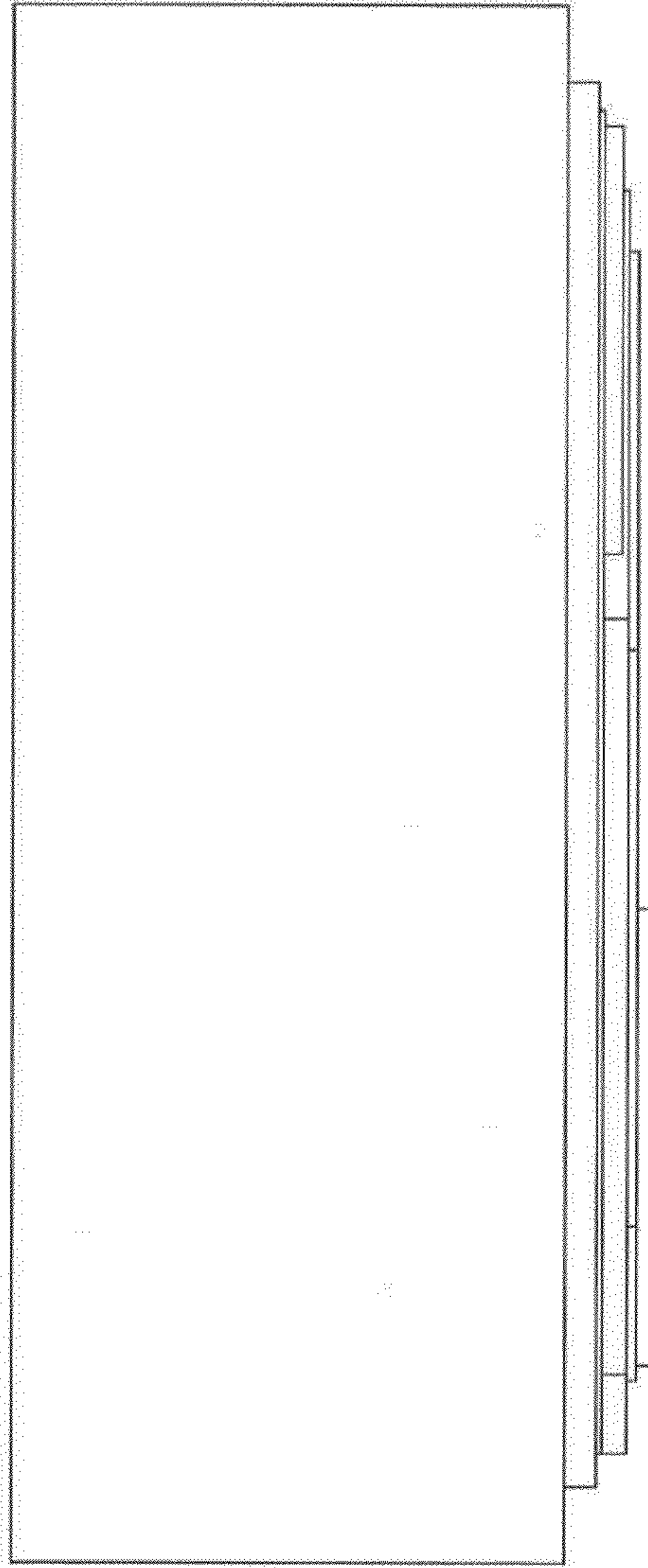


FIG.5

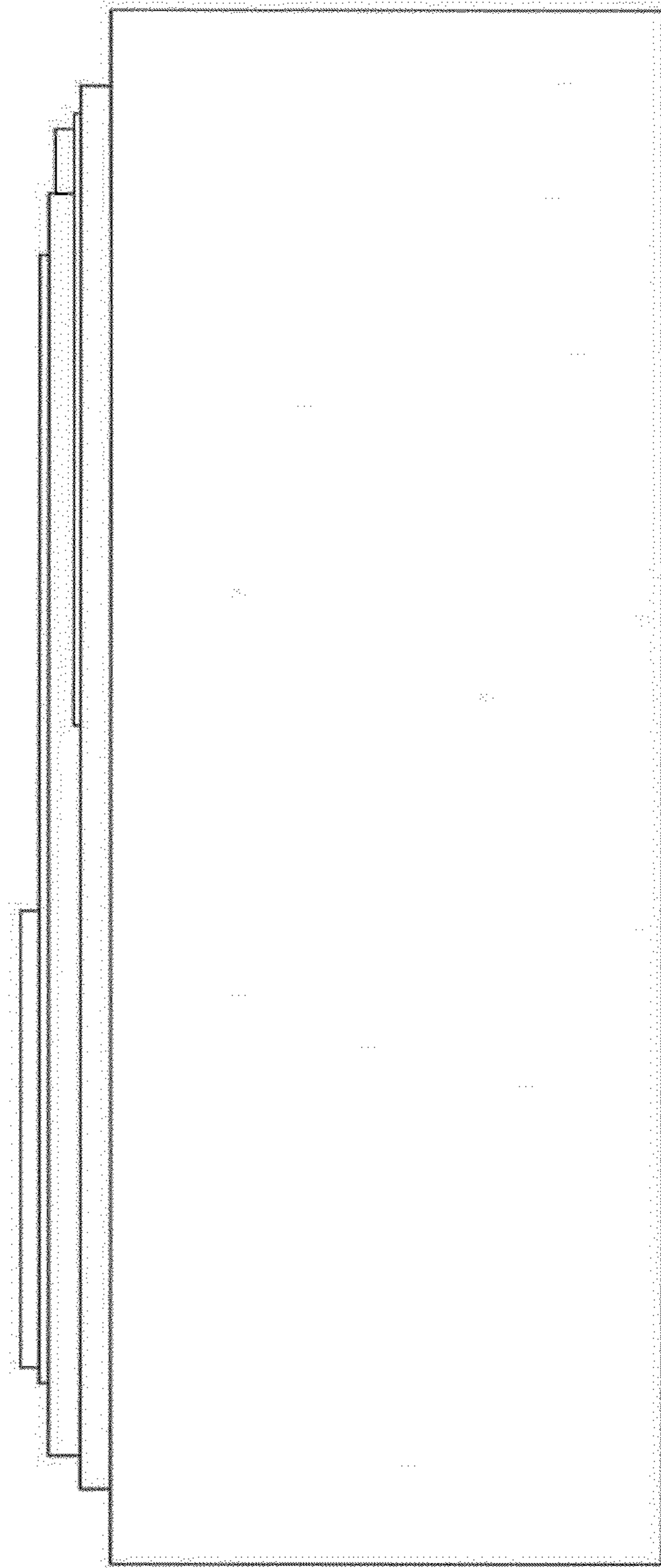


FIG. 6

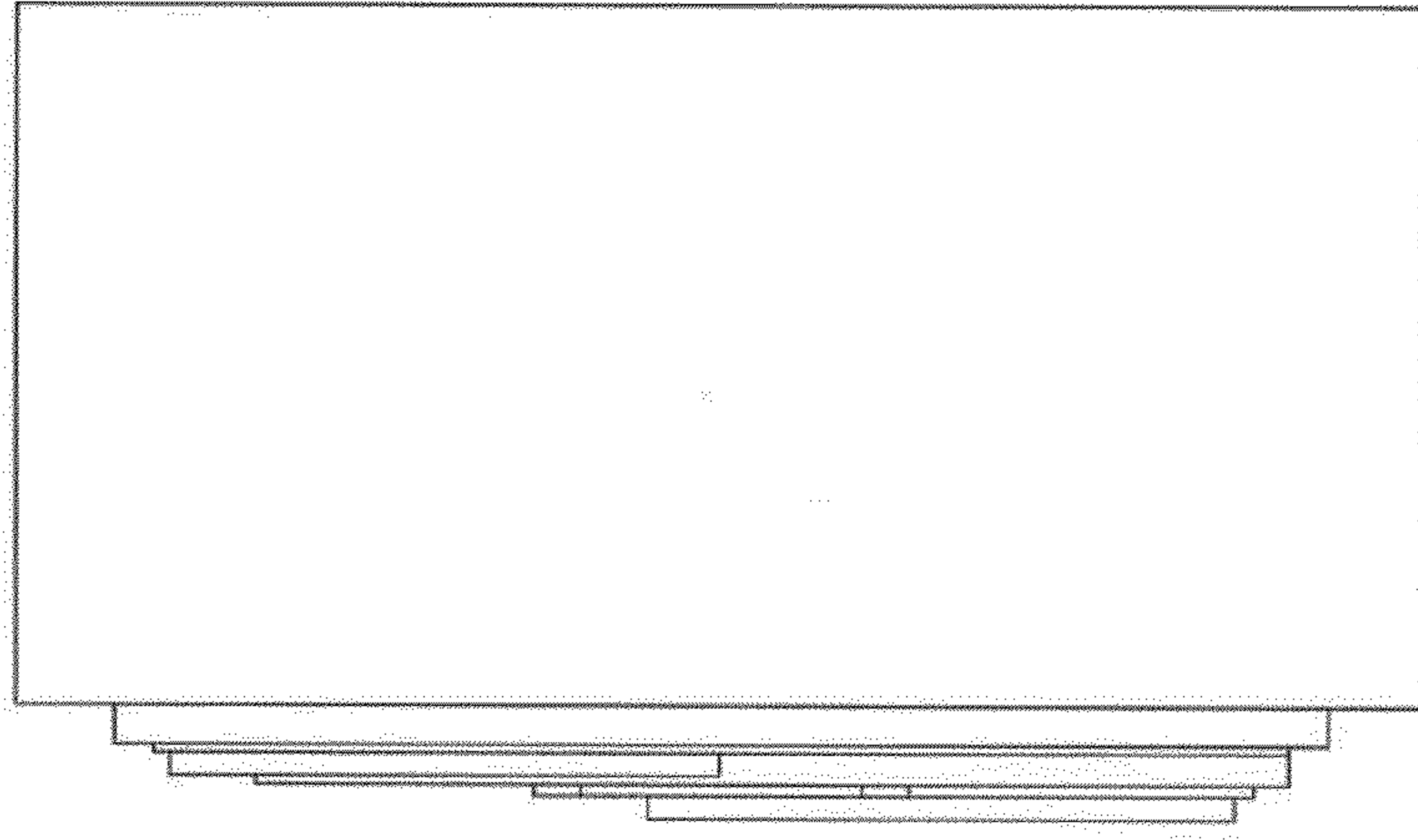


FIG. 7

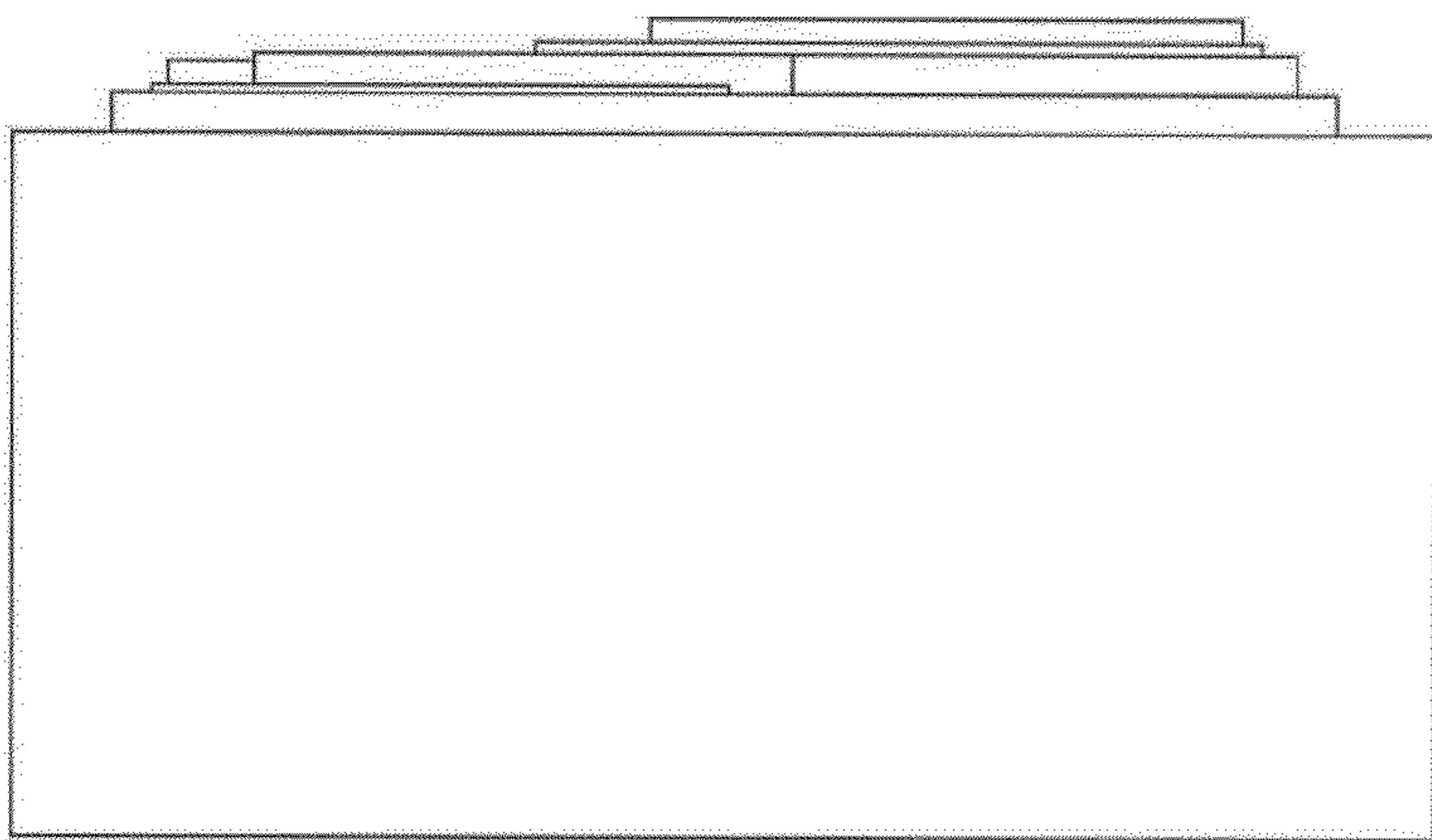


FIG. 8